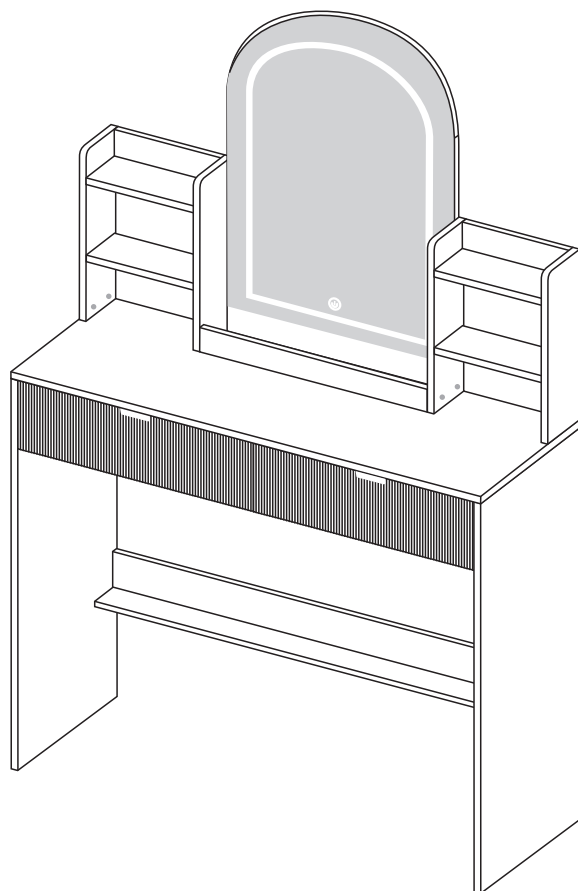


# Instruction Book

For specification:

77cm(L)x38cm(W)x133cm(H)



Foreword:

Thank you for choosing our product ! We hope you have a good shopping experience ! We aim to provide a 100% satisfaction product and customer service. If thereceived product has missing parts or components, arriveddamaged, dissatisfaction with the order, or hasquestions about the assemble, please do not hesitate tocontact us. Our customer service will reply within 12 hours.

Specifications:

Product name: Makeup Vanity Desk with Lights and Mirror

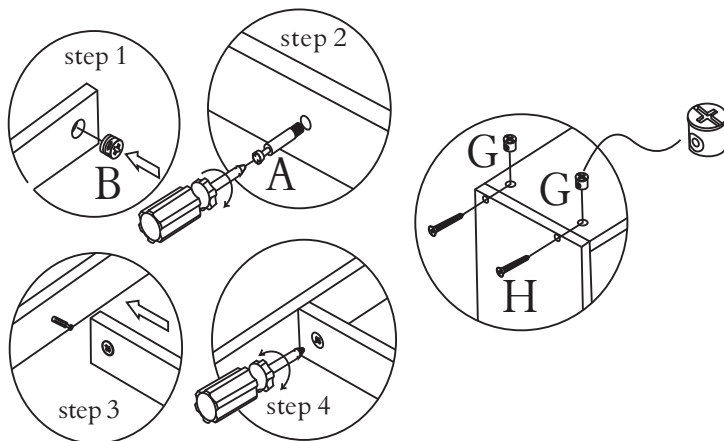
Package Dimension: 33.86x17.91 x7.28 in / 86×45.5×18.5cm

Product Size: 30.31 x14.96x 52.36in / 77 x 38x133 cm




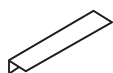



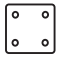







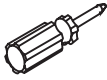
Weight: 46.30lb/21kg

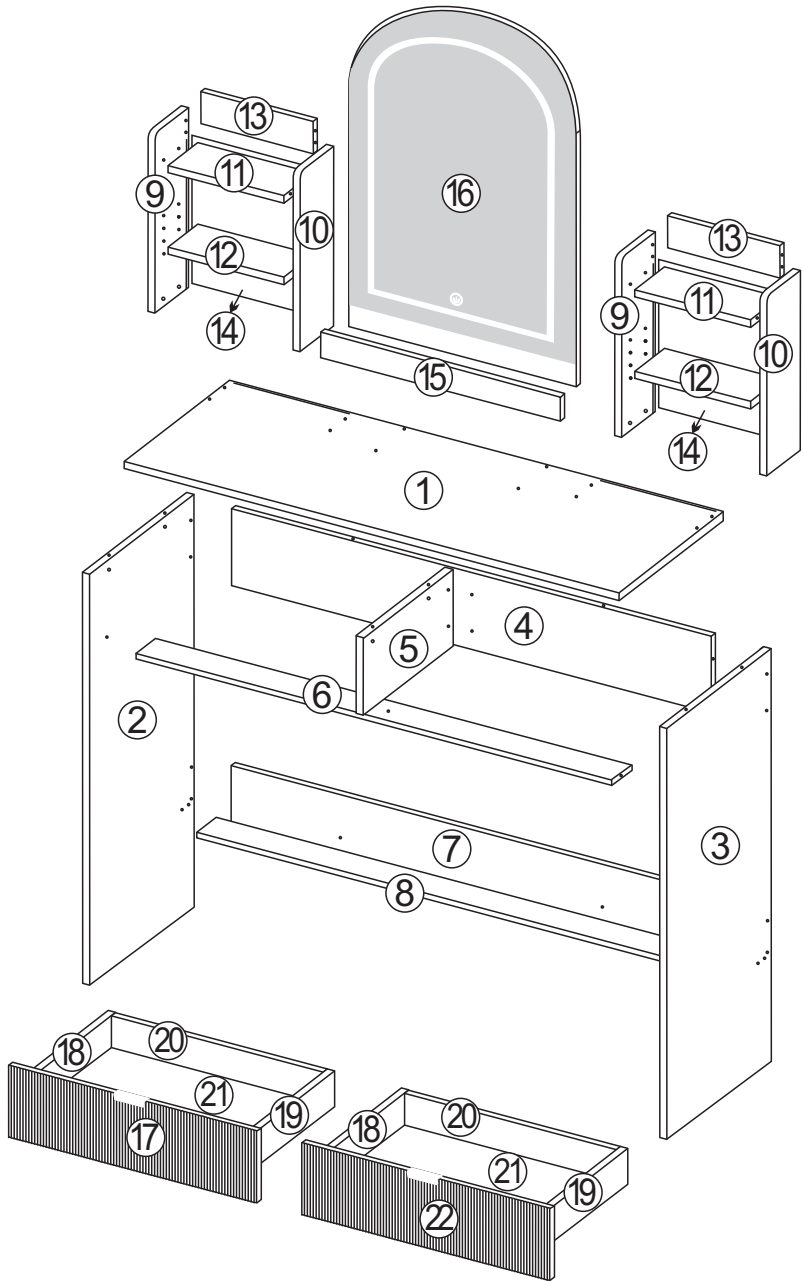
# 8608 Dressing Table

## A,B,G,H,GD installation guide



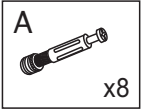
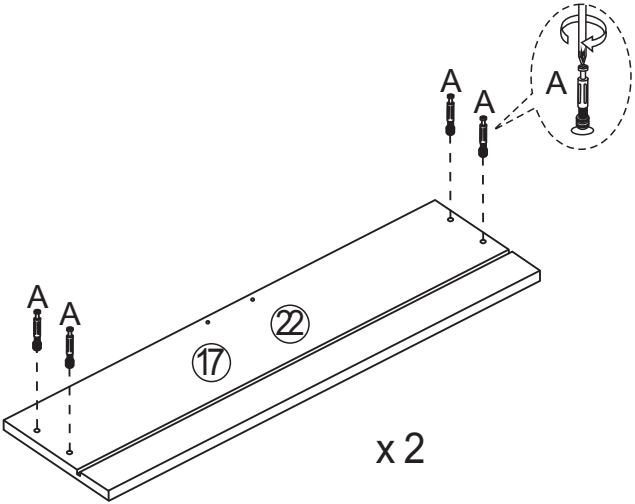
### Accessories

		 Three-in-one pole A*46	 Solid wheel B*46	 3.5*12 Small Screw D*28	 96-hole drawer handle E*2
 5 mm centre pin F*8	 Plastic Hammer G*14	 5*40 Chamfer self tapping H*14	 Iron sheet I*2	 Stool foot nail M*4	 3.5*30 Chamfer self tapping X*11
 Support Rail CR*2	 Support Rail CL*2	 Support Rail DR*2	 Support Rail DL*2	 hole patch adhesive K*8	 screwdriver Z*1

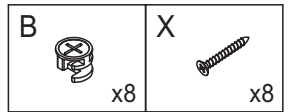
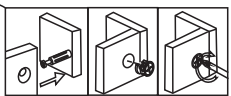
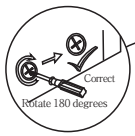
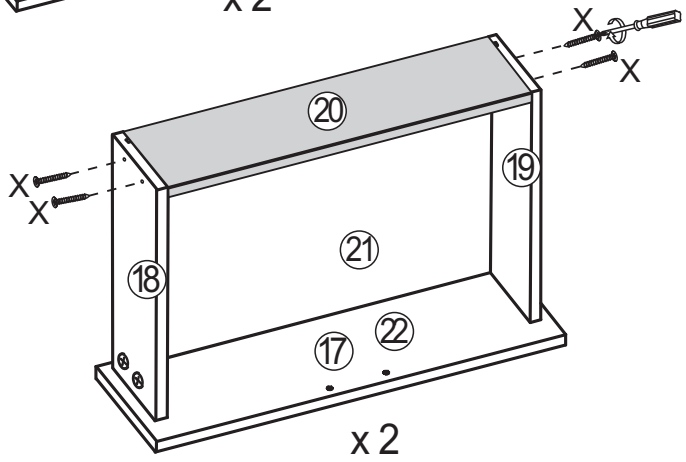
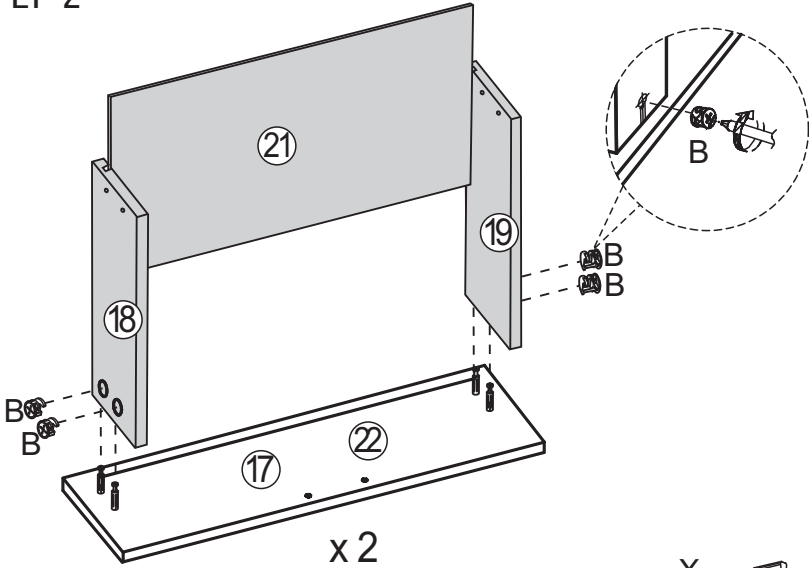


# STEP 1

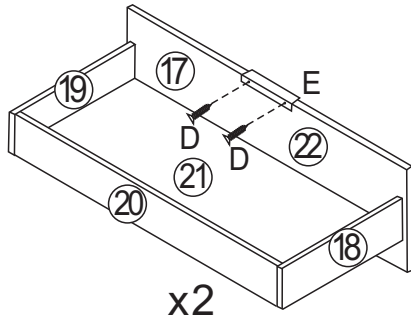
Place all the blue rubber sleeves into the reserved holes to ensure they are flush with the board surface, and then tighten the screws.



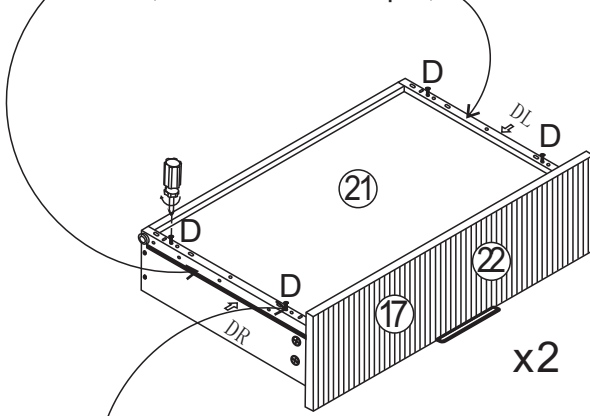
# STEP 2







# STEP 3



Note: All part DR and part DL should be installed at the BOTTOM of the drawers (As shown in the pic).

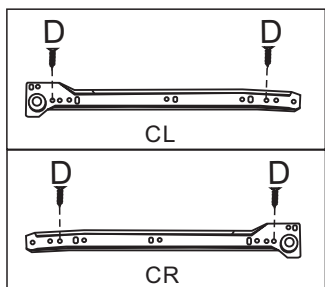
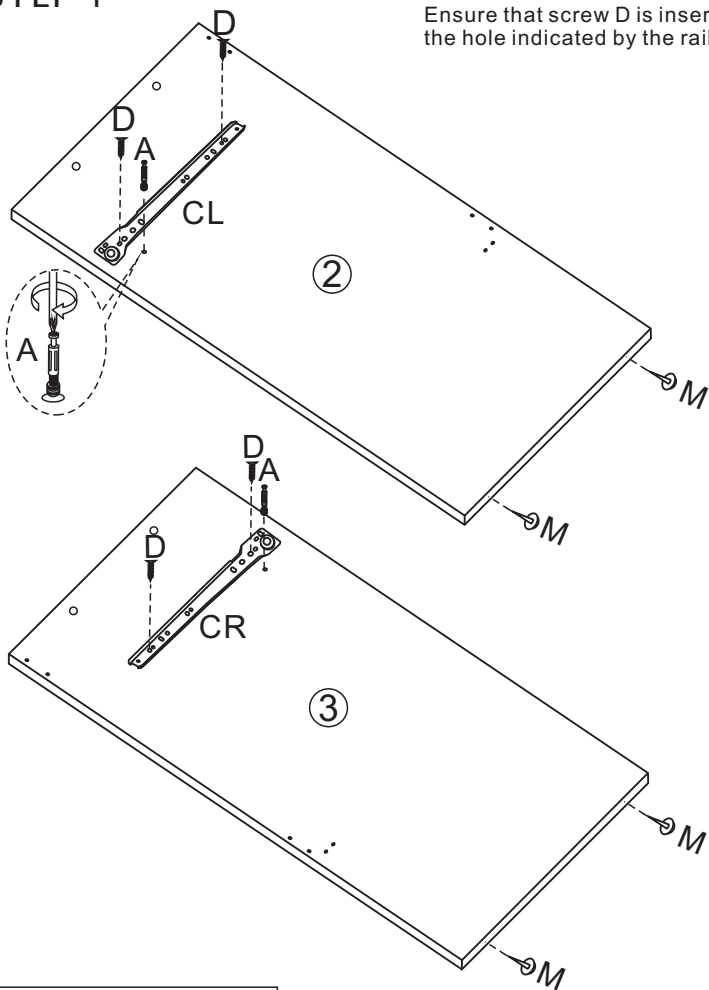







No pre-drilled holes for mounting screws; just install with self-tapping screws D

<p>D</p>  <p>x12</p>	<p>E</p>  <p>x2</p>
<p>DR</p>  <p>x2</p>	<p>DL</p>  <p>x2</p>

# STEP 4

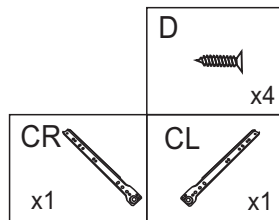
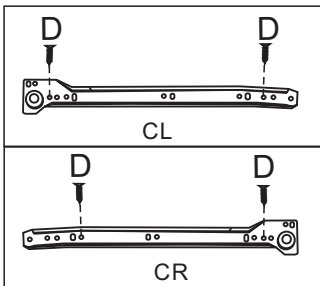
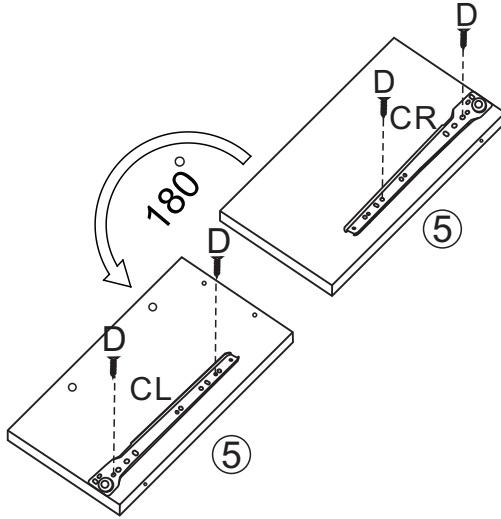
Ensure that screw D is inserted through the hole indicated by the rail (as shown)



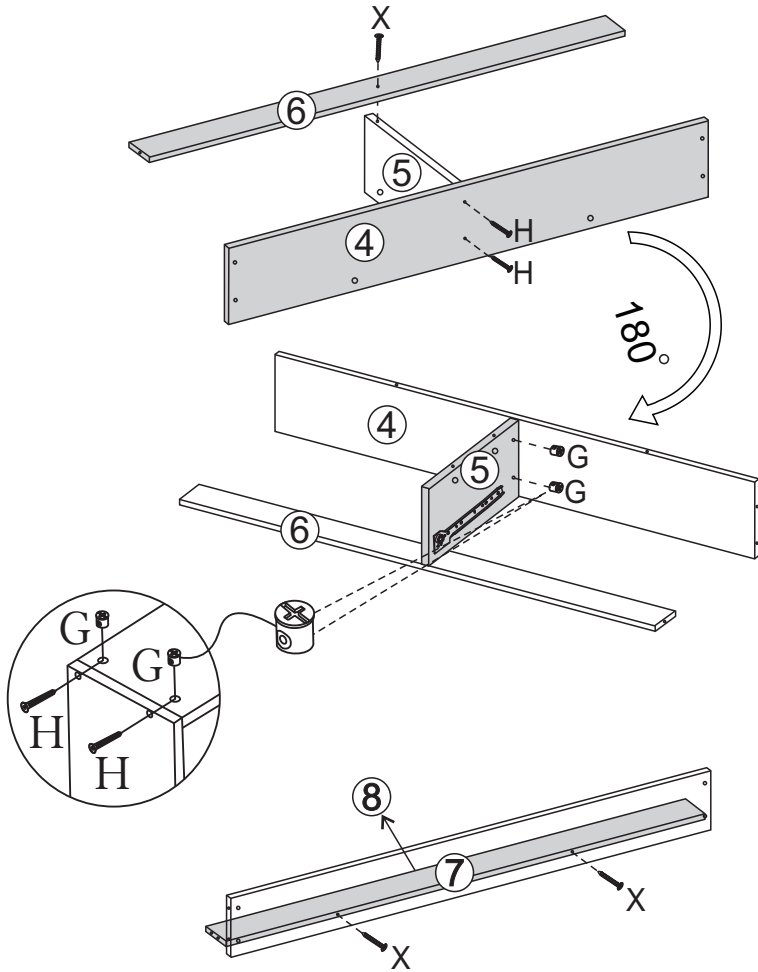
	 A x2	 D x4
 M x4	 CR x1	 CL x1




# STEP 5

Ensure that screw D is inserted through the hole indicated by the rail (as shown)

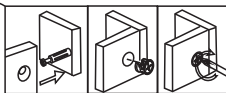
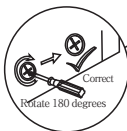
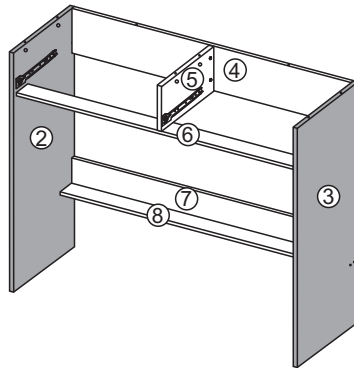
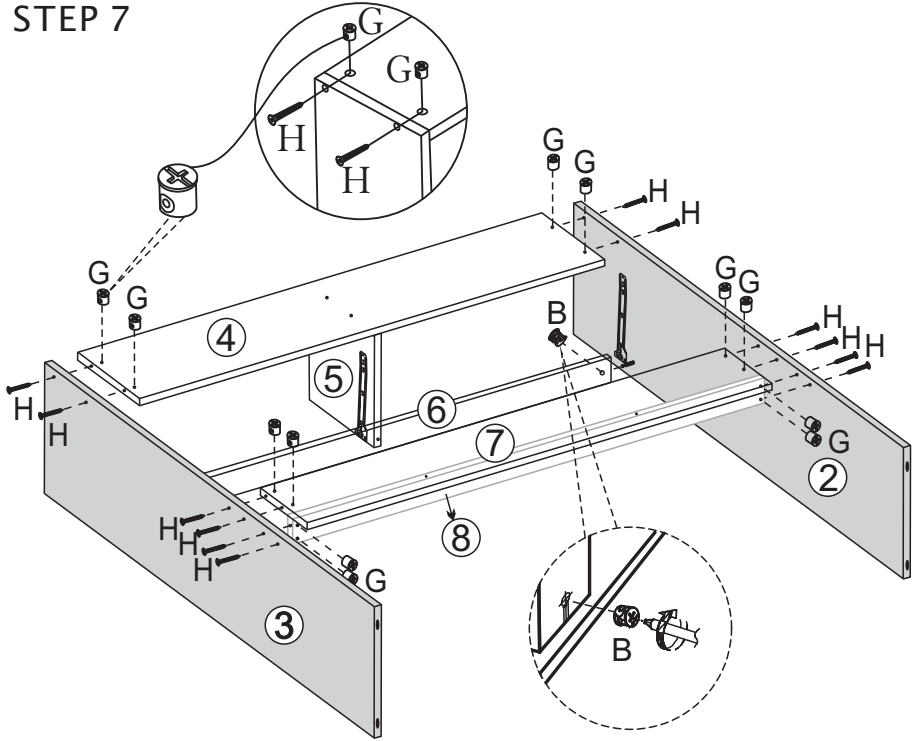





# STEP 6



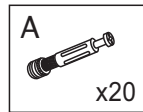
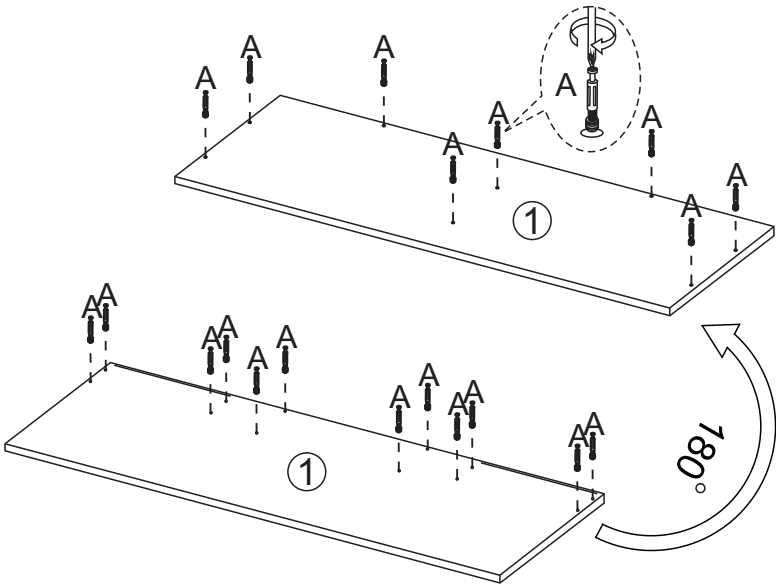
<b>G</b>  x2	<b>H</b>  x2	<b>X</b>  x3
---	---	---

# STEP 7

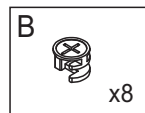
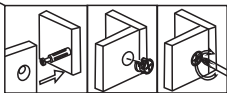
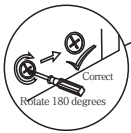
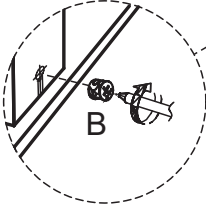
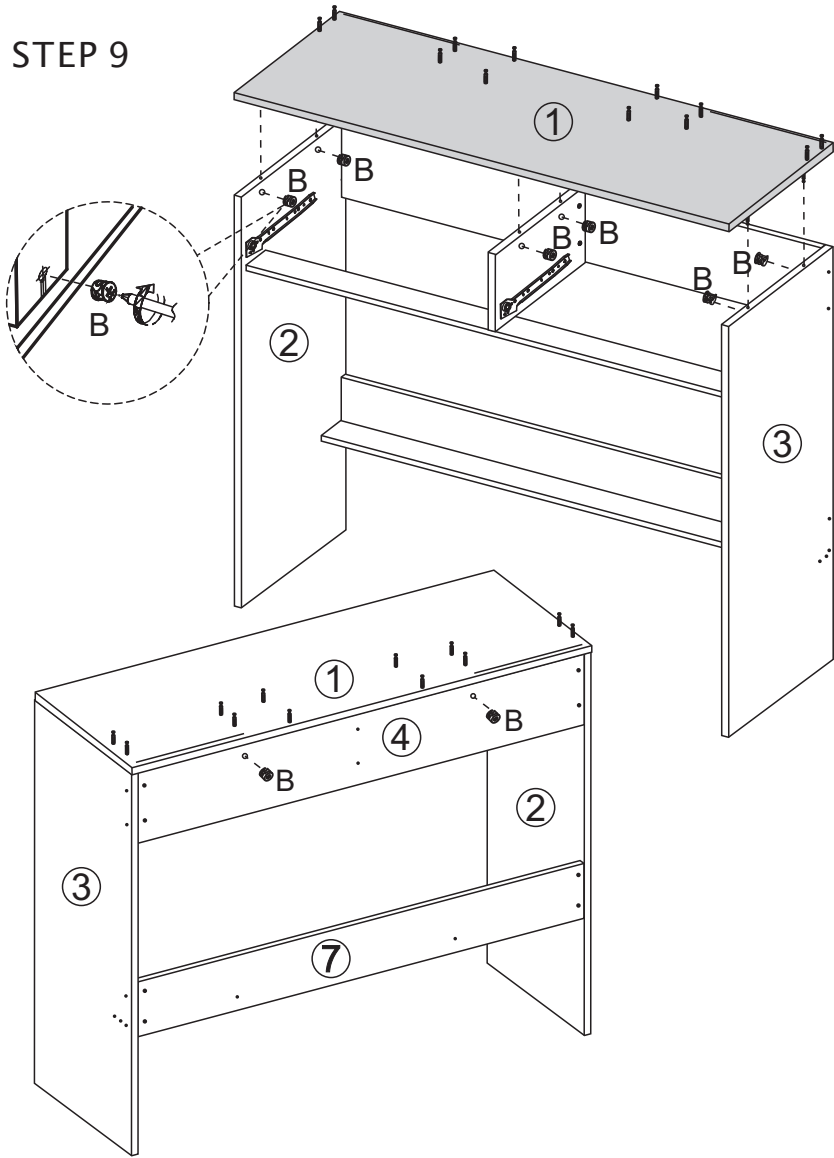


<p>G</p>  <p>x12</p>	<p>H</p>  <p>x12</p>	<p>B</p>  <p>x2</p>
---	---	--

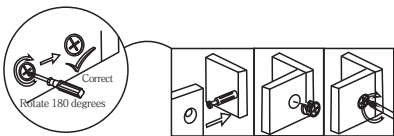
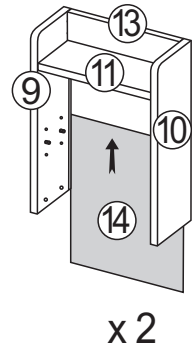
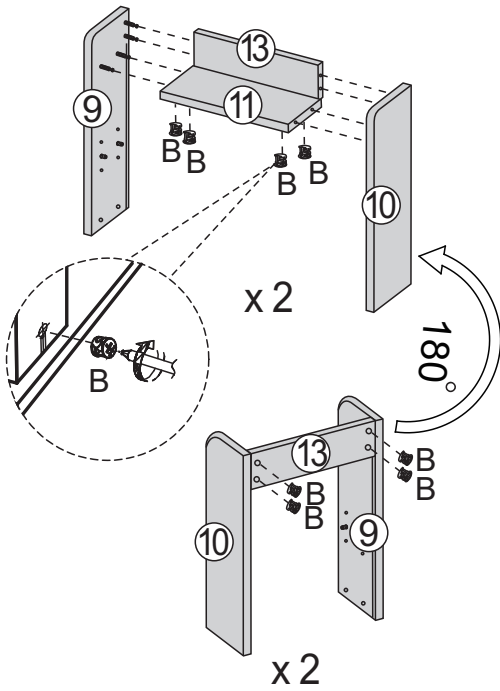
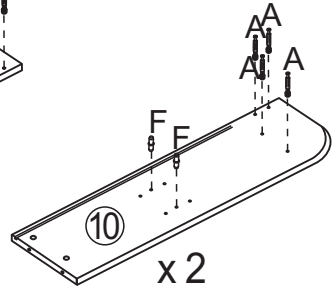
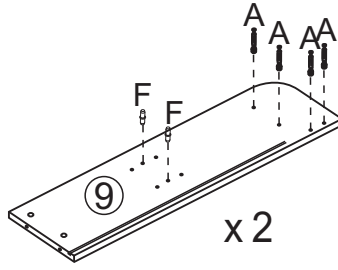
# STEP 8






# STEP 9

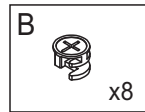
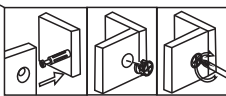
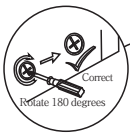
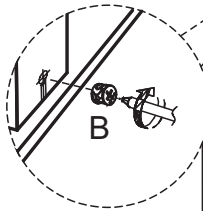
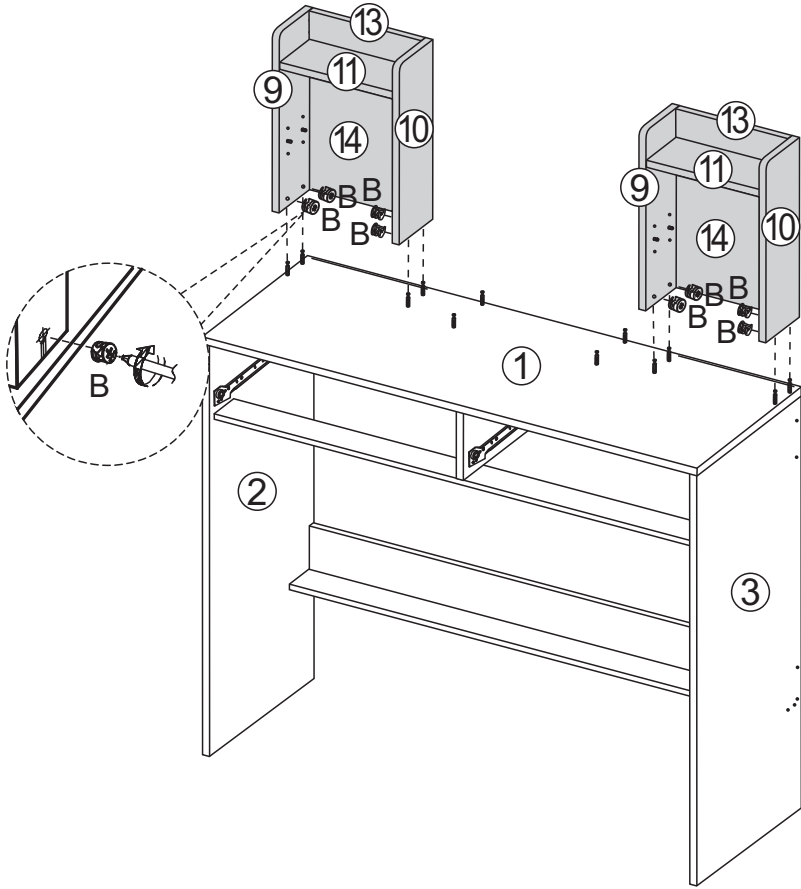


# STEP 10

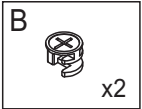
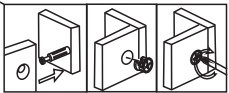
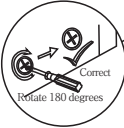
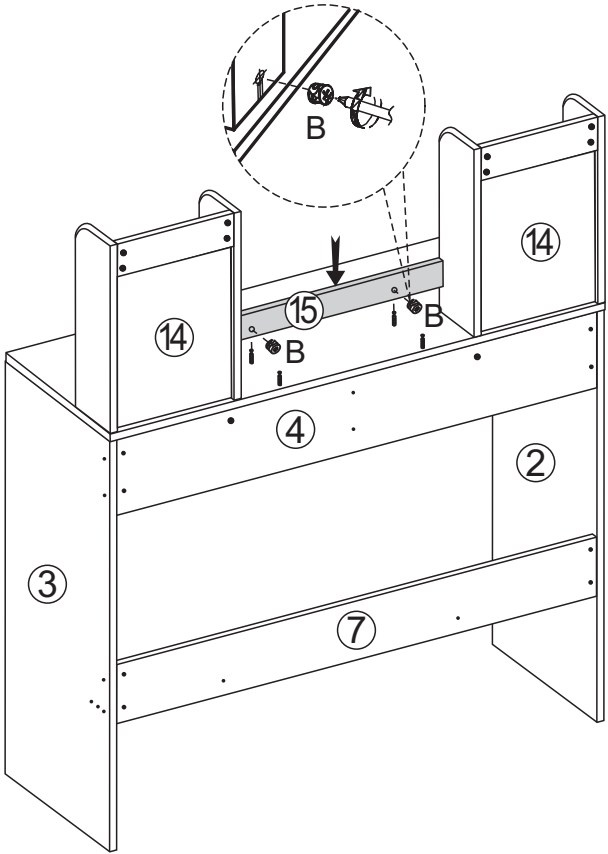


<p>A</p>  <p>x16</p>	<p>F</p>  <p>x8</p>
<p>B</p>  <p>x16</p>	

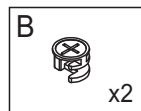
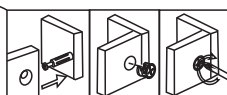
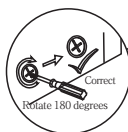
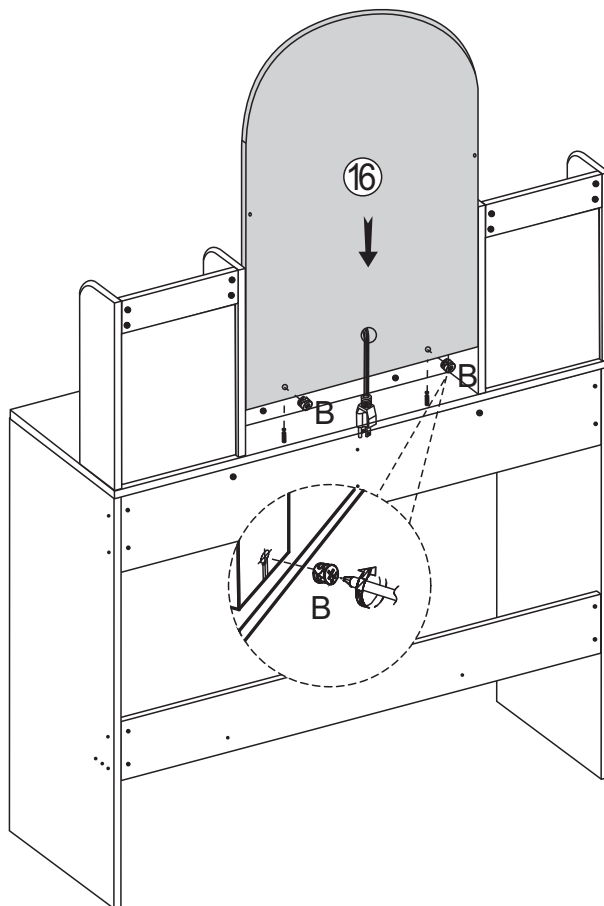
# STEP 11



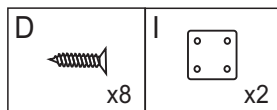
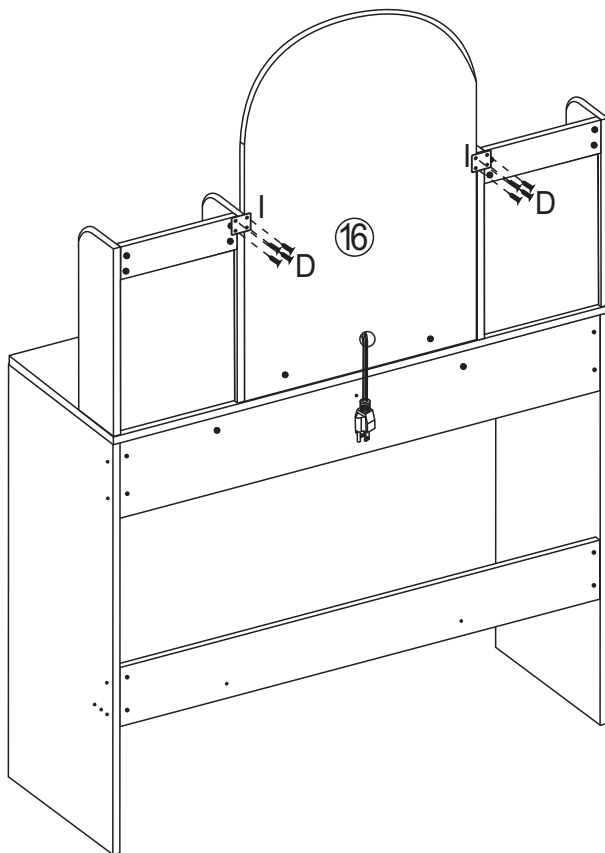
# STEP 12



# STEP 13



# STEP 14



# STEP 15

