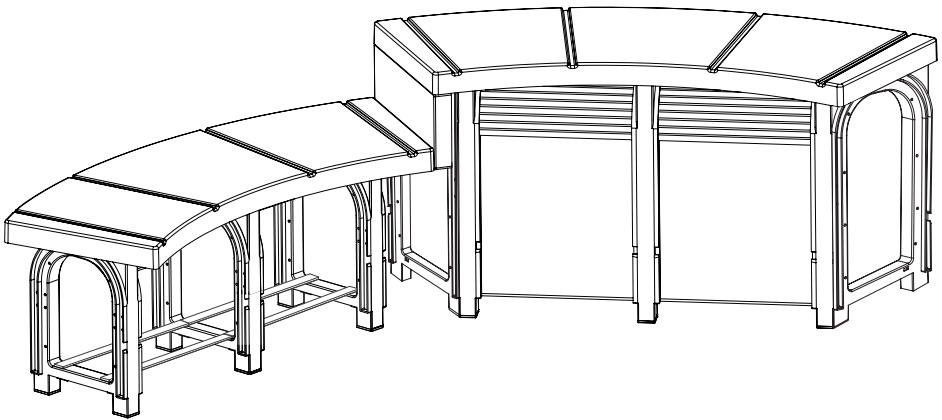




**SPA BENCH WITH STORAGE SET**

**SKU:75173**



## **ASSEMBLY AND USER'S GUIDE**

**⚠ DANGER**

**Read all safety warnings and instructions. Failure to follow the warnings and instructions may result in serious injury. Save all warnings and instructions for future reference.**



**THIS PAGE INTENTIONALLY LEFT BLANK**

# TABLE OF CONTENT

<b>IMPORTANT SAFETY INSTRUCTIONS</b> .....	<b>1</b>
<i>Legends and Symbols</i> .....	<b>2</b>
GENERAL SAFETY INFORMATION .....	<b>3</b>
<b>PRODUCT INFORMATION</b> .....	<b>4</b>
PACKAGE CONTENTS.....	<b>4-5</b>
OVERVIEW .....	<b>6</b>
INTRODUCTION .....	<b>6</b>
SPECIFICATION .....	<b>6</b>
<b>ASSEMBLY INSTRUCTIONS</b> .....	<b>7</b>
STEP 1 .....	<b>7</b>
STEP 2 .....	<b>8</b>
STEP 3 .....	<b>9</b>
STEP 4 .....	<b>10</b>
STEP 5 .....	<b>11</b>
STEP 6 .....	<b>12</b>
STEP 7 .....	<b>13</b>
STEP 8 .....	<b>14</b>
STEP 9 .....	<b>15</b>
<b>REPLACEMENT PARTS</b> .....	<b>16</b>
PARTS DIAGRAM & PARTS LIST .....	<b>16</b>
<b>DISCLAIMER</b> .....	<b>17</b>
<i>Disclaimer</i> .....	<b>17</b>
<i>Customer Service</i> .....	<b>17</b>

---

## CUSTOMER SERVICE

If you have any questions about ordering our pool pumps and replacement parts or other products, please feel free to contact us using the following contact information:

### ***Customer Service and Technical Support***

**Phone:** (909) 628-0880

**Email:** [customer@xtremepowerusa.com](mailto:customer@xtremepowerusa.com)

**Hours of Operation:** Monday – Friday, 9AM – 4PM (CST)

---

# IMPORTANT SAFETY INSTRUCTIONS

## IMPORTANT SAFETY INSTRUCTIONS

This guide provides instructions for installing and using the Spa Bench. If you have any questions about the equipment, please contact XtremepowerUS.

This guide contains important information about safely installing and operating this product. After installation, make sure to share this information with the owner/operator or leave it with them for their reference.

### *Legends and Symbols*

When you come across the safety-alert symbol on your equipment or in this manual, pay attention to the following signal words and remain vigilant about the potential for personal injury.



**DANGER:** Ignoring these hazards can result in death, severe personal injury, or significant property damage.



**WARNING:** Indicates potential hazards that can result in severe personal injury, death, or significant property damage. Ignoring these warnings presents a real danger.



**CAUTION:** Indicates potential hazards that can result in minor or moderate personal injury, property damage, or actions that are unpredictable and unsafe. Ignoring these cautions presents a potential hazard.



**NOTICE:** This label indicates important special instructions that are not directly related to hazards.

---

## USE OF NON-XTREMEPOWERUS REPLACEMENT PARTS VOIDS WARRANTY

**ATTENTION INSTALLER:** This manual contains vital information regarding the installation, operation, and safe use of this product. It is essential to provide this manual to the end user of the product. Failure to read and follow all instructions could lead to severe injuries.

---



Failure to comply with all instructions and warnings may lead to severe bodily injury or even death. For optimal safety and functionality, it is advisable to have the product installed and serviced by a certified service professional. Prior to using this product, installers, operators, and owners must carefully review these warnings and all instructions provided in the owner's manual. It is essential to leave these warnings and the owner's manual with the owner for their reference and safety.



For safety reasons, children should not be allowed to use this product. Packing materials and plastic bags are not toys. Keep them away from children to prevent the risk of suffocation.

# IMPORTANT SAFETY INSTRUCTIONS

## GENERAL SAFETY INFORMATION

### DANGER

- **Exceeding Weight Capacity:** Do not exceed the specified weight capacity of the bench. Doing so may result in the bench collapsing and causing serious injury or damage.
- **Storage of Hazardous Materials:** Never store flammable, toxic, or hazardous materials inside the storage compartment. These can cause fires, chemical exposure, or other life-threatening hazards.
- **Proper Use:** Follow the manufacturer's instructions for proper use.

### WARNING

- **Improper Assembly:** Failure to assemble the bench correctly may lead to structural instability, resulting in accidents or injuries. Always follow the manufacturer's assembly instructions.
- **Placement on Slippery Surfaces:** Do not place the bench on slippery or uneven surfaces. This could cause it to slide or tip over, posing a risk of injury.
- **Damaged Components:** If any part of the bench is cracked or broken, discontinue use immediately. Using damaged components may lead to sudden failure and potential harm.
- **Child Safety:** Always supervise children near the bench. Children should not climb or play on the bench to avoid tipping, falls, or entrapment in the storage compartment.
- **Weather Considerations:** Exposure to extreme weather (e.g., prolonged rain, direct sunlight, or snow) can weaken the equipment, leading to unexpected failures during use.

### CAUTION

- **Slippery Surfaces:** Wet areas around the pool may become slippery. Ensure users wear non-slip footwear and avoid running near the pool to prevent falls.
- **Regular Maintenance:** Periodically inspect the bench for signs of wear, cracks, or loose components. Neglecting maintenance can result in reduced durability and potential safety risks.
- **Sharp or Heavy Items in Storage:** Avoid storing sharp or excessively heavy objects in the storage compartment. These can damage the plastic and reduce the lifespan of the bench.
- **Avoid Standing on the Bench:** Do not stand, jump, or apply excessive force on the bench, as it is not designed to support such use. This can cause damage or injury.
- **Exposure to Extreme Temperatures:** Protect the bench from prolonged exposure to extreme heat or freezing conditions, which can warp or crack the plastic material.
- **Avoid Standing on the Bench:** Do not stand, jump, or apply excessive force on the bench, as it is not designed to support such use. This can cause damage or injury.
- **Regular Maintenance:** Periodically inspect the bench for signs of wear, cracks, or loose components. Neglecting maintenance can result in reduced durability and potential safety risks.
- **Lifting Precautions:** Use proper lifting techniques when moving the cart manually. Improper lifting could lead to strain or minor injuries.

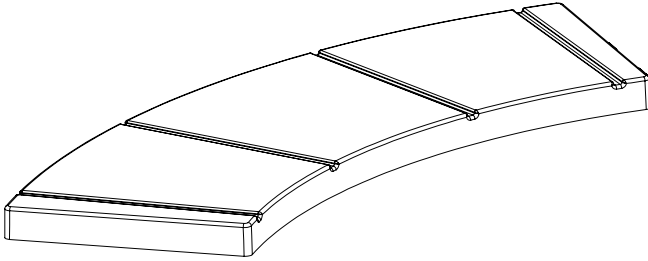
### NOTE

- **Pre-Use Inspection:** Reconfirm that all bolts, screws, and knobs are properly secured before every use. Conduct routine checks to ensure continued safety and reliability.
- **Equipment Lifespan:** To prolong the lifespan of the equipment, rinse it with fresh water after exposure to pool chemicals and dry it thoroughly before storage.
- **Instruction Retention:** Retain these instructions for future reference to ensure proper assembly, maintenance, and safe usage.

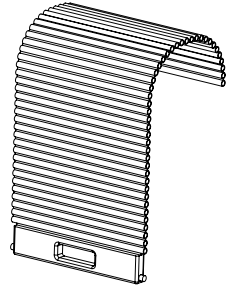
# PRODUCT INFORMATION

## PACKAGE CONTENTS

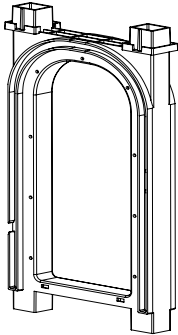
### PARTS



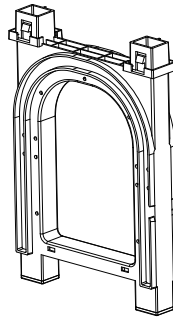
**P75173-1**  
**BENCH PANEL**  
2 PC(S)



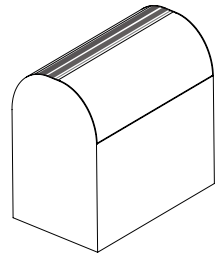
**P75173-4**  
**ROLLING SHUTTER**  
2 PC(S)



**P75173-2**  
**TALL PANEL LEG**  
3 PC(S)



**P75173-3**  
**SHORT PANEL LEG**  
3 PC(S)

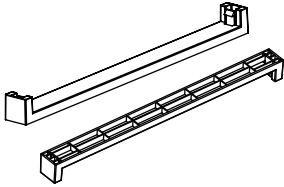


**P75173-5**  
**TARP STORAGE**  
**BAG**  
2 PC(S)

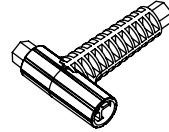
# PRODUCT INFORMATION

## PACKAGE CONTENTS

### PARTS



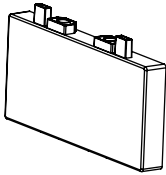
**P75173-6**  
**RETAINING PLATE**  
8 PC(S)



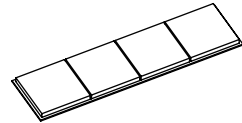
**P75173-11**  
**SPANNER**  
1 PC(S)



**P75173-9**  
**SCREW**  
6 PC(S)



**P75173-7**  
**CONNECTING PLATE**  
1 PC(S)



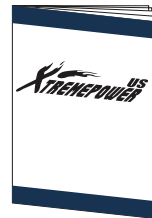
**P75173-12**  
**SILICON GASKET**  
3 PC(S)



**P75173-10**  
**FIXED BUCKET**  
40 PC(S)



**P75173-8**  
**FIXED BLOCK**  
2 PC(S)

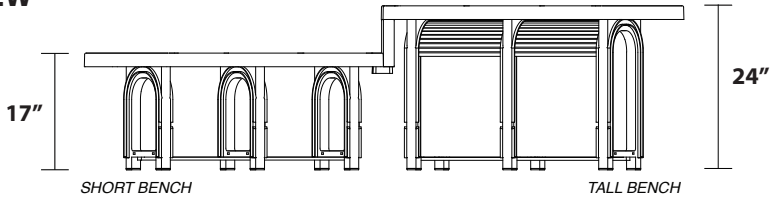


**INSTRUCTION**  
**MANUAL**

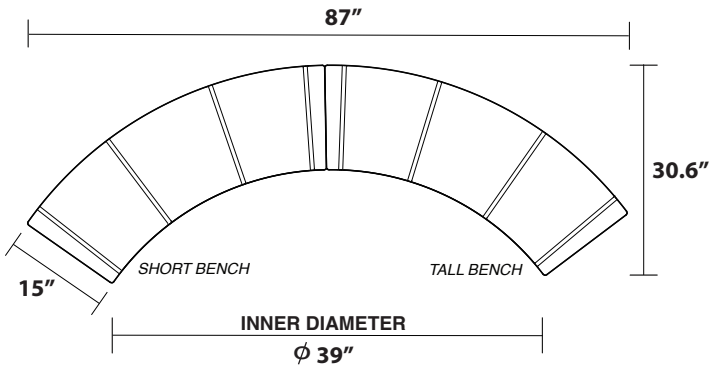
# PRODUCT INFORMATION

## OVERVIEW (PRODUCT INFORMATION)

### SIDE VIEW



### TOP VIEW



## INTRODUCTION

The XtremepowerUS Spa Bench with Storage is a versatile and functional addition to any outdoor setting, seamlessly combining style, convenience, and practicality. Thoughtfully designed to complement outdoor relaxation areas, this bench not only provides a comfortable seating solution but also offers ample storage space for towels, spa accessories, and other essentials, ensuring an organized and clutter-free environment.

## SPECIFICATIONS

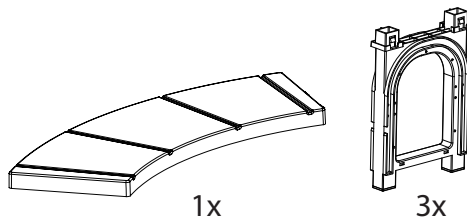
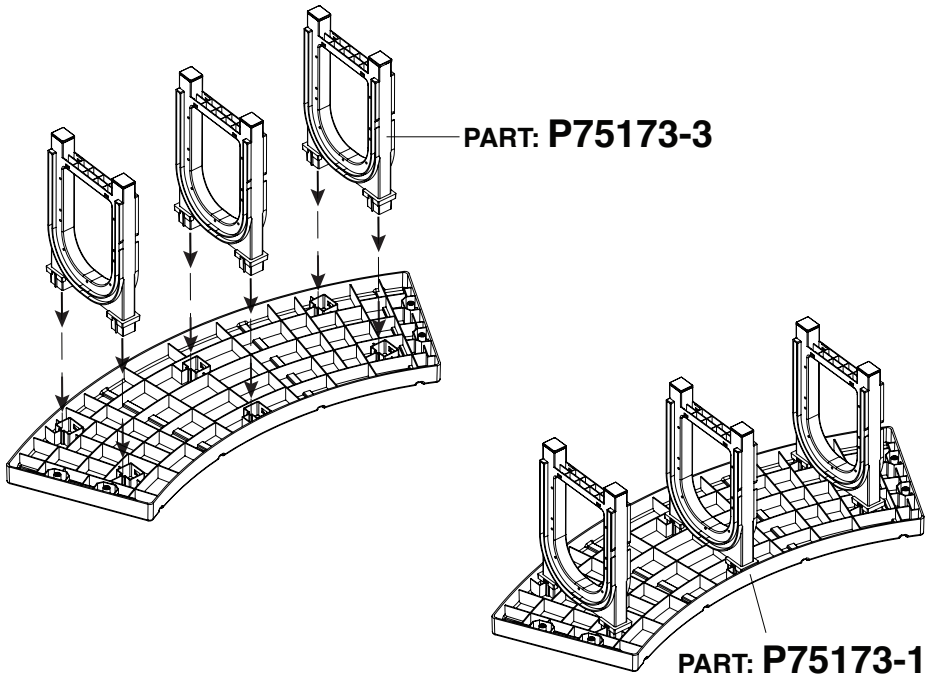
MODEL	75173
DIMENSION	87 x 30.6 x 24 INCH
PRODUCT WEIGHT	37.3 LBS
MATERIAL	POLYETHYLENE
WEIGHT CAPACITY	400 LBS -EACH BENCH

# ASSEMBLY

## ASSEMBLY INSTRUCTION

### STEP 1

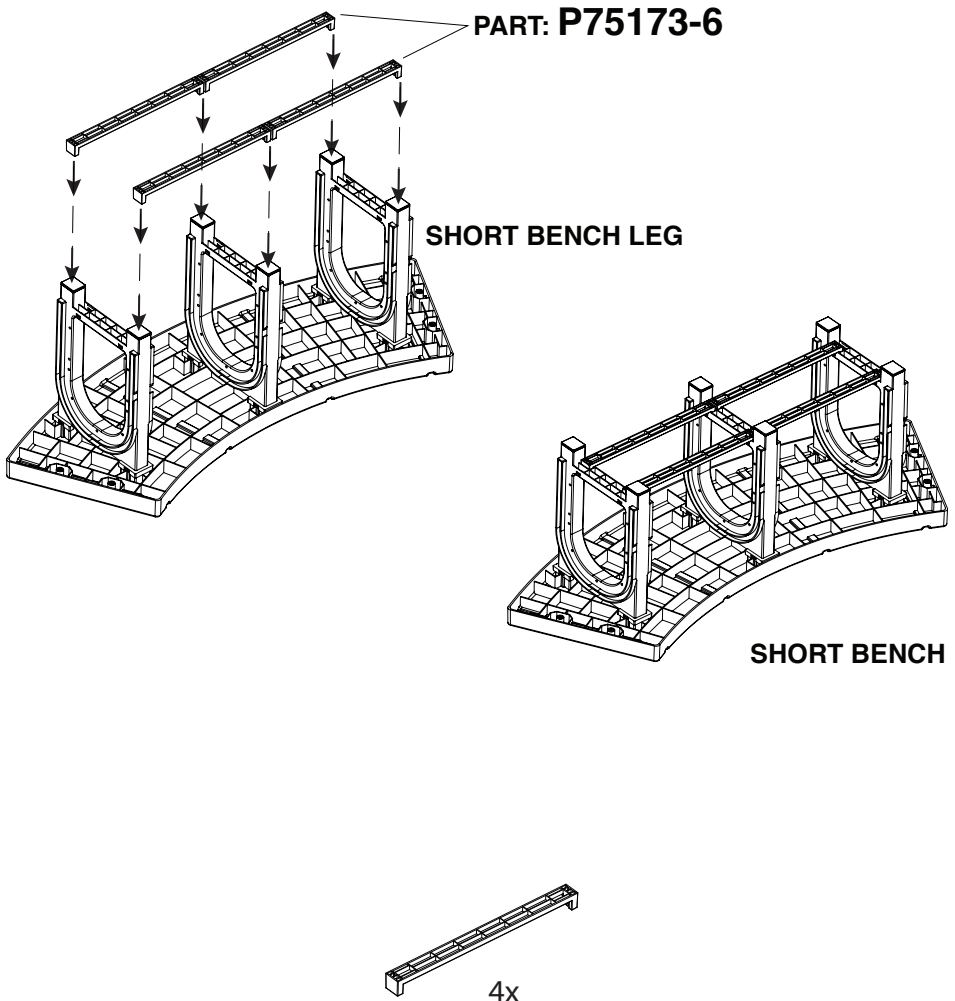
Attach PART: P75173-1 and PART: P75173-3. Align the installation ports of the SHORT BENCH LEG with the square grooves on the BENCH PANEL. Insert the ports of the SHORT BENCH LEG into the BENCH PANEL grooves, ensuring a secure fit.



# ASSEMBLY

## STEP 2

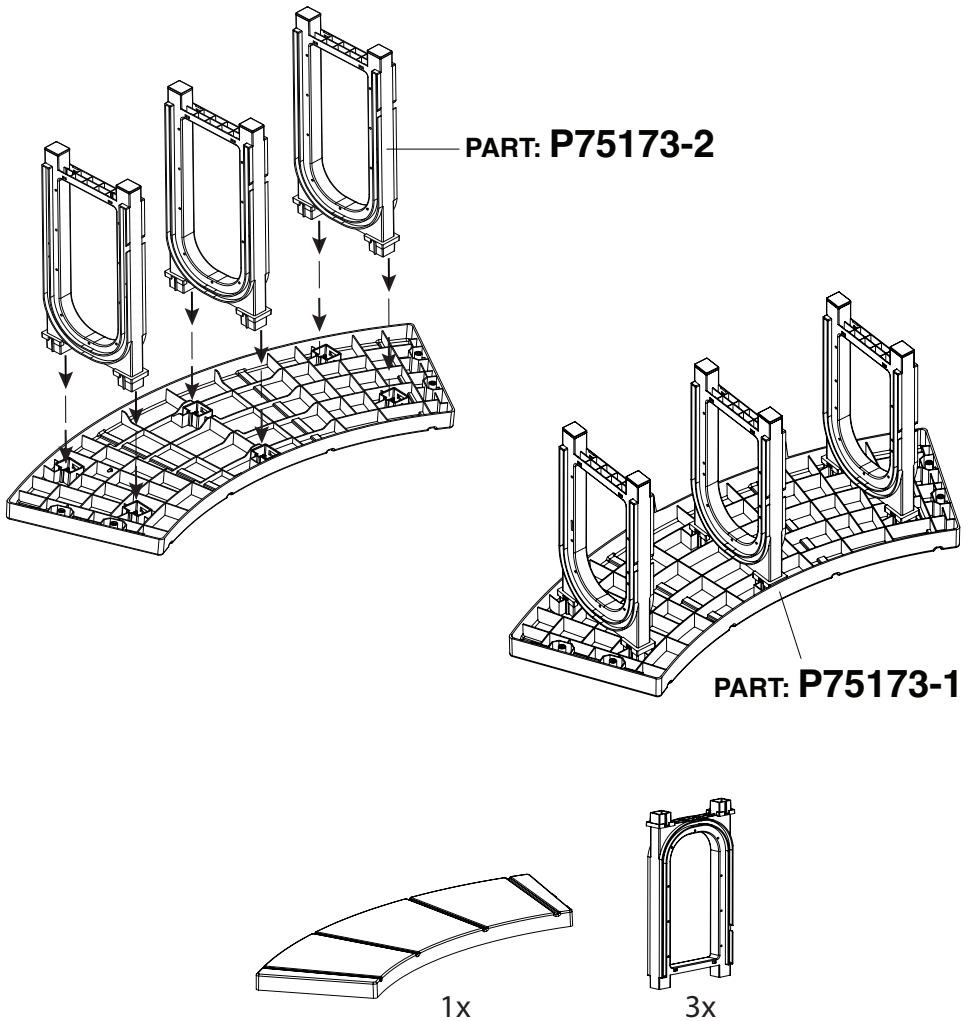
Attach PART: P75173-6 to the bottom of the SHORT BENCH LEG. Insert the port of the RETAINING PLATE into the groove of the BENCH LEG. Repeat the same process for all three RETAINING PLATE, ensuring each is securely attached.



# ASSEMBLY

## STEP 3

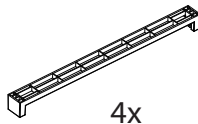
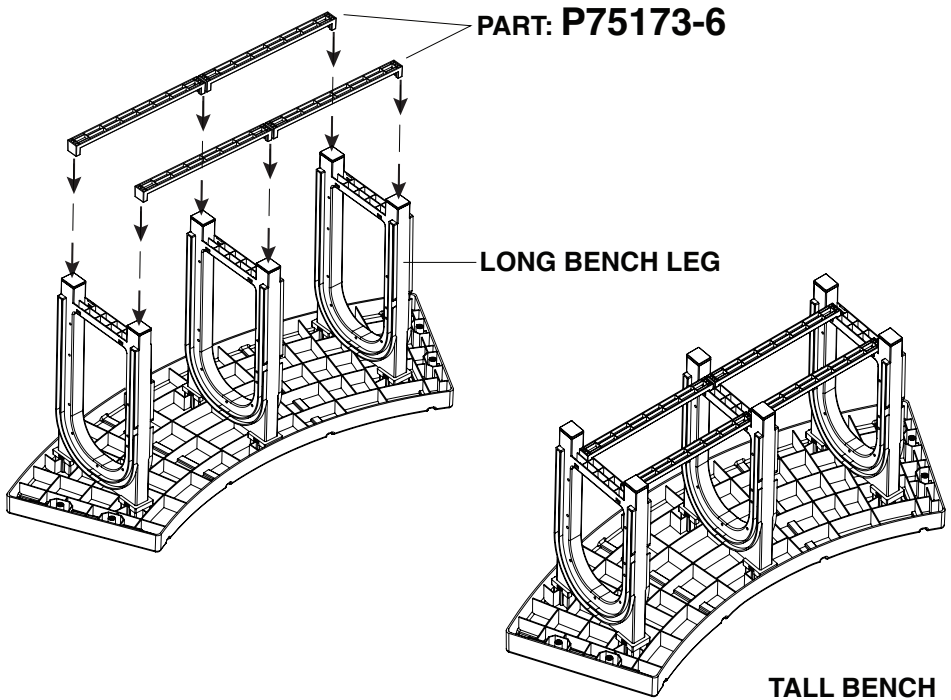
Attach PART: P75173-1 and PART: P75173-2. Align the installation ports of the LONG BENCH LEG with the square grooves on the BENCH PANEL. Insert the ports of the LONG BENCH LEG into the BENCH PANEL grooves, ensuring a secure fit.



# ASSEMBLY

## STEP 4

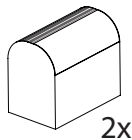
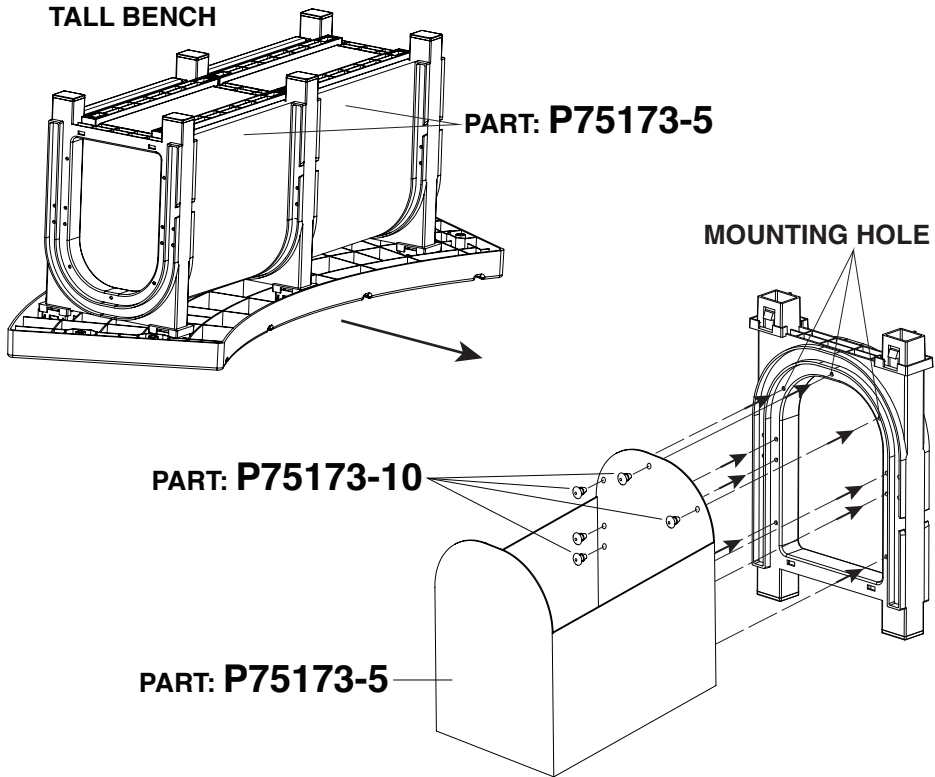
Attach PART: P75173-6 to the bottom of the LONG BENCH LEG. Insert the port of the RETAINING PLATE into the groove of the BENCH LEG. Repeat the same process for all three RETAINING PLATE, ensuring each is securely attached.



# ASSEMBLY

## STEP 5

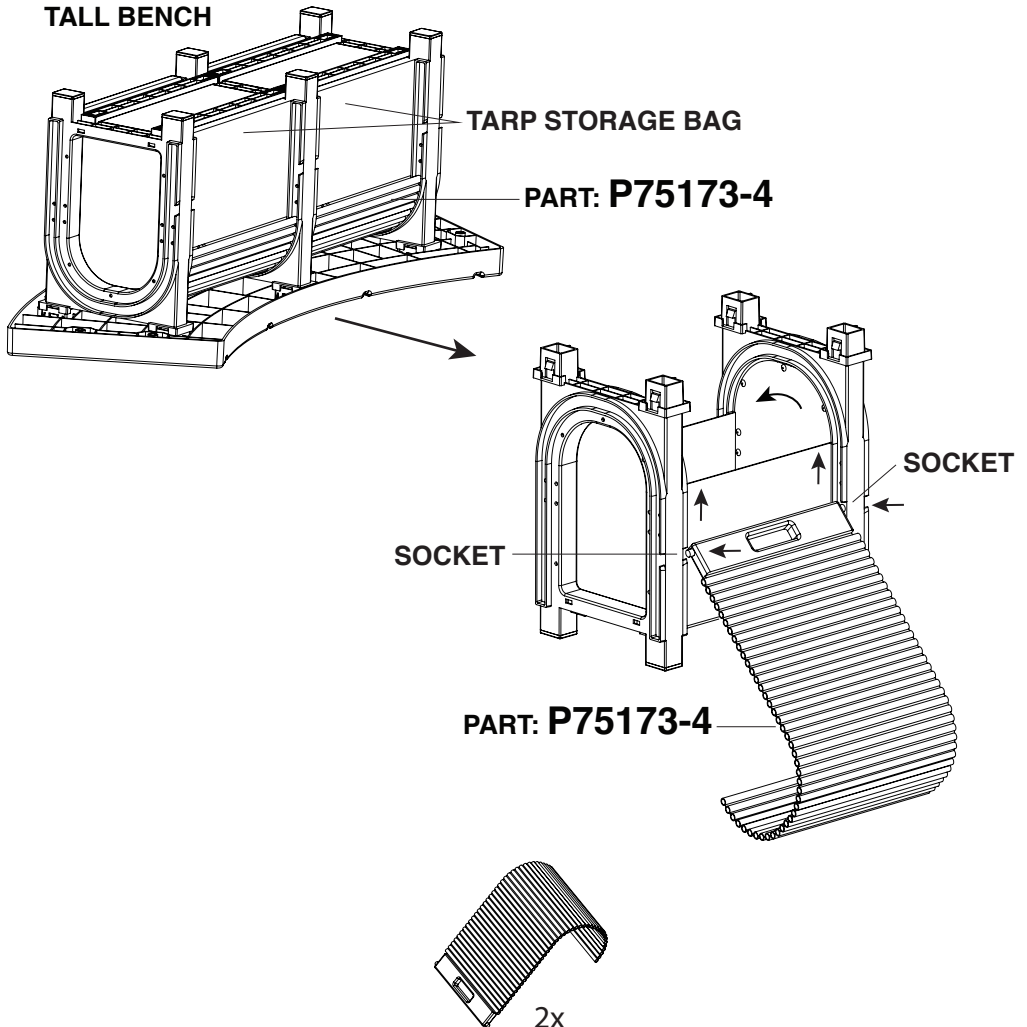
Attach PART: P75173-5 between the LONG BENCH LEGS. Secure it by placing PART: P75173-10 over the mounting hole, and then connect the part to the assembly. Repeat the same process for the second TARP STORAGE BAG, ensuring proper positioning.



# ASSEMBLY

## STEP 6

Insert PART: P75173-4 along the socket and roll it into the curtain, aligning it with the groove track. Repeat the same process for the second TARP STORAGE BAG, ensuring proper positioning.

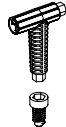
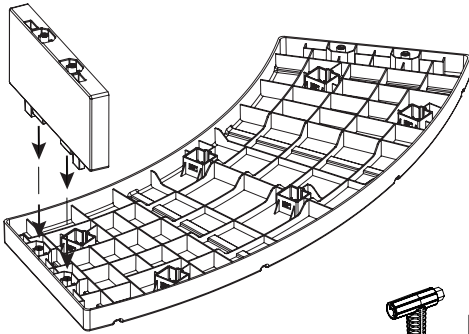


# ASSEMBLY

## STEP 7

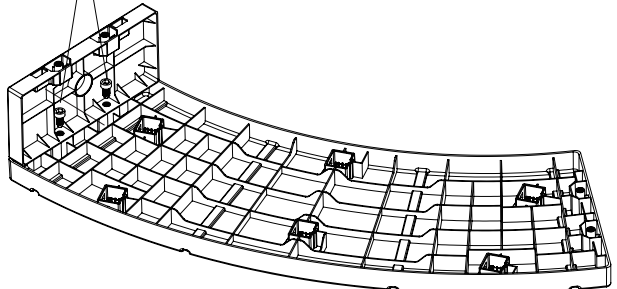
Align PART: P90143-7 to one end of the BENCH PANEL. Use TOOL: P74173-11 to secure it on the BENCH PANEL with PART: P75173-9.

**PART: P75173-7**

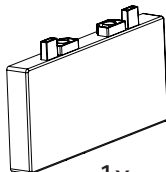


**PART: P75173-11**

**PART: P75173-9**



**TALL BENCH PANEL**



1x



2x

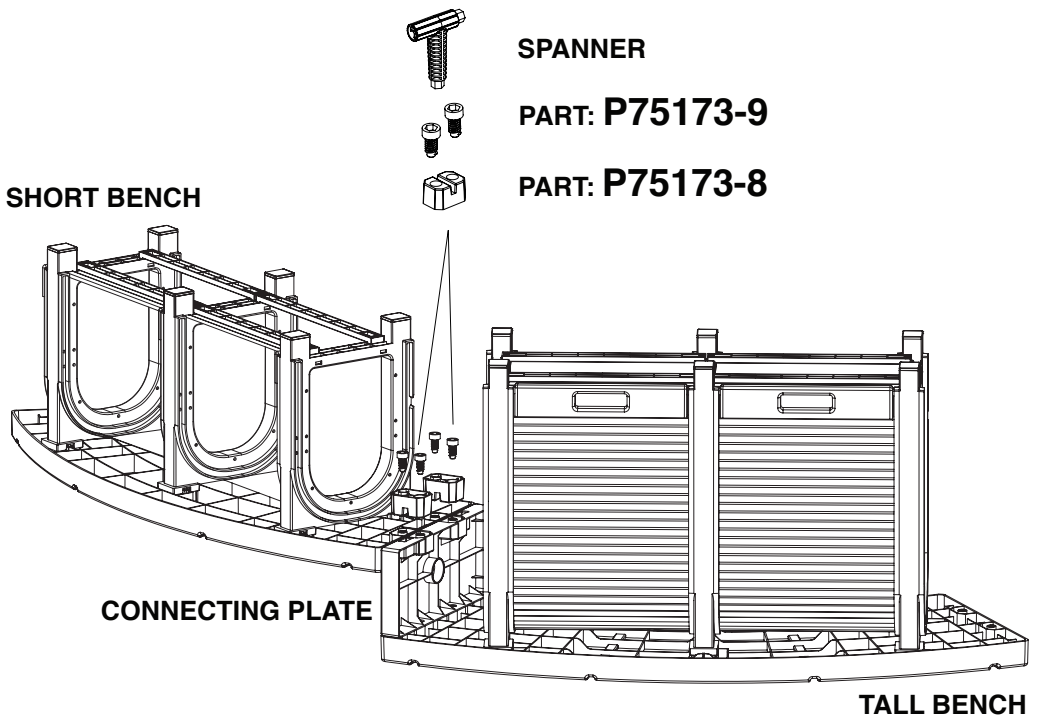


1x

# ASSEMBLY

## STEP 8

Attach the **CONNECTING PLATE** to the other end of the **BENCH PANEL** to connect both **BENCH PANELS**. Secure the connection by using **PART: P75173-8** and **PART: P75173-9**, tightening them firmly with the **SPANNER** to ensure stability.



2x

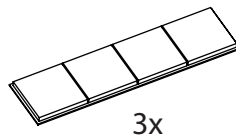
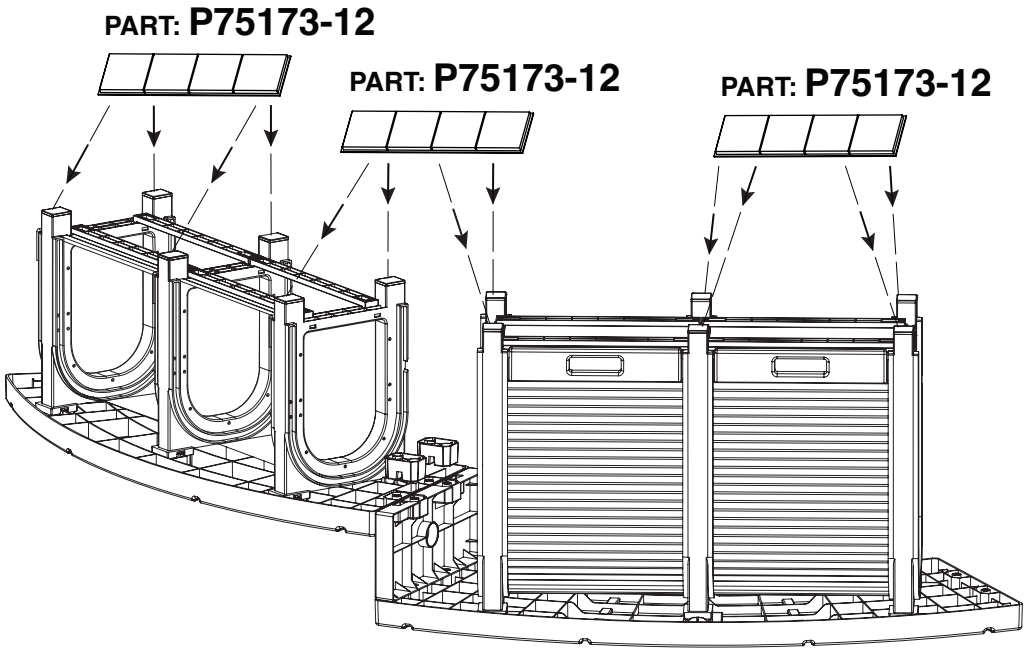


4x

# ASSEMBLY

## STEP 9

Attach PART: P75173-12 to the bottom of each LEG. Ensure a secure fit by aligning the parts properly and pressing firmly into place.

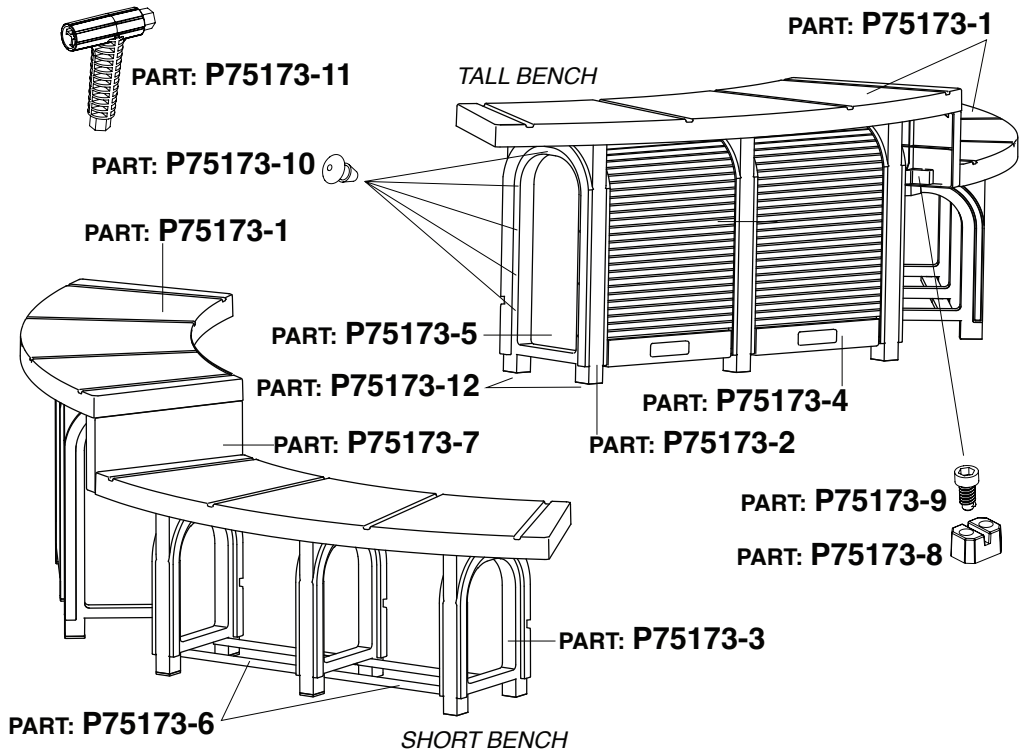


# REPLACEMENT PARTS

## REPLACEMENT PARTS

### PARTS DIAGRAM / PARTS LIST

PART	PART NO.	DESCRIPTION	QTY
P75173-1	47155201080	BENCH PANEL	2
P75173-2	47155202080	TALL PANEL LEG	3
P75173-3	47155203080	SHORT PANEL LEG	3
P75173-4	47155204973	ROLLING SHUTTER	2
P75173-5	5760229000	TARP STORAGE BAG	2
P75173-6	47155206080	RETAINING PLATE	8
P75173-7	47155205080	CONNECTION PLATE	1
P75173-8	47155207080	FIXED BLOCK	2
P75173-9	47155209080	SCREW	6
P75173-10	47155210080	FIXED BUCKLES	40
P75173-11	47155211001	SPANNER	1
P75173-12	5760102080	SILICONE GASKET	3



# DISCLAIMER

## DISCLAIMER

### ***PLEASE READ THE FOLLOWING CAREFULLY***

---

The manufacturer and/or distributor have provided the parts list and assembly diagram in this manual for reference purposes only. They do not make any representation or warranty to the buyer that they are qualified to make repairs to the product or replace any parts of the product. In fact, the manufacturer and/or distributor expressly state that all repairs and parts replacements should be undertaken by certified and licensed technicians, and not by the buyer.

The buyer assumes all risk and liability arising from their repairs to the original product or replacement parts or arising from their installation of replacement parts. It is strongly advised that qualified professionals handle any repairs or replacements to ensure safety and proper functioning of the product. Improper installation and operation may result in injury, property damage, or voiding of warranty. The manufacturer and/or distributor shall not be held responsible for any accidents, damages, or malfunctions resulting from the buyer's installation and operation of the product. It is essential to follow all safety guidelines and recommendations provided in this manual and to seek professional assistance if unsure about the installation or operation procedures.

---

## CUSTOMER SERVICE

If you have any questions about ordering our pool pumps and replacement parts or other products, please feel free to contact us using the following contact information:

### ***Customer Service and Technical Support***

**Phone:** (909) 628-0880

**Email:** [customer@xtremepowerusa.com](mailto:customer@xtremepowerusa.com)

**Hours of Operation:** Monday – Friday, 9AM – 4PM (CST)

---