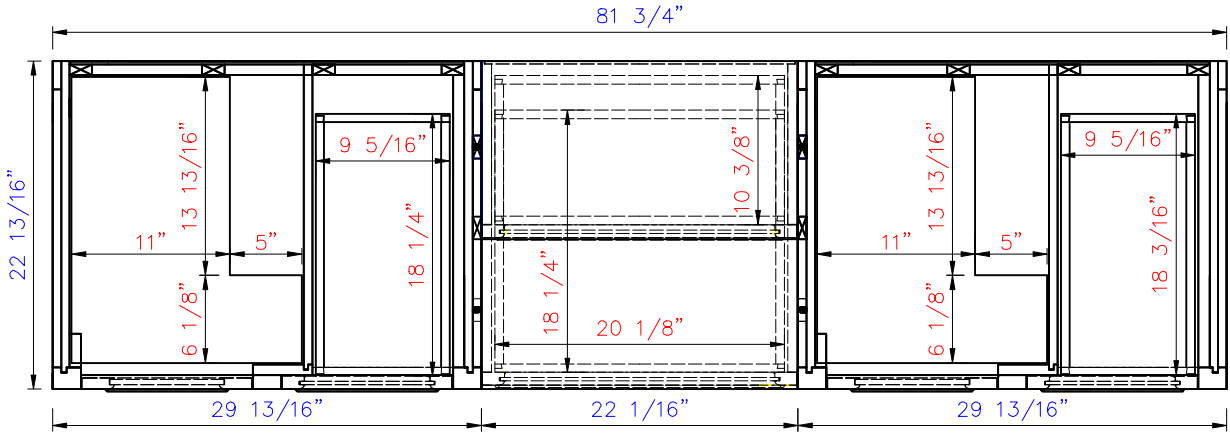


81 3/4"

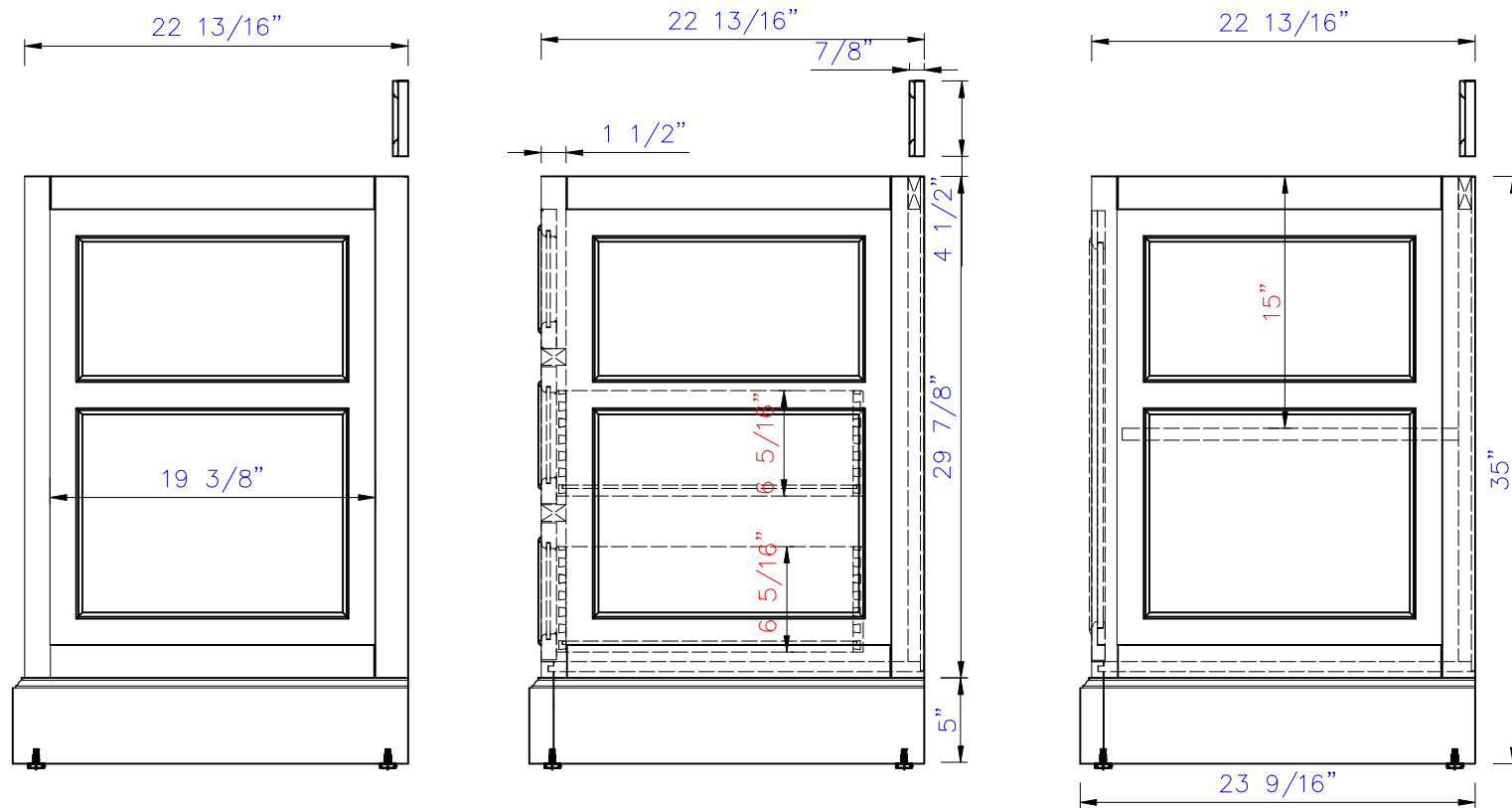


NOTE ONE: Countertops are not shown in these diagrams .(Cabinet Only)

NOTE TWO: Internal Shelves (Shown) are designed to align with sinks in the Optional Countertops
Customers' own countertops and sinks may align differently, and modification may be required.

81 3/4"

Diagrams with Dimensions
page 03 of 03



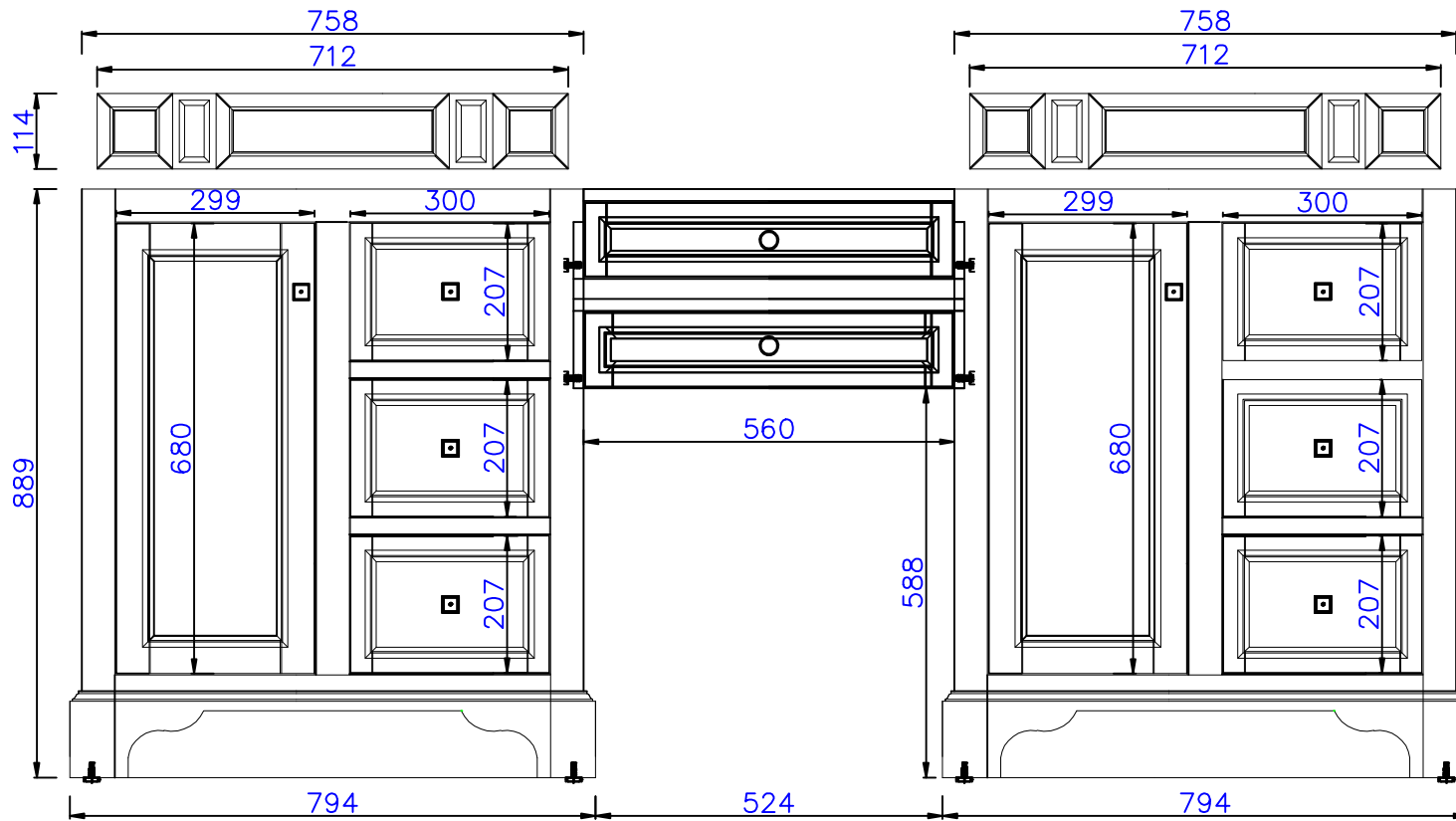
NOTE ONE: Countertops are not shown in these diagrams .(Cabinet Only)

NOTE TWO: Wood Backsplash (Shown) is designed for the molding detail to align with sinks in the Optional Countertops.

Customers' own countertops and sinks may align differently.

Version: 201906

2076mm

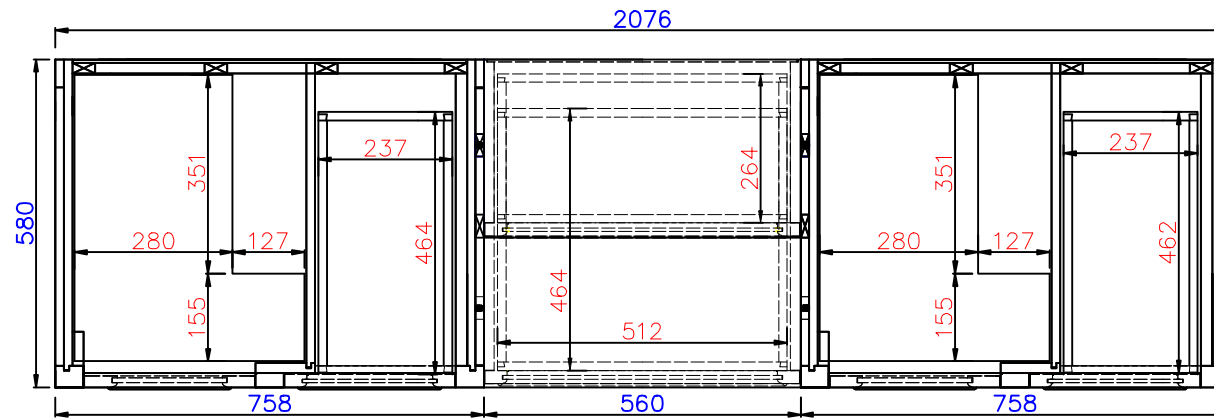


NOTE ONE: Countertops are not shown in these diagrams .(Cabinet Only)

NOTE TWO: Wood Backsplash (Shown) is designed for the molding detail to align with sinks in the Optional Countertops.

Customers* own countertops and sinks may align differently.

2076mm

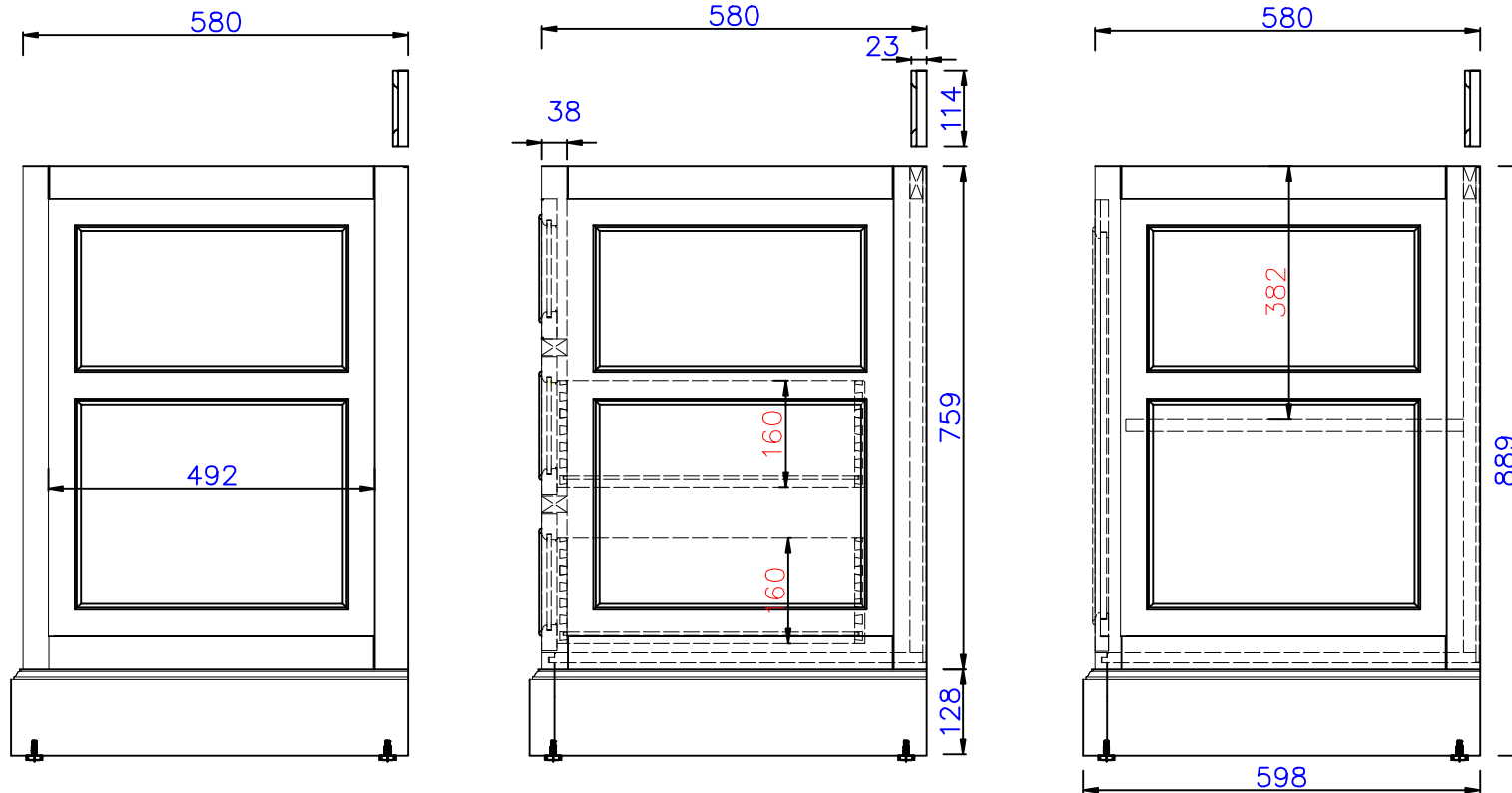


NOTE ONE: Countertops are not shown in these diagrams .(Cabinet Only)

NOTE TWO: Internal Shelves (Shown) are designed to align with sinks in the Optional Countertops. Customers' own countertops and sinks may align differently, and modification may be required.

2076mm

Diagrams with Dimensions
page 03 of 03



NOTE ONE: Countertops are not shown in these diagrams .(Cabinet Only)

NOTE TWO: Wood Backsplash (Shown) is designed for the molding detail to align with sinks in the Optional Countertops.

Customers' own countertops and sinks may align differently.

Version: 201906