












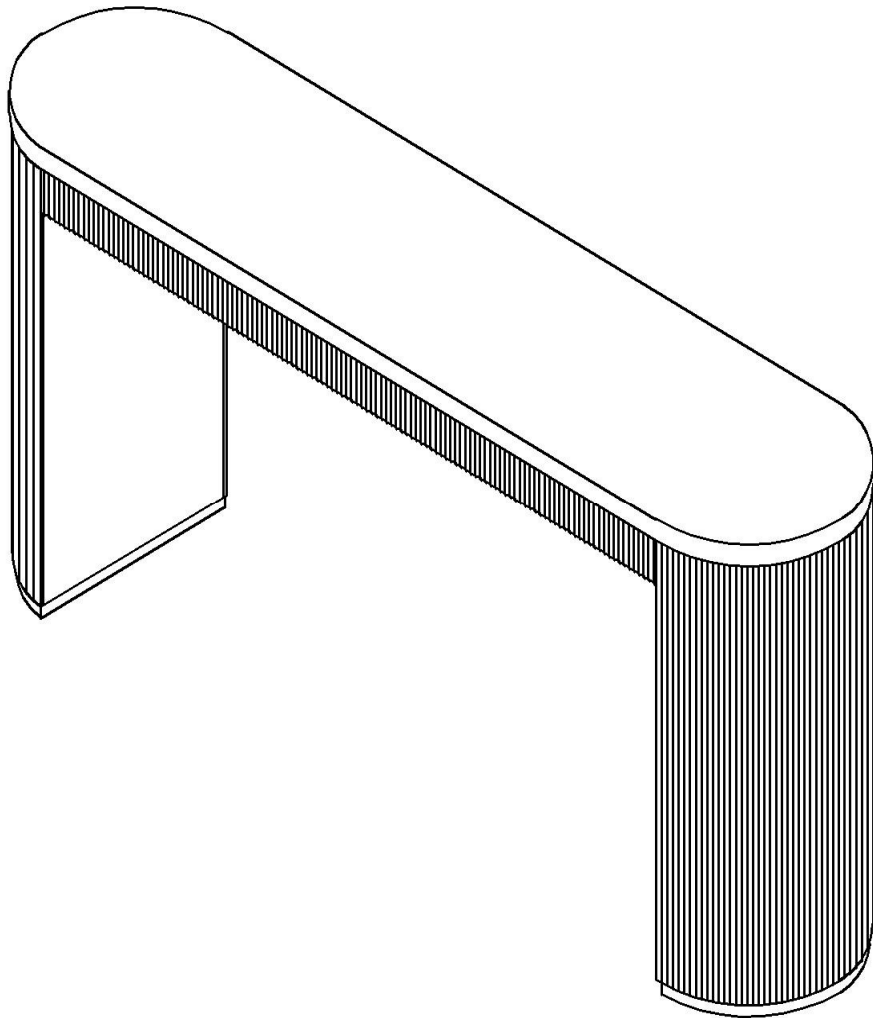
# Assembly Instructions

**Caution : You must read this before you proceed**

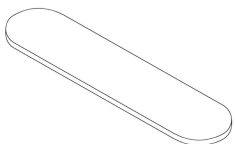
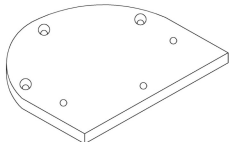
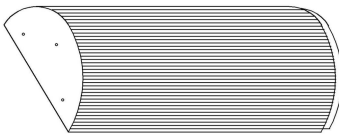
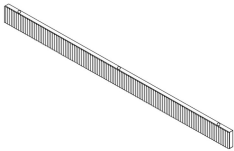
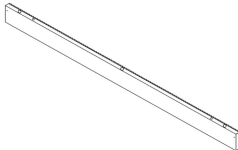
## Care & Maintenance

- ⊘  ● Not for commercial use. For residential use only.
- ✓  ● Furniture may scratch floors. We recommend using furniture pads to protect your floors.
- ⊘  ● Do not put hot items directly on furniture surface.
- ⊘  ● Do not clean furniture with harsh cleansers or polish.
- ⊘  ● Do not place furniture under direct sunlight.
- ⊘  ● Do not place furniture near heating or cooling vents.
- ⊘  ● Do not write on furniture without a padded barrier to protect the surface.
- ⊘  ● Do not place furniture outside . For indoor use only.
- ⊘  ● Stains may be removed with mild soap solution and damp cloth.
- ⊘  ● Children should not climb or jump on the furniture.
- ✓  ● Dust and pick-up spills using a clean, non-colored, lint-free cloth.




# COUNTER TABLE

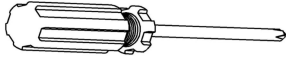
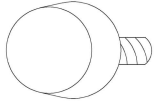


## Parts List

Label	Picture	Description	QTY
A		Table Top	1
B		Pallet	2
C		Foot bucket	2
D		Standing water	1
E		Standing water	1

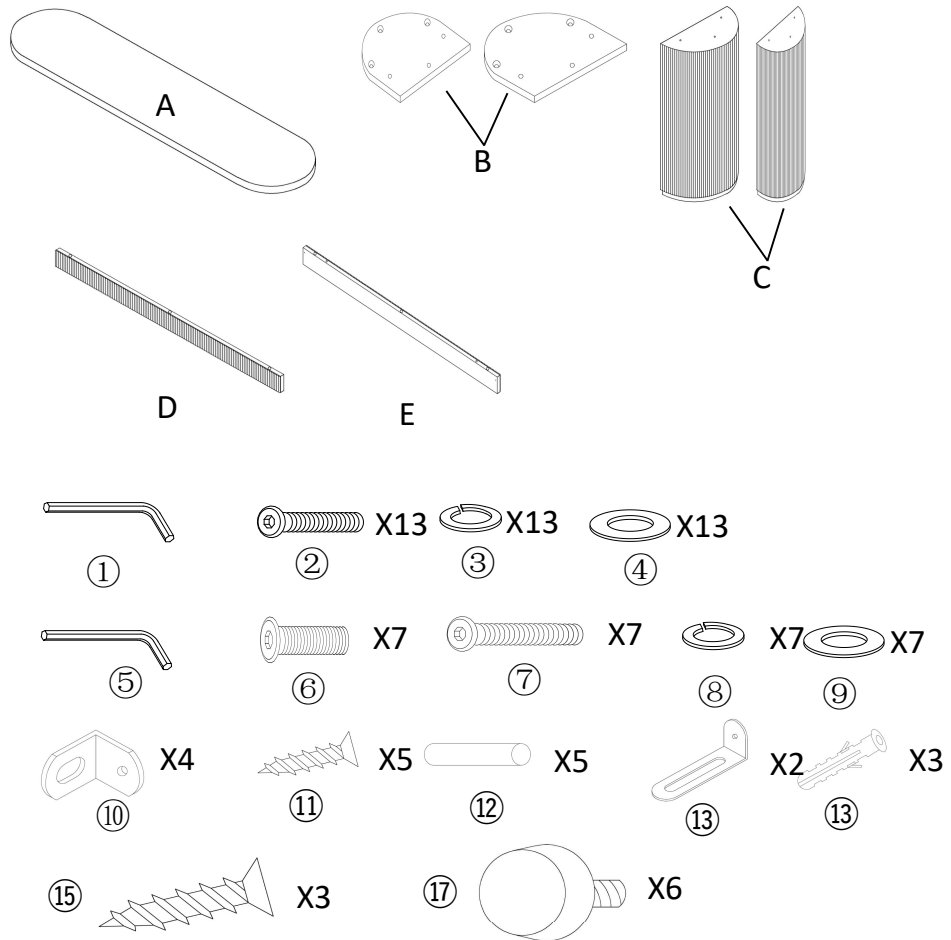
# Hardware

Label	Picture	Description	QTY
①		Allen Wrench 5mm	1
②		Bolt (M8*45mm)	13
③		Spring Washer (M8)	13
④		Flat Washer (M8)	13
⑤		Allen Wrench 4mm	1
⑥		Bolt (M6*19mm)	7
⑦		Bolt (M6*75mm)	7
⑧		Spring Washer (M6)	7
⑨		Flat Washer (M6)	7
⑩		angle iron	4
⑪		Screw (Φ8x16mm)	5
⑫		Wood Tenon (Φ8x30mm)	5
⑬		Angle iron	2
⑭		Bulging plug	3
⑮		Screw (Φ8x38mm)	3

①⑥		<b>Screwdriver (not provided)</b>	<b>1</b>
①⑦		Adjusting feet	6

## Assembly Preparation

**Before  
Beginning  
Assembly:**



- Read instructions, cover to cover-



- Have 2 adults on hand for assembly-



- Do not assemble on flooring or carpet-



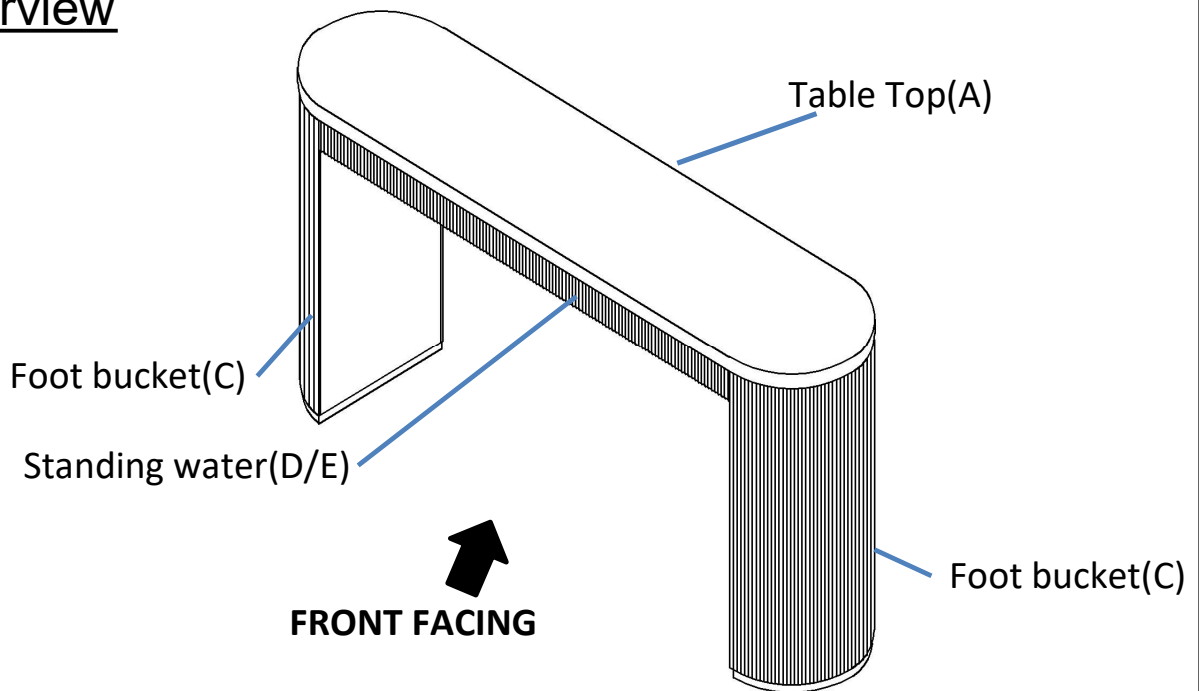
- Assemble on a clean non-marring surface (packing foam)-



- Save all packaging until finished-

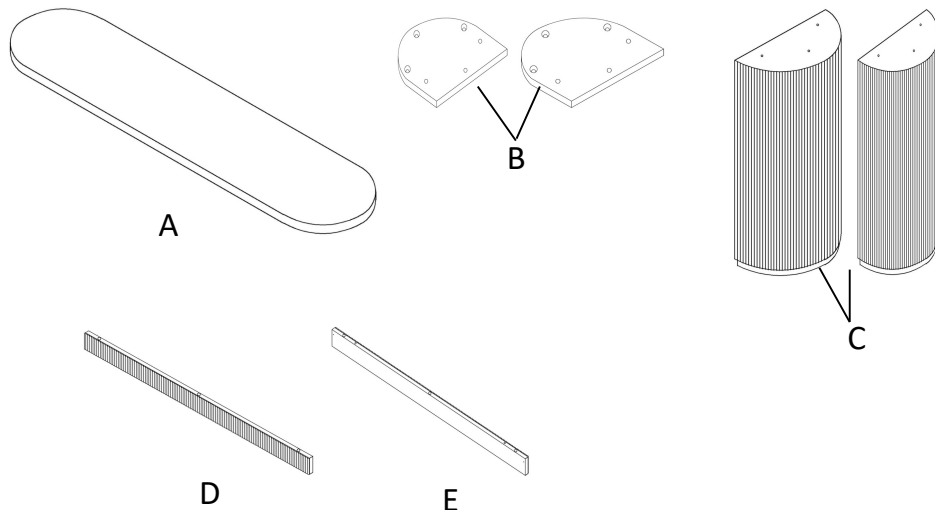
# Assembly Steps

## Overview



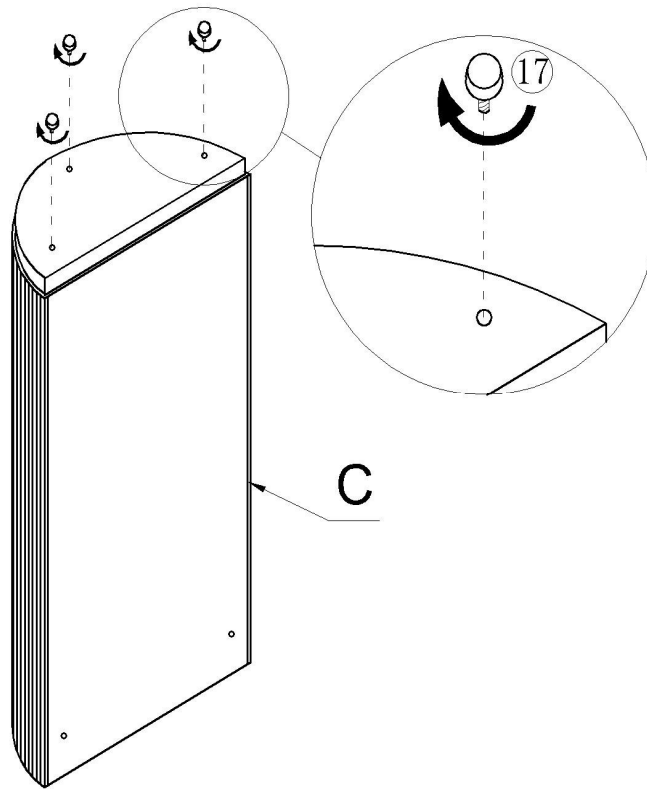
This Counter table has multiple parts and may require up to 30 minutes to assemble. To give you an overview of the Counter table parts, the above picture is to help you put the various parts into perspective. Please read through the instructions below to familiarise yourself with the parts and steps before assembly.

## Step 1



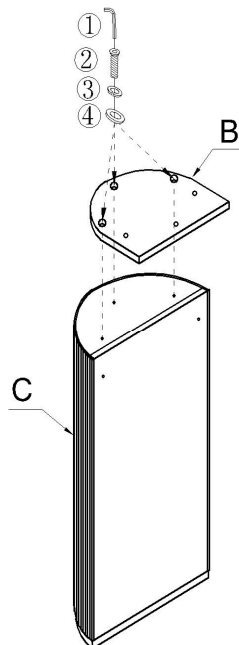
Open the carton and place all the parts onto a clean, non-marring surface.

**Step 2**



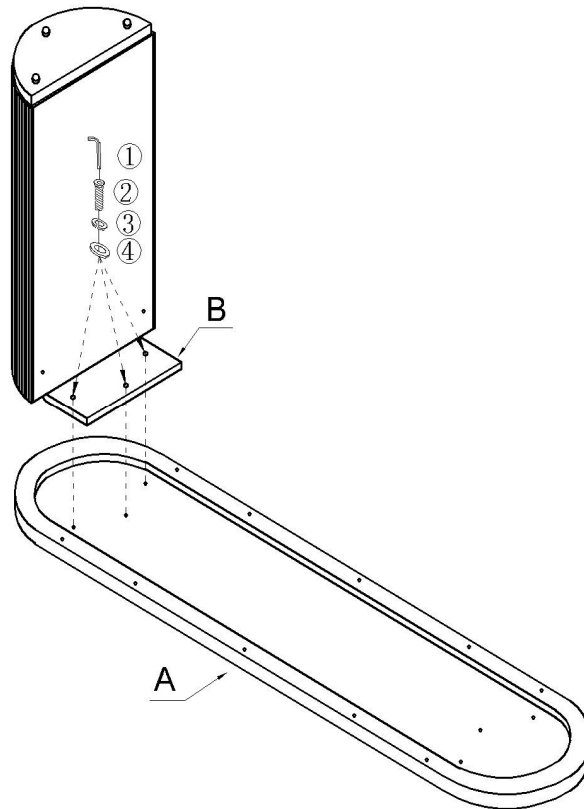
As shown in the picture: Install the Adjusting feet (17) on the Foot bucket (C).

**Step 3**



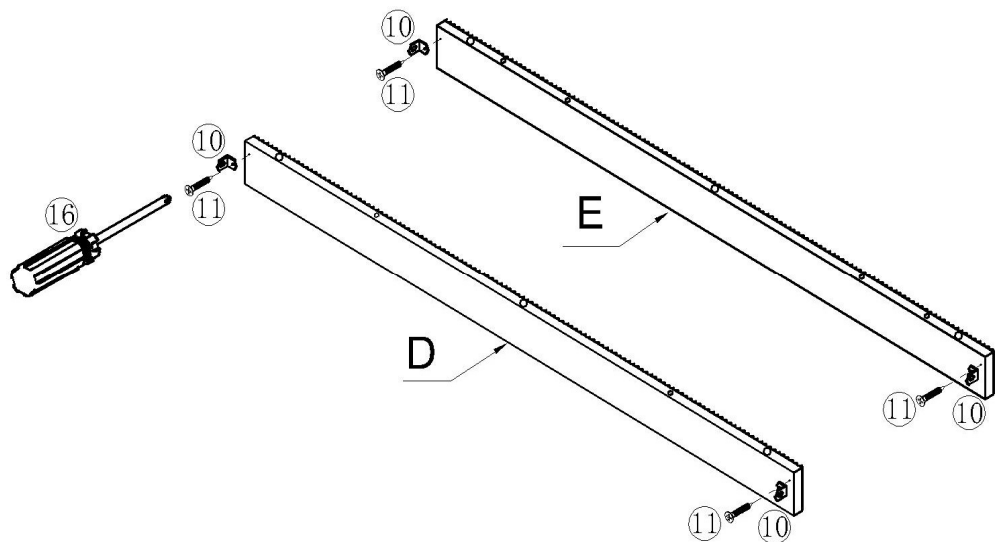
As shown in the picture: Fix the Pallet (B) and the Foot bucket (C) with an Allen wrench (1), Bolts (2), Spring washers (3) and Flat washers (4).

### Step 4



As shown in the picture: fix the Pallet (B) and Table Top (A) with Allen wrench(①), Bolts (②), Spring washers (③) and Flat washers (④).

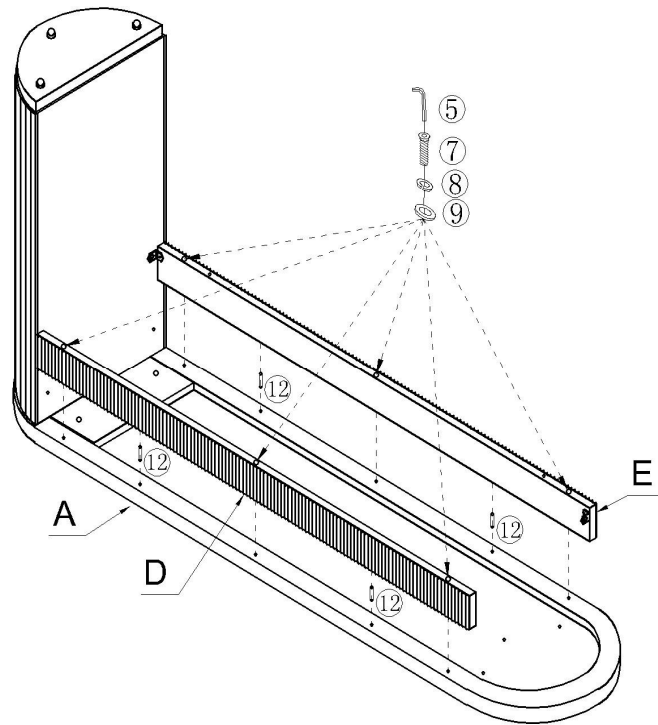
### Step 5



As shown in the picture: Use Screw (⑪) and Screwdriver (⑯) to Standing water (D) (E) and Angle iron (⑩).

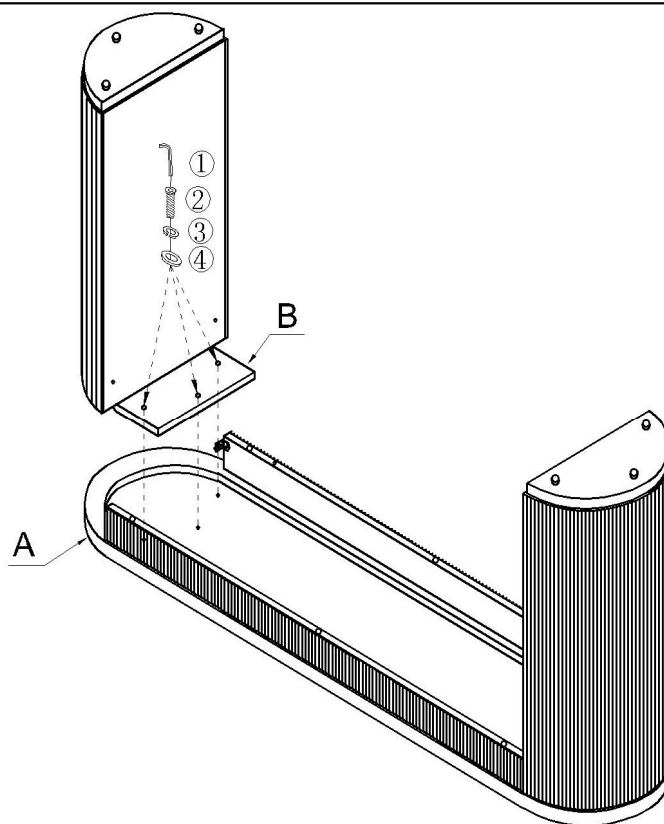


## Step 6



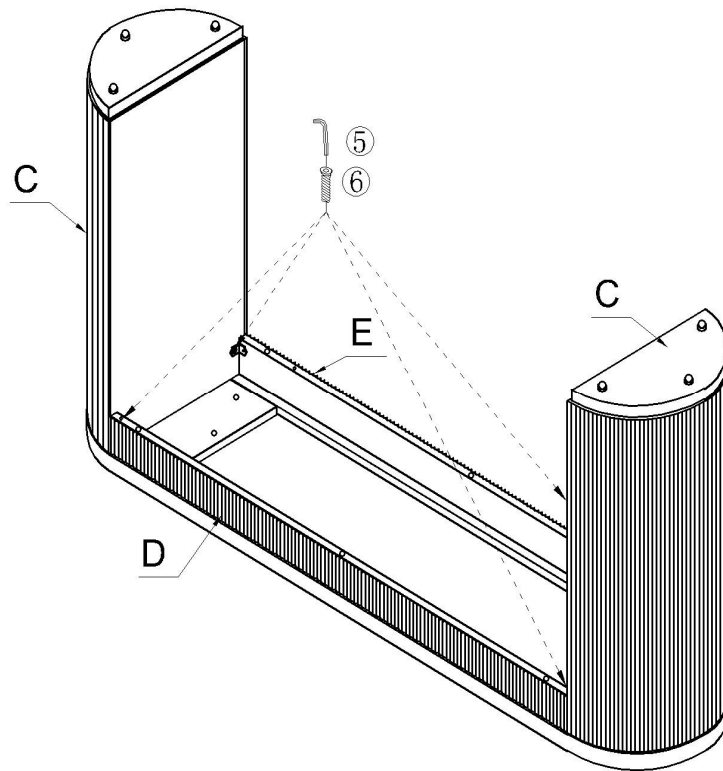
As shown in the picture: fix the Standing water (D) (E) and Table Top(A) with Bolts(⑦) + Spring washers(⑧) + Flat washers (⑨) and Allen wrench(⑤).

## Step 7



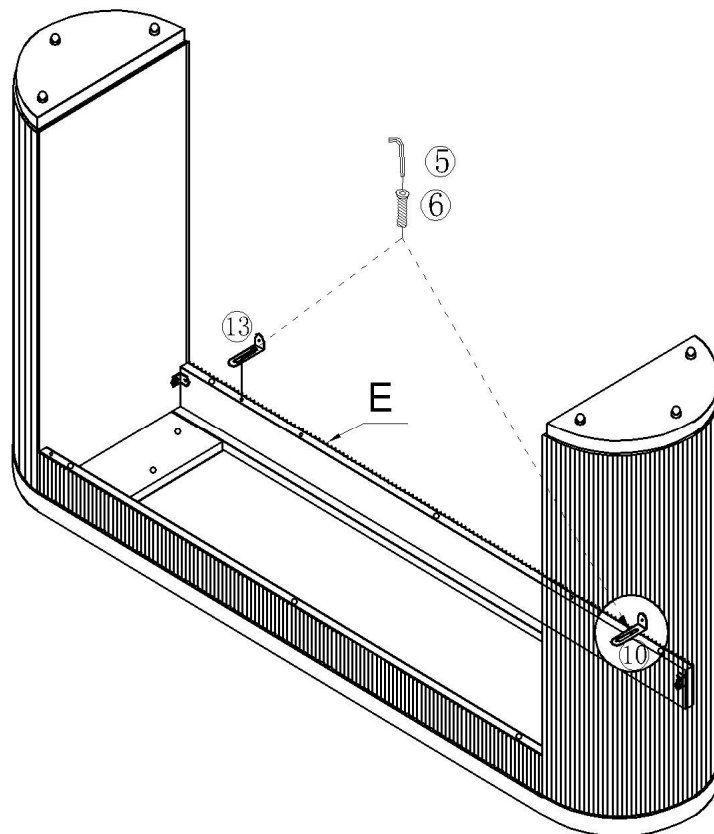
As shown in the picture: fix the Pallet (B) and Table Top (A) with Allen wrench(①), Bolts (②), Spring washers (③) and Flat washers (④).

## Step 8



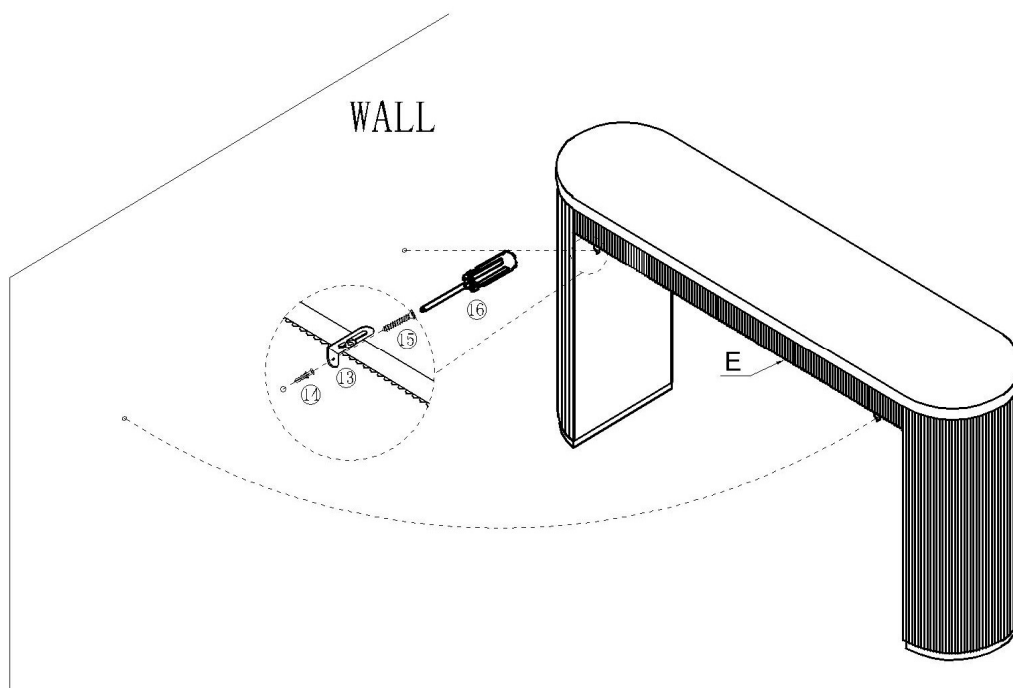
As shown in the picture: fix the Standing water (D) (E) and Foot bucket(C) with Bolts(6) and Allen wrench(5).

## Step 9



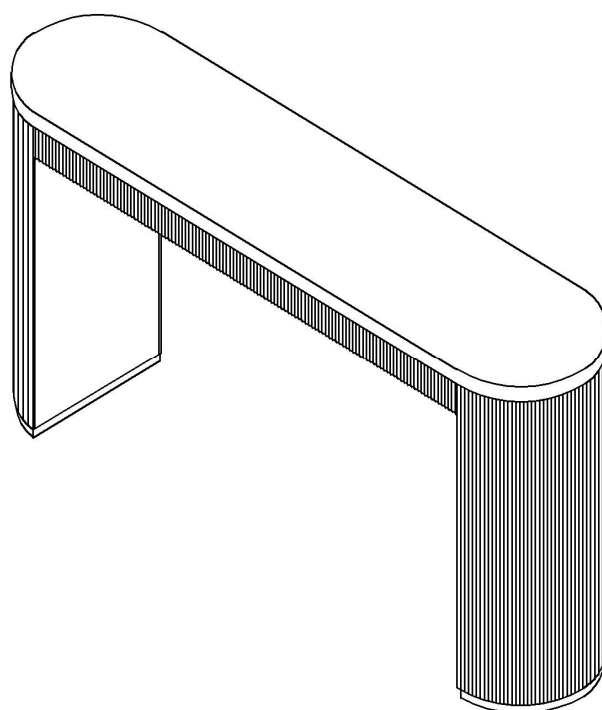
As shown in the picture: fix the Angle iron(13) and Standing water (E) with Bolts(6) and Allen wrench(5).

### Step 10



As shown in the picture: fix the Angle iron(13) and the Wall with a Screwdriver(not provided)(16), screw(15) and Bulging plug(14).

### Step 11



Your Counter table is ready for use.  
This Counter table should only be used on a flat, level surface.