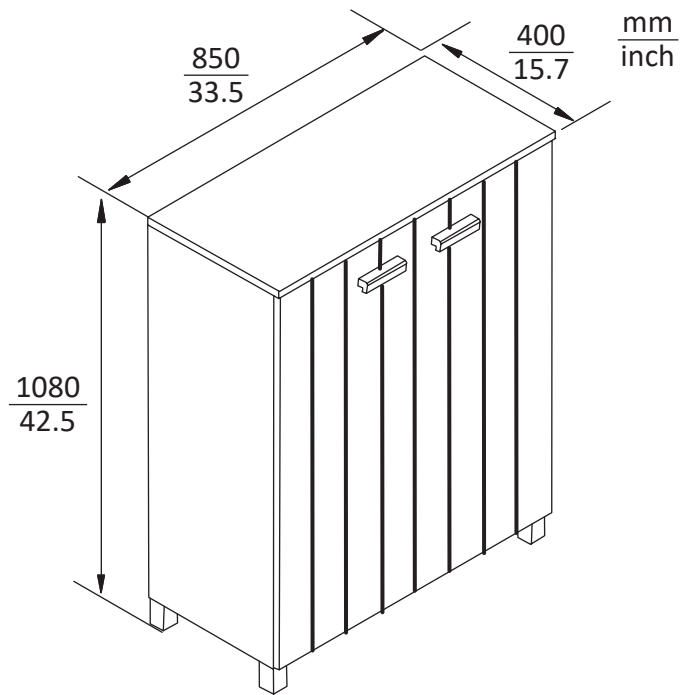
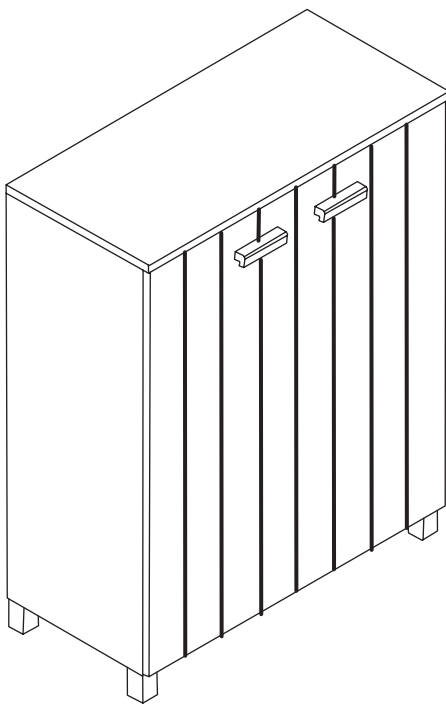
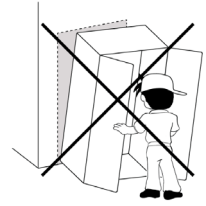
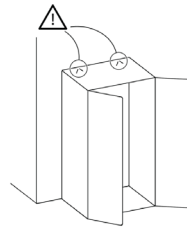
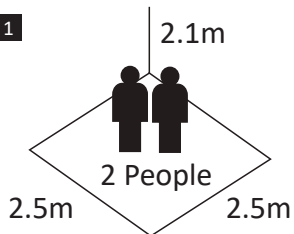


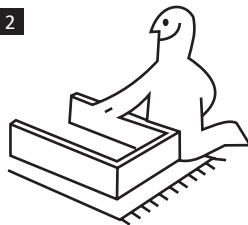
Installation & Assembly



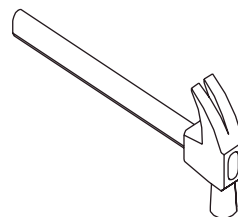
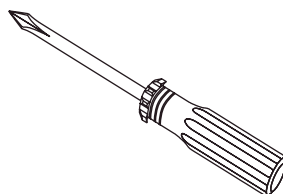
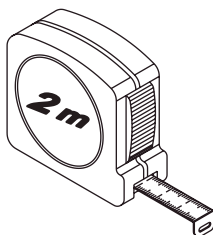
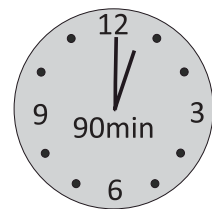
1



2

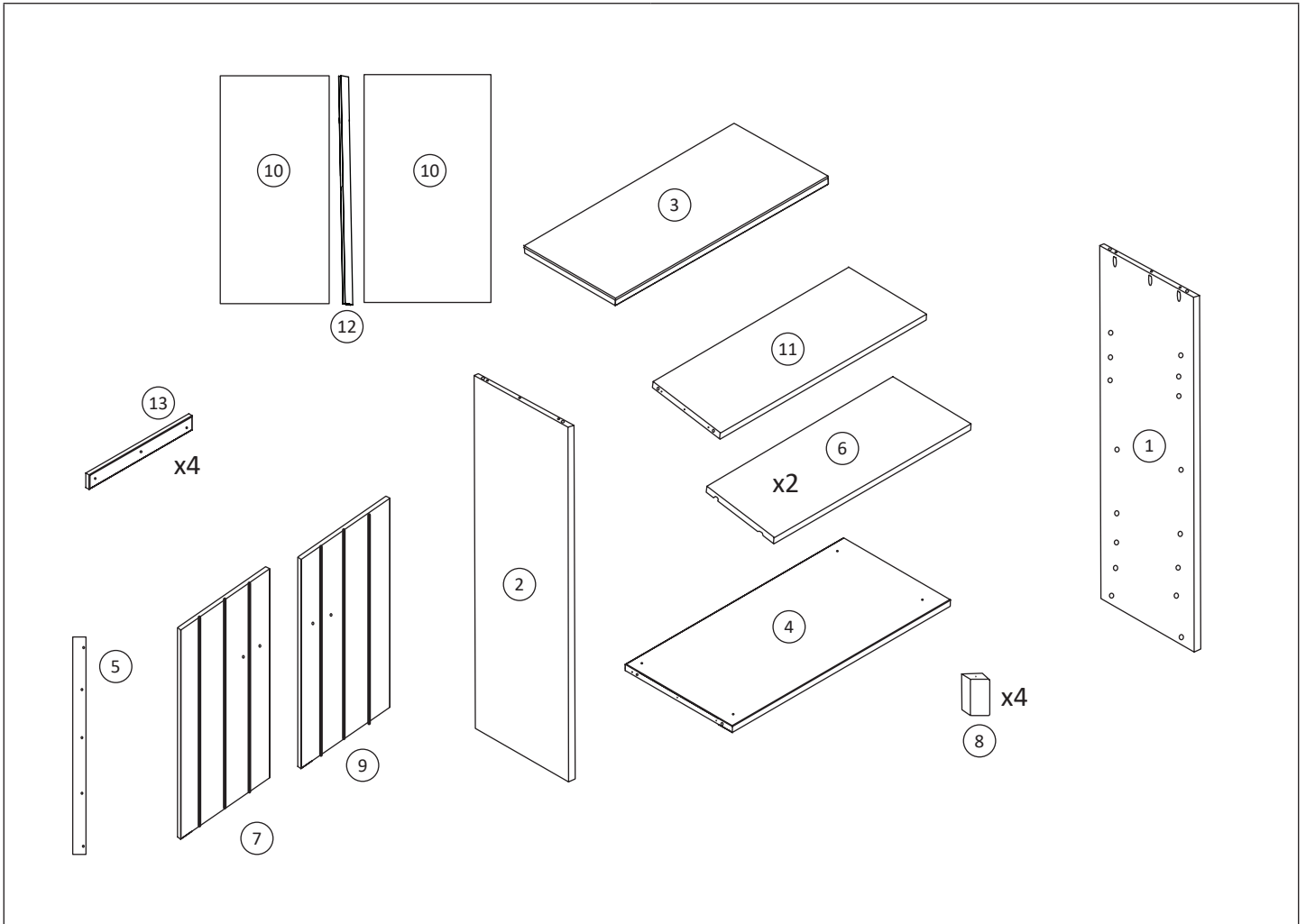


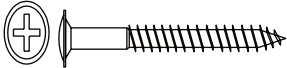

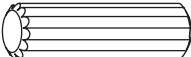


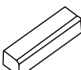


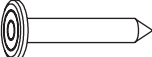

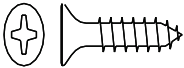
3



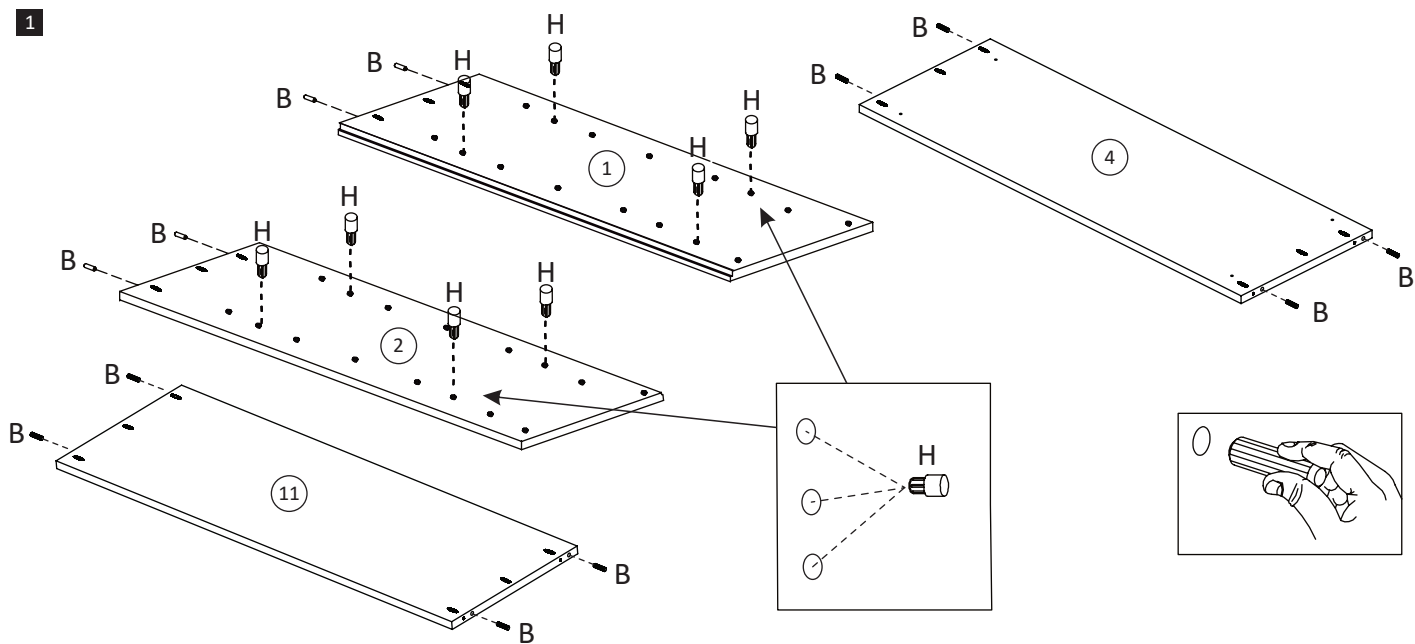
€ \$ £





Ax38		$\Phi 3.5 \times \frac{30}{1.2}$	Gx1 
Bx12		$\Phi 8.0 \times \frac{25}{1.0}$	Hx8 
Cx4		$\Phi 5.0 \times \frac{50}{2.0}$	Ix2 
Dx2			Jx4 
Ex35		$\Phi 1.3 \times \frac{18}{0.7}$	Kx4 
Fx22		$\Phi 3.5 \times \frac{16}{0.6}$	

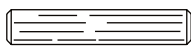
1



Hx8

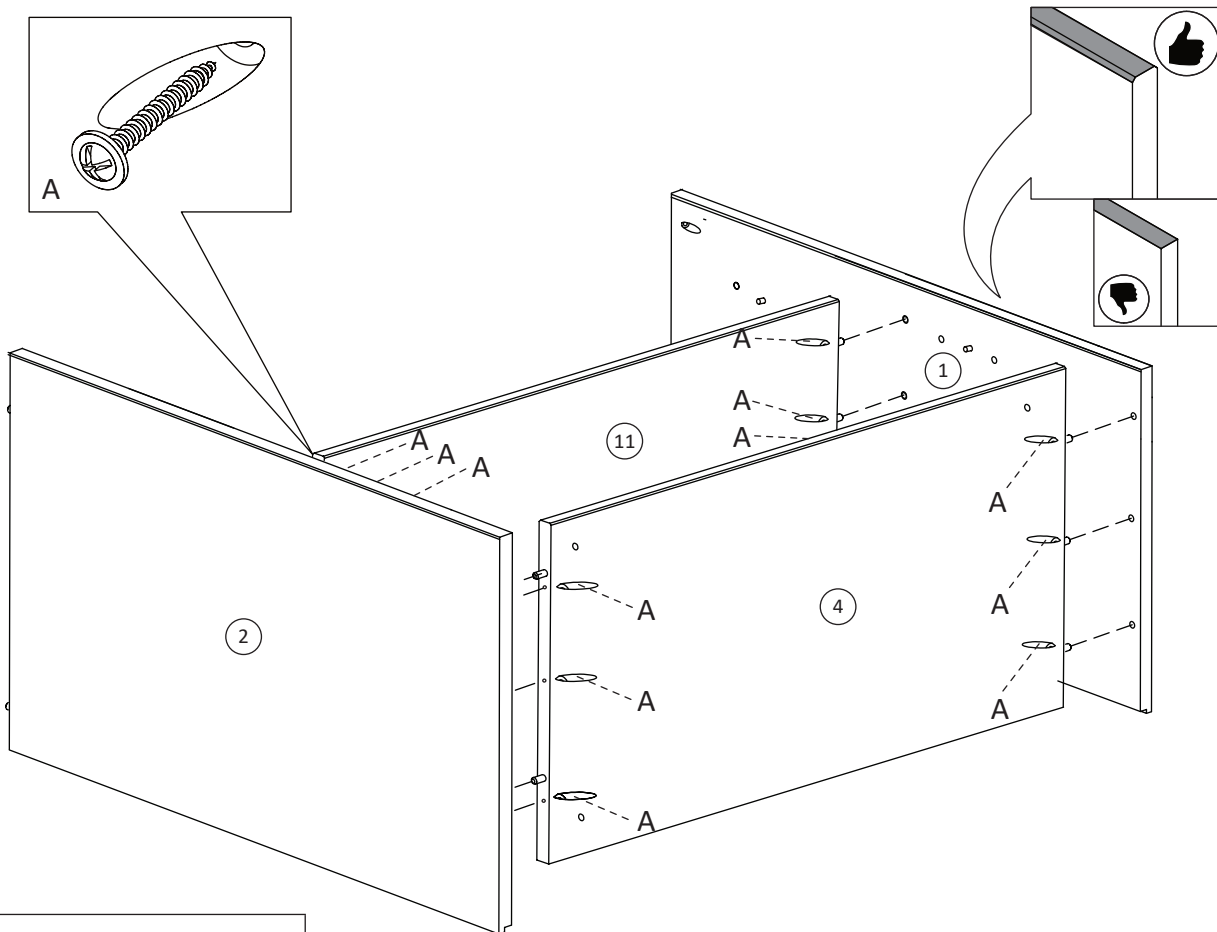
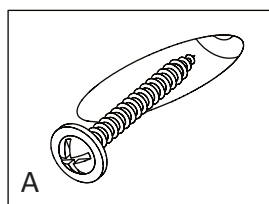


Bx12



$\Phi 8.0 \times \frac{25}{1.0}$

2

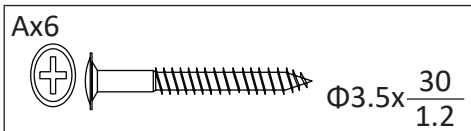
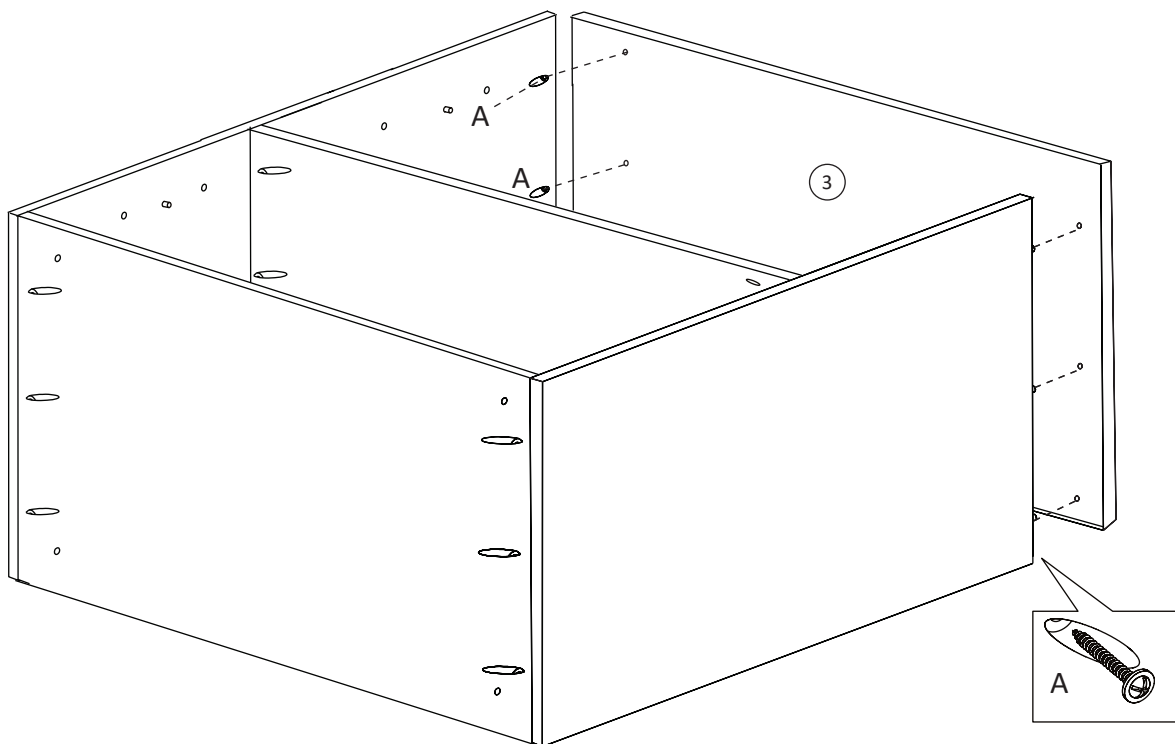


Ax12

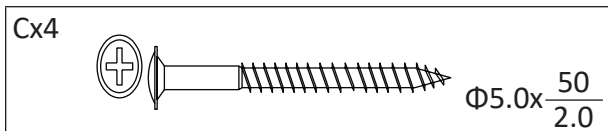
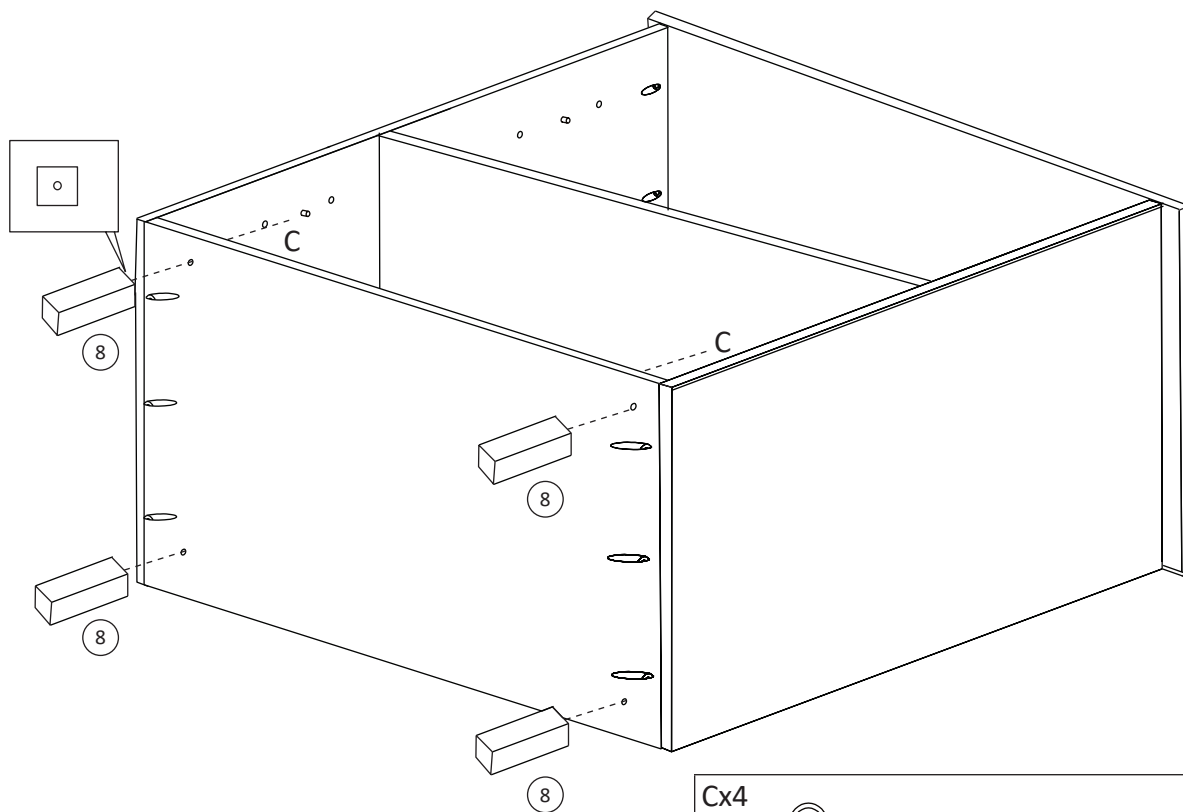


$\Phi 3.5 \times \frac{30}{1.2}$

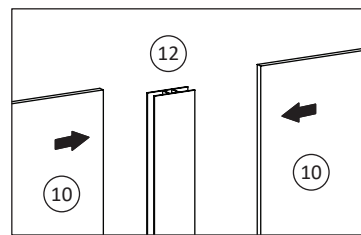
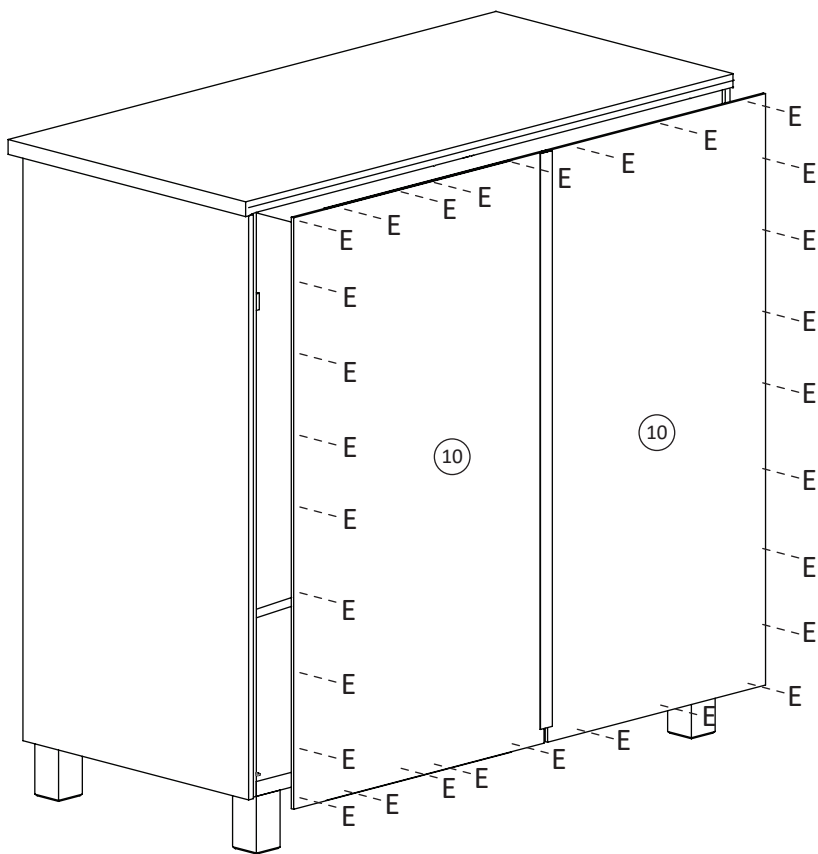
3



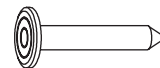
4



5

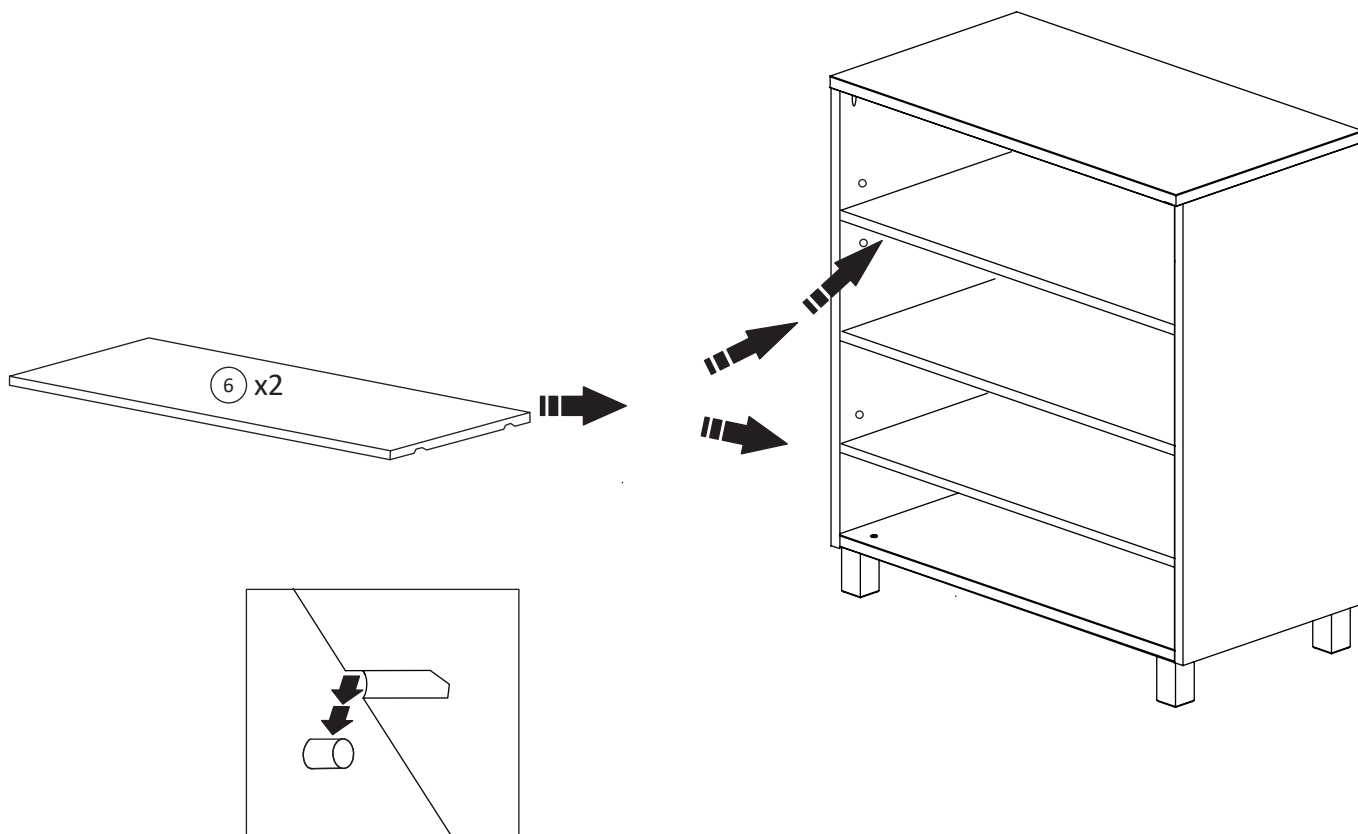


Ex35

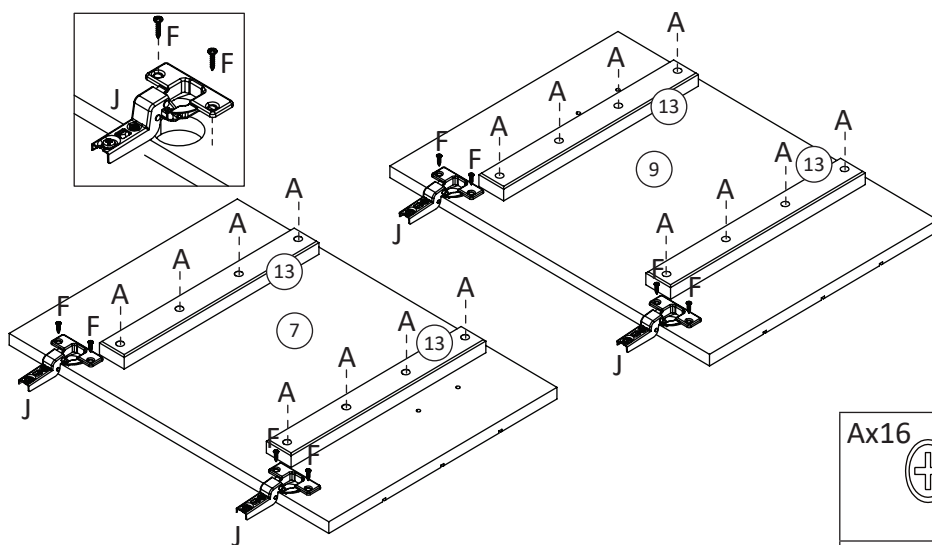



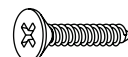
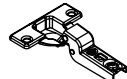
$\Phi 1.3 \times \frac{18}{0.7}$

6

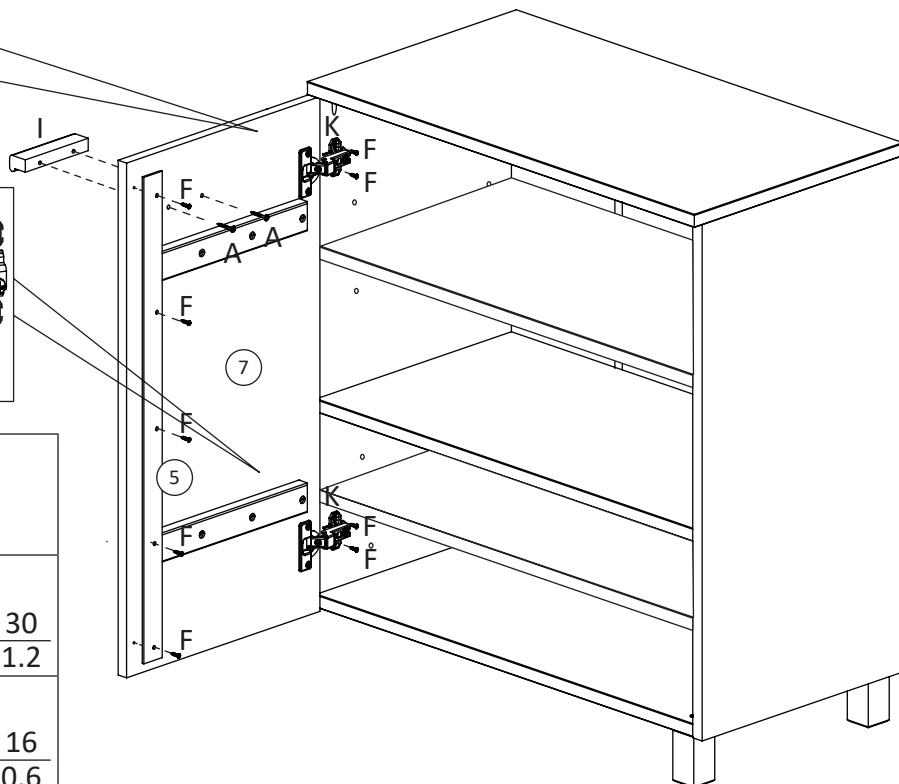
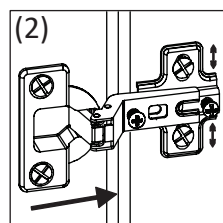
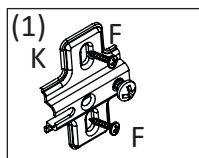






7



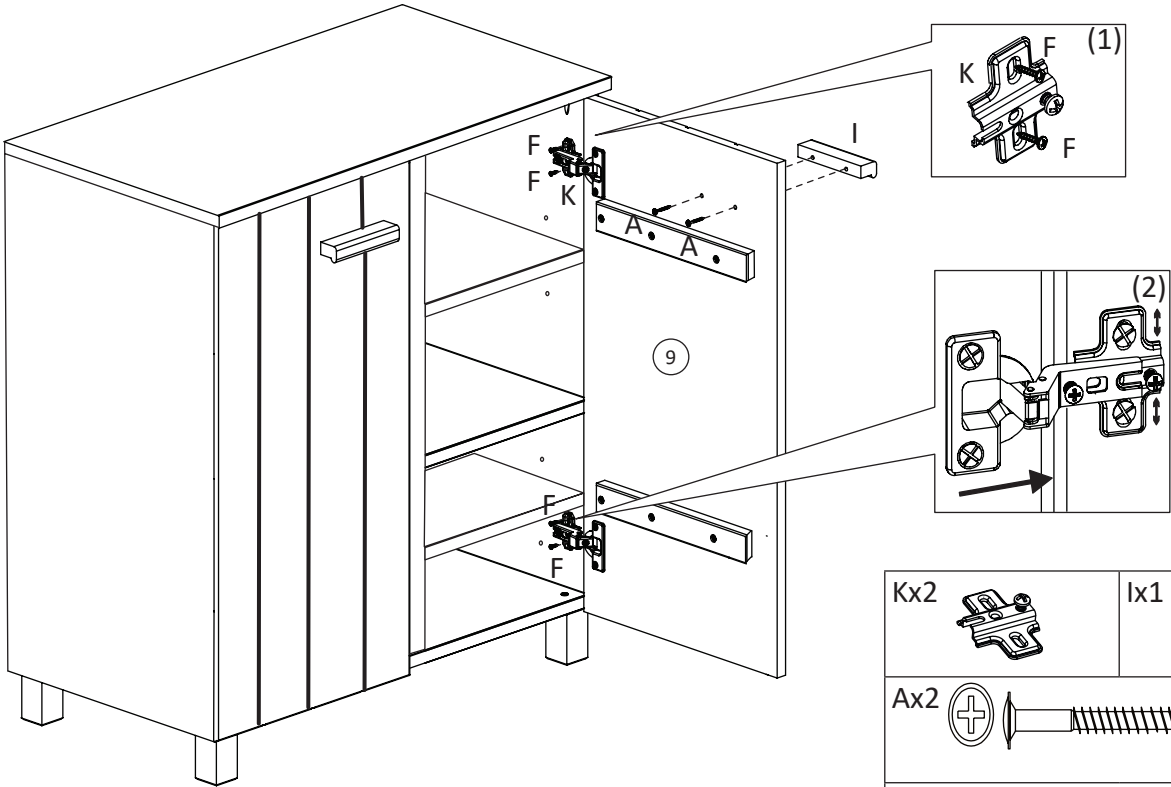
Ax16		$\Phi 3.5 \times \frac{30}{1.2}$
Fx8		$\Phi 3.5 \times \frac{16}{0.6}$
Jx4		

8



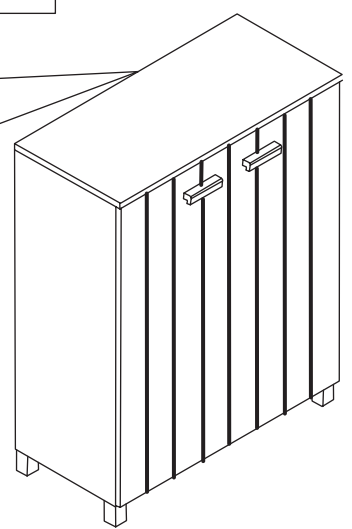
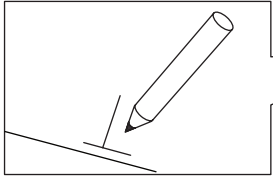
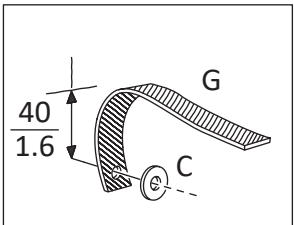
Kx2		
Ax2		$\Phi 3.5 \times \frac{30}{1.2}$
Fx9		$\Phi 3.5 \times \frac{16}{0.6}$
Ix1		

9



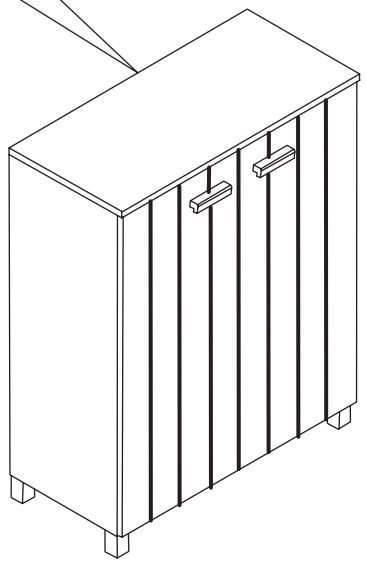
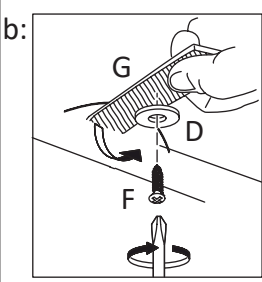
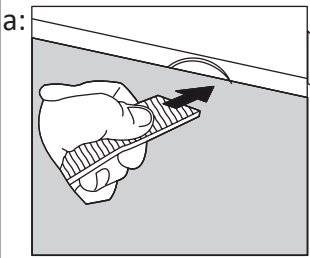
Kx2		Ix1	
Ax2			
			$\Phi 3.5 \times \frac{30}{1.2}$
Fx4			$\Phi 3.5 \times \frac{16}{0.6}$

10



Dx1		Gx1	
-----	--	-----	--

3



Dx1		Fx1	
			$\Phi 3.5 \times \frac{16}{0.6}$

