

**34" H SLAT BACK SIDE CHAIR  
WITH F.R. FOAM CUSHION SEAT**

---

**ASSEMBLY INSTRUCTIONS**



# ASSEMBLY INSTRUCTIONS

## ASSEMBLY TIPS :

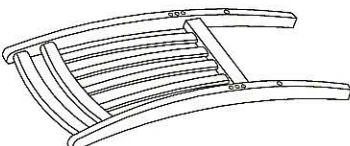
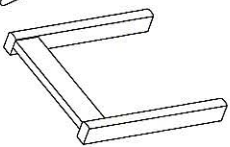
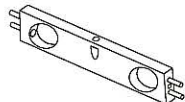
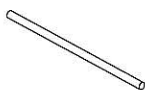

1. Remove hardware from plastic bag and sort by size.
2. Please check to see that all hardware and part are present prior to start of assembly.
3. Please follow attached instruction in the same sequence as numbered to assure fast & easy assembly.



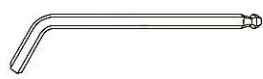




### Warning !

1. Don't attempt to repair or modify parts that are broken or defective. Please contact the store immediately.
2. This product is for home use only and not intended for commercial establishment.

## PARTS IDENTIFICATION:

A		CHAIR BACK	1PC
B		FRONT LEG FRAME	1PC
C		SIDE RAIL	2PCS
D		STRETCHER	2PCS
E		CUSHION SEAT	1PC

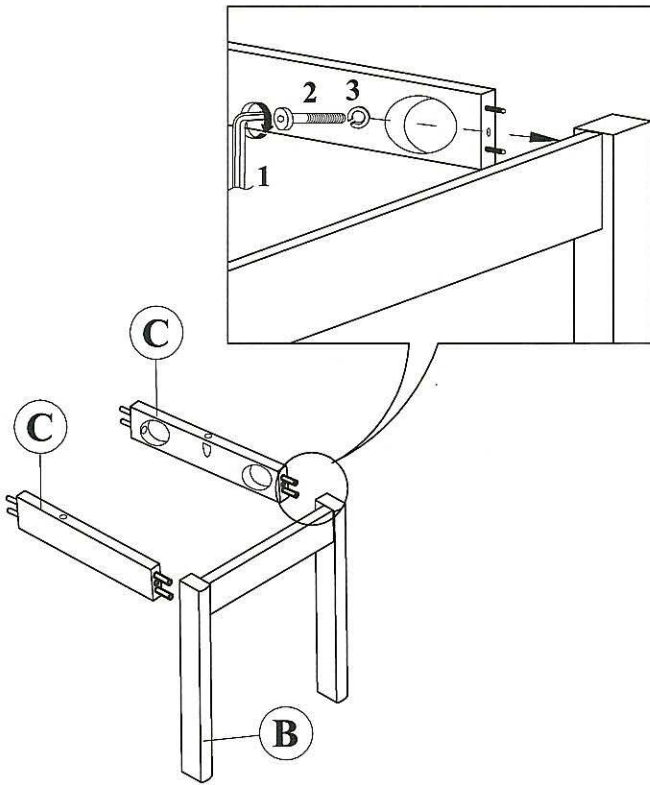
## HARDWARE IDENTIFICATION:

1		ALLEN WRENCH	1PC
2		BOLT	4PCS
3		LOCK WASHER	4PCS
4		SHORT PAN HEAD SCREW	3PCS
5		LONG PAN HEAD SCREW	4PCS

# ASSEMBLY INSTRUCTIONS

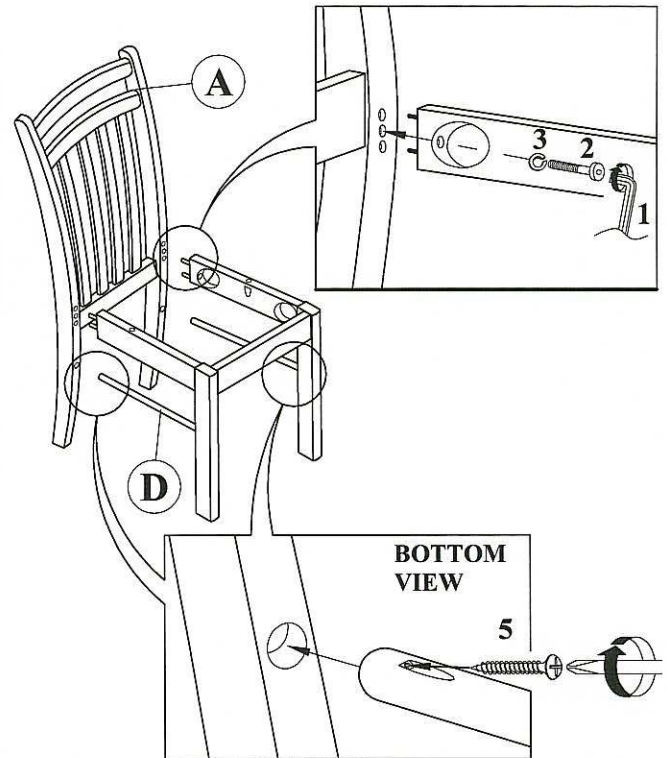
## STEP 1

Align and fasten side rails to front leg frame using bolt and lock washer and tighten with Allen wrench.



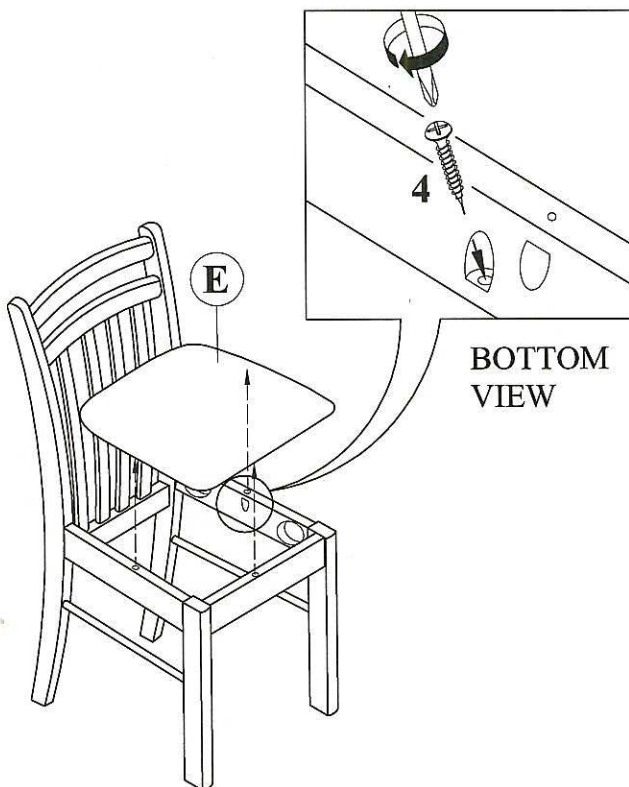
## STEP 2

Insert stretchers into correct legs. Align and fasten side rails to chair back using bolt and lock washer and tighten with Allen wrench. Insert long pan head screws into bottom of stretchers and tighten with screw driver (Not provided).



## STEP 3

Align and fasten cushion seat to side rails using short pan head screws and tighten with screw driver (Not provided).



## STEP 4

Complete.

