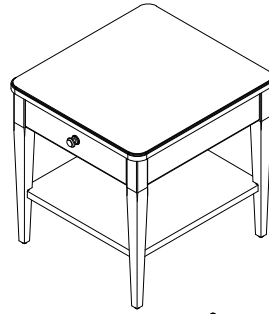


ASSEMBLY INSTRUCTIONS

350-915



TOOLS REQUIRED:

Allen Wrench/ Spanner Wrench (Provided, Part G, H)

BEFORE YOU START:

1. Check the parts against the parts list to make sure all items are present.
2. Assemble your furniture on a soft, flat surface to avoid scratching the finish.
3. **CAUTION:** Do not over tighten screws, nuts or bolts during assembly.
4. Your furniture may require occasional tightening.

INSTRUCTIONS:

1. Turn the table top upside down on to a clean soft surface. Attach three legs to the table top and tighten Hex Nut (D) with Lock Washer (E), Flat Washer (F) by Spanner Wrench (H) as shown in Figure 1

2. Attach the bottom shelf to the legs with Bolt (A), Lock Washer (B), Flat Washer (C) and Allen Wrench (G) as shown in Figure 2.

3. Attach the remaining leg to the assembly with Hex Nut (D), Lock washer (E) and Flat washer (F) for the top and with Bolt (A), Lock Washer (B), Flat Washer (C) for the bottom. Tighten all bolts with Spanner Wrench (H) and Allen Wrench (G) as shown in Figure 3.

Figure 1

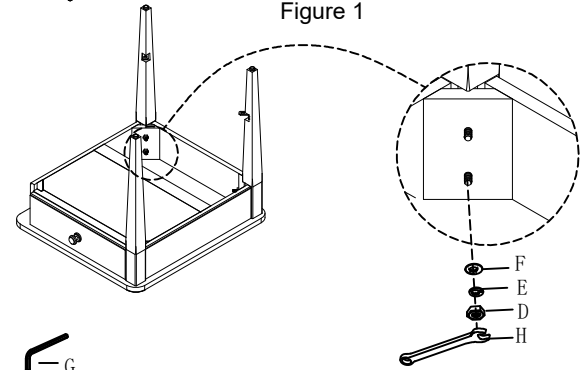


Figure 2

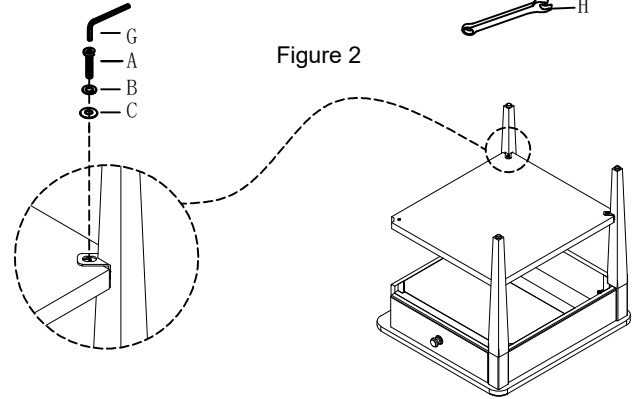
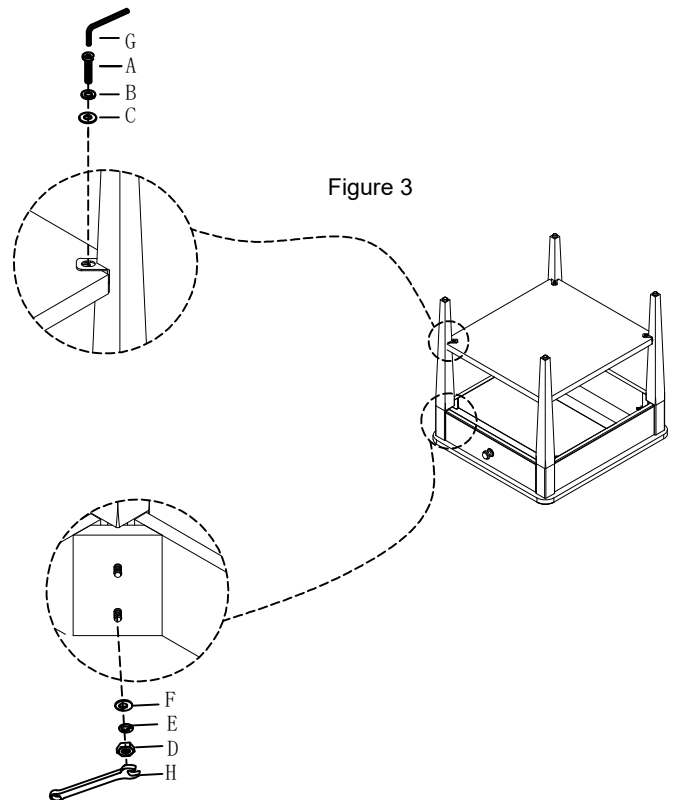


Figure 3



HARDWARE LIST

NO.	Drawing	Description	Q'TY
A		BOLT Ø1/4"*9/16"	4 pcs
B		LOCK WASHER Ø1/4"	4 pcs
C		FLAT WASHER Ø1/4"*16*1.5MM	4 pcs
D		HEX NUT Ø5/16"	8 pcs
E		LOCK WASHER Ø5/16"	8 pcs
F		FLAT WASHER Ø5/16"*19*1.5MM	8 pcs
G		ALLEN WRENCH 110*60*4MM	1 pc
H		SPANNER WRENCH Ø12/160MM	1 pc