



PLEASE READ ME FIRST




- Have questions about assembling your item?

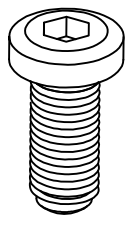


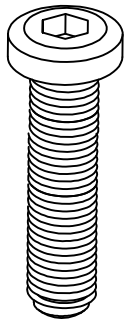
- Item or parts damaged?

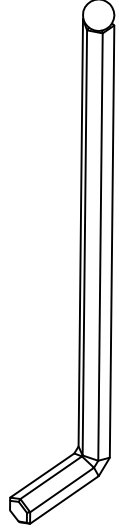


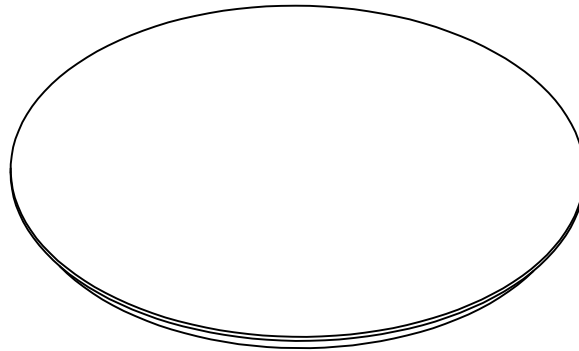
- Missing a part?

**A**  
  
**4 PCS**

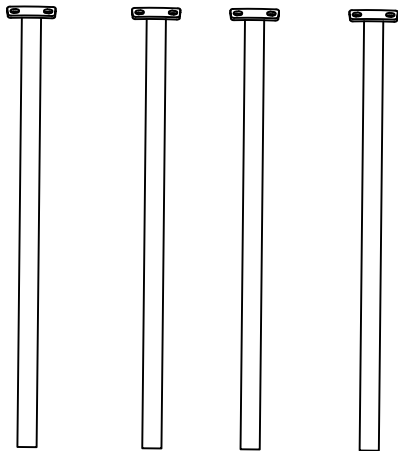
**B**  
  
**M6\*16**  
**8 PCS**

**C**  
  
**M6\*35**  
**4 PCS**

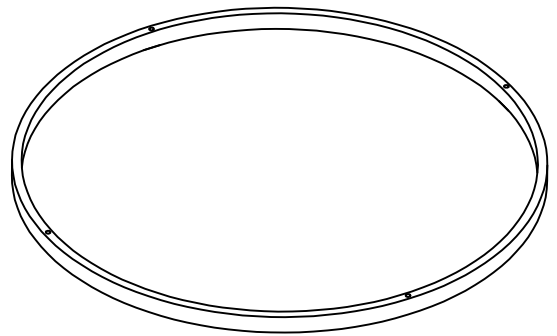
**D**  
  
**1PC**



①

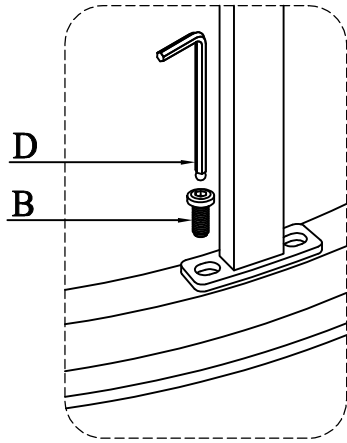
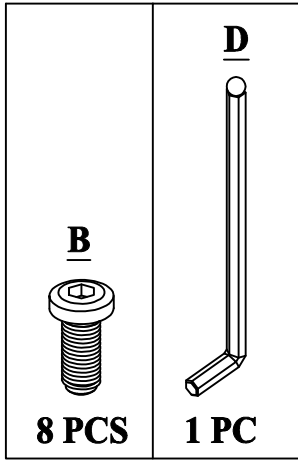


②

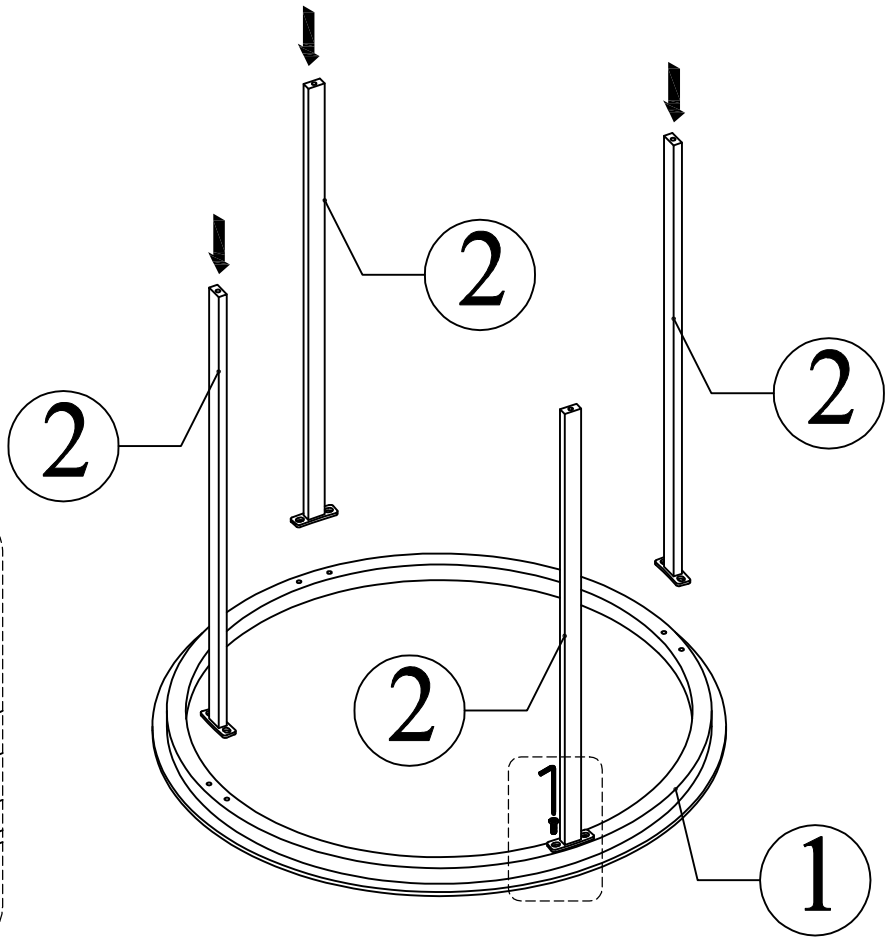


③

# 01

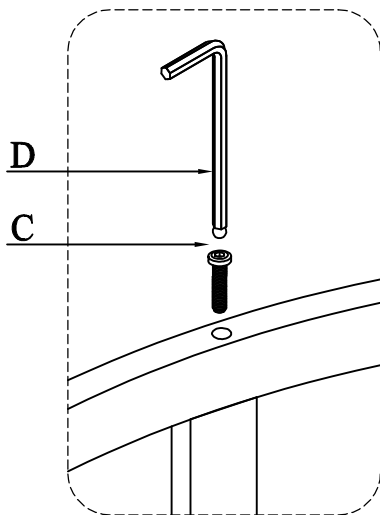
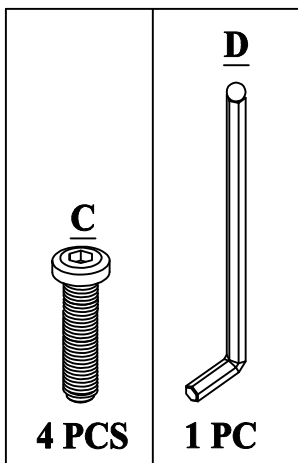


8X

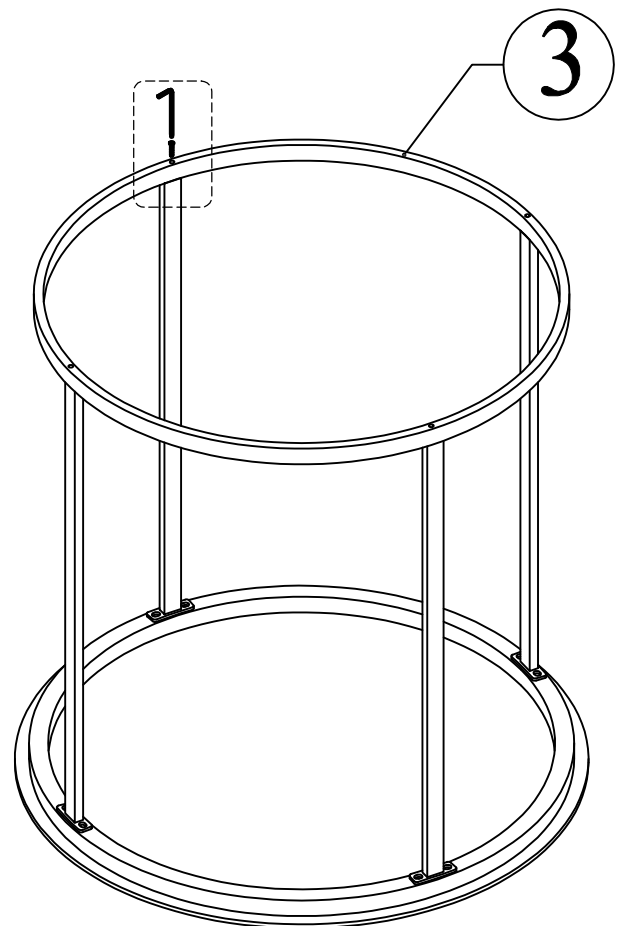


TIGHTEN BOLT COMPLETELY.

# 02

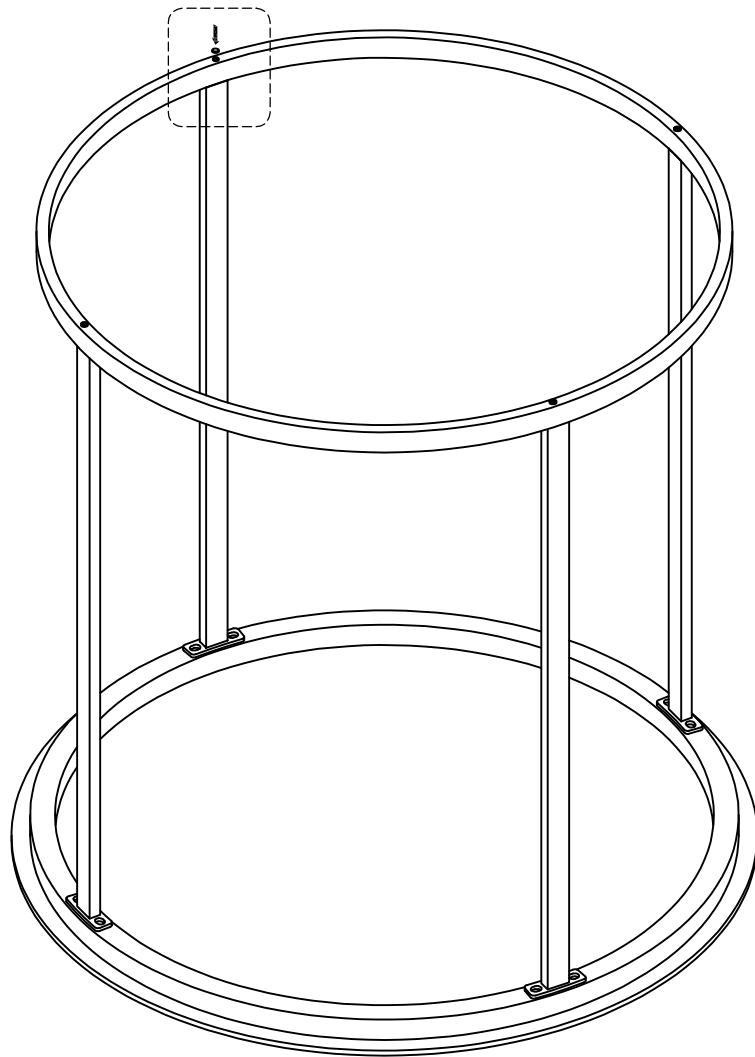
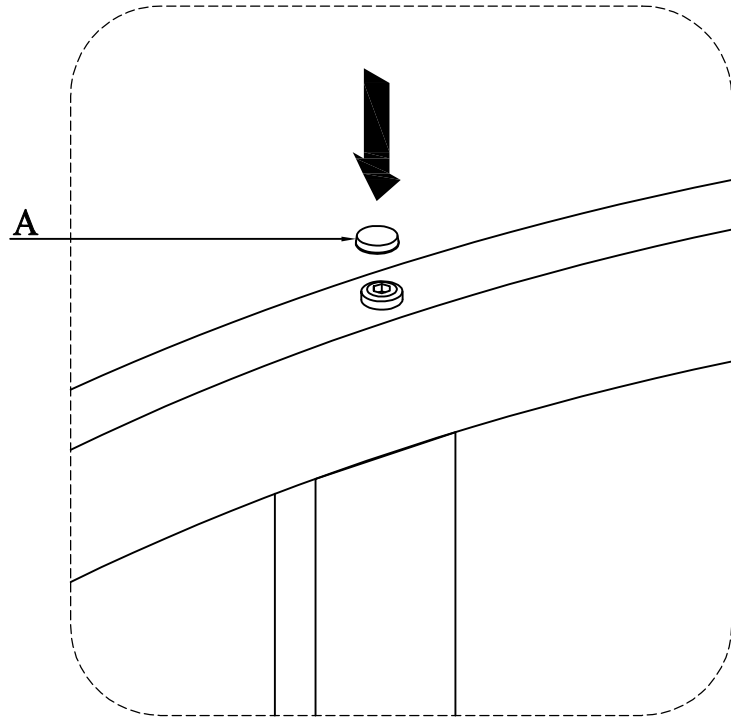
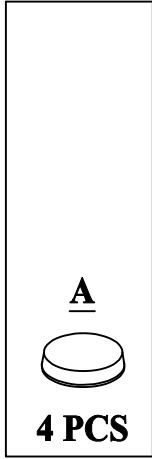


4X

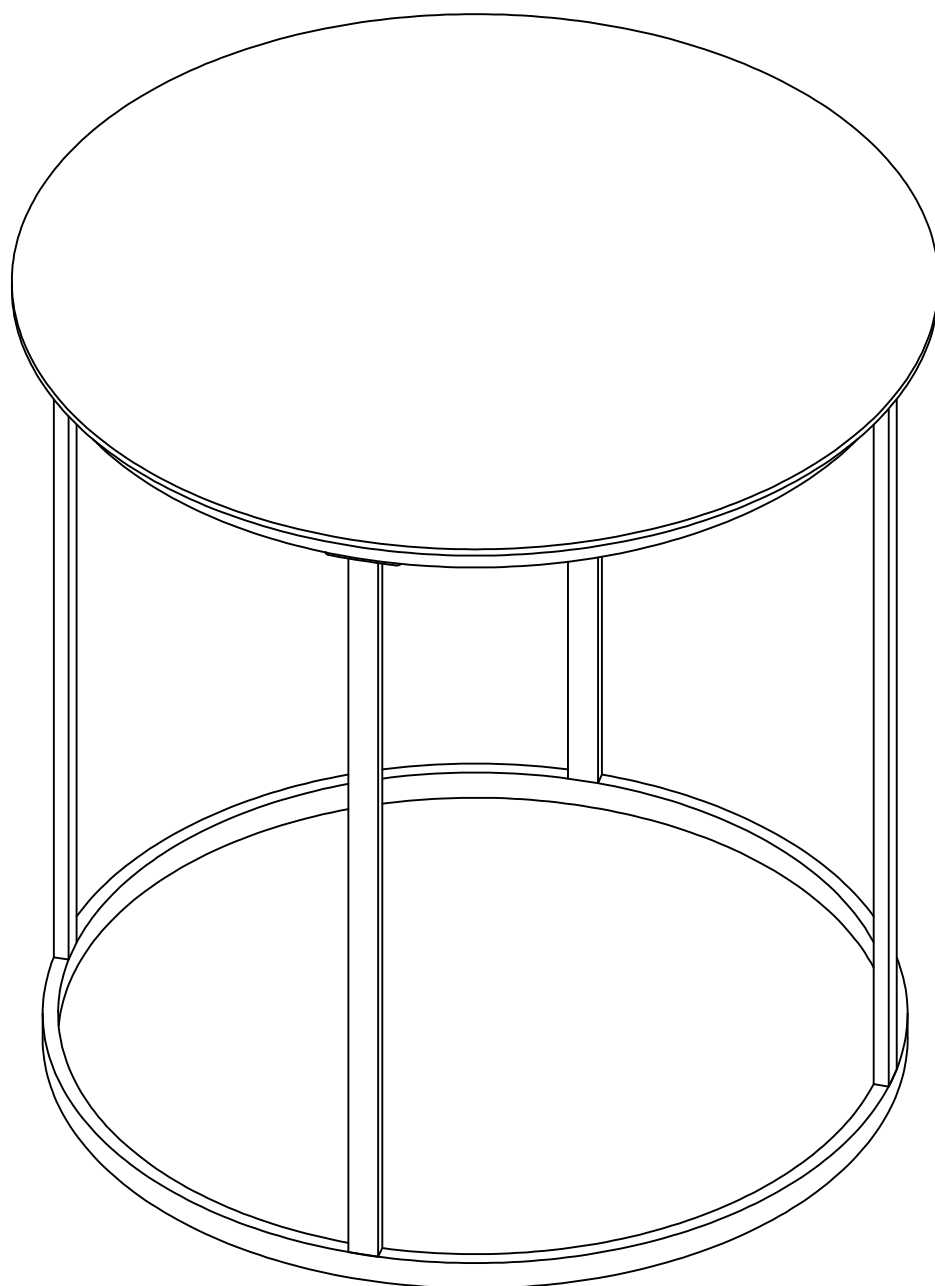


TIGHTEN BOLT COMPLETELY.

**03**



**TIGHTEN BOLT COMPLETELY.**



**BE SURE TO CHECK ALL BOLTS ARE SECURELY  
TIGHTENED PRIOR USING THIS TABLE**