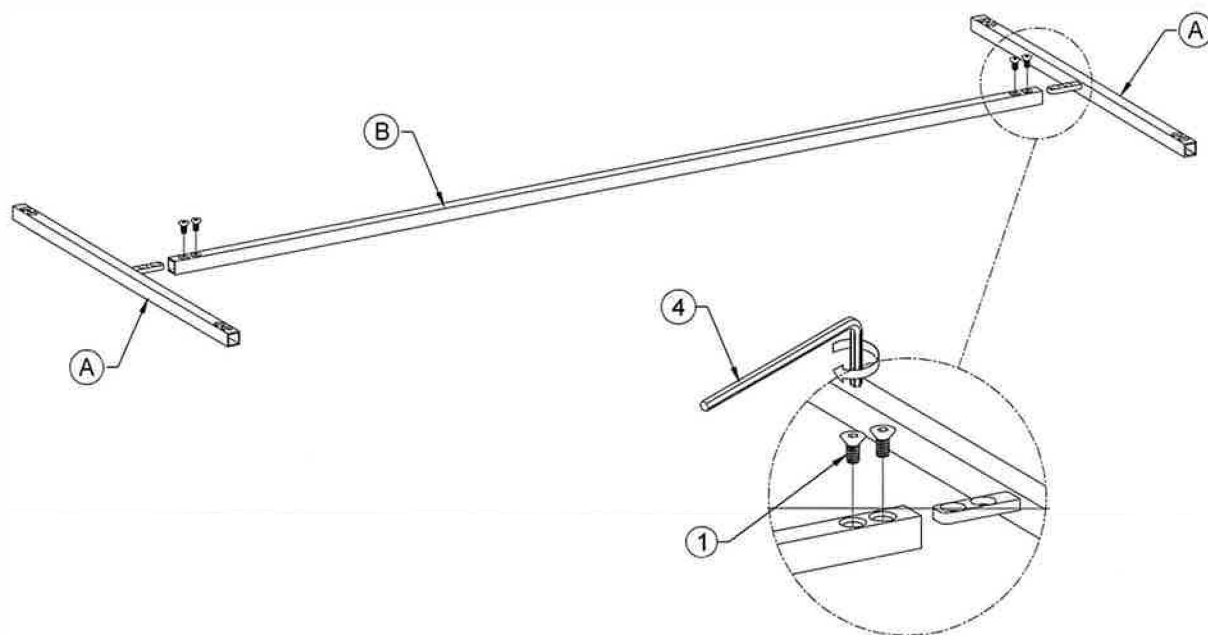


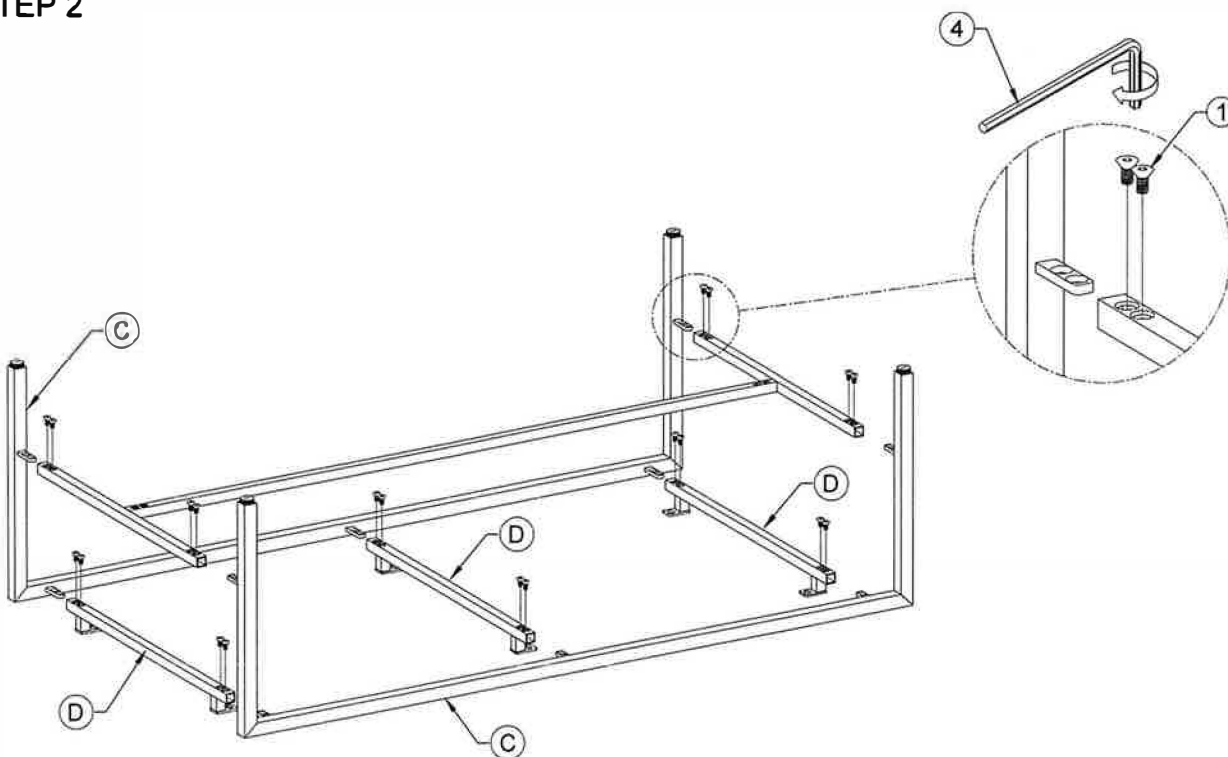
ASSEMBLY INSTRUCTIONS

P. 2/5

STEP 1

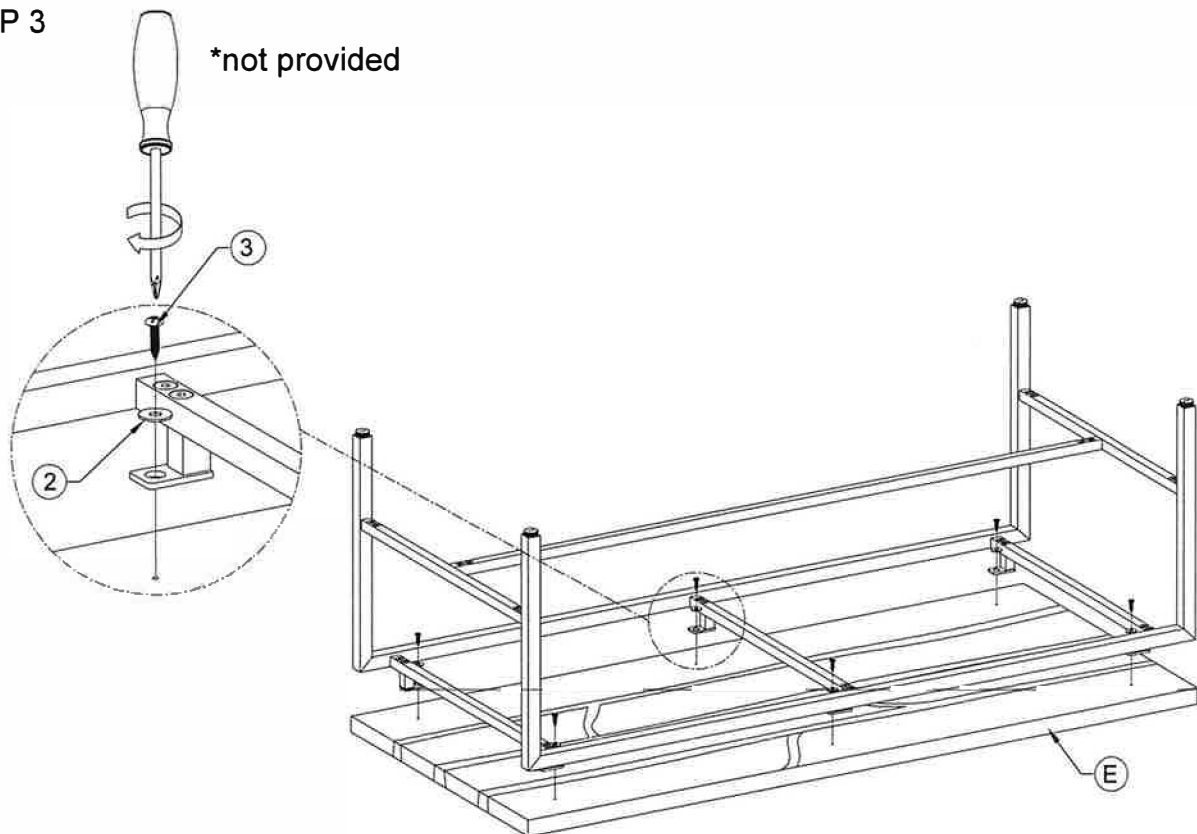


STEP 2

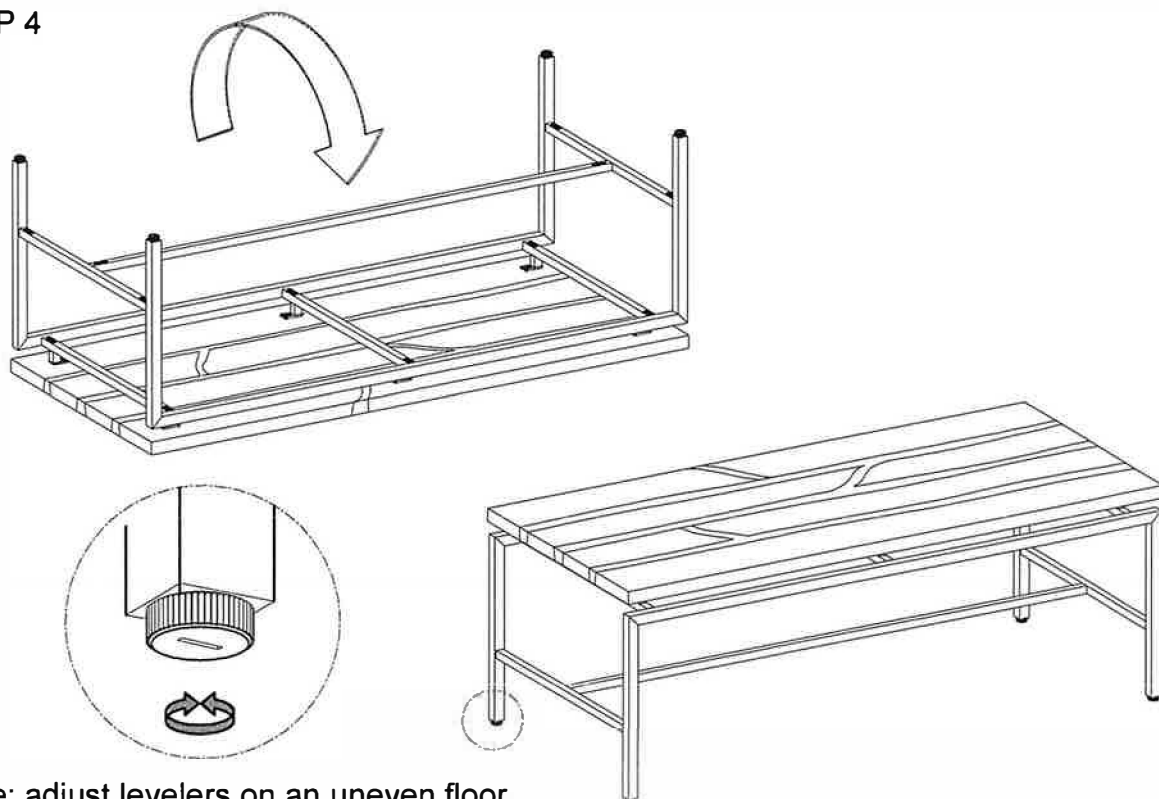


ASSEMBLY INSTRUCTIONS

STEP 3

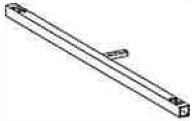



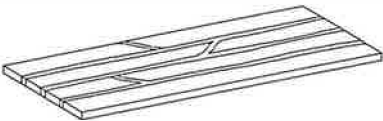


STEP 4







Note: adjust levelers on an uneven floor.

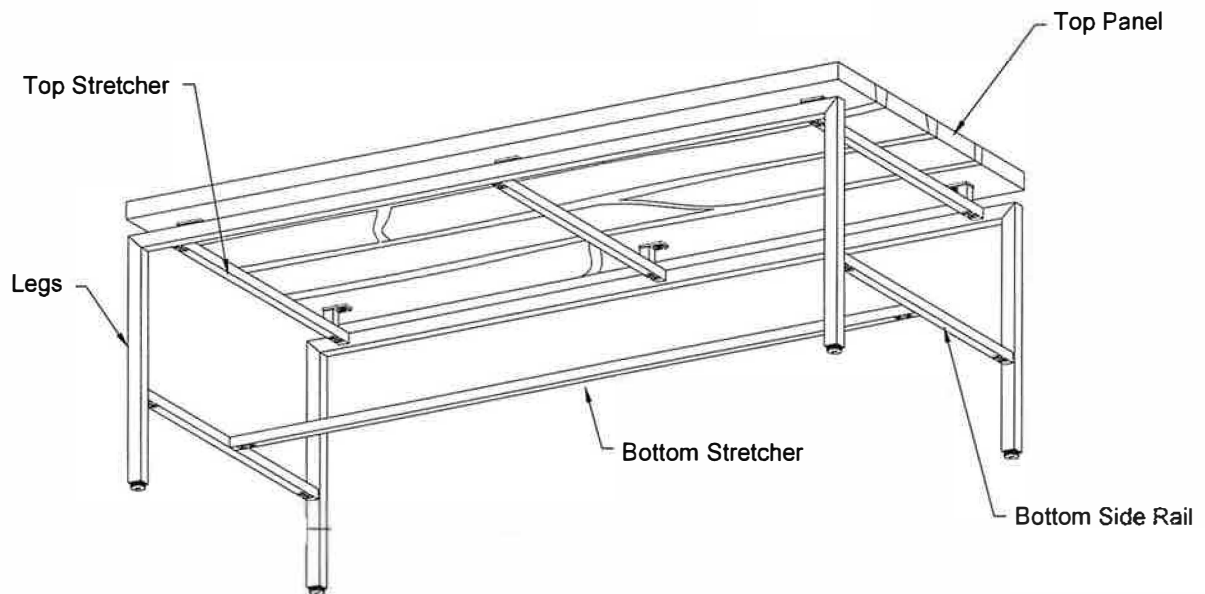
PARTS LIST

(A) BOTTOM SIDE RAIL (2PCS)	(B) BOTTOM STRETCHER (1PC)	(C) LEGS (2PCS)
		
(D) TOP STRETCHER (3PCS)	(E) TOP PANEL (1PC)	
		

HARDWARE PACK

NO.	DESCRIPTION		DIMENSION	Q' TY
1	ALLEN BOLT		Ø1/4"x1/2"	24PCS
2	FLAT WASHER		Ø1/4"x16	6PCS
3	SCREW		Ø5/16"x3/4"	6PCS
4	ALLEN KEY		Ø4x85	1PC

COMPLETE HARDWARE



PRODUCT DETAILS

COCKTAIL TABLE

Panel	Acacia Wood, Resin
Frame Leg	Metal
Product Size	44"Lx20"Wx16"H
Carton Size	49.8"Lx25.4"Wx6.3"H
Net Weight	29.10 Lbs
Gross Weight	46.29 Lbs
Cuft	4.61'