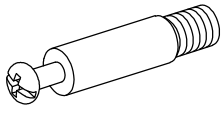
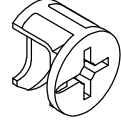
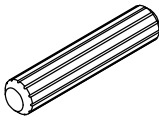
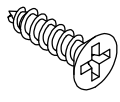
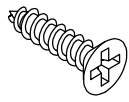
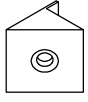
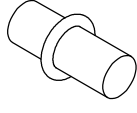
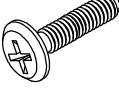
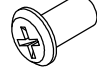

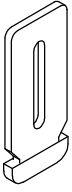
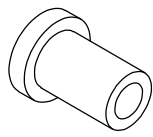

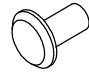

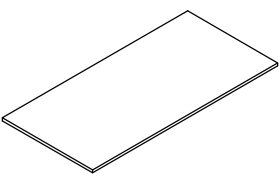
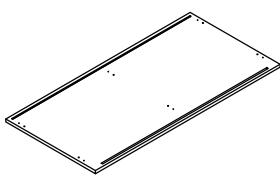
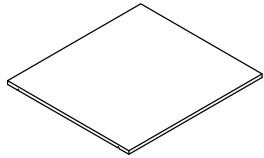
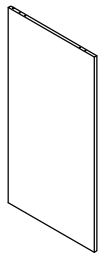
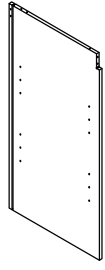
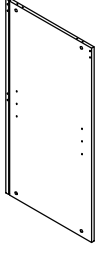

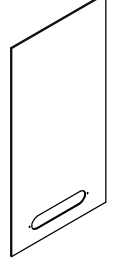
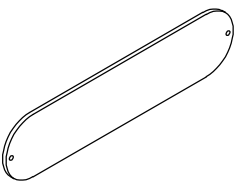
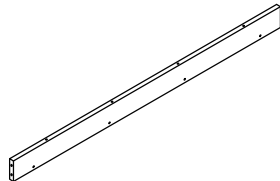
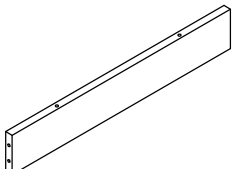
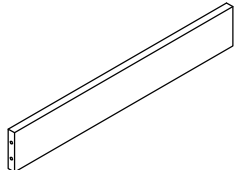
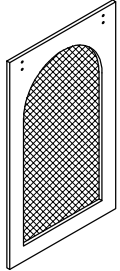
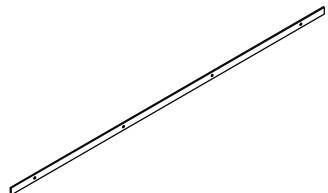
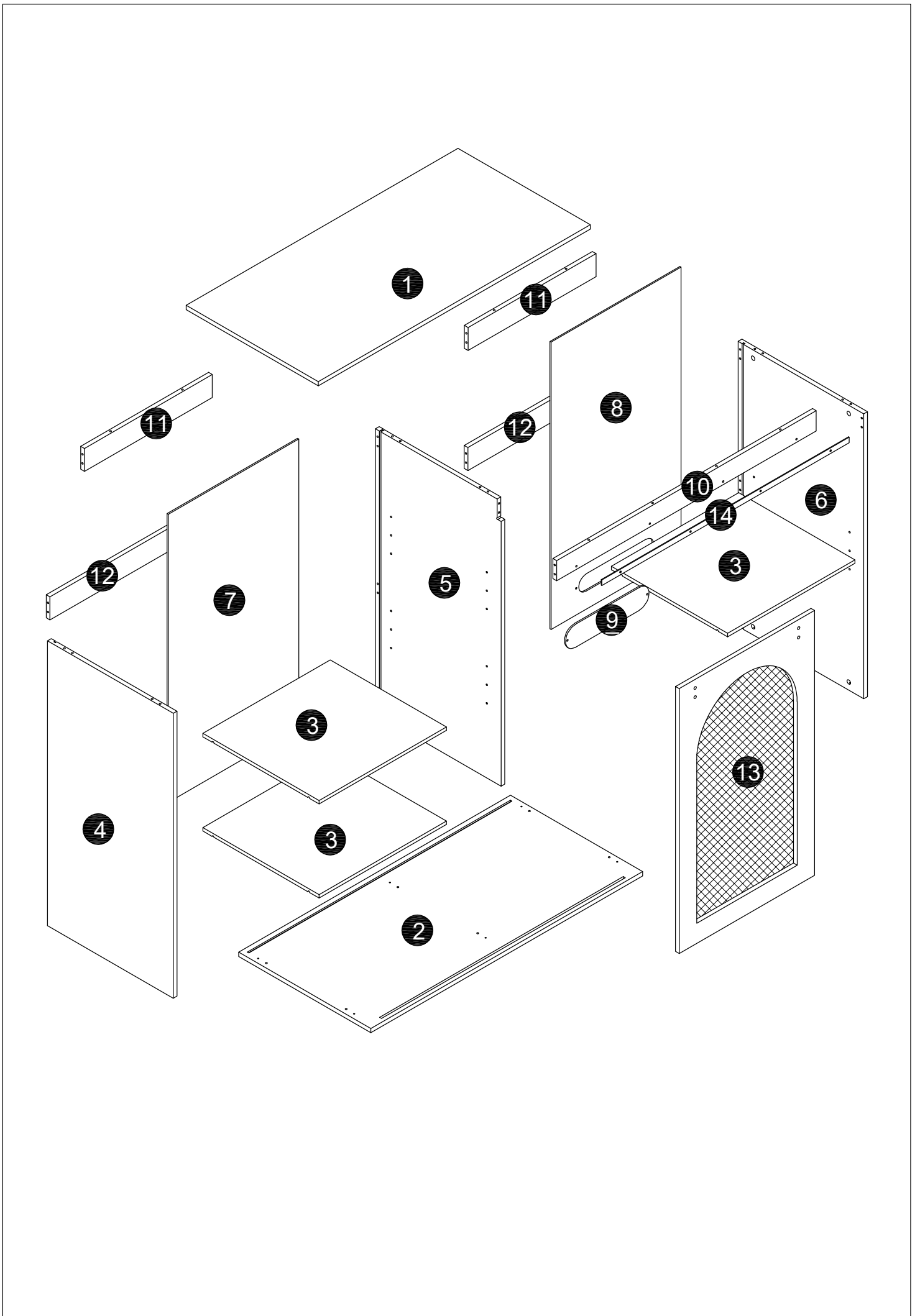


HARDWARE LIST

<p>A</p>  <p>6×35mm 42(+2)PCS</p>	<p>B</p>  <p>42(+2)PCS</p>	<p>C</p>  <p>6×30mm 12(+1)PCS</p>	<p>D</p>  <p>M3.5×12mm 4PCS</p>	<p>E</p>  <p>M3×14mm 12(+1) PCS</p>
<p>F</p>  <p>15×14×10mm 12(+1) PCS</p>	<p>G</p>  <p>12(+1) PCS</p>	<p>H</p>  <p>M6×25mm 4 PCS</p>	<p>J</p>  <p>M6×12mm 2 PCS</p>	<p>K</p>  <p>2 PCS</p>
<p>L</p>  <p>2 PCS</p>	<p>M</p>  <p>4 PCS</p>	<p>N</p>  <p>M4×4mm 2 PCS</p>	<p>O</p>  <p>M4×9mm 2 PCS</p>	<p>P</p>  <p>M6×12mm 4 PCS</p>

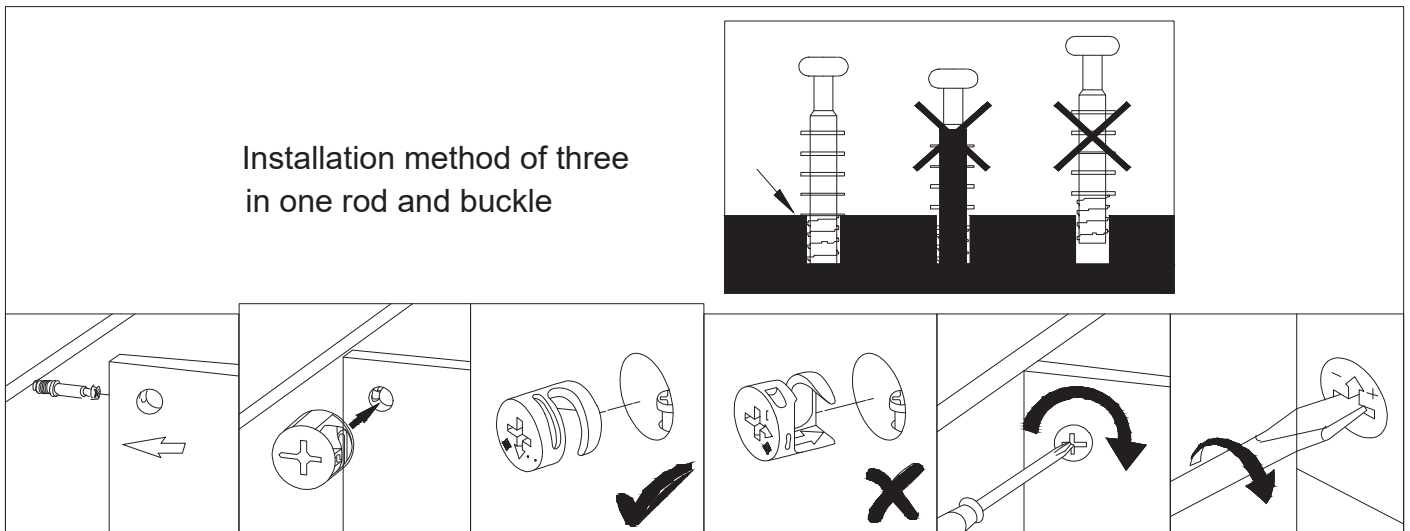
PANEL LIST

<p>1</p>  <p>1PC</p>	<p>2</p>  <p>1PC</p>	<p>3</p>  <p>3 PCS</p>	<p>4</p>  <p>1PC</p>
<p>5</p>  <p>1PC</p>	<p>6</p>  <p>1PC</p>	<p>7</p>  <p>1PC</p>	<p>8</p>  <p>1PC</p>
<p>9</p>  <p>1PC</p>	<p>10</p>  <p>1PC</p>	<p>11</p>  <p>2 PCS</p>	<p>12</p>  <p>2 PCS</p>
<p>13</p>  <p>1PC</p>	<p>14</p>  <p>1PC</p>		




TIPS

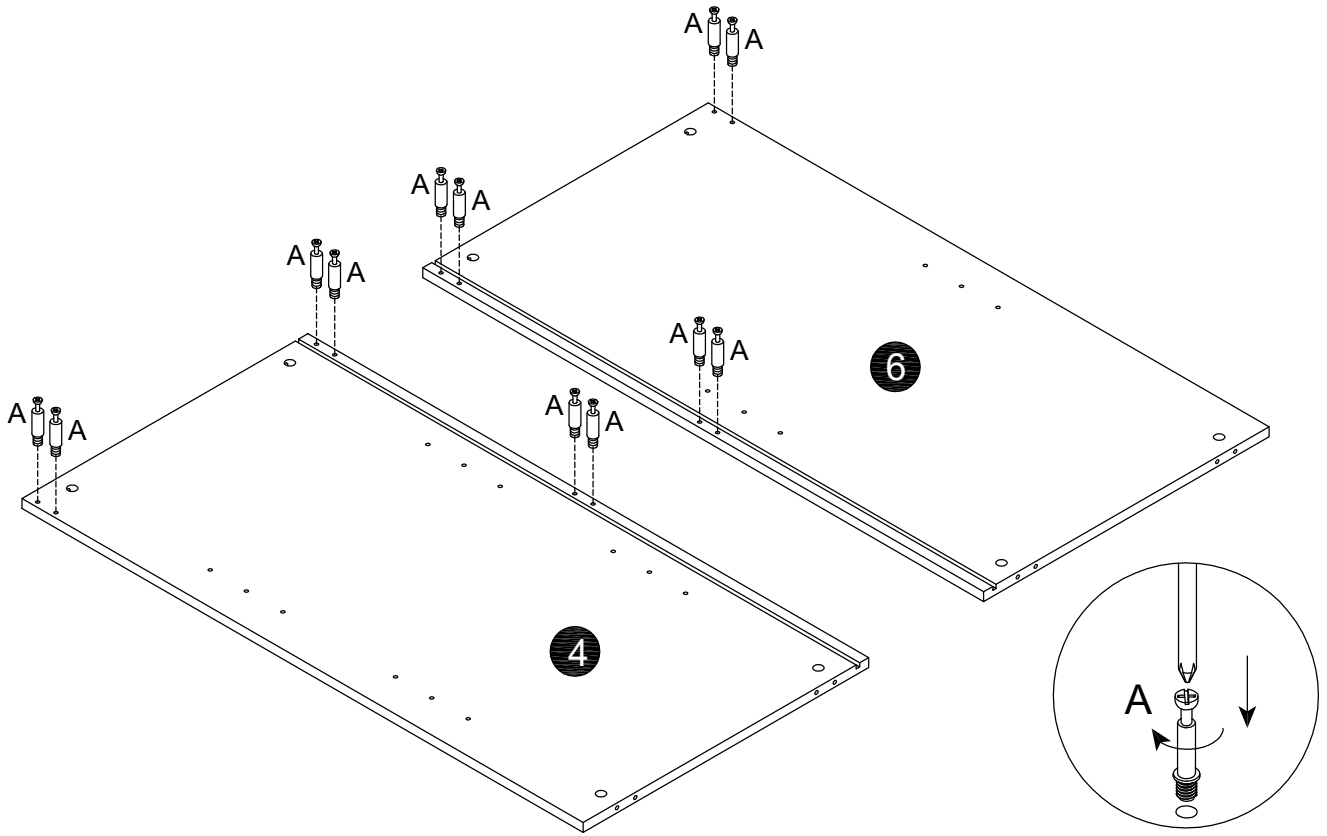
1. When installing the product, use a soft surface (such as carpet or cardboard) to avoid scratching or damaging the surface of the product.
2. Please try to use a manual screwdriver instead of electric screw driver. A manual screwdriver can be used to better control the tightness of the screws.
3. Do not use any glue.
4. The product is unstable before it is assembled. Please pay attention to the product installation sequence, and align all screws and screw holes before tightening.
5. The structure of this product can not meet the requirements of children climbing.



01

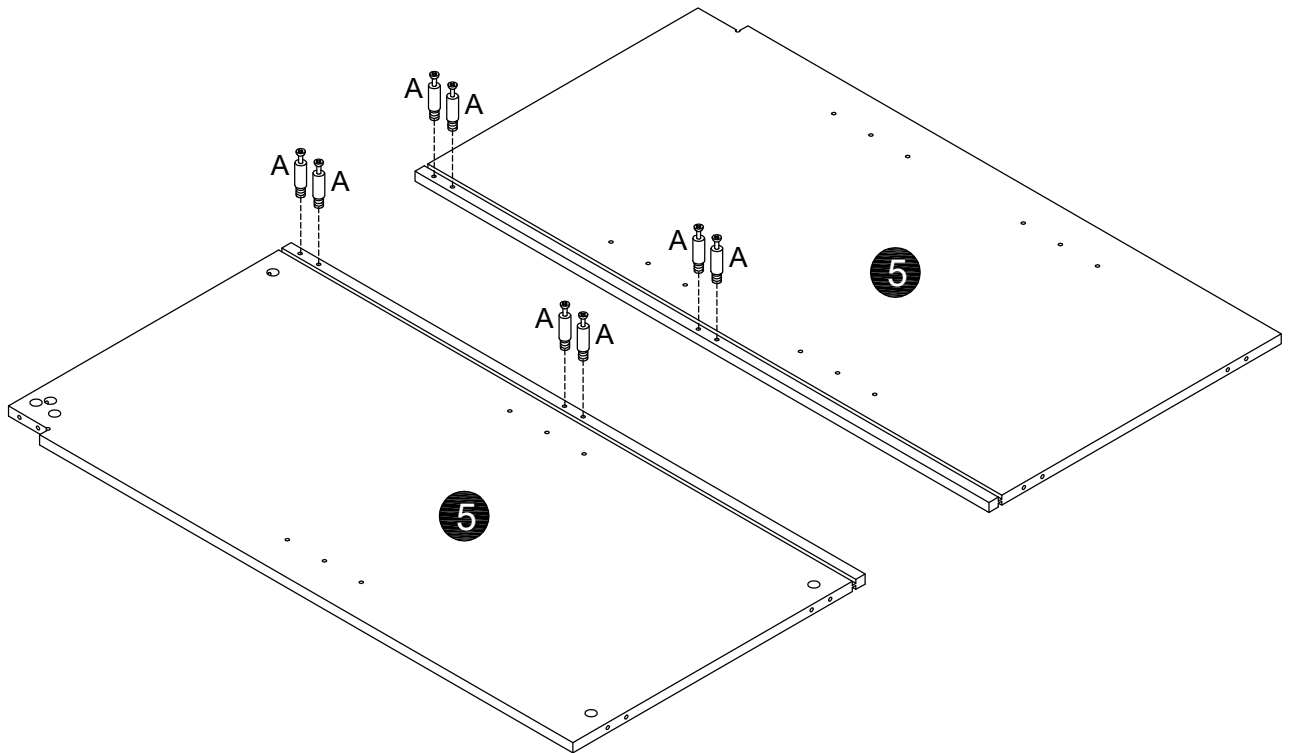
INSTALLATION STEPS

Ax12 





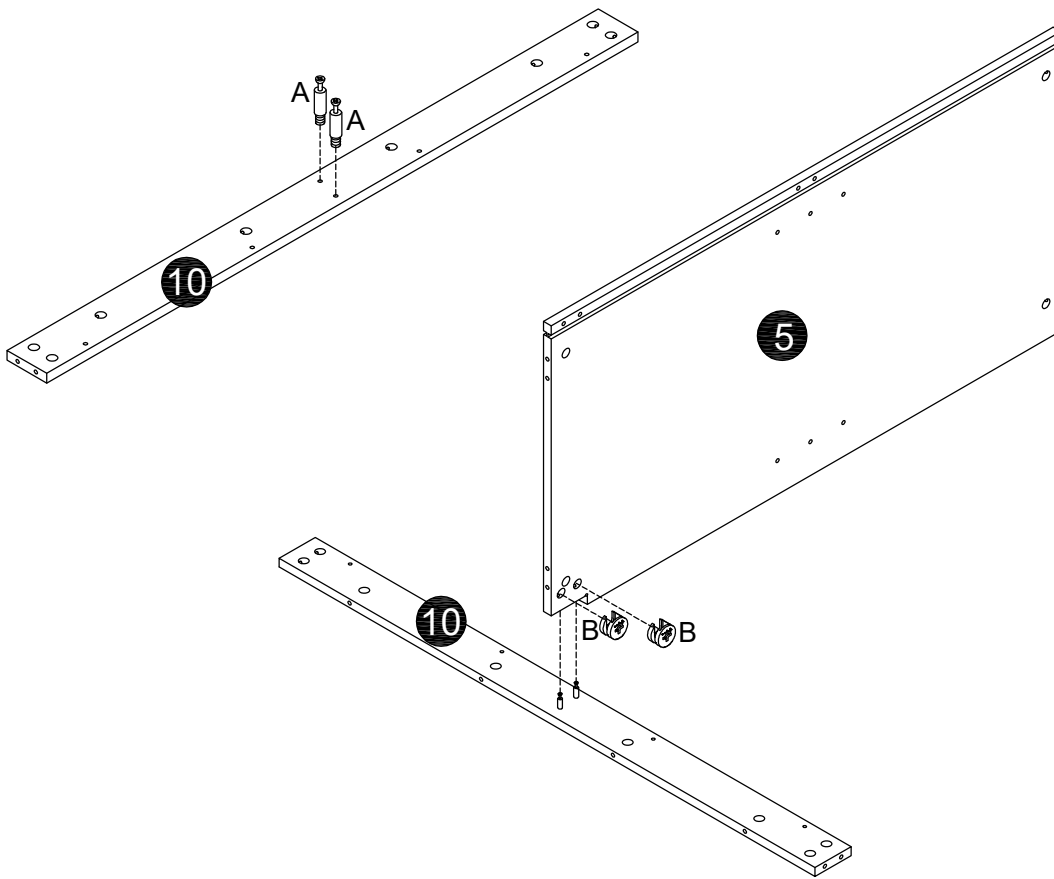
02

Ax8 




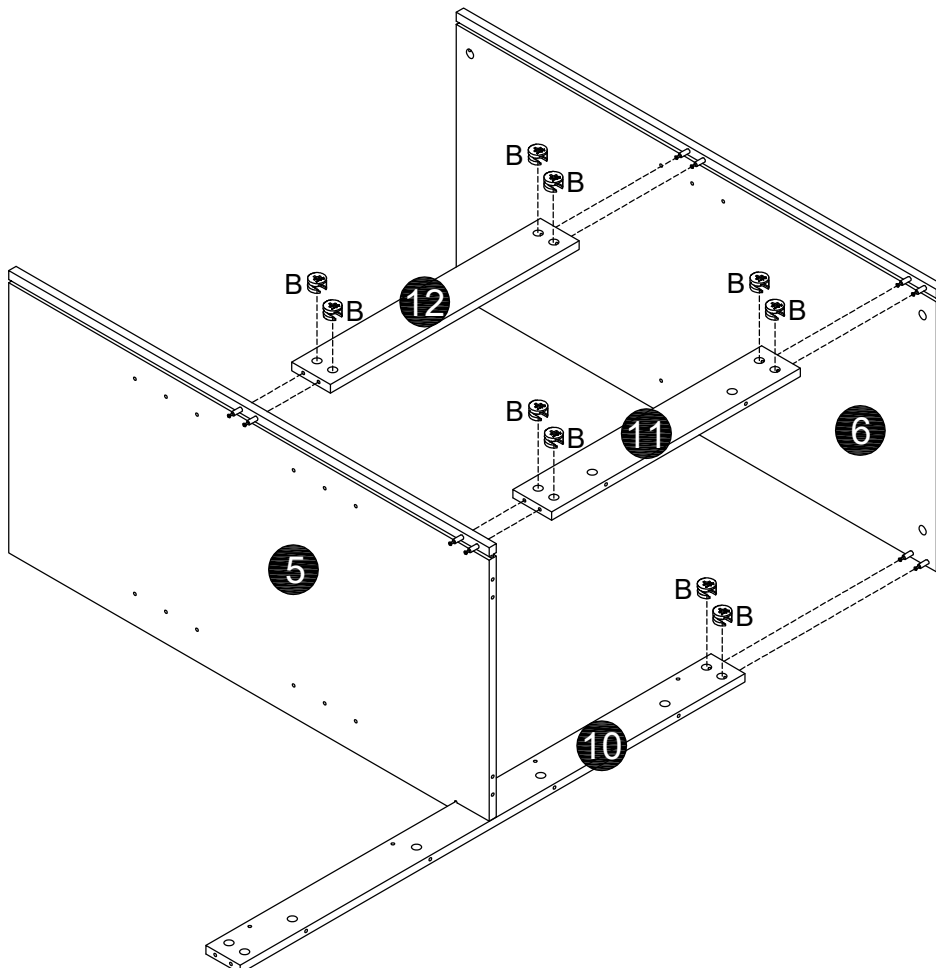
03

Ax2 
Bx2 




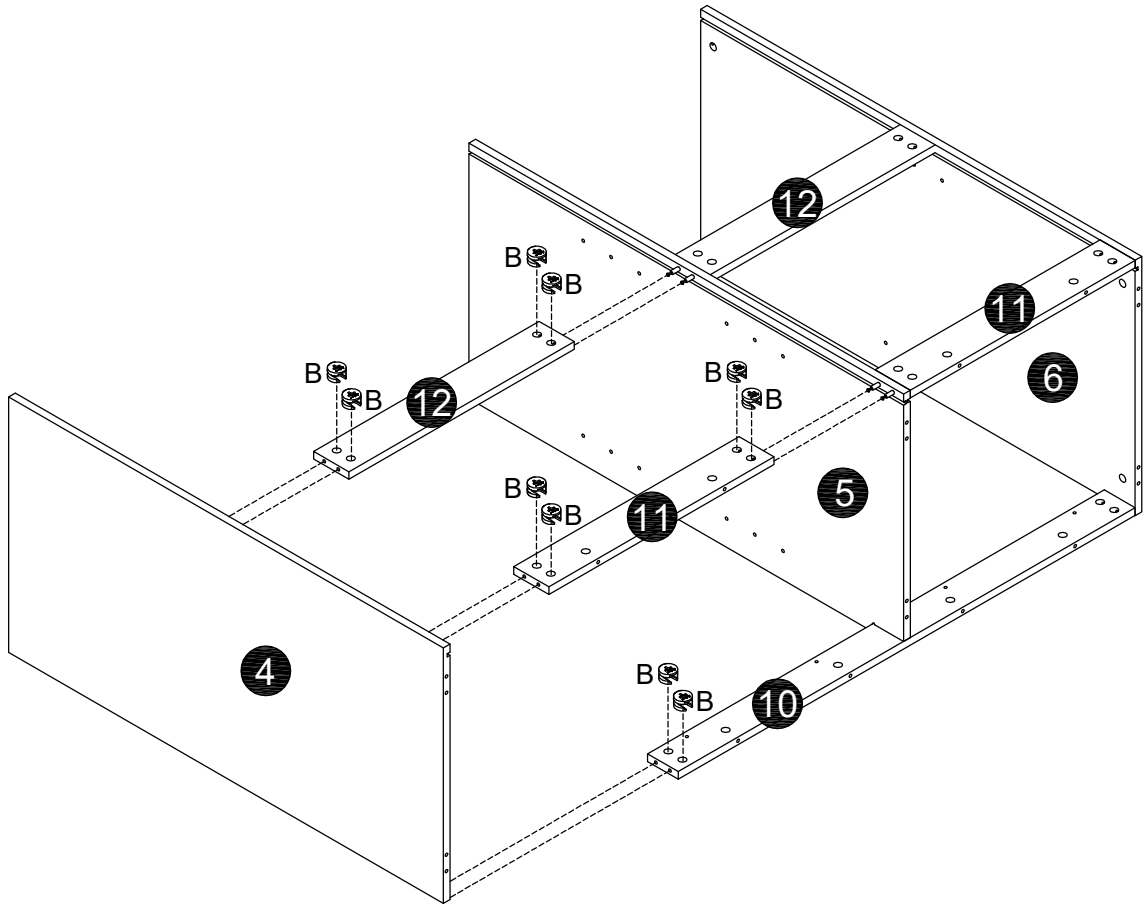
04

Bx10 




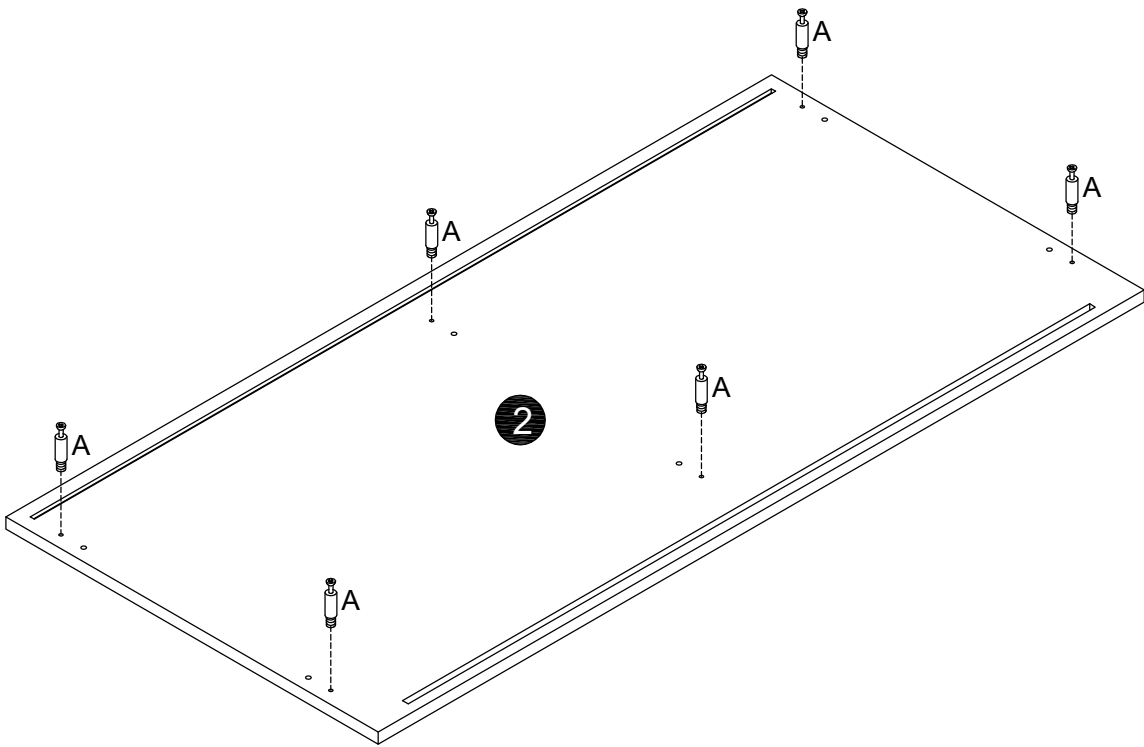
05

Bx10 





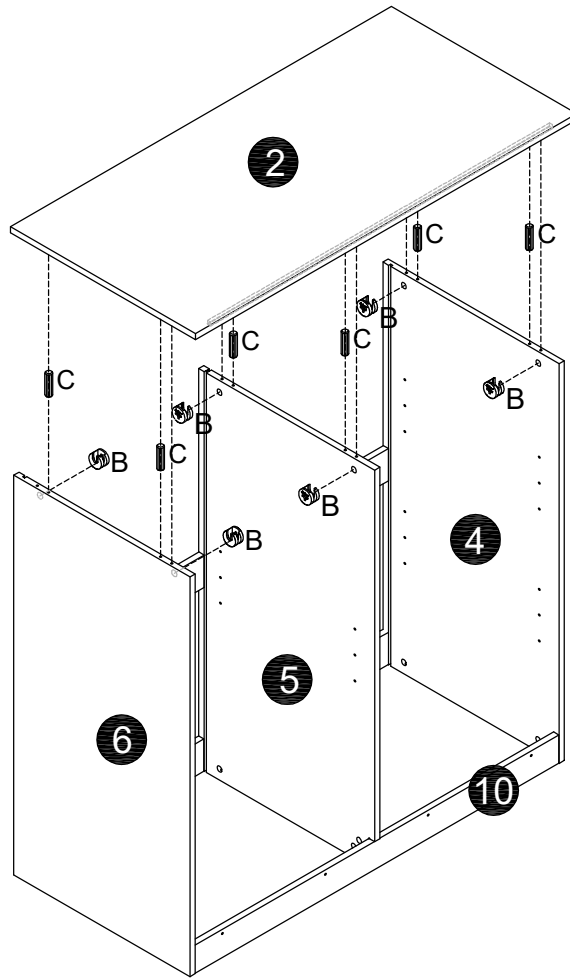
06

Ax6 





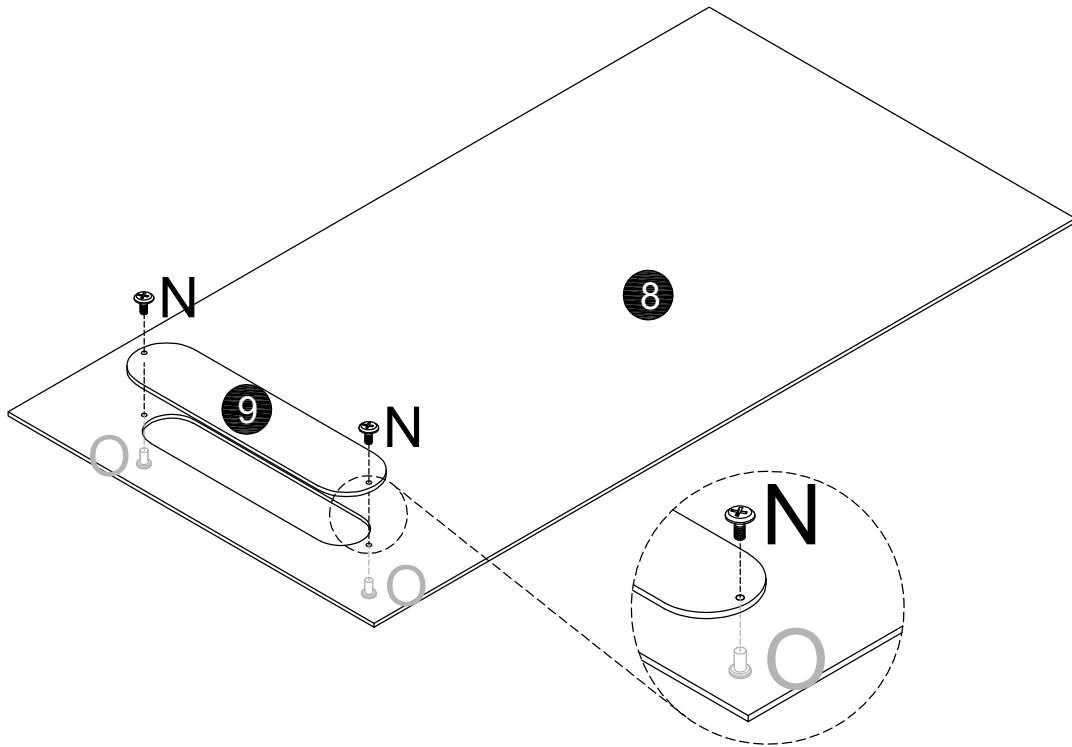
07

Bx6 
Cx6 

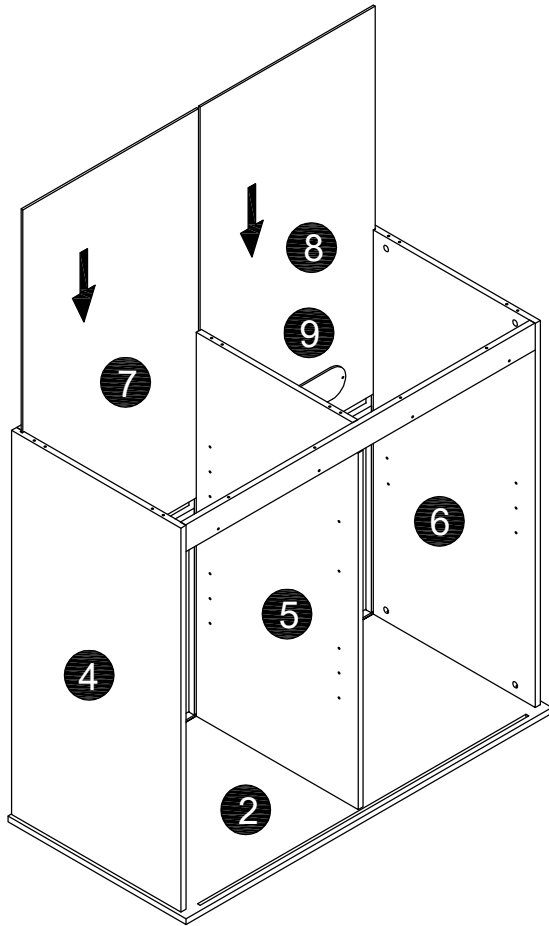


08


Nx2 
Ox2 

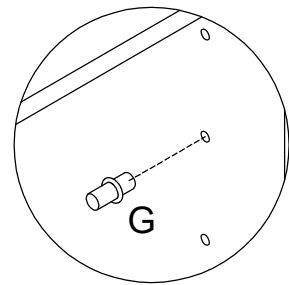
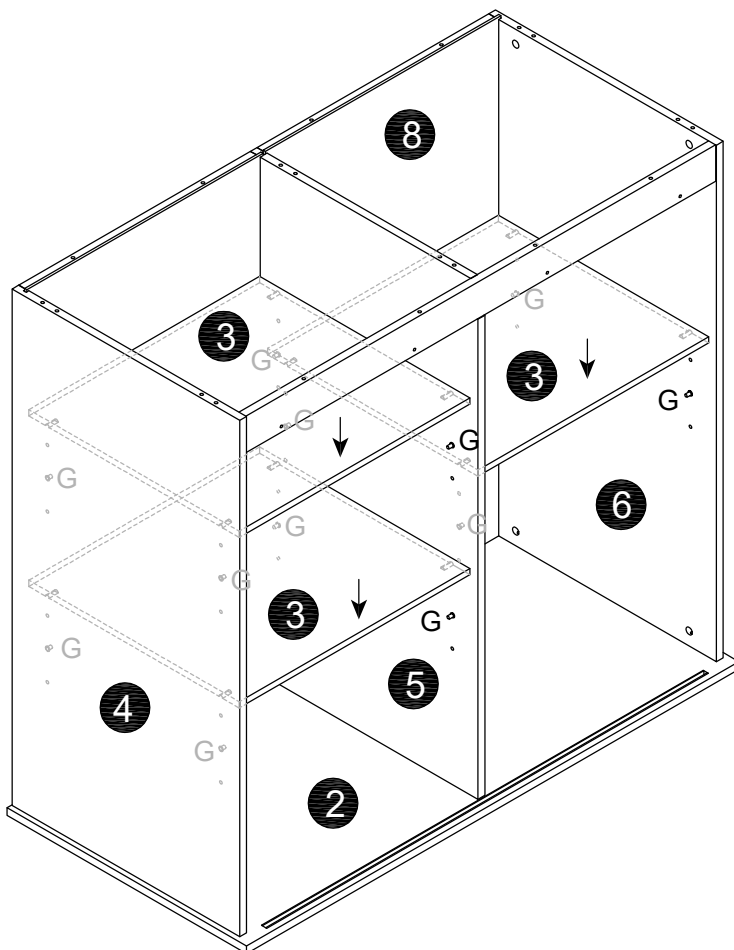


09







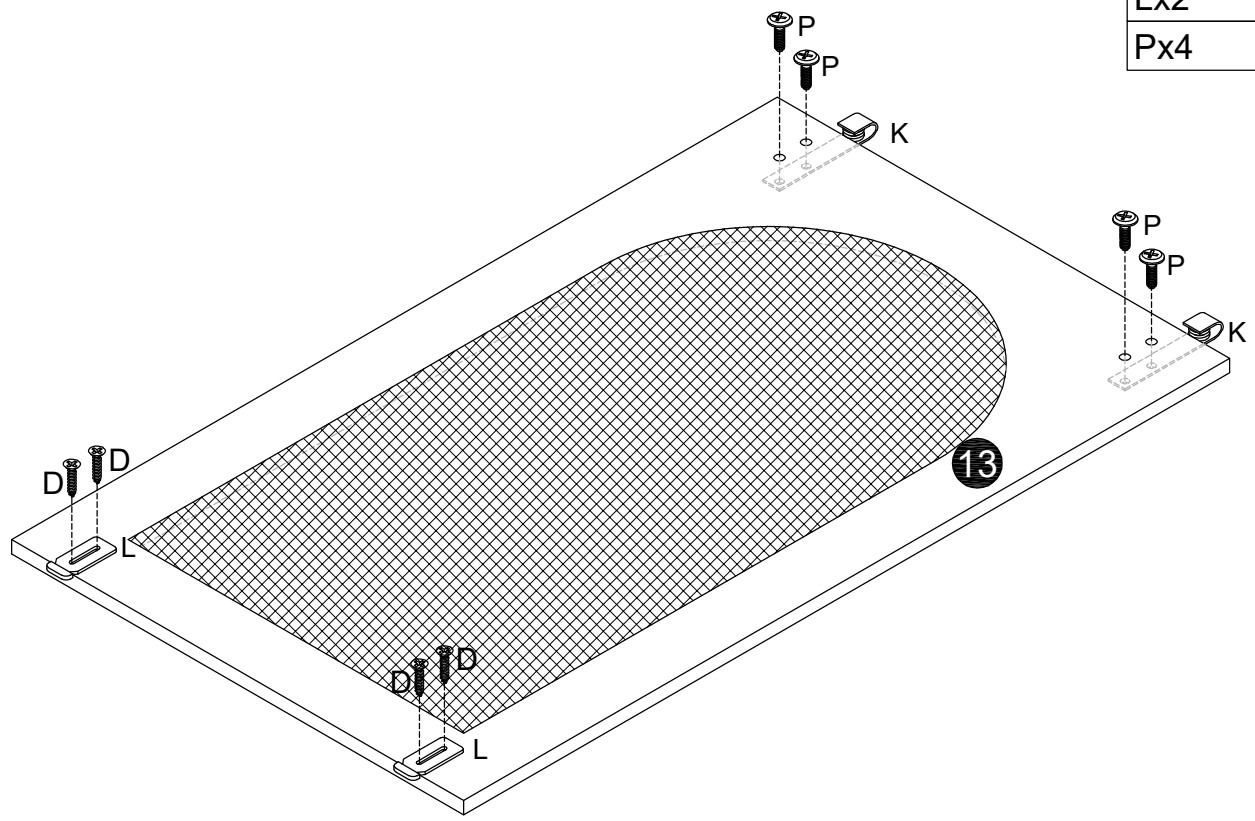
10

Gx12 

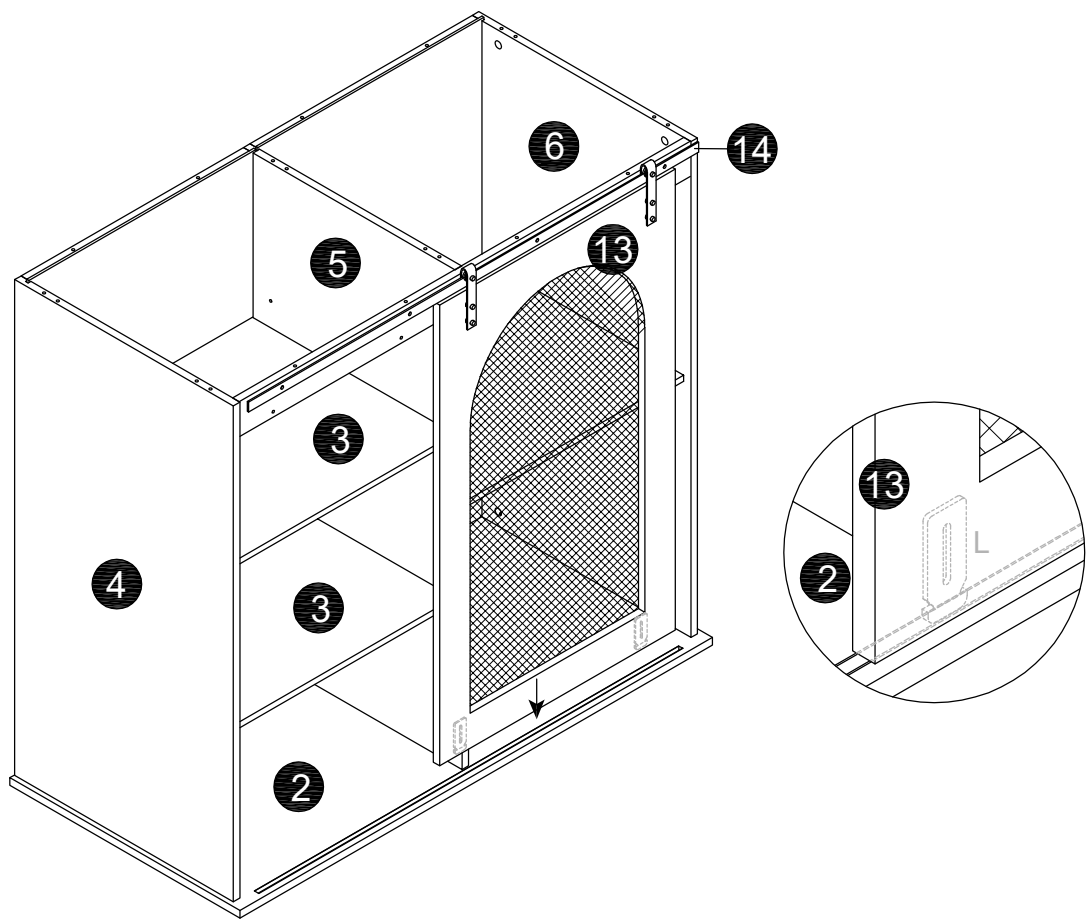


11

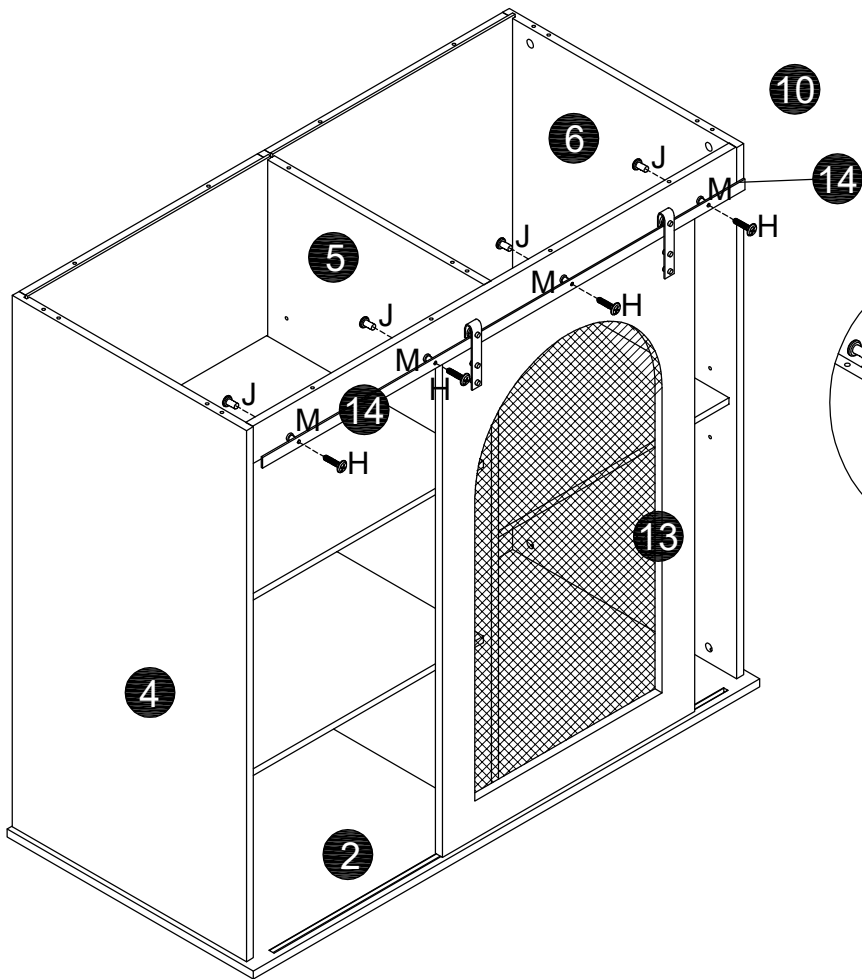
Dx4	
Kx2	
Lx2	
Px4	






12

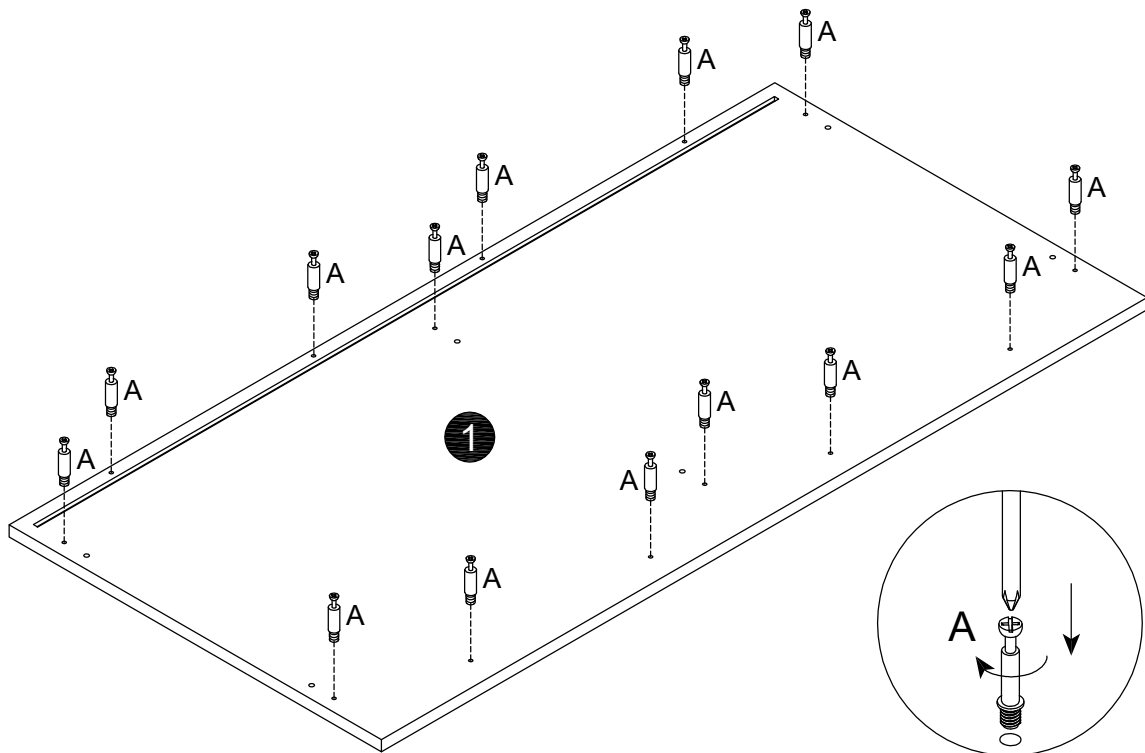



13





- Hx4 
- Jx4 
- Mx4 

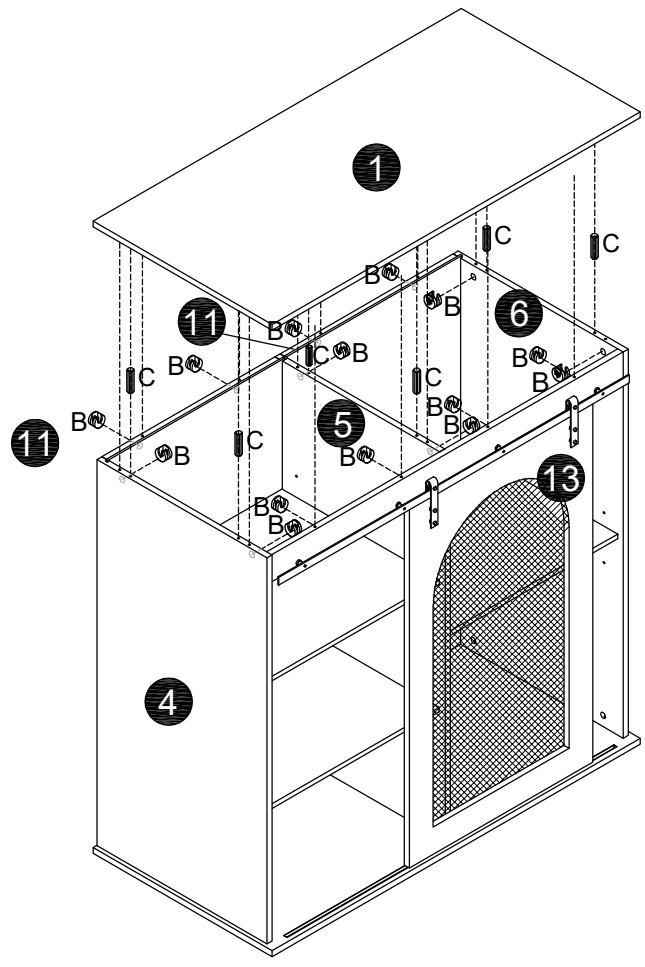
14




- Ax14 

15

Bx14 
Cx6 



16

Ex12 
Fx12 