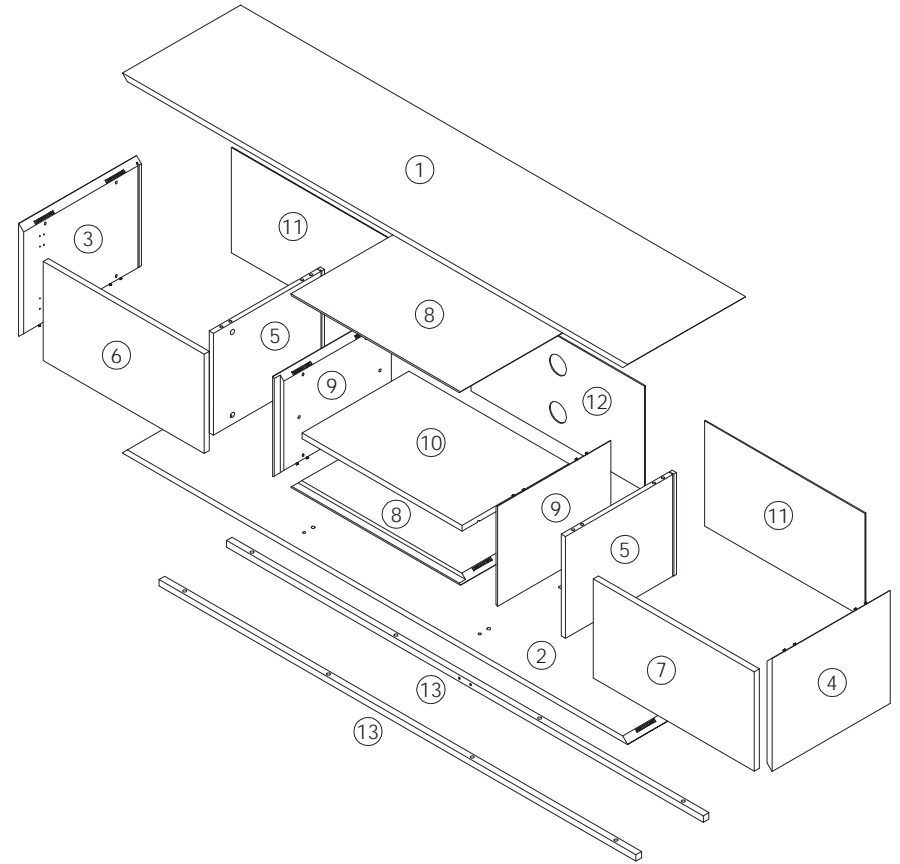
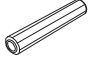



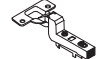
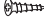


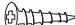











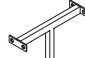



# Assembly Instructions

## BODIE-71 Media Stand

PLEASE NOTE: Check that you have received all components and hardware before assembling. If you are missing any parts, contact your retailer.



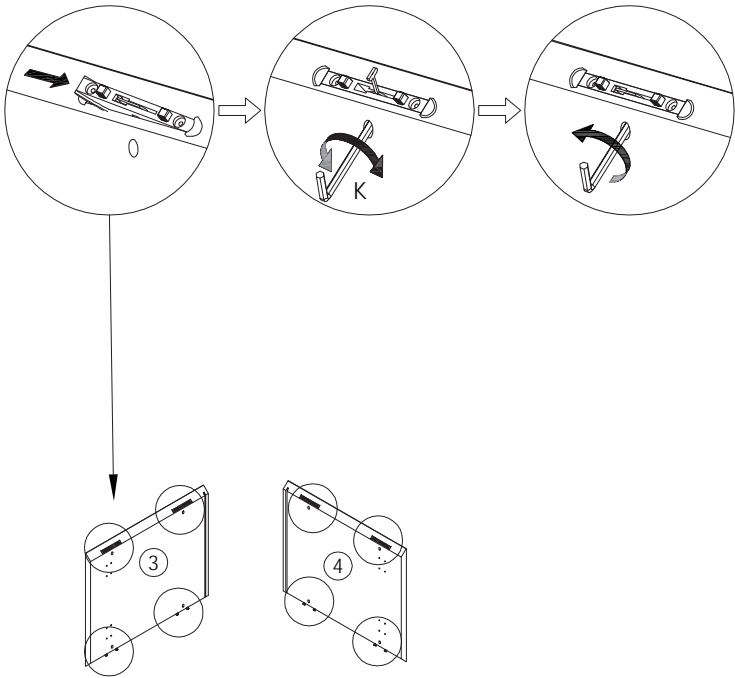
- |  |  |   |   |   |   |  |   |   |   |
|--|--|---|---|---|---|--|---|---|---|
| <br>A (8 pcs)<br>8x35mm    | <br>B (8 pcs)<br>15x12mm   | <br>C (8 pcs)<br>7x35mm   | <br>D (4 pcs)             | <br>E (4 pcs)               |   |  |   |   |   |
| <br>F (2 pcs)<br>3x12mm   | <br>G (6 pcs)<br>3.5x12mm | <br>H (6 pcs)<br>3x18mm  | <br>I (24 pcs)<br>4x15mm | <br>J (4 pcs)              | <br>P (20 pcs)<br>6x10x2mm   | <br>Q (6 pcs)                 | <br>R (2 pc) | <br>S (2 pc) | <br>T (2 pc) |
| <br>K (1 pc)<br>4x70x50mm | <br>L (2 pcs)<br>6.5x47mm | <br>M (12 pcs)<br>6x20mm | <br>N (8 pcs)<br>6x35mm  | <br>O (20 pcs)<br>6x14x2mm | <br>U (1 pc)<br>219x145x60mm | <br>V (2 pcs)<br>410x140x80mm |   |   |   |

During assembly, hand tighten screws only. When the screws are in place, tighten completely.

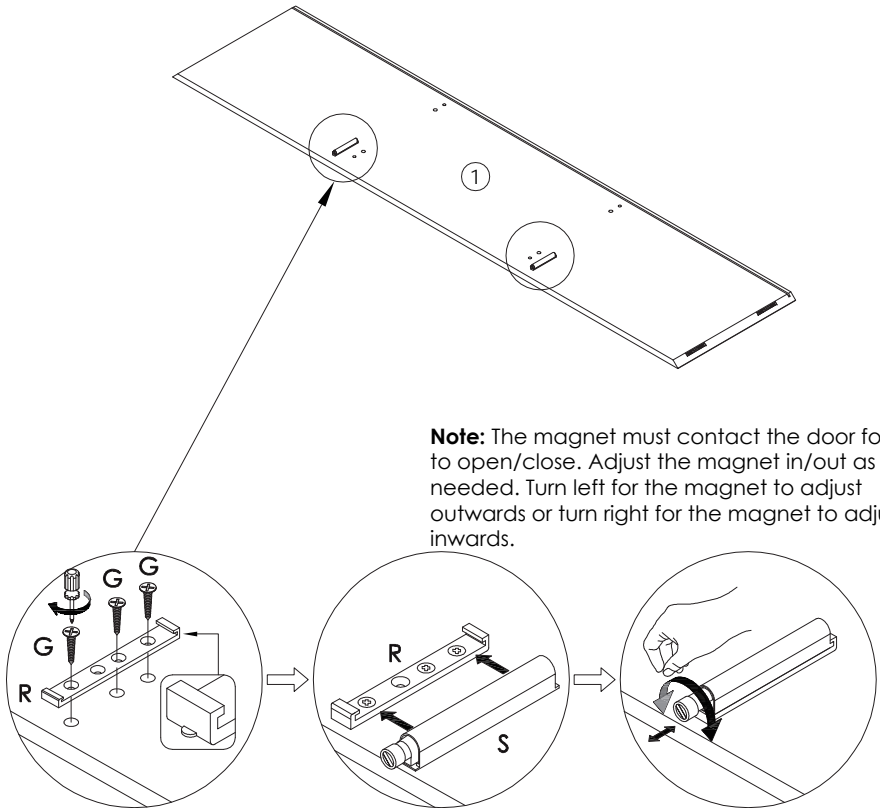
# Assembly Instructions BODIE-71 Media Stand

PLEASE NOTE: Check that you have received all components and hardware before assembling. If you are missing any parts, contact your retailer.

1



2



**Note:** The magnet must contact the door for it to open/close. Adjust the magnet in/out as needed. Turn left for the magnet to adjust outwards or turn right for the magnet to adjust inwards.

During assembly, hand tighten screws only. When the screws are in place, tighten completely.

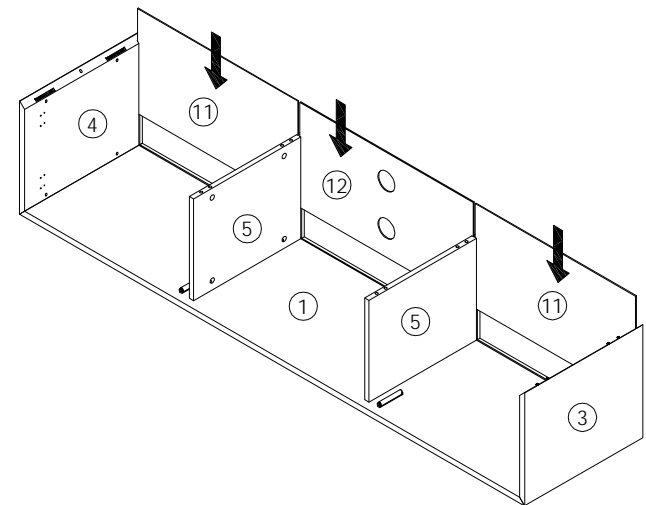
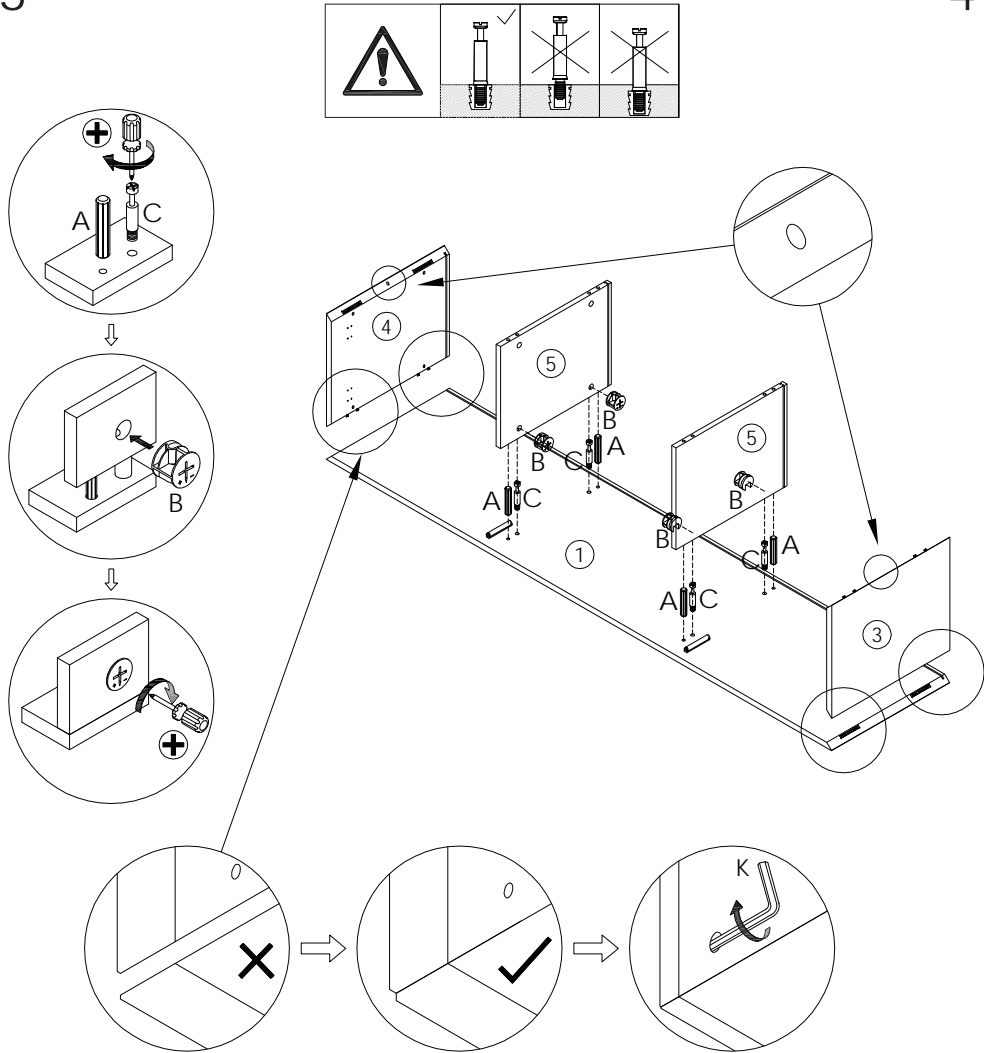
# Assembly Instructions

## BODIE-71 Media Stand

PLEASE NOTE: Check that you have received all components and hardware before assembling. If you are missing any parts, contact your retailer.

3

4



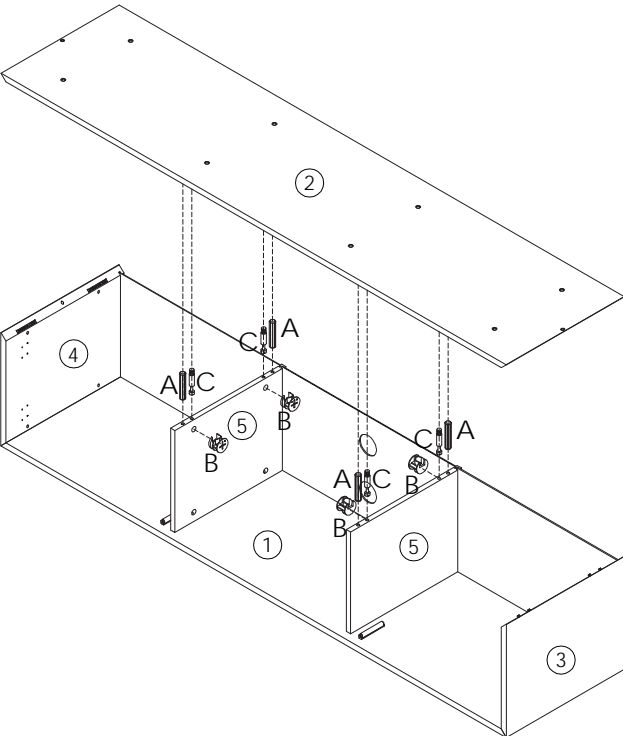
During assembly, hand tighten screws only. When the screws are in place, tighten completely.

# Assembly Instructions

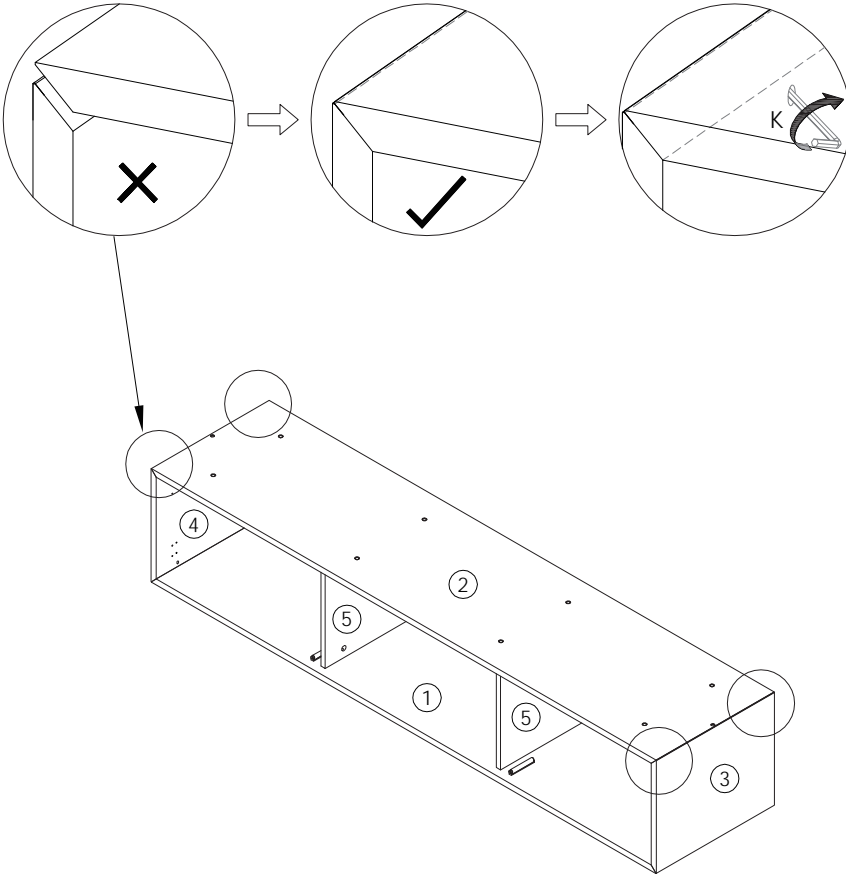
## BODIE-71 Media Stand

PLEASE NOTE: Check that you have received all components and hardware before assembling. If you are missing any parts, contact your retailer.

5



6

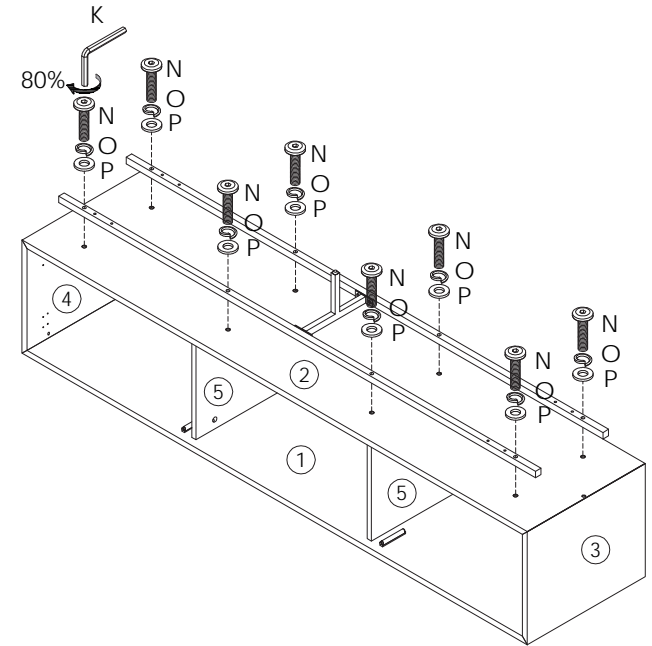
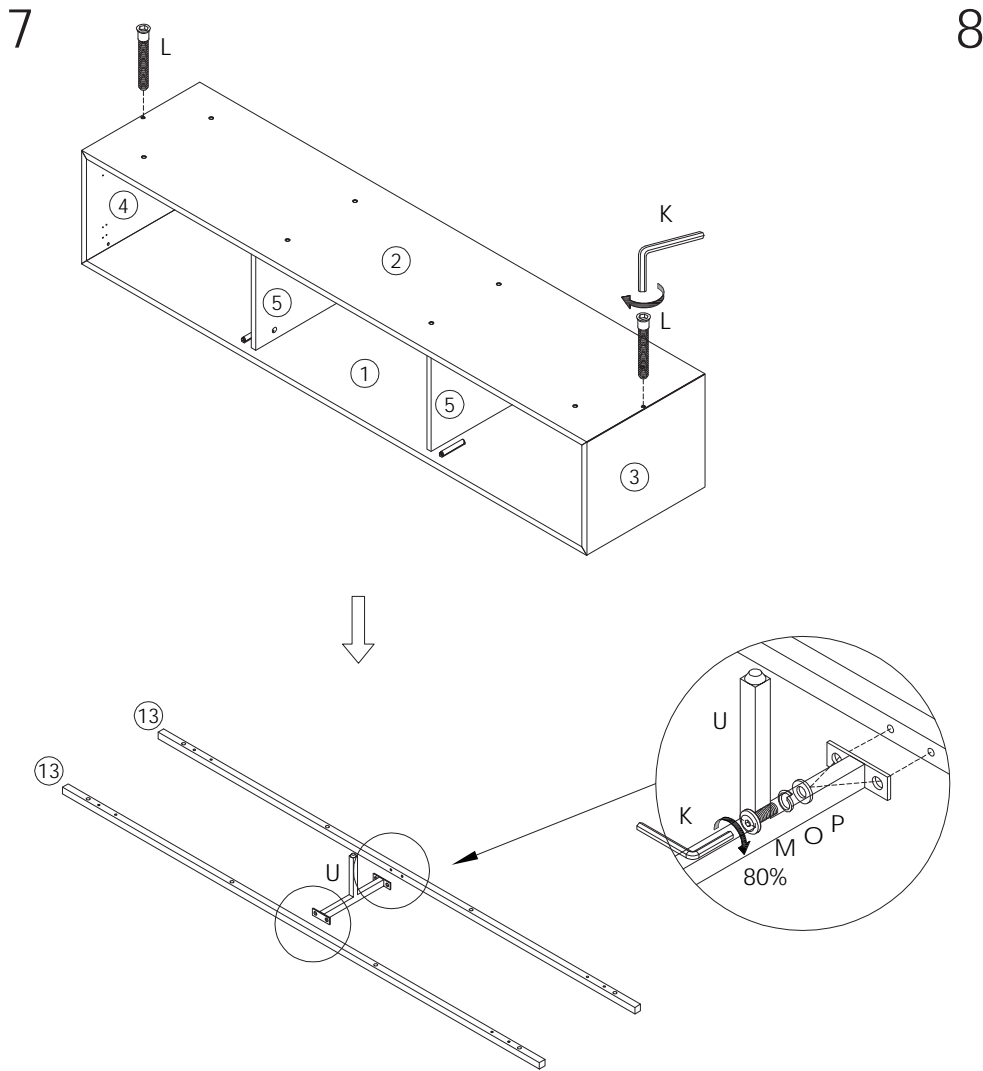


During assembly, hand tighten screws only. When the screws are in place, tighten completely.

# Assembly Instructions

## BODIE-71 Media Stand

PLEASE NOTE: Check that you have received all components and hardware before assembling. If you are missing any parts, contact your retailer.



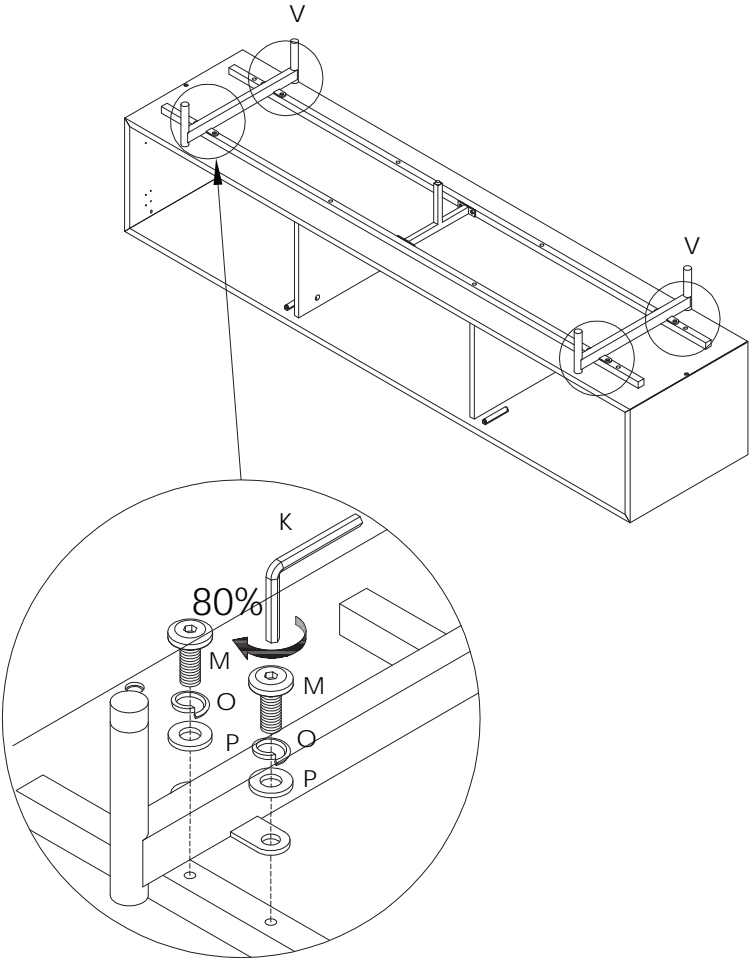
During assembly, hand tighten screws only. When the screws are in place, tighten completely.

# Assembly Instructions

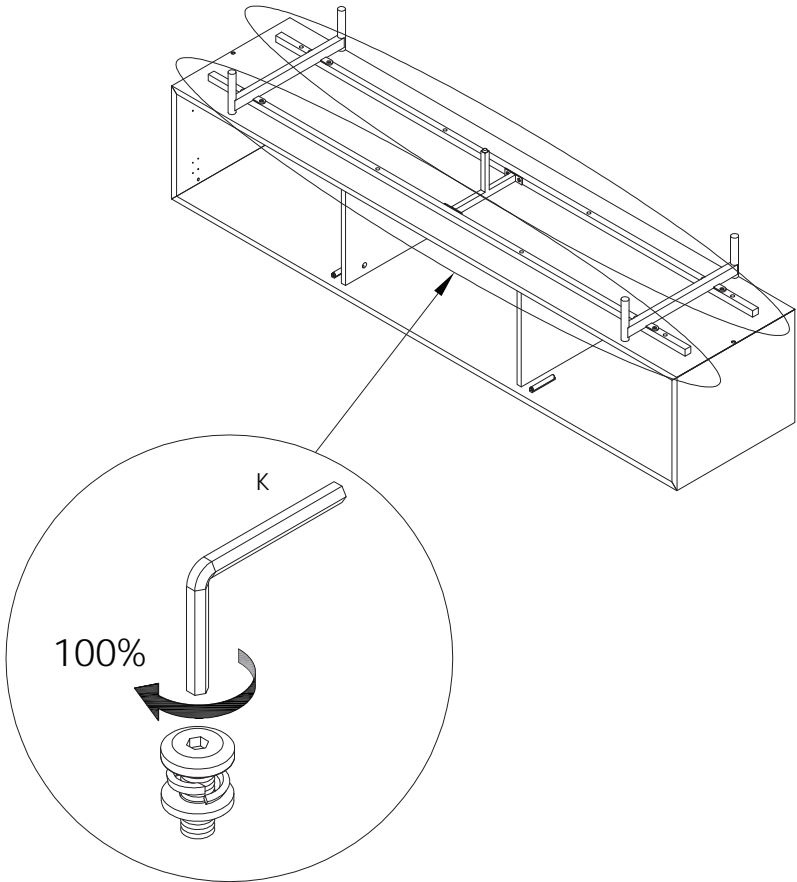
## BODIE-71 Media Stand

PLEASE NOTE: Check that you have received all components and hardware before assembling. If you are missing any parts, contact your retailer.

9



10



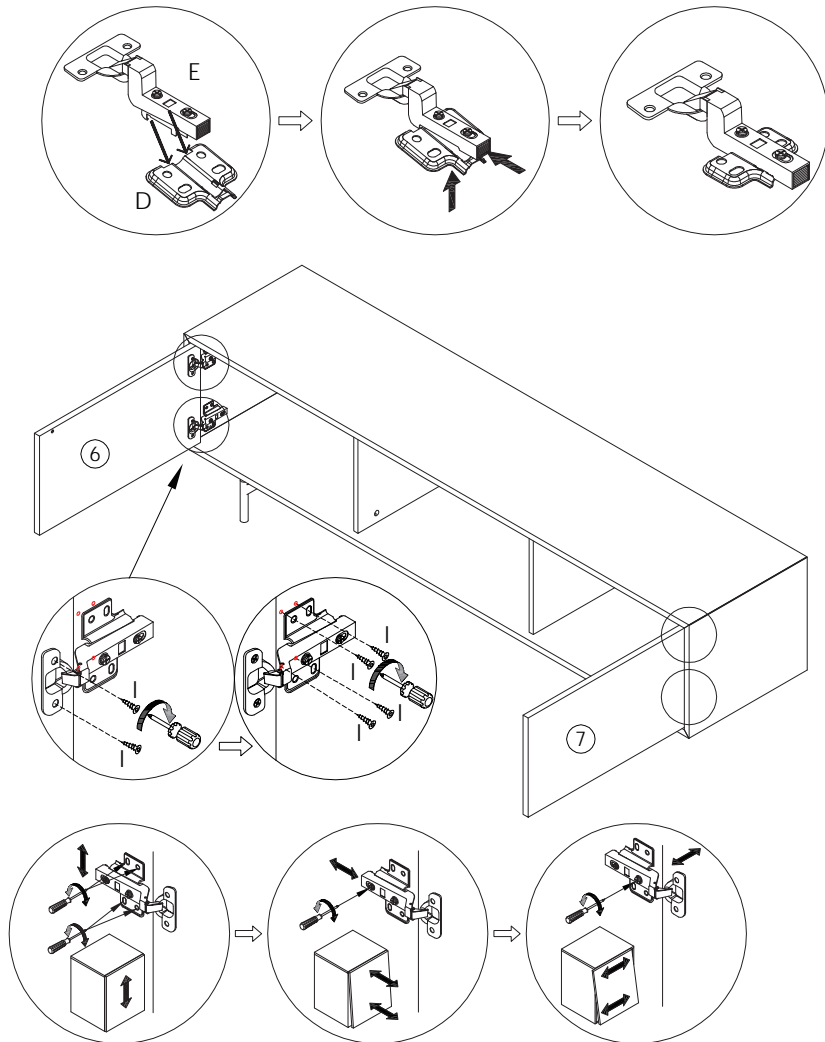
During assembly, hand tighten screws only. When the screws are in place, tighten completely.

# Assembly Instructions

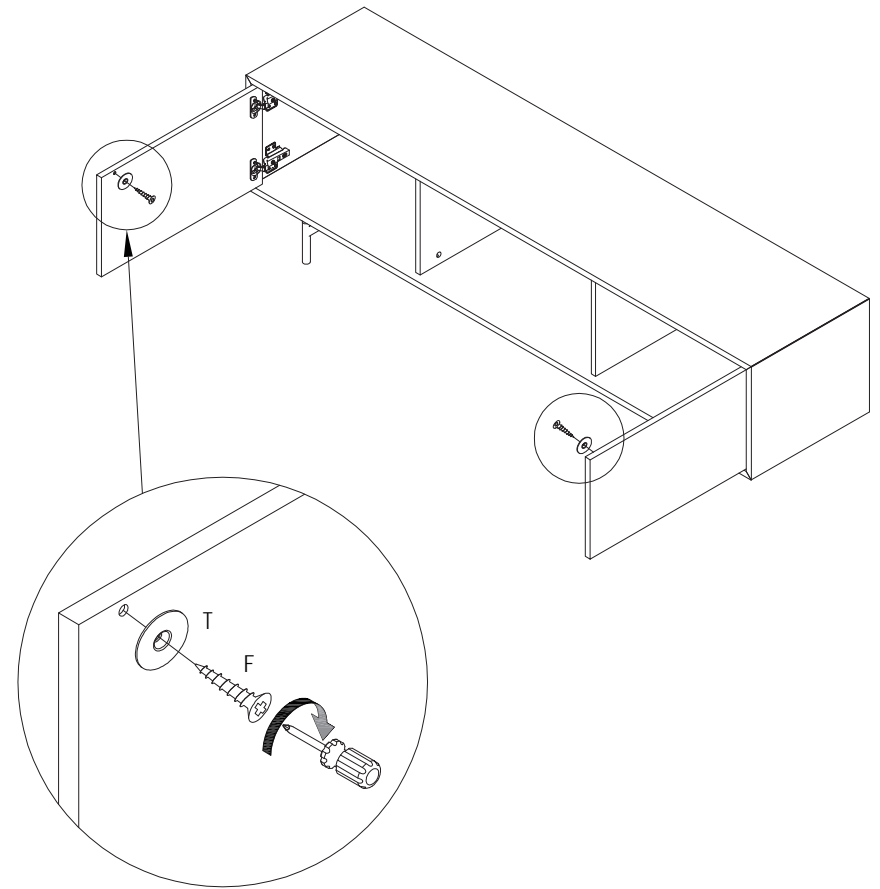
## BODIE-71 Media Stand

PLEASE NOTE: Check that you have received all components and hardware before assembling. If you are missing any parts, contact your retailer.

11



12

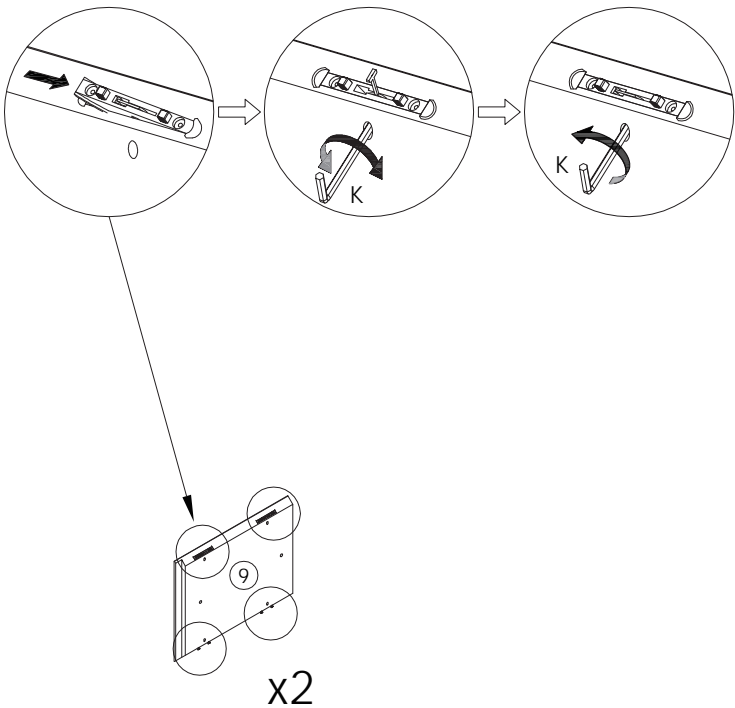


During assembly, hand tighten screws only. When the screws are in place, tighten completely.

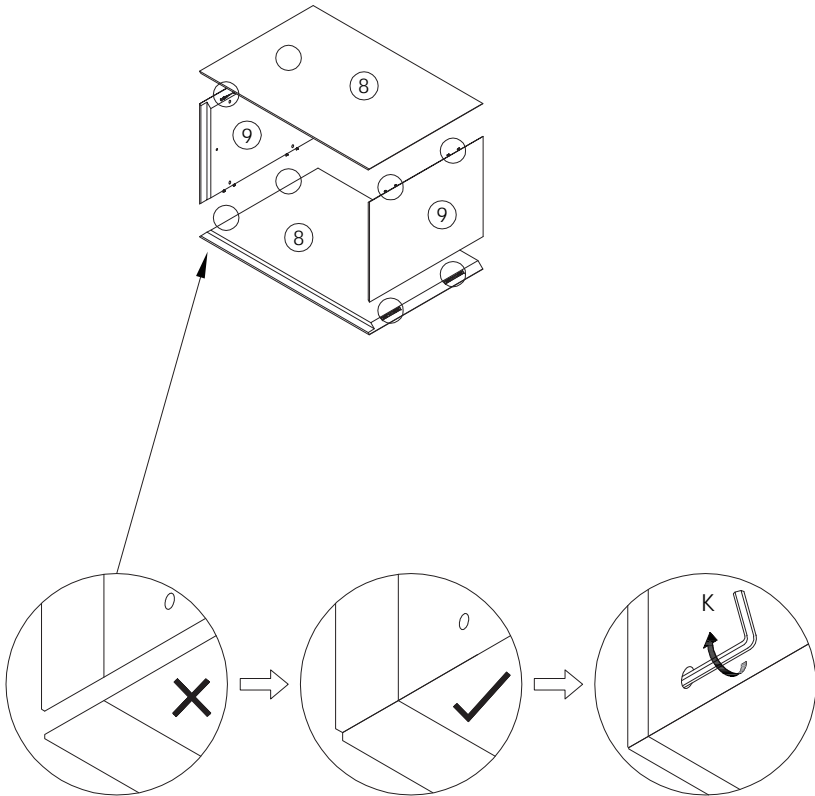
# Assembly Instructions BODIE-71 Media Stand

PLEASE NOTE: Check that you have received all components and hardware before assembling. If you are missing any parts, contact your retailer.

13



14



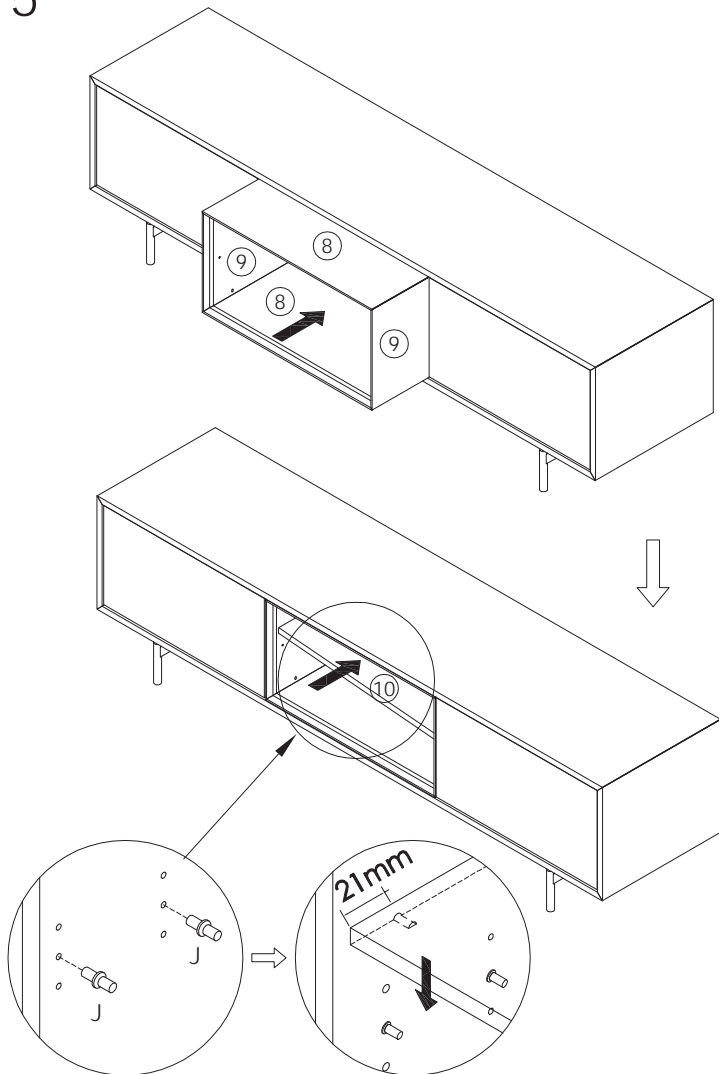
During assembly, hand tighten screws only. When the screws are in place, tighten completely.

# Assembly Instructions

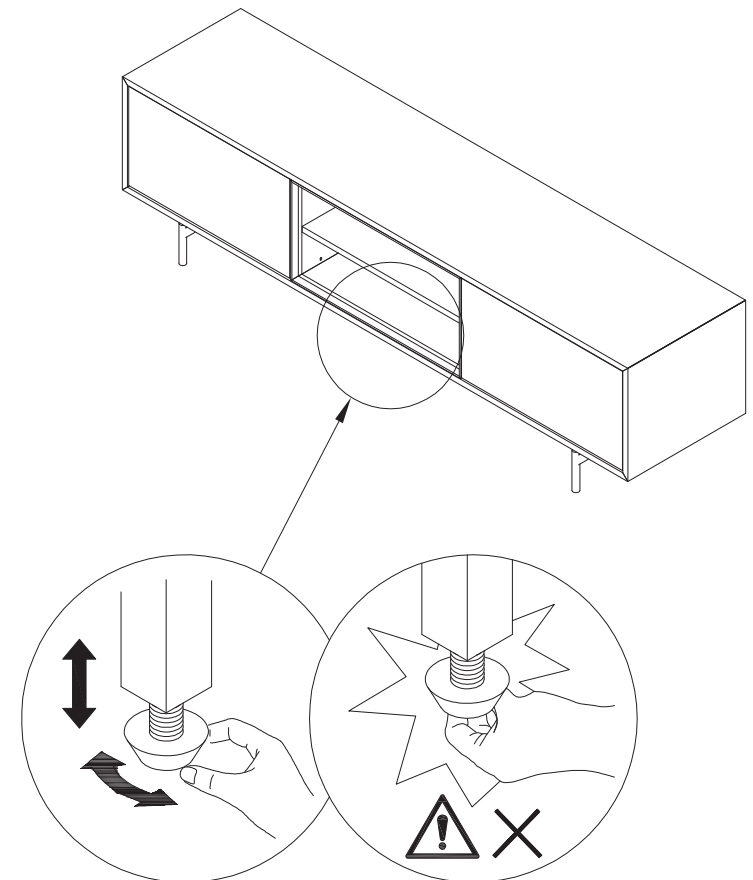
## BODIE-71 Media Stand

PLEASE NOTE: Check that you have received all components and hardware before assembling. If you are missing any parts, contact your retailer.

15



16



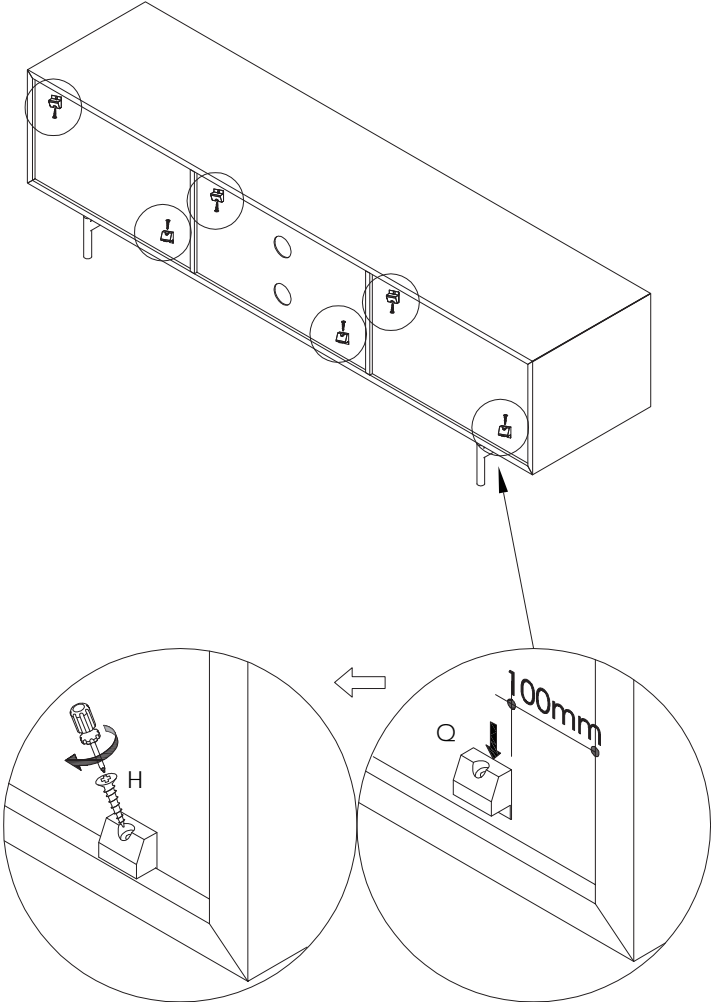
During assembly, hand tighten screws only. When the screws are in place, tighten completely.

# Assembly Instructions

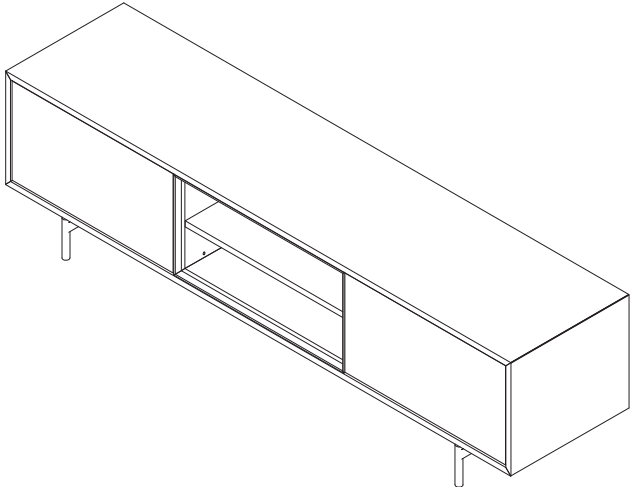
## BODIE-71 Media Stand

PLEASE NOTE: Check that you have received all components and hardware before assembling. If you are missing any parts, contact your retailer.

17



18



During assembly, hand tighten screws only. When the screws are in place, tighten completely.