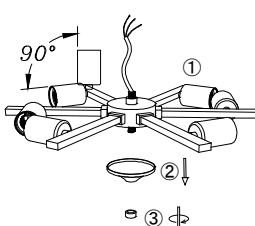
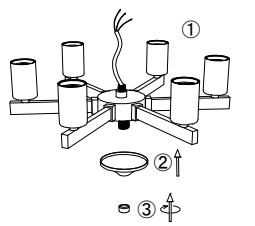


# Installation & Assembly

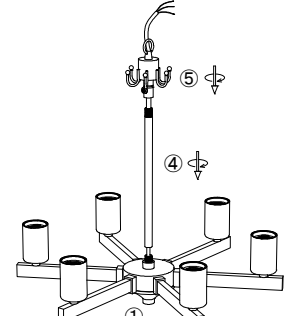
① light fixture 1pcs	⑤ hanging part 1pcs	⑦ PVC washer 24pcs	⑩ hook tube 6pcs	⑫ canopy 1pcs
② cover		⑧ screw 24pcs		⑬ cap nut 2pcs
③ end cap				X 1PCS
				X 3PCS
④ hanging tube 1pcs	⑥ glass piece 6pcs	⑨ metal plate 6pcs	⑪ chain 1pcs	X 1PCS
				X 3PCS
				X 3PCS
				X 3PCS



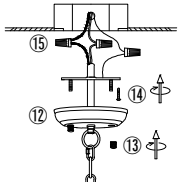
1. Loosen end cap ③ to remove out the end cap ③ and cover ②, upward the bulb holder 90 degree like picture shown.



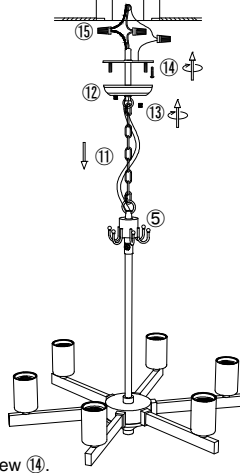
2. Close back the cover ② to the fixture with end cap ③.



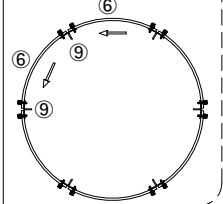
3. Let the wire of the fixture ① go through the hanging tube ④ and hanging part ⑤, rotate to install both parts to the fixture.



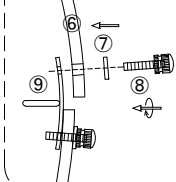
4. Hang the fixture to the canopy ⑫ with chain ⑪, let the wire go through the chain ⑪ and canopy ⑫.



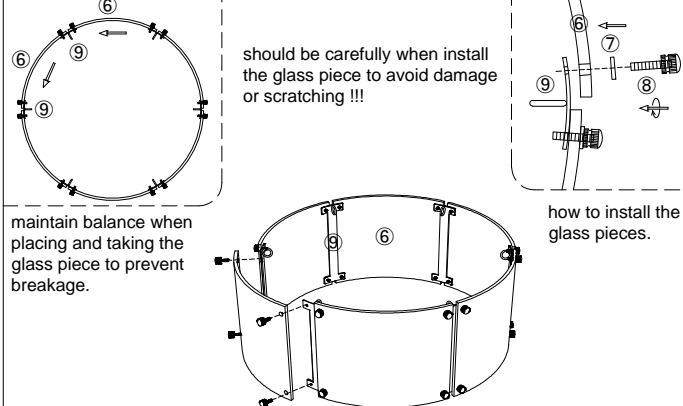
5. Install the bracket to the ceiling junction box with screw ⑭.



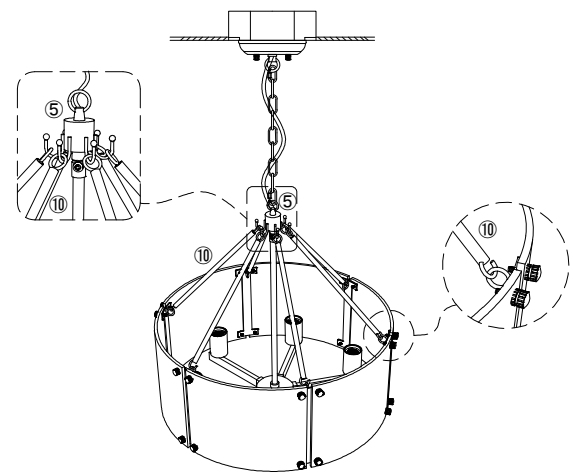
6. Connect the wire to the home line with cap connector ⑮.



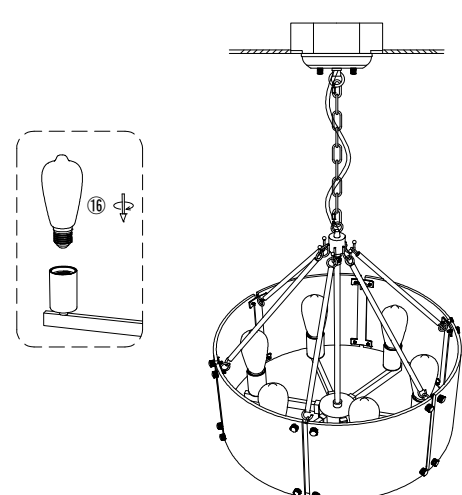
7. Install the fixture to the bracket with cap nut ⑬.



8. Assemble the glass pieces to be a completely lampshade with metal plate ⑨ and screw ⑧, please don't tighten the screw ⑧ until all screw ⑧ are ready in the hole of glass pieces, rotate to fasten the screw ⑧ at last. (should be carefully when install the glass piece to avoid damage or scratching !!!)



9. Hang the glass lampshade to the fixture with hook tube ⑩.



10. Install the bulb ⑯.

**Please read carefully before installation!!!**

**Note : Please make sure that the electricity is powered off during installation !**

**Only a professional electrician should install this kind of product !**