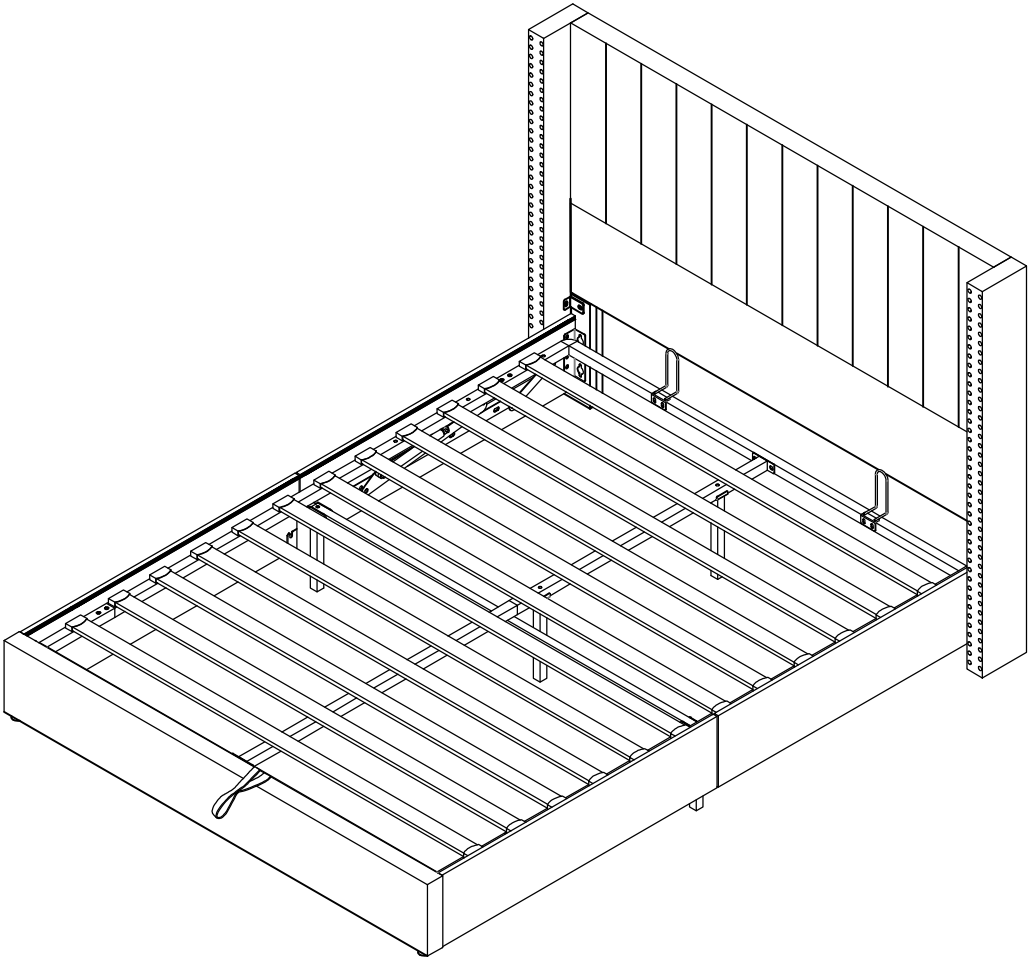


Upholstered Platform Bed with Tufted Wingback Headboard.

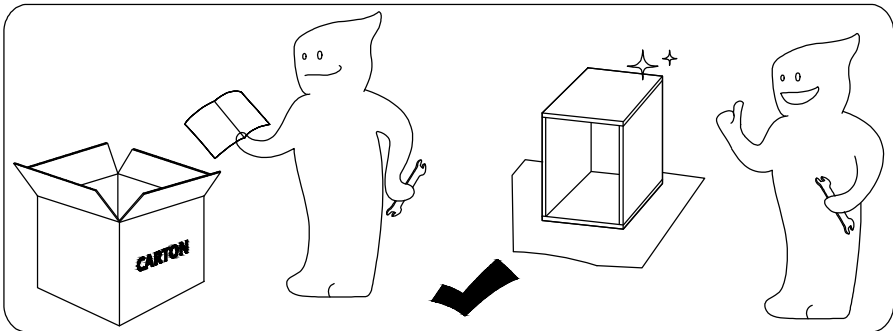
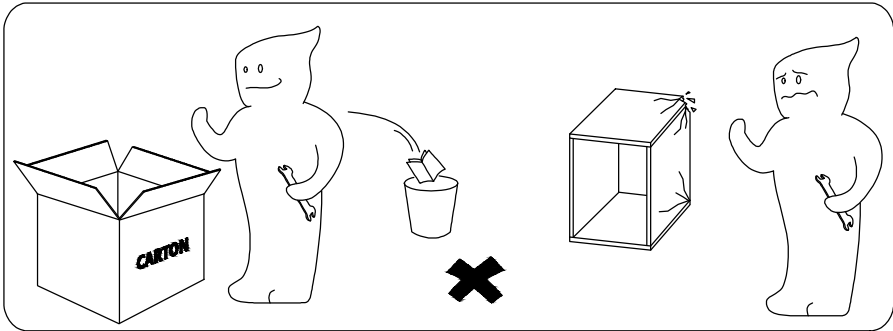


Dear Customers,

Thank you for purchasing our product. Please read this instruction manual carefully after receiving this product. It will help you assemble this product quickly, safely and correctly. You can keep this manual for future reference.

! IMPORTANT

Please follow the instruction manuals and use a pad to protect the product during your assembly.

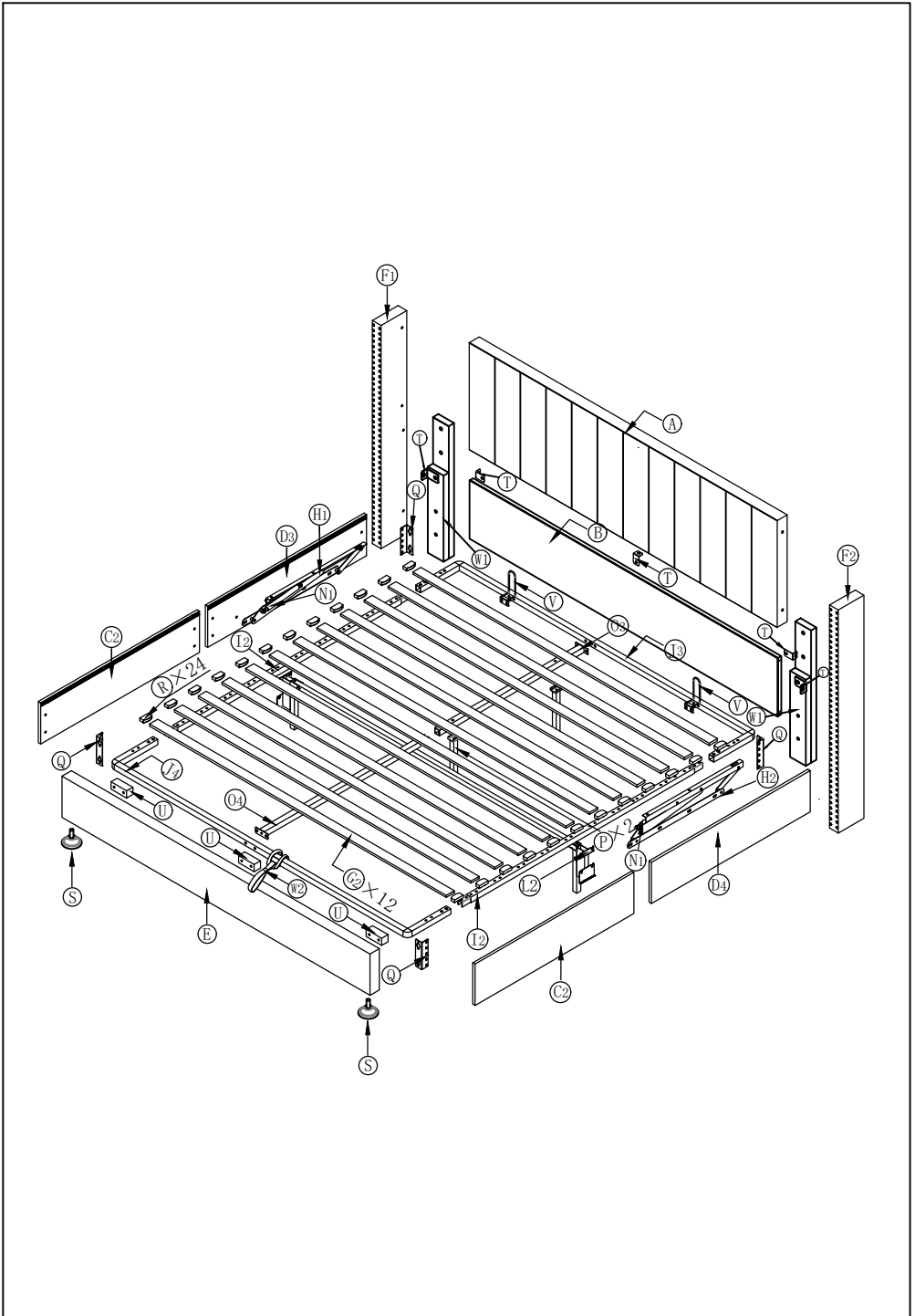


Note:

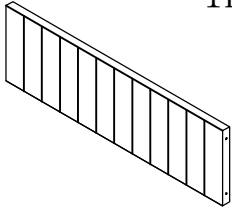
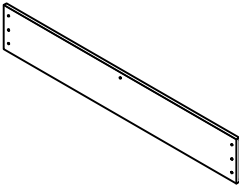
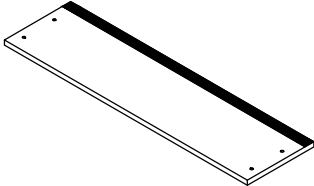
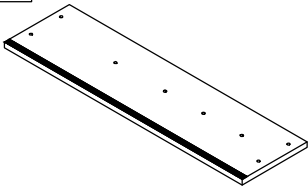
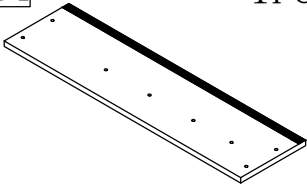
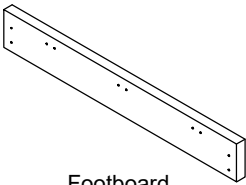
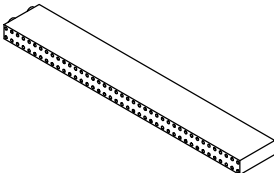
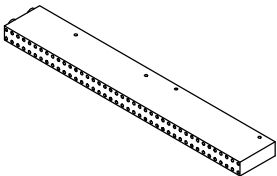
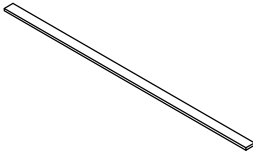
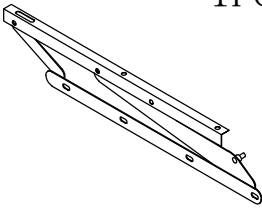
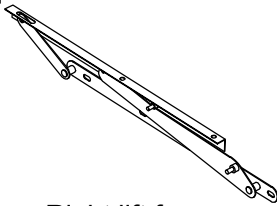
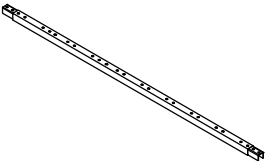
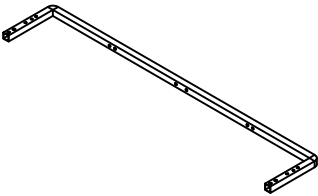
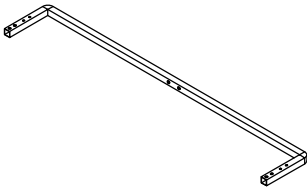
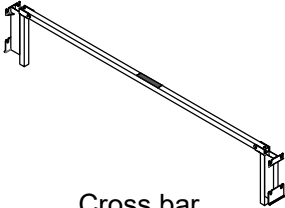
1. Should be assembled on flat ground to keep balance.
2. Before completing the installation, do not tighten the screws.



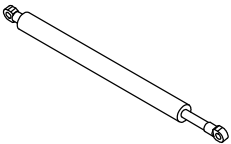

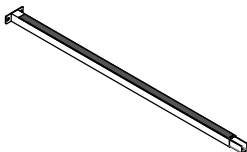
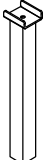
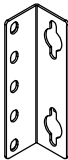
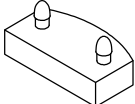
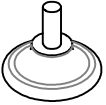
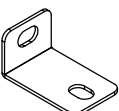
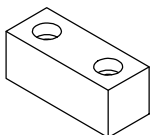
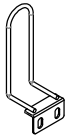


For easier and better assembly, 2 or more adults are required.



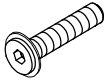
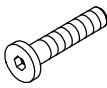
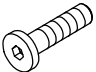
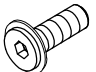

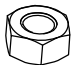


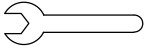
Part list

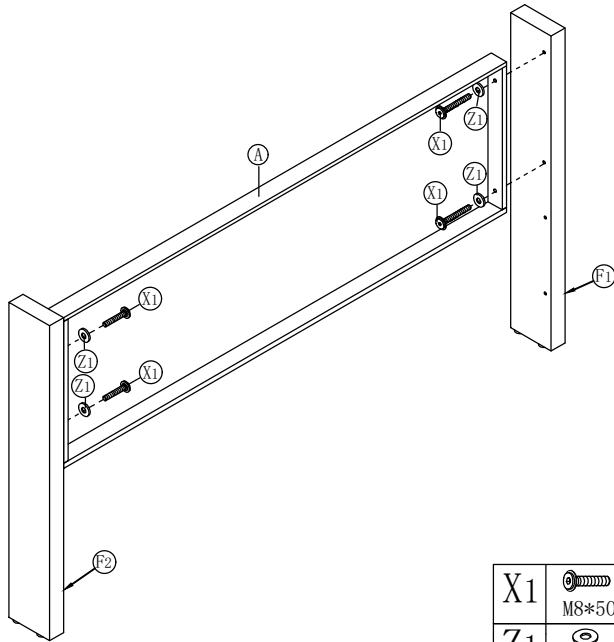
<p>A 1PC</p>  <p>Top headboard</p>	<p>B 1PC</p>  <p>Bottom headboard</p>	<p>C2 2PCS</p>  <p>Rear bed side</p>
<p>D3 1PC</p>  <p>Left front bed side</p>	<p>D4 1PC</p>  <p>Right front bed side</p>	<p>E 1PC</p>  <p>Footboard</p>
<p>F1 1PC</p>  <p>Left wing</p>	<p>F2 1PC</p>  <p>Right wing</p>	<p>G2 12PCS</p>  <p>Slat</p>
<p>H1 1PC</p>  <p>Left lift frame</p>	<p>H2 1PC</p>  <p>Right lift frame</p>	<p>I2 2PCS</p> 
<p>J3 1PC</p> 	<p>J4 1PC</p> 	<p>L2 1PC</p>  <p>Cross bar</p>

Part list



N1	2PCS	O3	1PC	O4	1PC				
									
Hydraulic rod		Front Middle support bar		Rear middle support bar					
P	2PCS	Q	4PCS	R	24PCS	S	2PCS		
									
Support leg		Connector				Leg			
T	5PCS	U	3PCS	V	2PCS	W1	2PCS	W2	1PC
									
Connector									

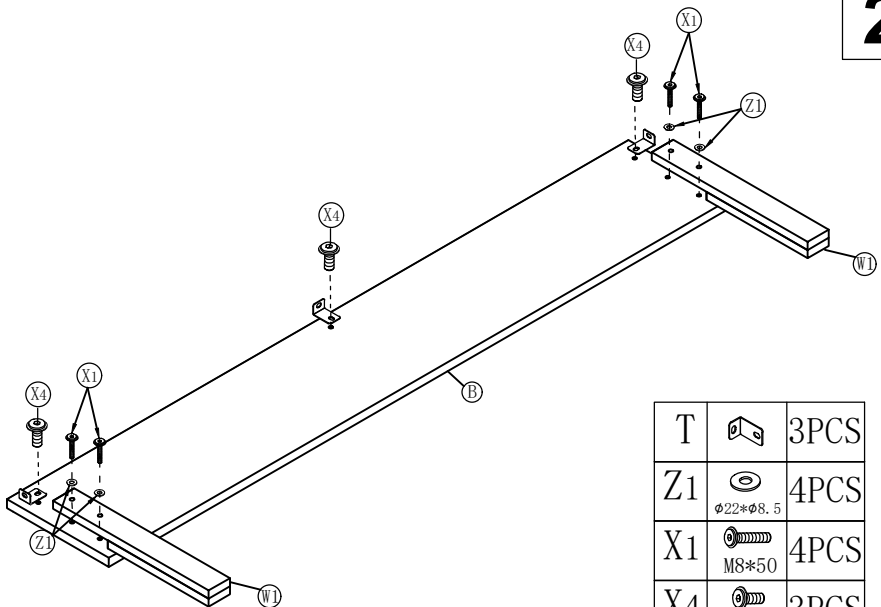
Hardware list

X1	14PCS	X2	10PCS	X3	8PCS	X4	17PCS		
									
M8*50mm		M8*45mm		M8*30mm		M8*25mm			
X5	35PCS	Y	10PCS	Z1	8PCS	Z2	1PC	Z3	1PC
									
M8*18mm		M8		∅22*∅8.5		M8 Spanner		M8 Spanner	



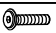
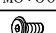
1

Back side

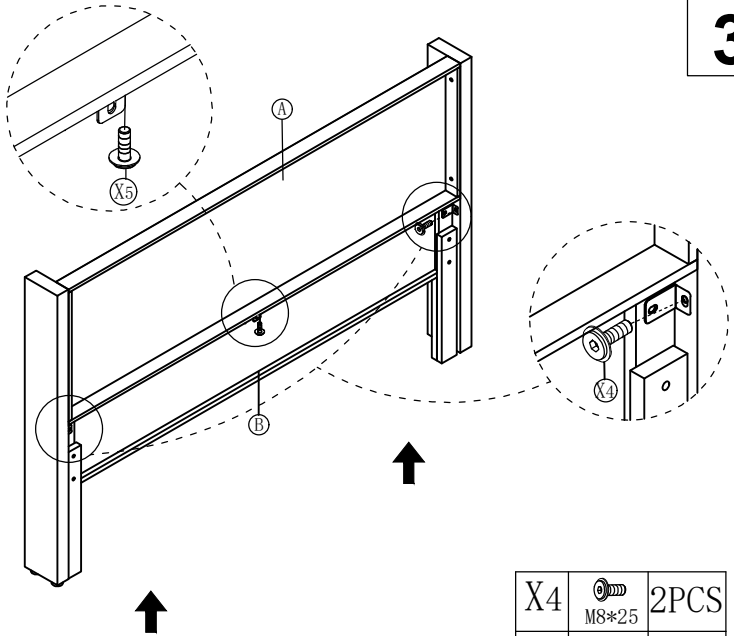
X1	 M8*50	4PCS
Z1	 φ22*φ8.5	4PCS

2



Back side

T		3PCS
Z1	 φ22*φ8.5	4PCS
X1	 M8*50	4PCS
X4	 M8*25	3PCS

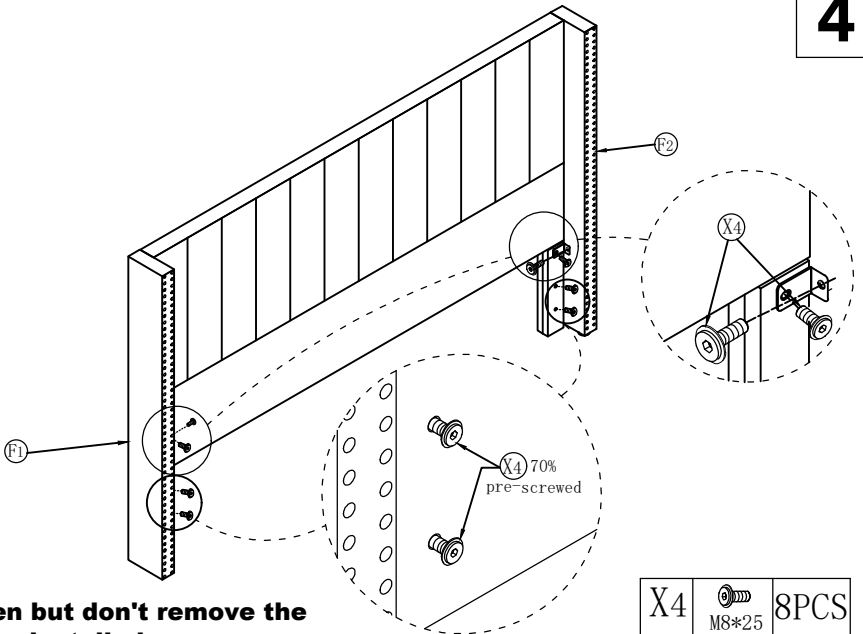
3



Back side

X4		2PCS
	M8*25	
X5		1PC
	M8*18	

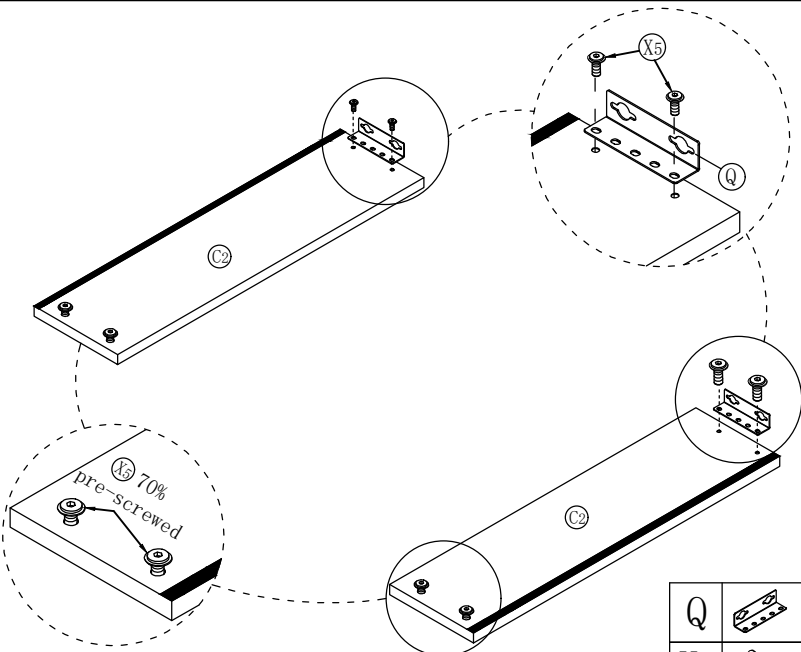
4



Loosen but don't remove the pre-installed screws.

X4		8PCS
	M8*25	

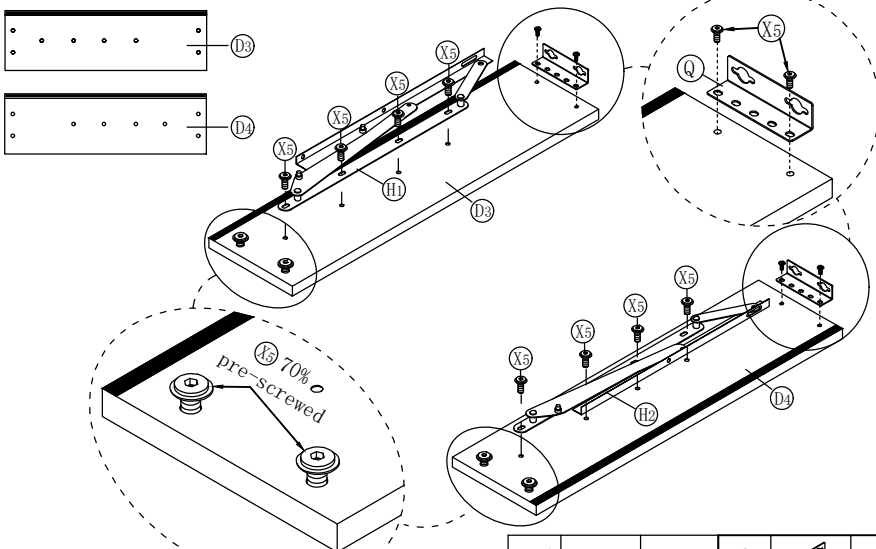
5



Loosen but don't remove the pre-installed screws.

Q		2PCS
X5		8PCS

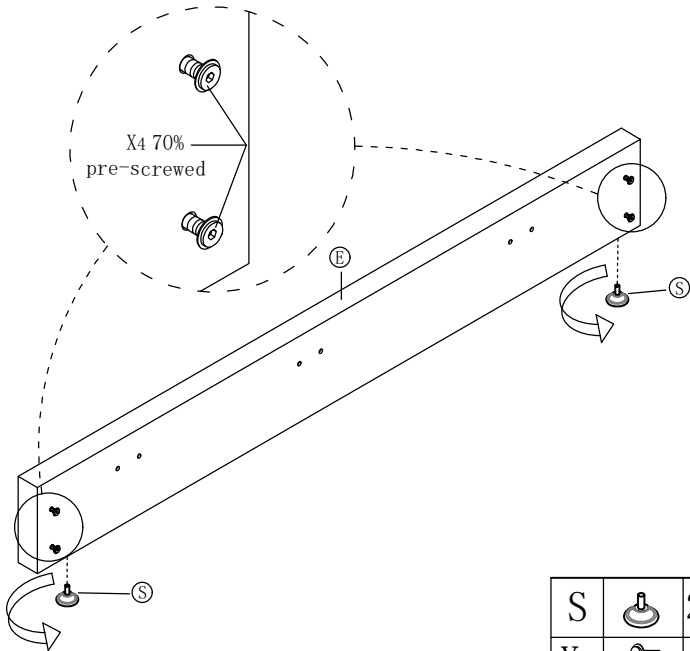
6





Loosen but don't remove the pre-installed screws.

H1		1PC	Q		2PCS
H2		1PC	X5		16PCS

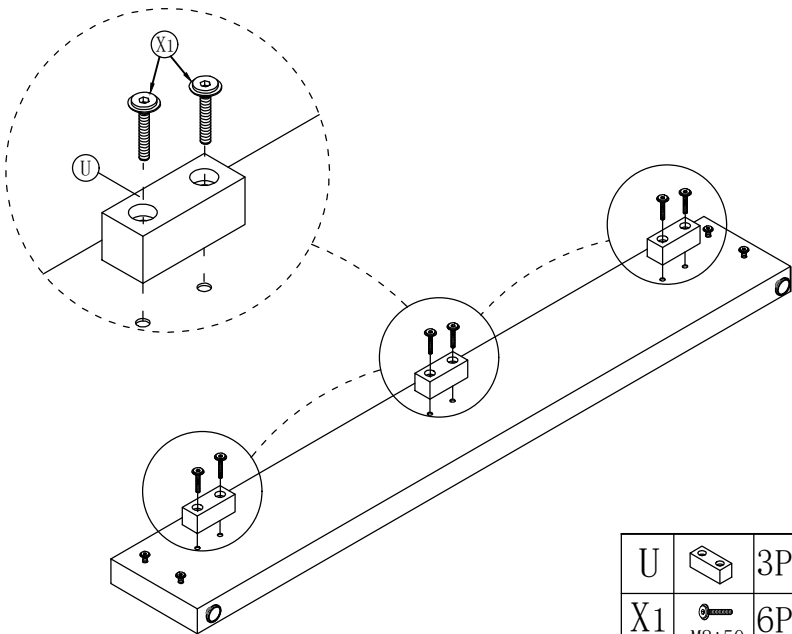
7





Loosen but don't remove the pre-installed screws.

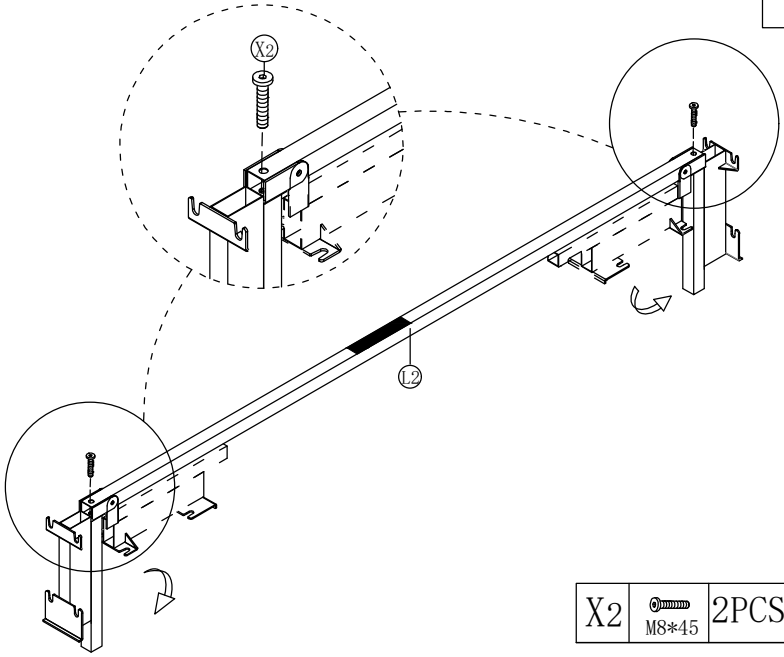
S		2PCS
X4		4PCS
	M8*25	

8



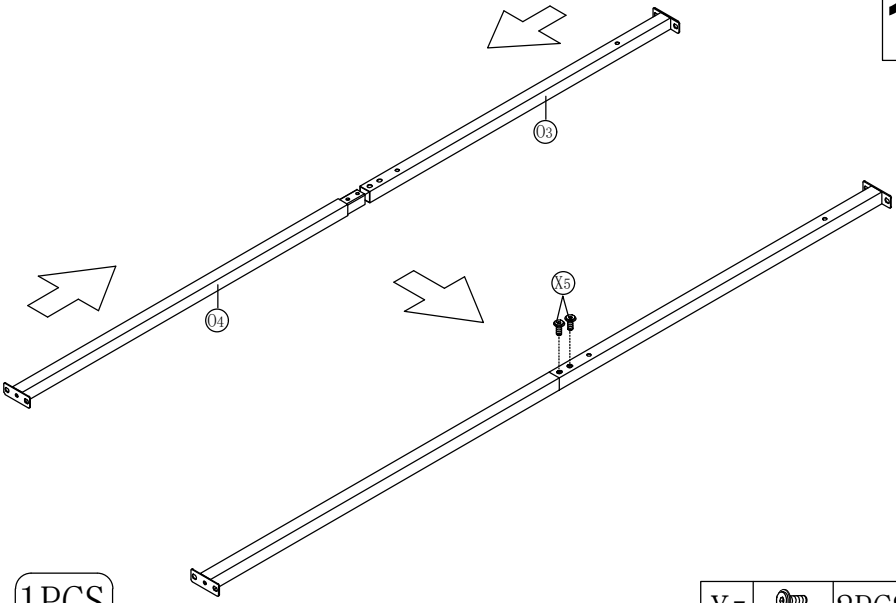
U		3PCS
X1		6PCS
	M8*50	

9




X2		2PCS
	M8*45	

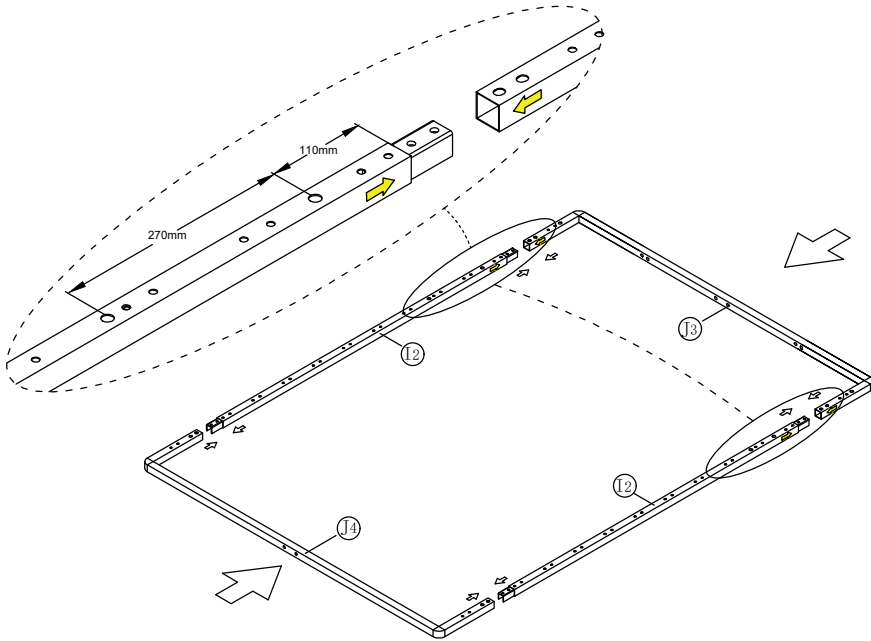
10



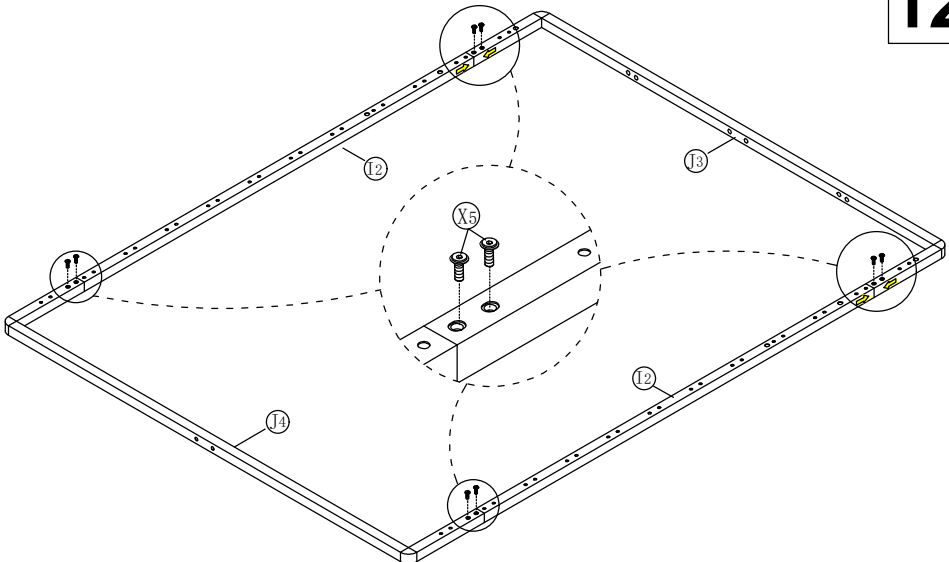
1PCS

X5		2PCS
	M8*18	

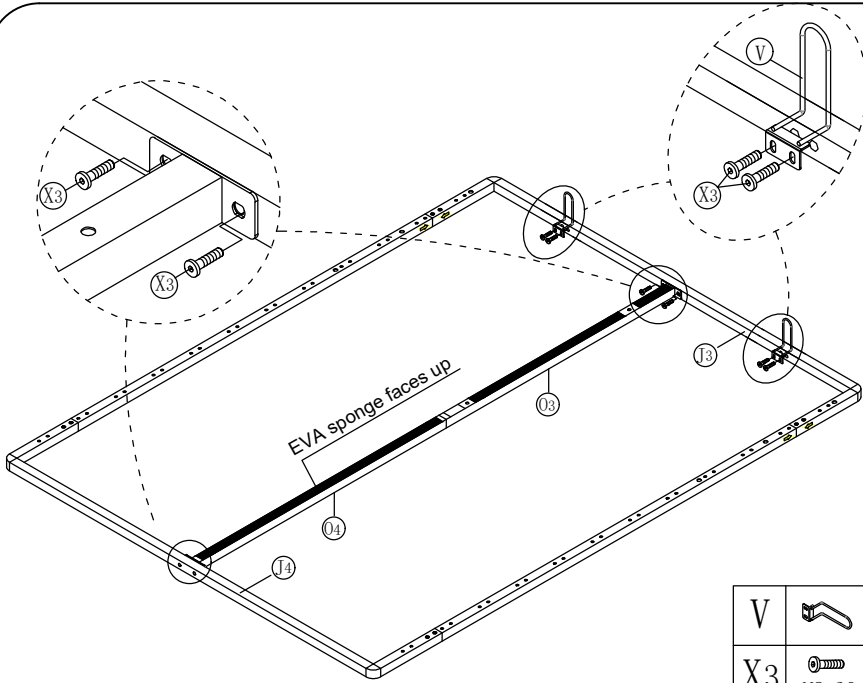
11



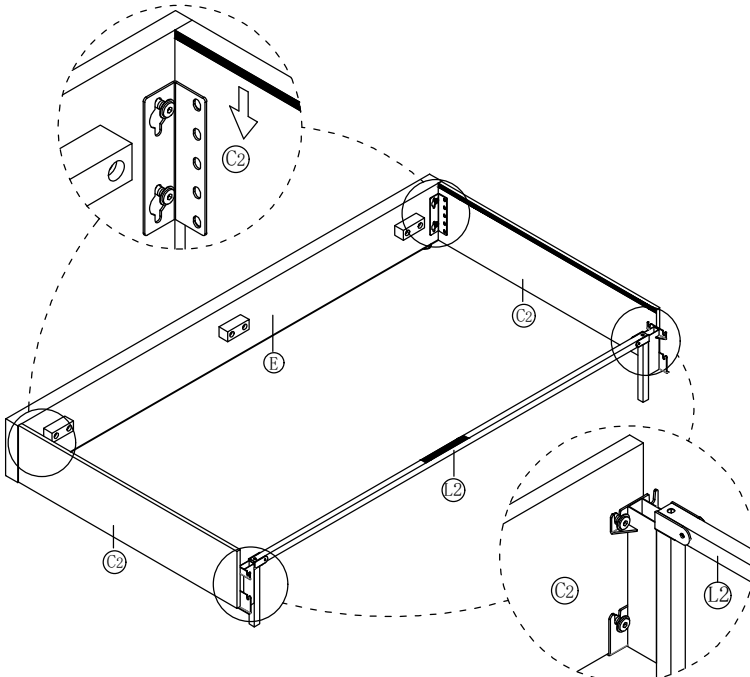
12



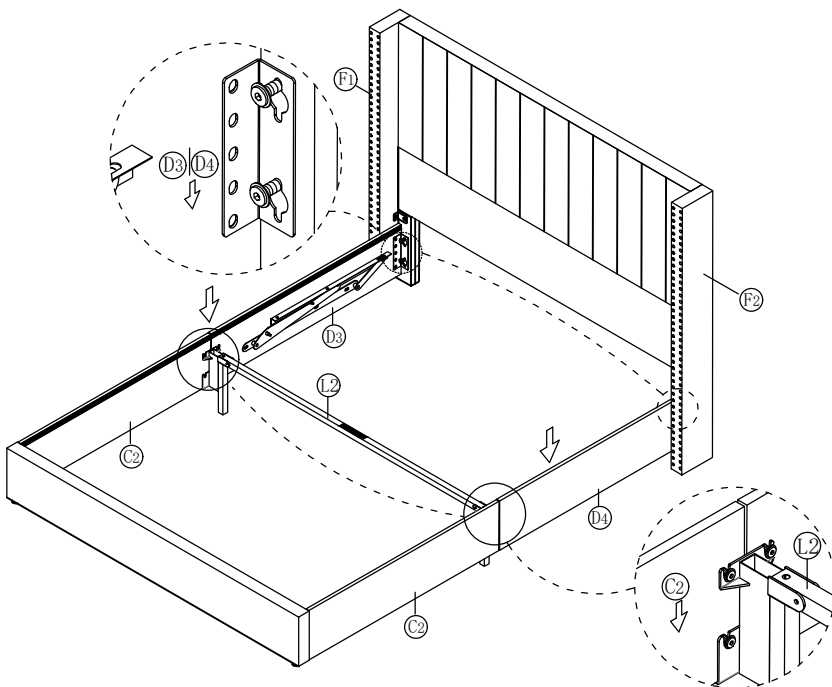
X5		8PCS
----	---	------

13

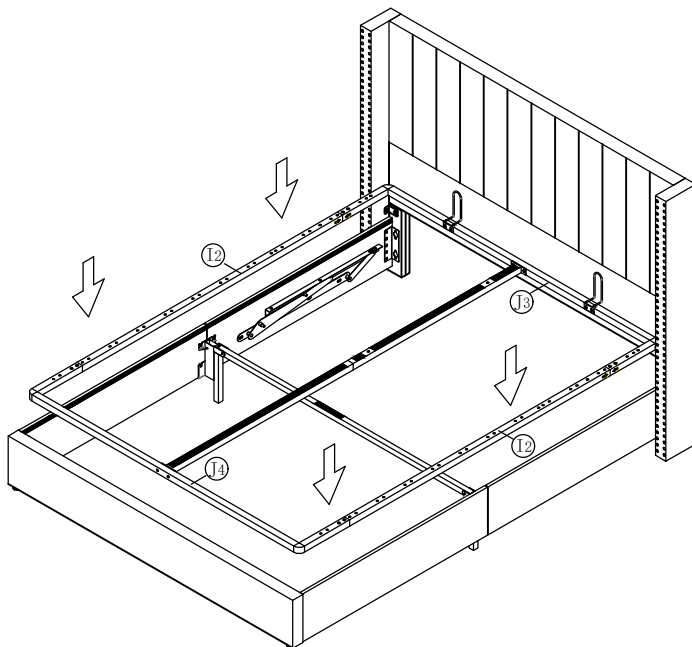
V		2PCS
X3		8PCS

14

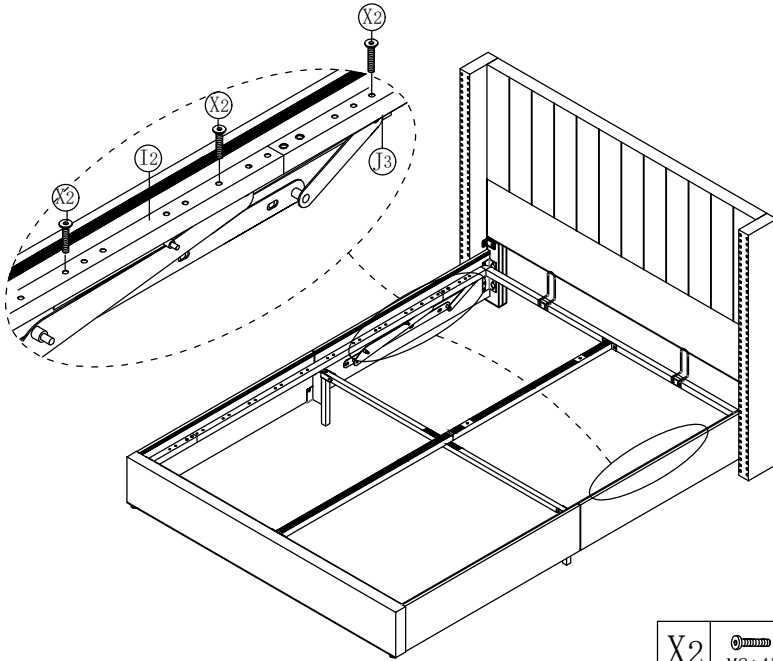
15



16

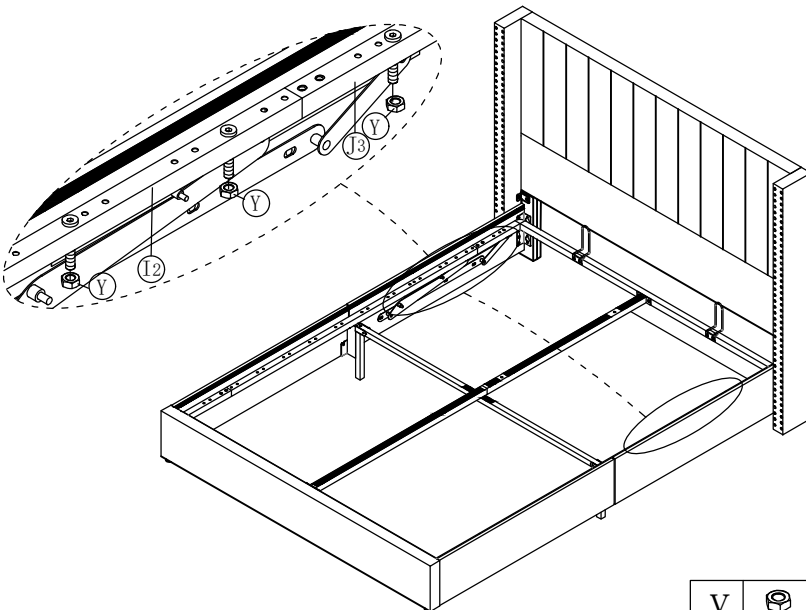


17



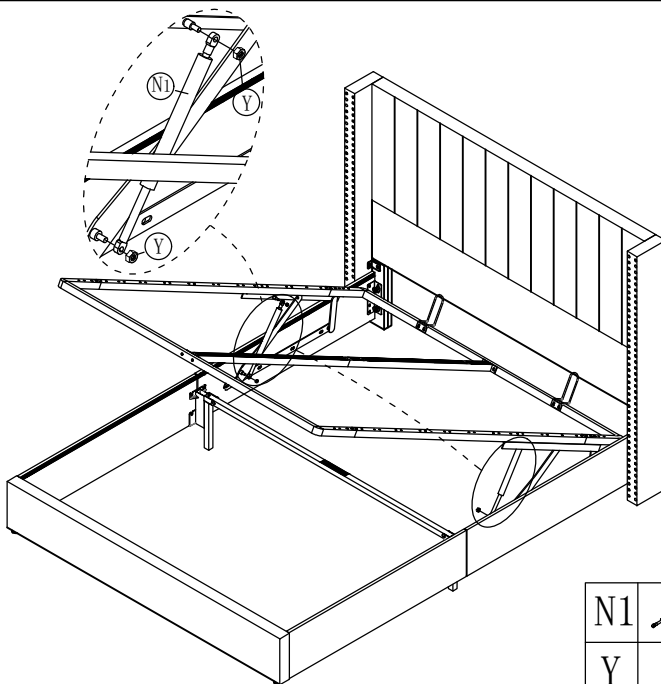
X2		6PCS
	M8*45	



18



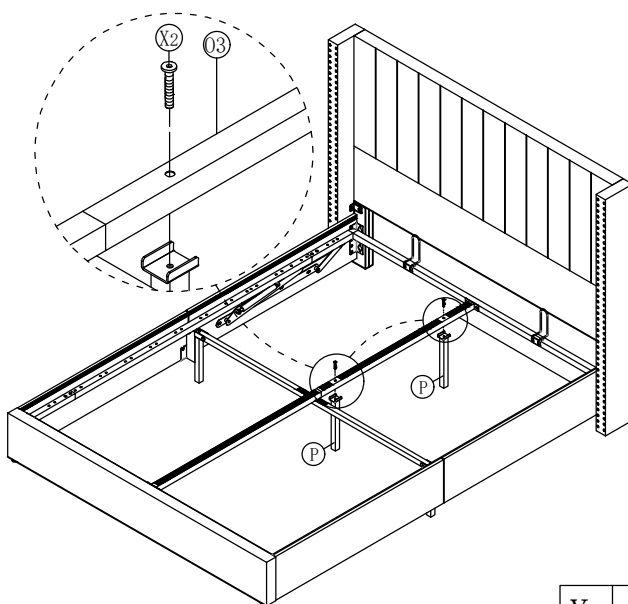
Y		6PCS
	M8	

19




N1		2PCS
Y	 M8	4PCS

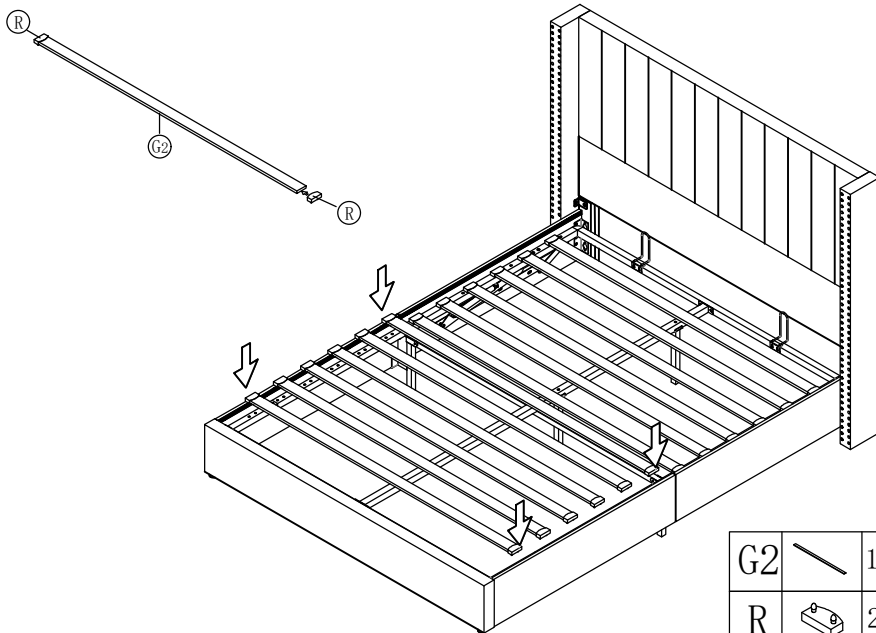
20


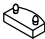


Lock all the screws.

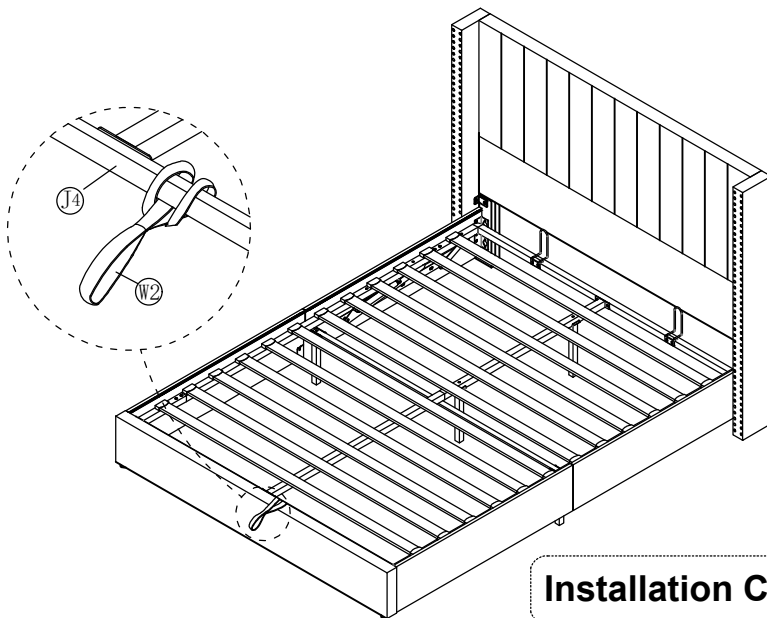
X2	 M8*45	2PCS
----	--	------

21



G2		12PCS
R		24PCS

22



Installation Complete