

BAU 18 PENDANT

PRODUCT FEATURES

- Influenced by the Bauhaus movement with four geometric metal stamped fins housing integrated LEDs providing a generous amount of indirect illumination to any space
- Available in modern finishes
- Complete the look with larger size Line-Voltage Pendants, Linear Suspension and Bath Bar
- This item is made of natural brass. It is a living finish that will patina and warm with age which adds richness. If it gets an uneven patina or spots, a brass cleaner can restore the finish.
- Includes (2) 6" and (4) 12" rigid stems in coordinating finish. Due to weight, J-Box must hold a minimum of 75 lbs.
- Protected by a 5-year warranty. Please visit the "About Us" Page on techlighting.com for more for warranty details



Nightshade Black

LAMPING

Includes 120-277 volt universal, 42.1 watt, 686 delivered lumens, 3000K, 90 CRI LED module. Dimmable with most LED compatible ELV dimmers. Includes (2) 6" and (4) 12" rigid stems in coordinating finish. Can be installed on a sloped ceiling up to 20°



Nightshade Black

Nightshade Black
3/4

Natural Brass

Natural Brass 3/4

ORDERING INFORMATION

700	SYSTEM	BAU18	FINISH	LAMP
	TD LINE-VOLTAGE PENDANTS/SUSPENSION		NB NATURAL BRASS B NIGHTSHADE BLACK	-LED930 INTEGRATED LED 90 CRI 3000K 120V-277V UNV

700 _____ BAU18 _____

JOB NAME _____

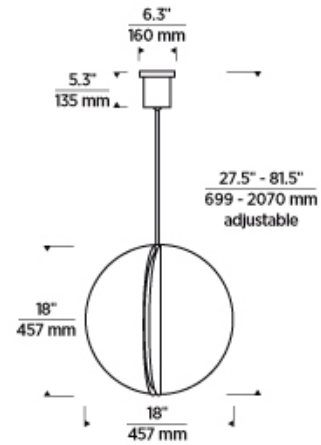
NOTES _____



BAU 18 PENDANT

SPECIFICATIONS

HARDWARE MATERIAL	Metal
SHADE MATERIAL	Aluminum
NET WEIGHT	30 lbs
HEIGHT	18in
WIDTH	18in
LENGTH	18in
UP LIGHT / DOWN LIGHT / BOTH?	
WET LISTED	
DAMP LISTED	Yes
DRY LISTED	
MIN. HANGING HEIGHT	27.5in
MAX HANGING HEIGHT	81.5in
TOTAL CORD LENGTH	
TOTAL STEM LENGTH	Up to 60in
STEM QTY	6
SLOPED CEILING ADAPTABLE?	Yes 20° Max
GENERAL LISTING	ETL Listed
INCLUDES	



LAMPING SPECIFICATIONS

	LED LAMP	INTEGRATED LED	NON LED	NO LAMP
DELIVERED LUMENS		686		
WATTS		42.1		
MAX WATTAGE PER BULB		42.1W		
INPUT VOLTAGE		Universal 120V-277V		
DIMMING TYPE*		ELV		
CCT		3000K		
CRI		90 CRI		
LED LIFETIME				
L70		>50000		
AVERAGE BULB HOURS				
FIELD SERVICEABLE LED				
LAMP BASE		Integrated LED		
LAMP SHAPE		Integrated LED		
LAMP INCLUDED?		True		
WARRANTY**		5 Years		

*Dimming information available at www.techlighting.com/Downloads#dimming

** Visit techlighting.com for specific warranty limitations and details.

T20 / T24 / JA8 INFORMATION

	Integrated LED	Replacement LED Lamp	No Lamp *
This product can be used to comply with California Building Energy Efficiency Standards 2016 Title 24 Part 6 / JA8.	Yes		
This product can be used to comply with California Appliance Efficiency Standards 2016 Title 20 and may be shipped to and sold in California.	N/A		

* If a light fixture or component does not include a lamp or light source, it is the responsibility of the customer to select a lamp that meets the T24 and T20 requirements.

