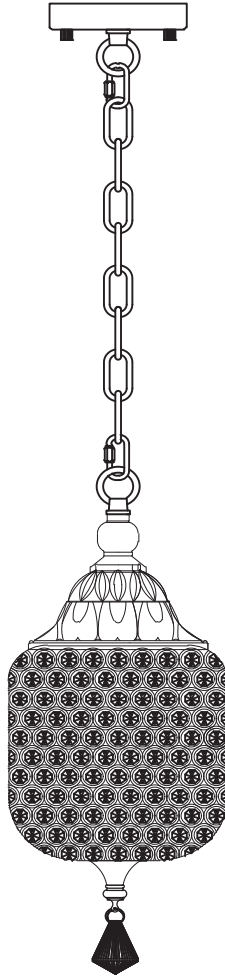


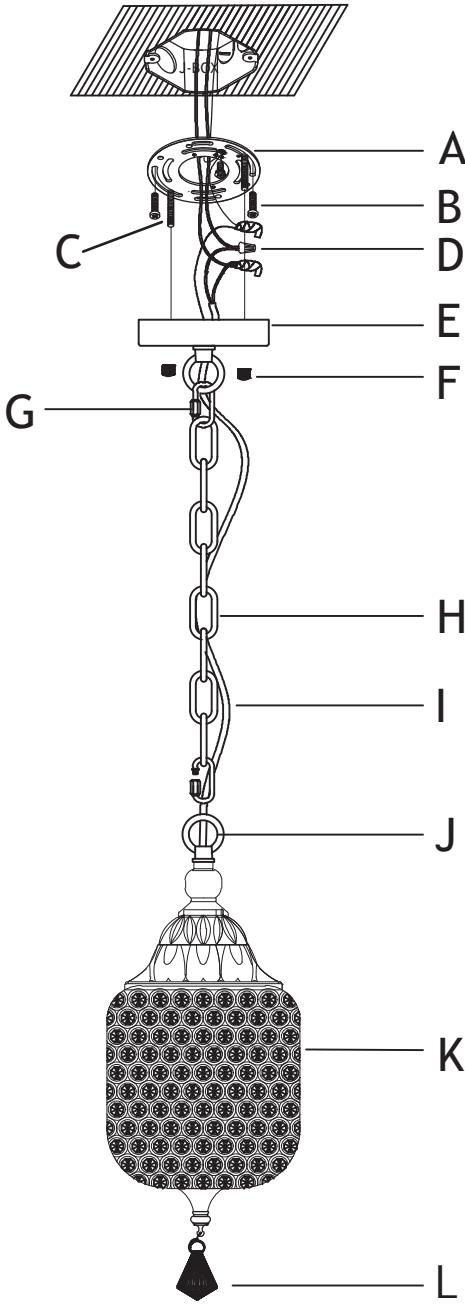


# INSTRUCTIONS



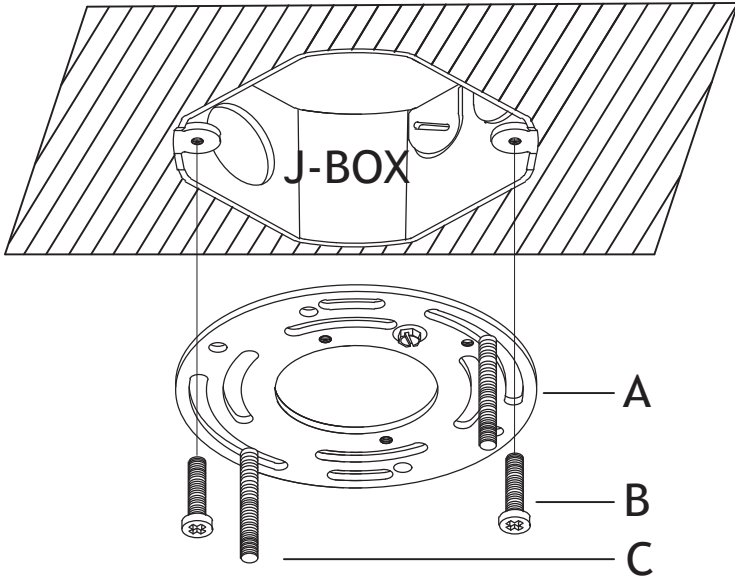
MADE IN CHINA

Oaks Aura <https://www.OaksAura.com>



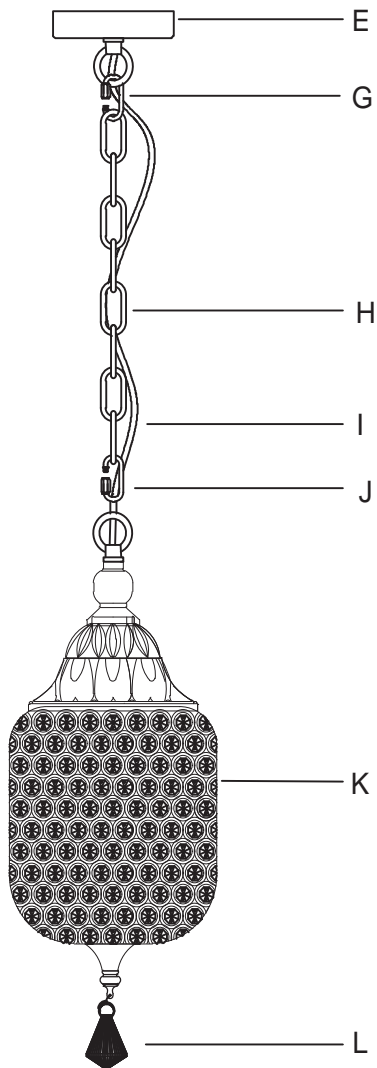
- A. Mounting Bracket
- B. Tapping Screws
- C. Bracket Screws
- D. Wiring Cap
- E. Canopy
- F. Knurled Nut
- G. Chain Connector
- H. Chain
- I. Electric Wire
- J. Chain Loop
- K. Lamp Frame
- L. Diamond-shade Crystal

1



Step 1.  
Secure Mounting Bracket(A) to ceiling junction box by  
Tapping Screws(B).

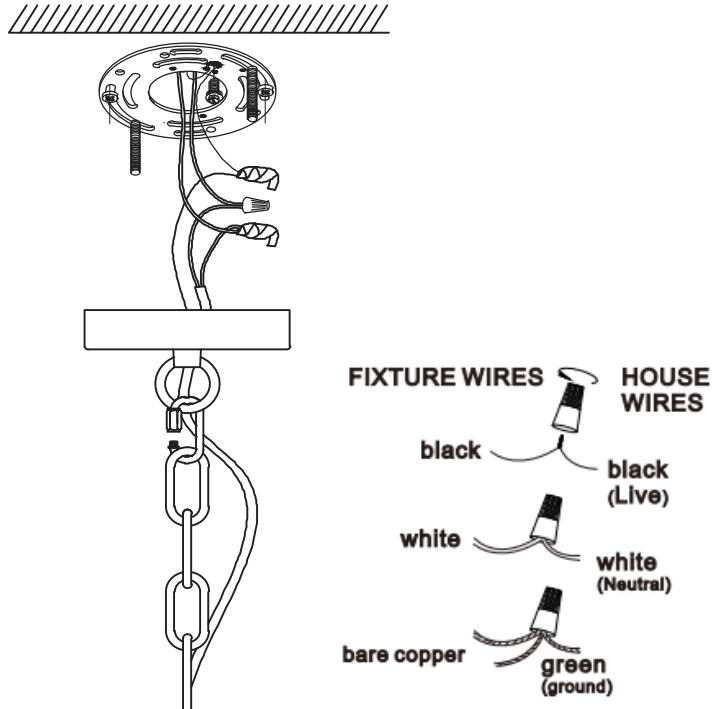
2



Step 2.

1. Fasten the Chain(H) to the Canopy(E) with Chain Connector(G).
2. Fasten the other end of the Chain(H) to the Lamp Frame(K) with Chain Connector(G).
3. Make Electric Wire(I) through the Chain(H) into the Canopy(E).
4. Hang a Diamond-shaped Crystal(L) on the Lamp Frame(K).

3



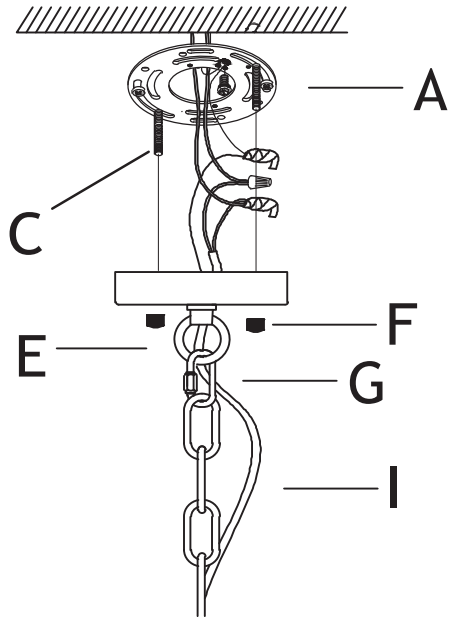
### Step 3.

1. Connect black fixture wire to black supply wire and white fixture wire to white supply wire using wire caps(provided).Wrap connection with electrical tape.
2. Connect ground wire from canopy with ground wire from Junction box using a wire cap. Wrap with electrical tape for a more secure connection. If house does not have ground wire, attach grounding wire to green grounding screw marked GND.
3. Tuck all wires carefully into the J-Box.

### WARNING:

Never connect grounding wire to black or white power supply wires. It is imperative that the outlet box in your home be properly grounded.

4



Step 4.  
Position Canopy(E) over Mounting Bracket(A) and tighten with  
Knurled Nut(F).