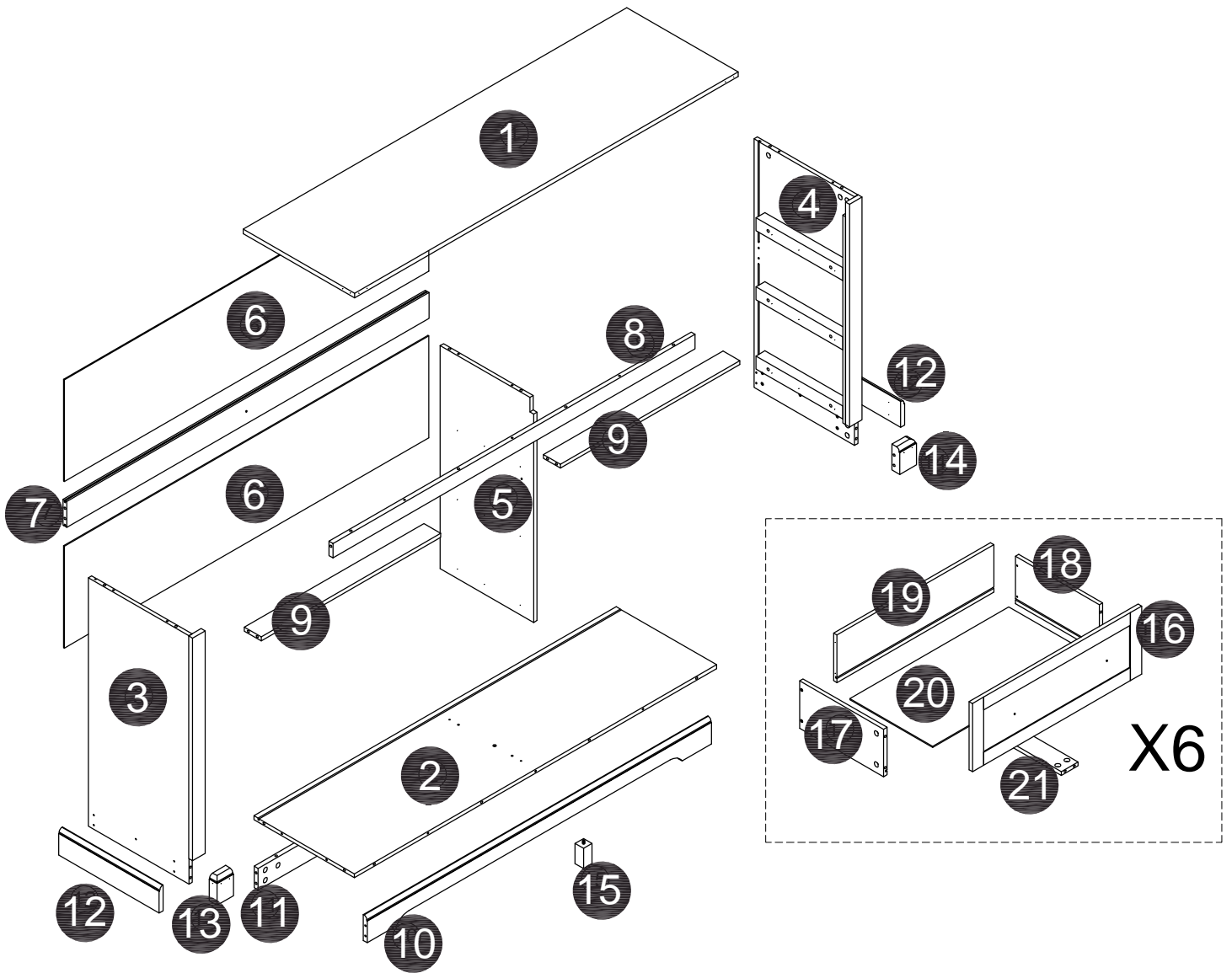


SIX DRAWER CABINET

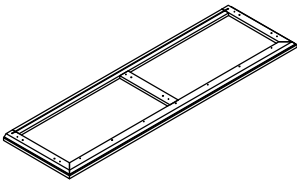
Instruction manual



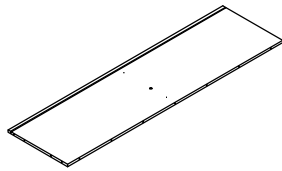


1 Component List

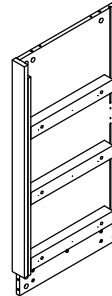
1 X1



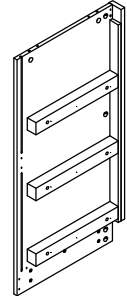
2 X1



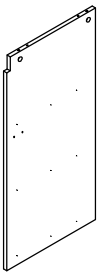
3 X1



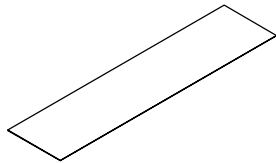
4 X1



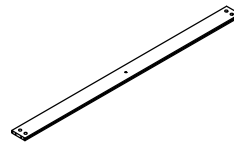
5 X1



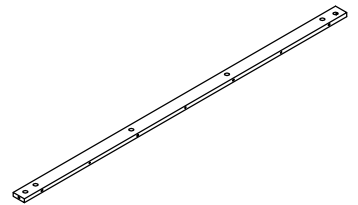
6 X2



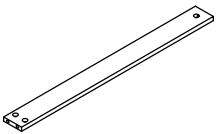
7 X1



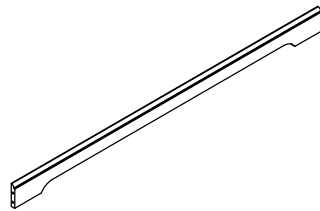
8 X1



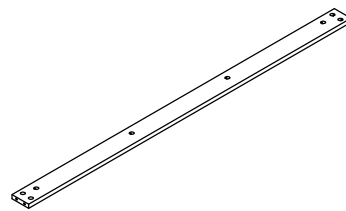
9 X2



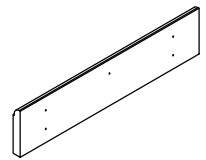
10 X1



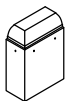
11 X1



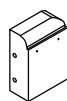
12 X2



13 X1



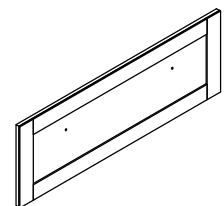
14 X1



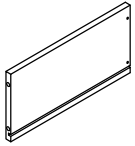
15 X1



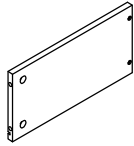
16 X6



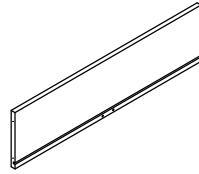
17 X6



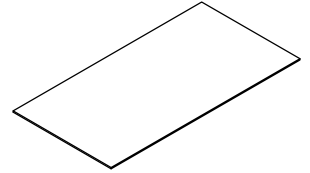
18 X6



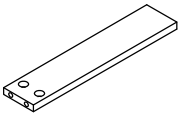
19 X6



20 X6

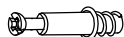


21 X6



2 Supplied Parts and Hardware

A X80+2



Ø6x34mm

B X80+2



Ø15x9.5mm

C X19+1



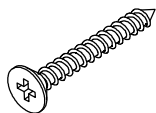
Ø6x30mm

D X10+1



Ø3.5x22mm

E X39+2



Ø4*30mm

F X86+2



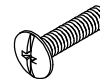
Ø3.5x12mm

G X16



Ø3.5x12mm

H X12

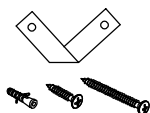


Ø5/32"x12mm

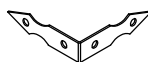
I X12



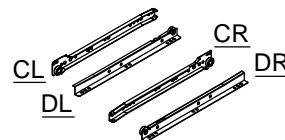
J X2



K X4

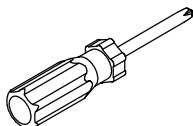


L X6



L300mm

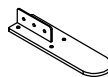
M X1



N X14

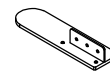


O X1



Left Lifter

P X1



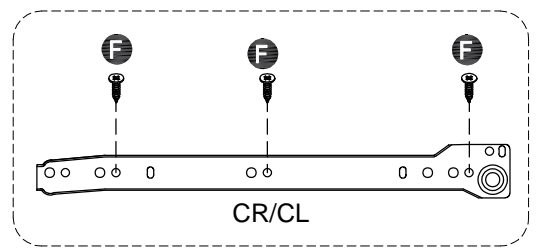
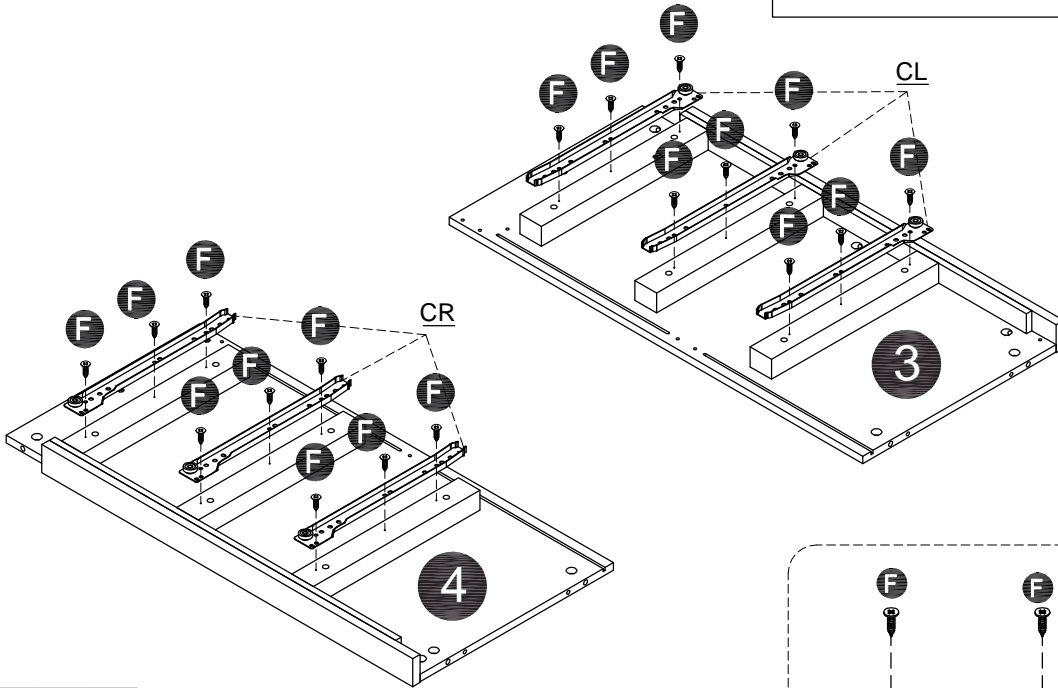
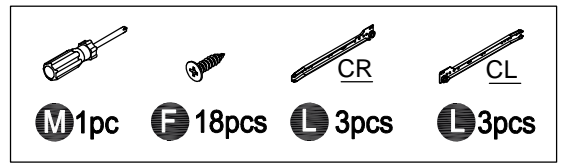
Right Lifter

Please have the following auxiliary tools ready:
Bitte halten Sie folgende Hilfswerkzeuge bereit:
Veuillez préparer les outils auxiliaires suivants :
Si prega di avere pronti i seguenti strumenti ausiliari:
Por favor, tenga listas las siguientes herramientas auxiliares:

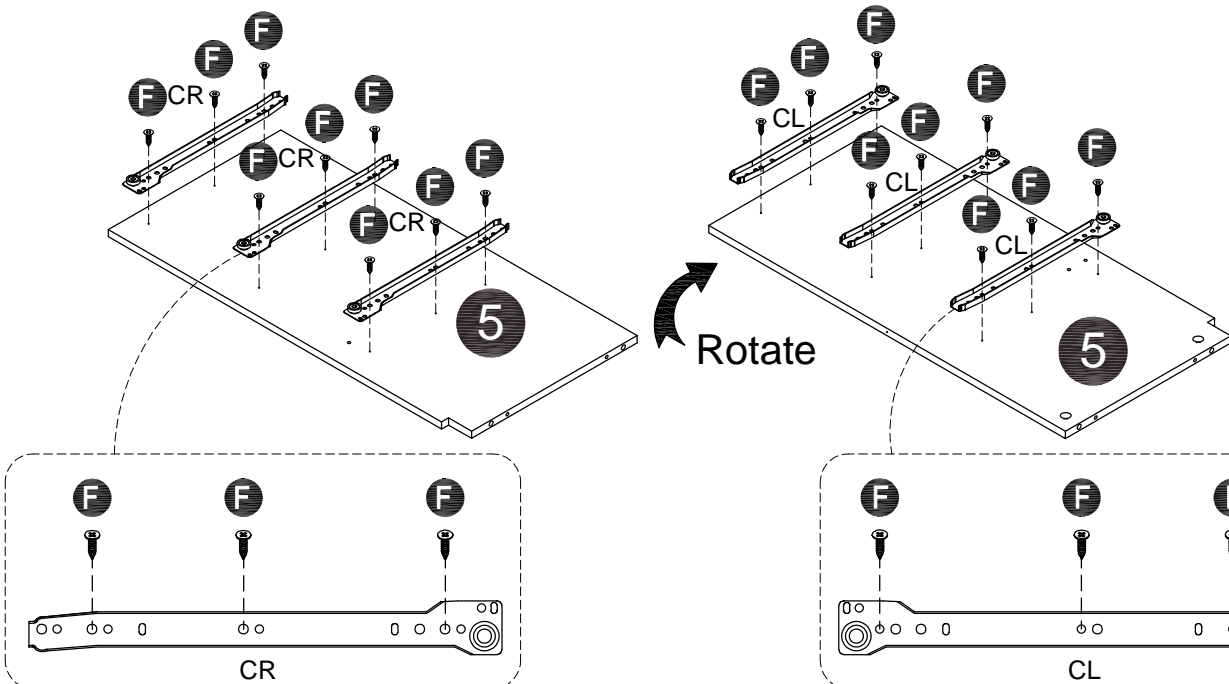
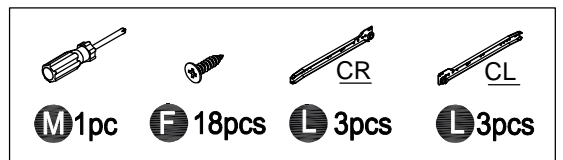
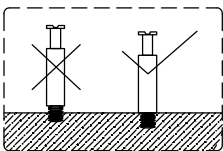


Electric Drill Hammer Gloves Tape Measure SM NOTE: This product requires at least two people for installation.

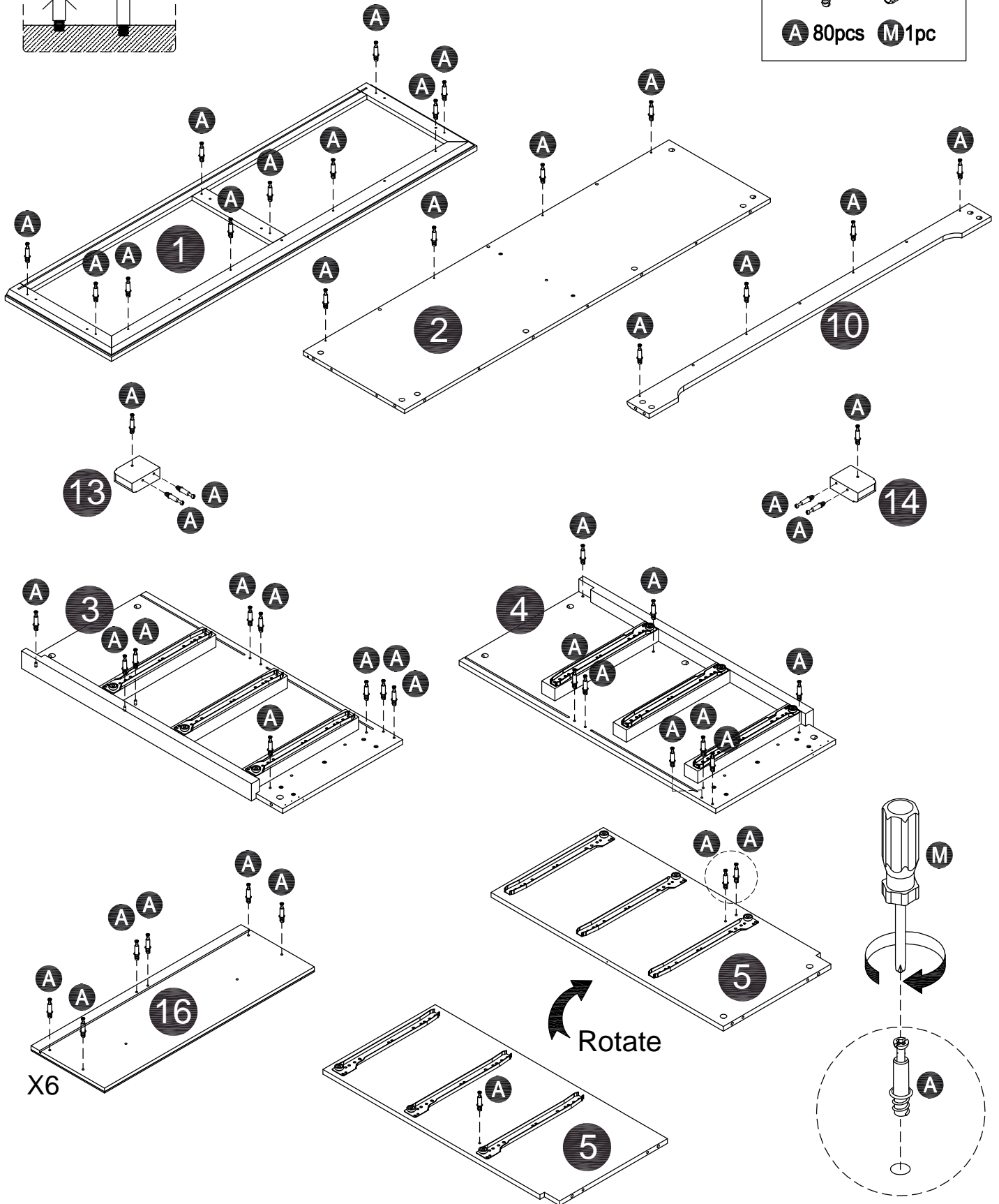
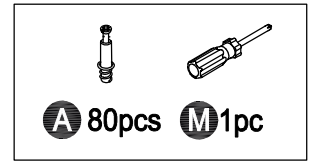
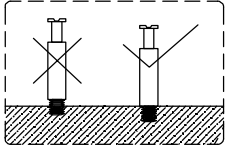
Step 1



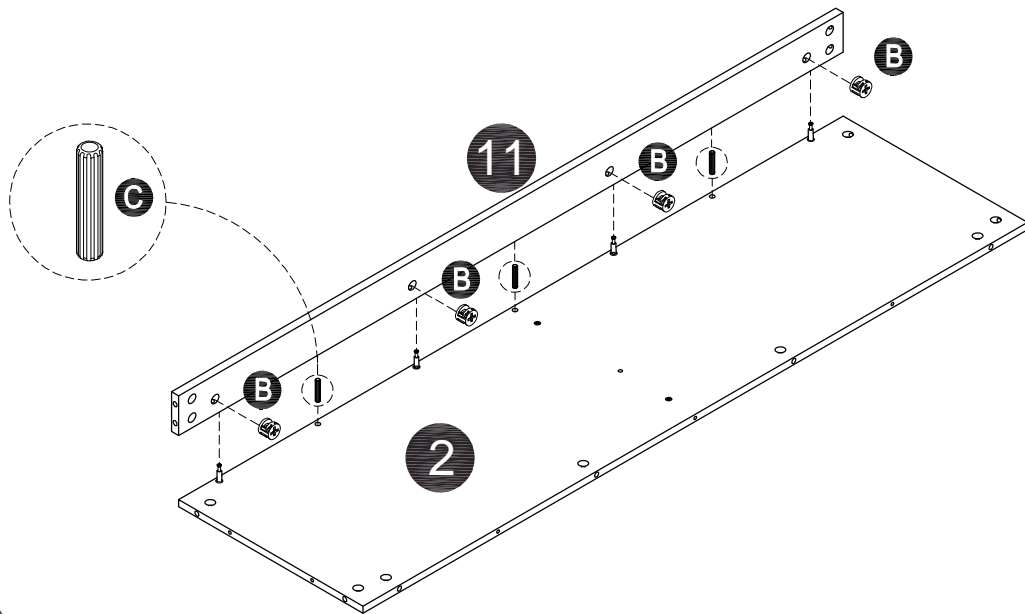
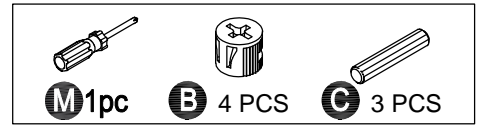
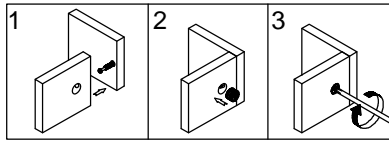
Step 2



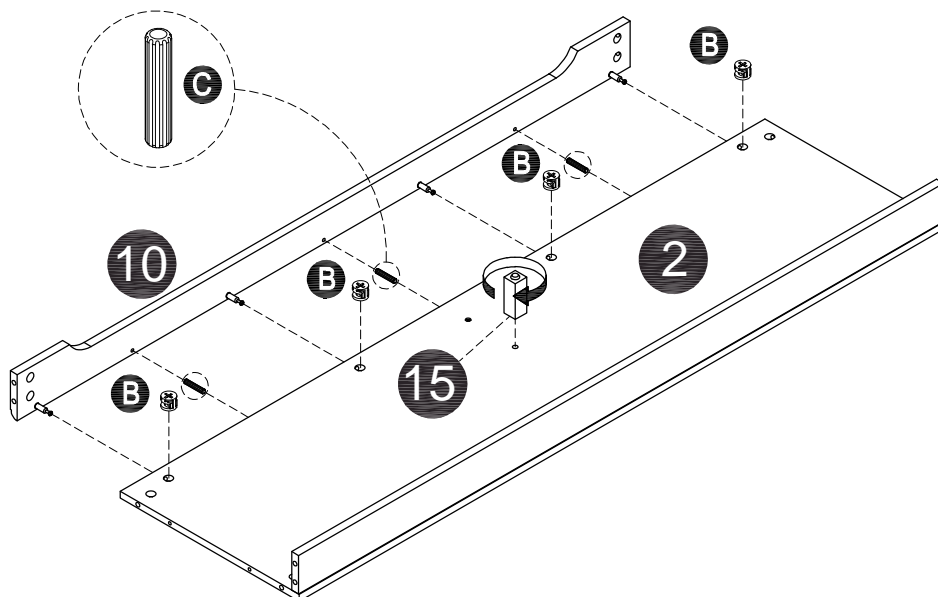
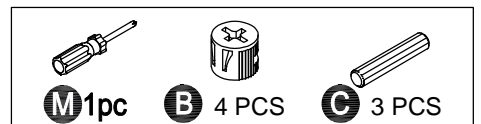
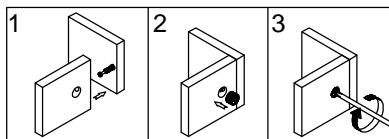
Step 3



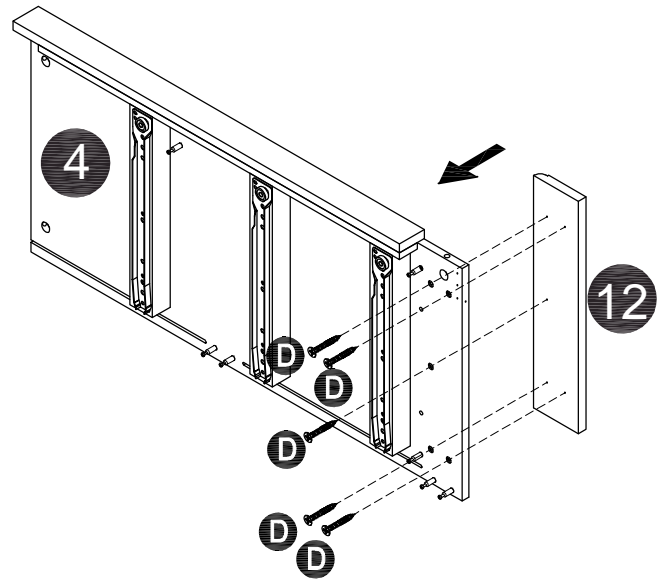
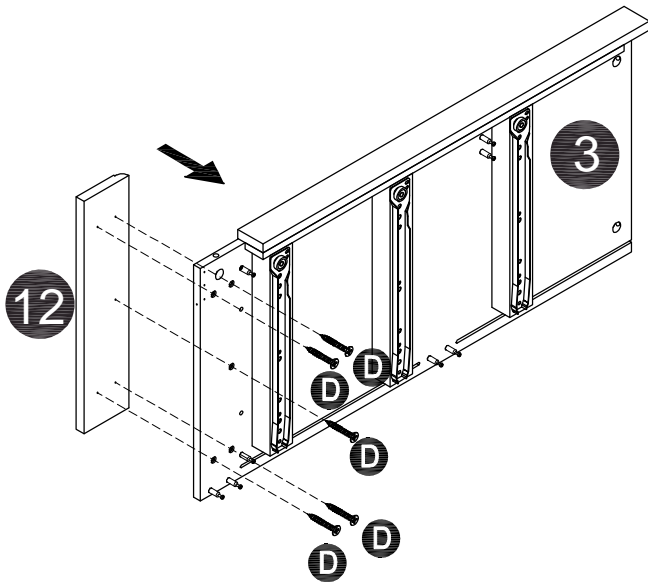
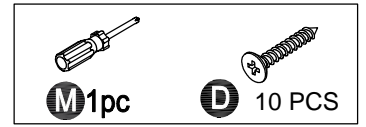
Step 4



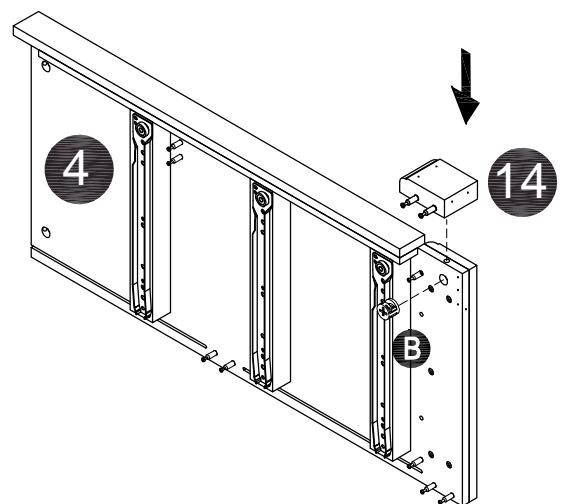
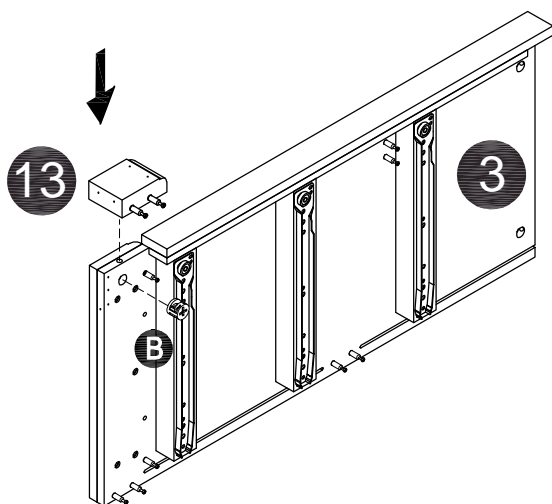
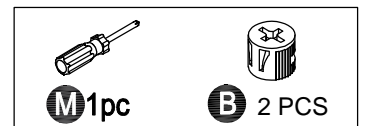
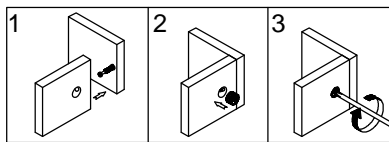
Step 5



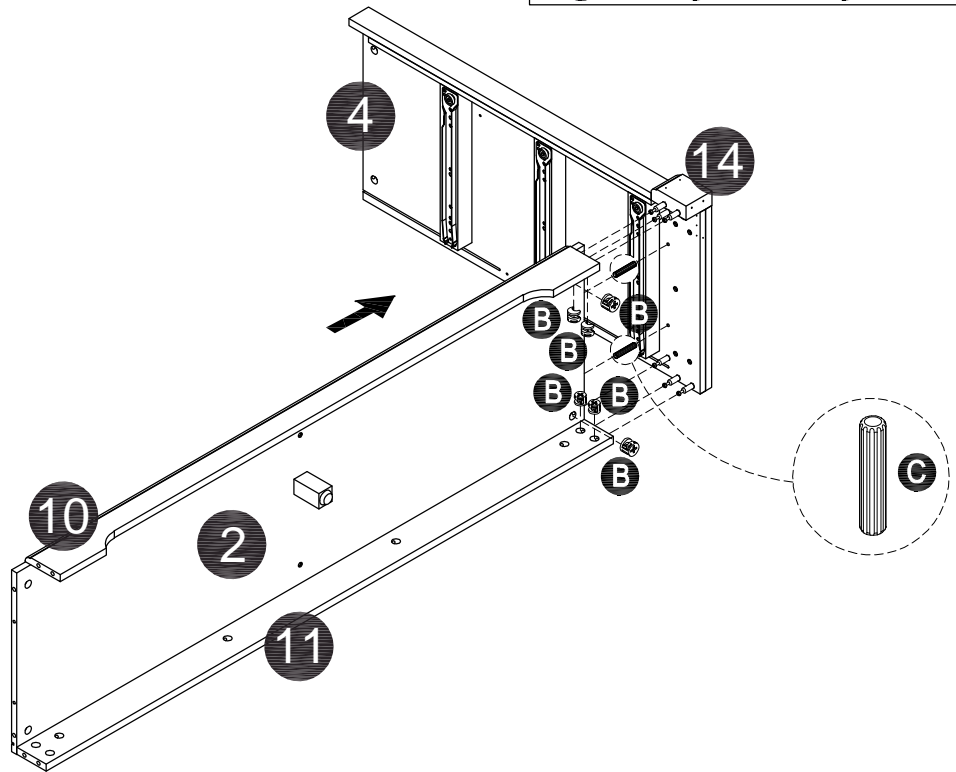
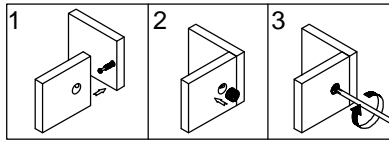
Step 6



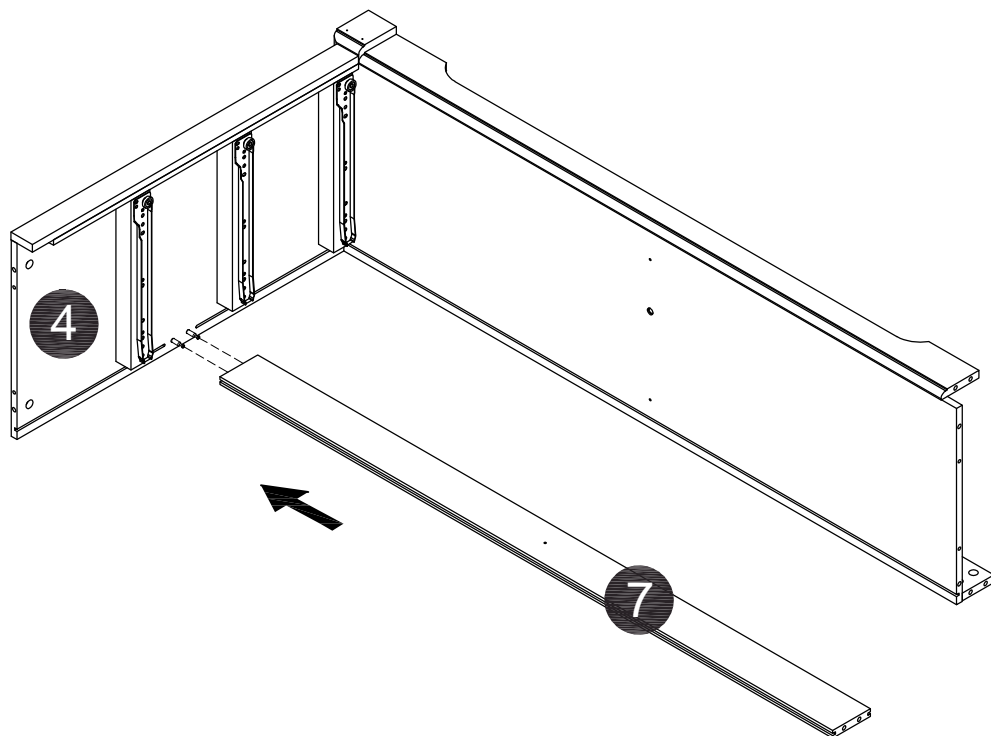
Step 7



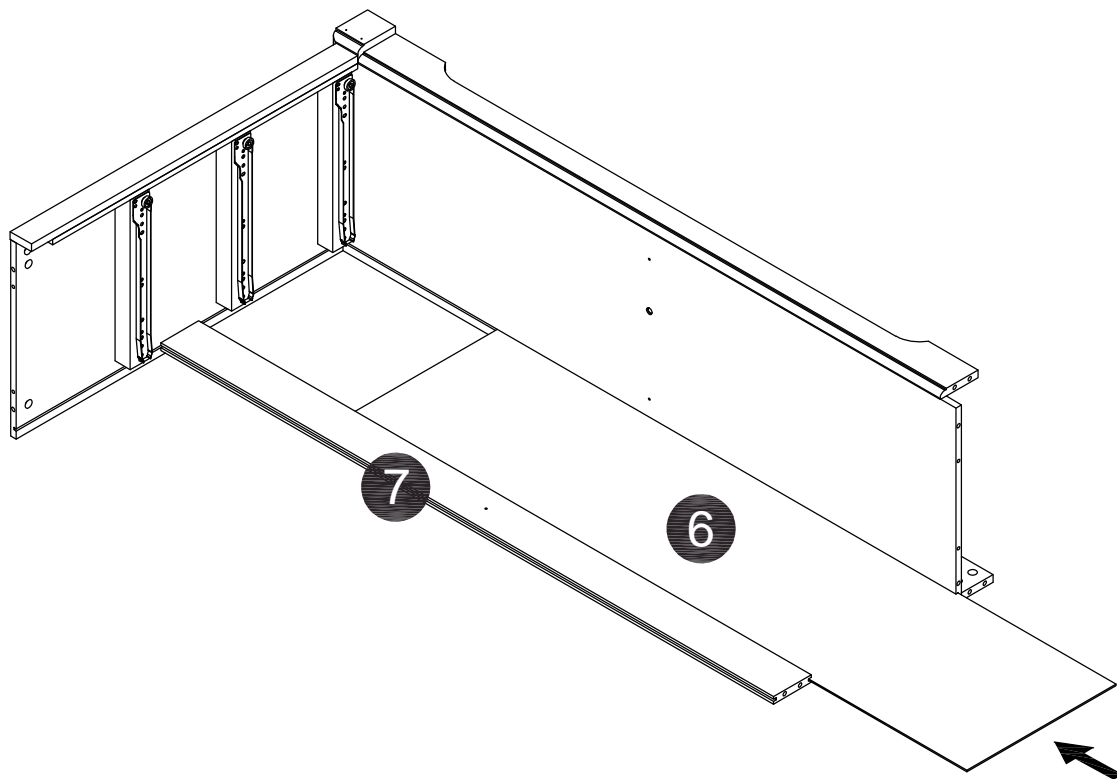
Step 8



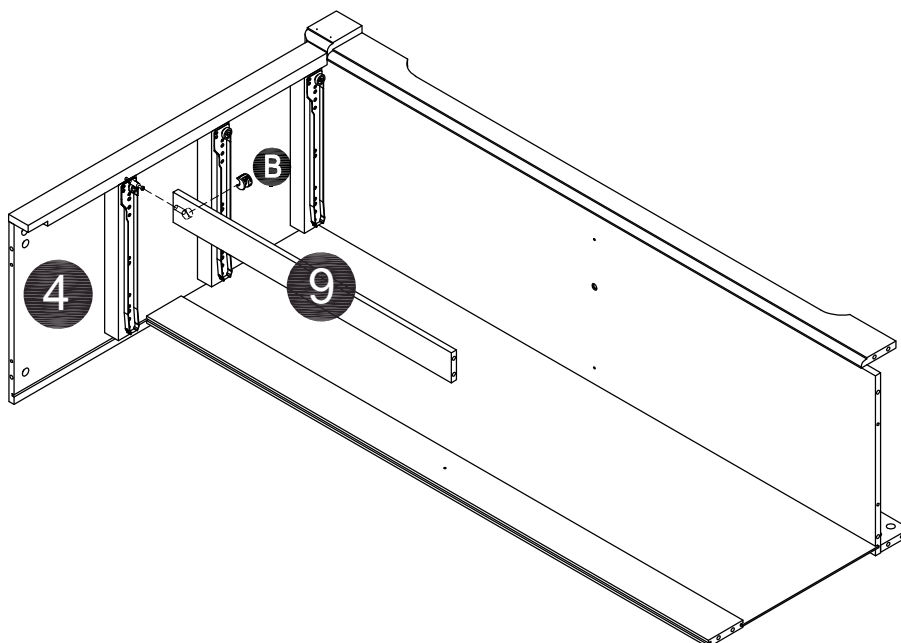
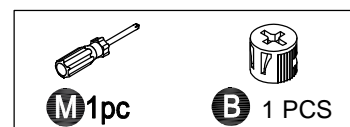
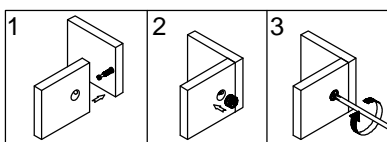
Step 9



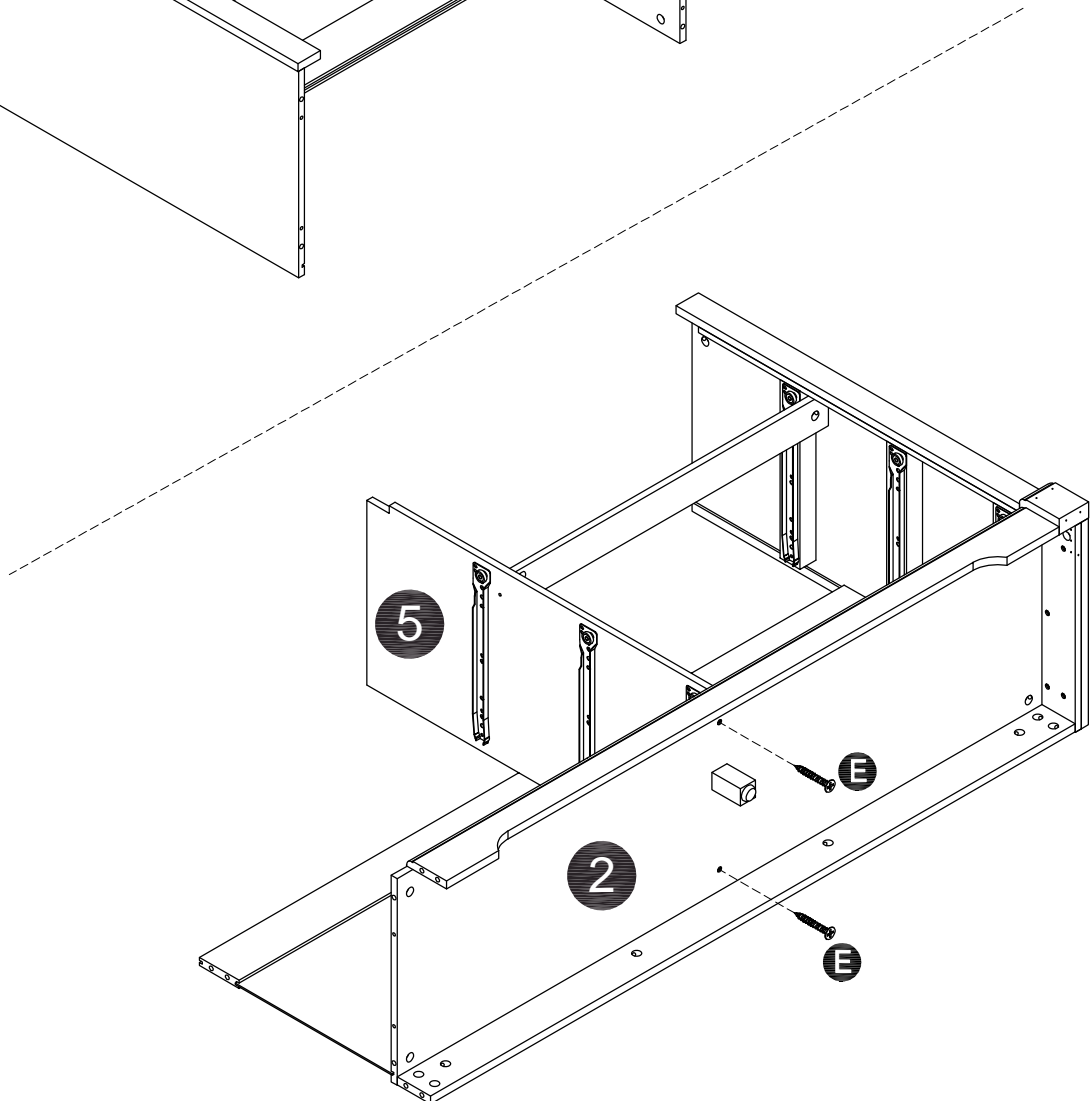
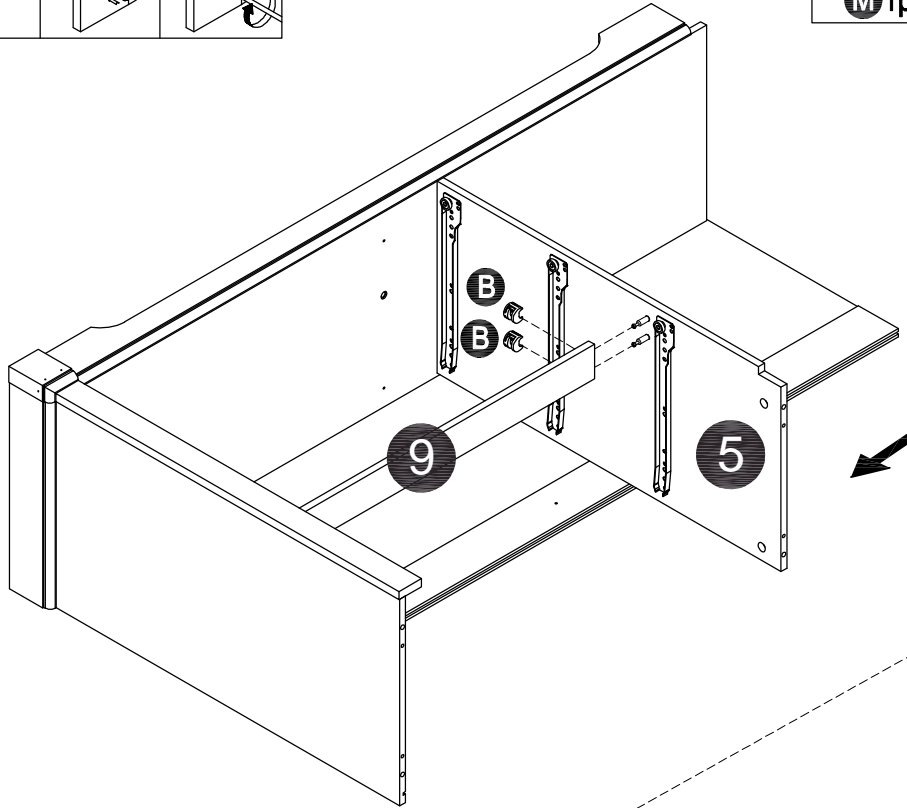
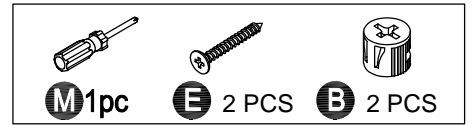
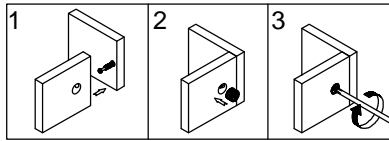
Step 10



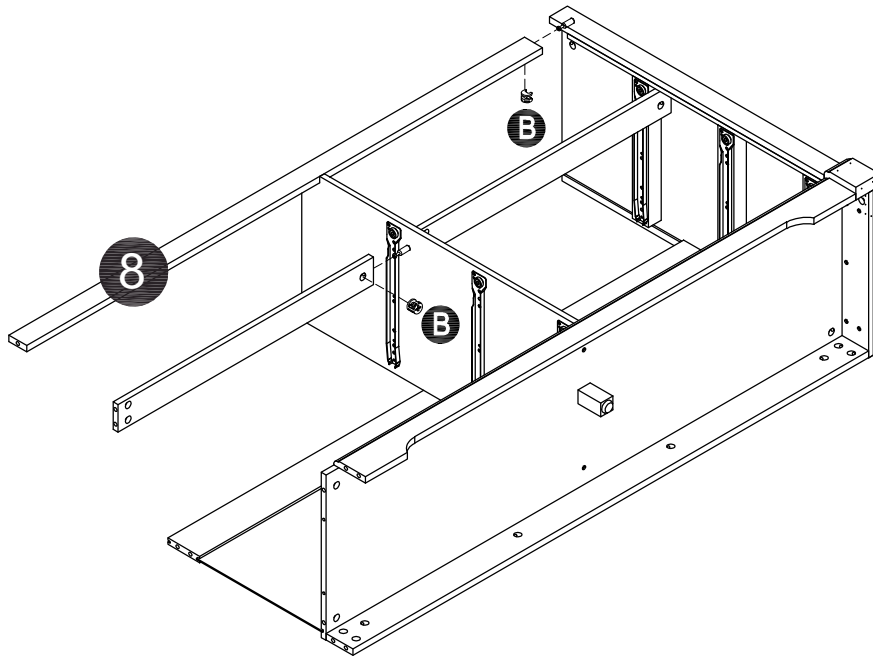
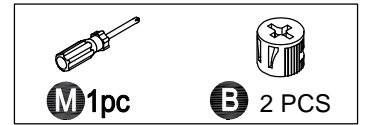
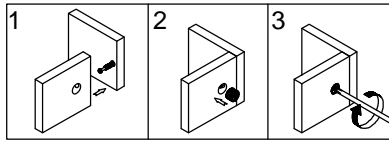
Step 11



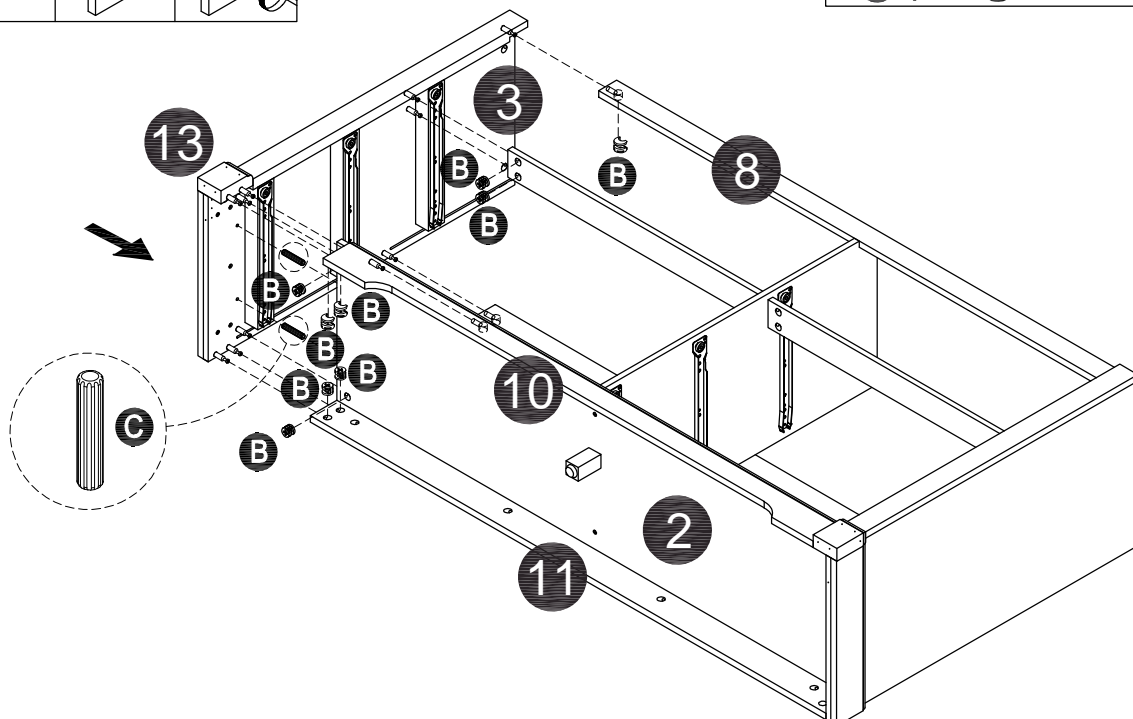
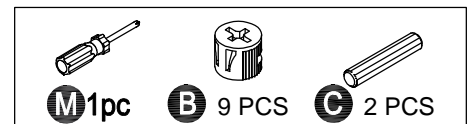
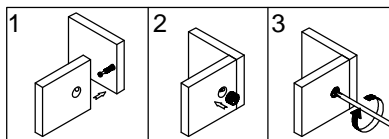
Step 12



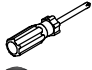

Step 13

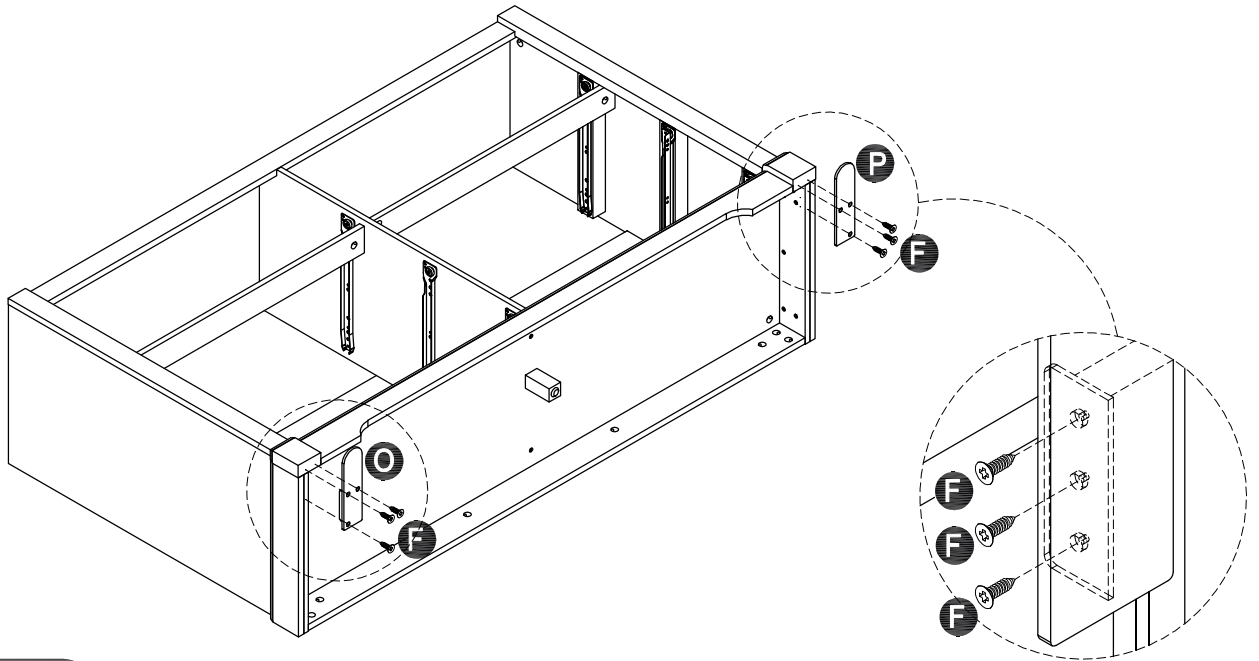


Step 14

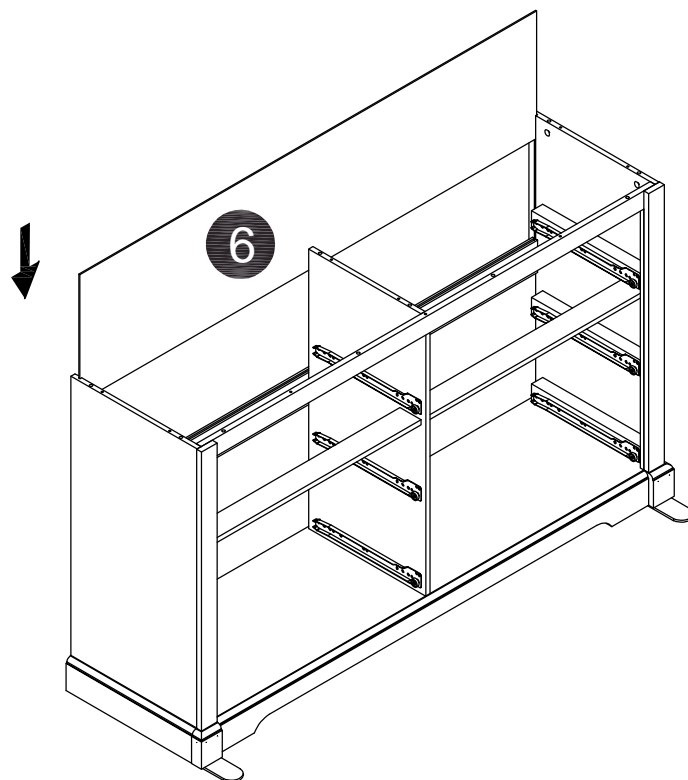


Step 15

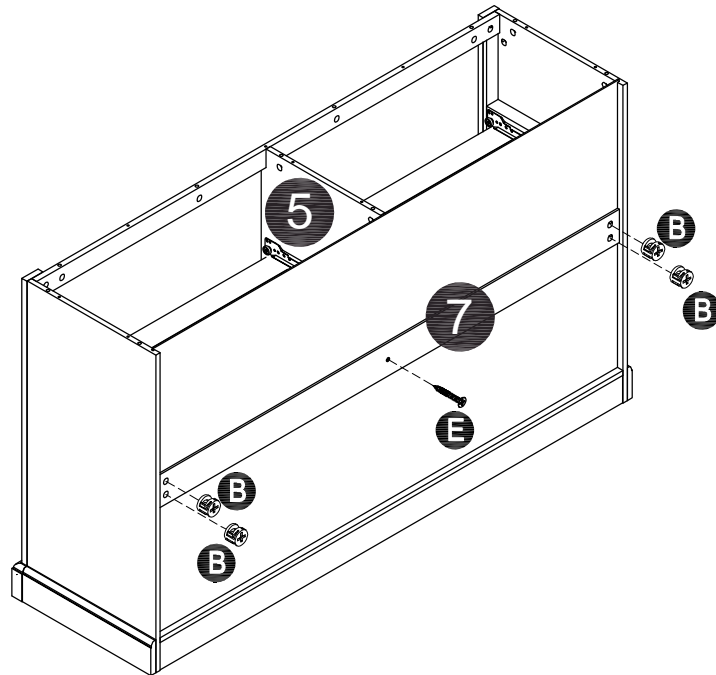
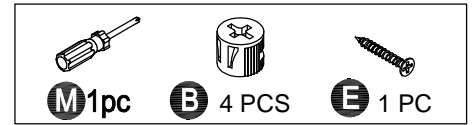
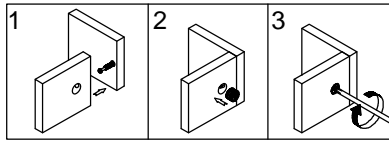
| | | | |
|---|---|--------------|--------------|
|  |  | Left Lifter | Right Lifter |
| M 1pc | F 12pcs | O 1pc | P 1pc |



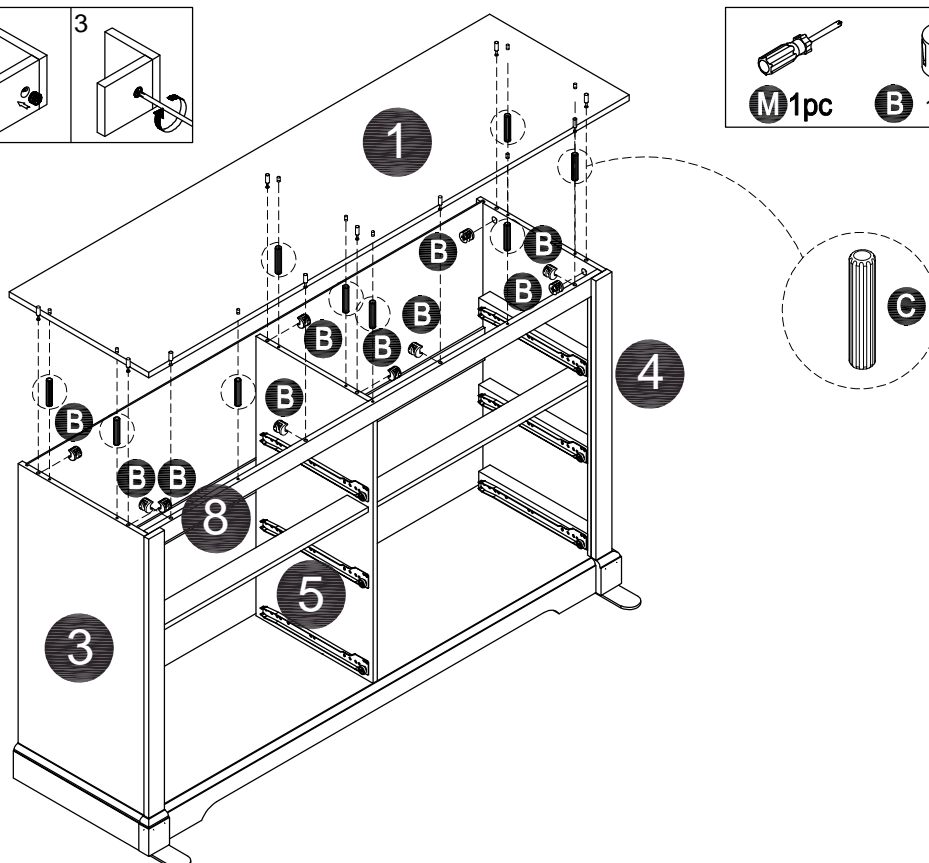
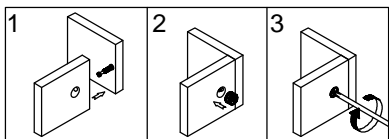
Step 16



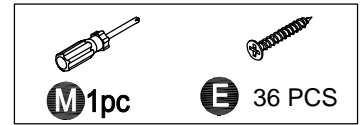
Step 15



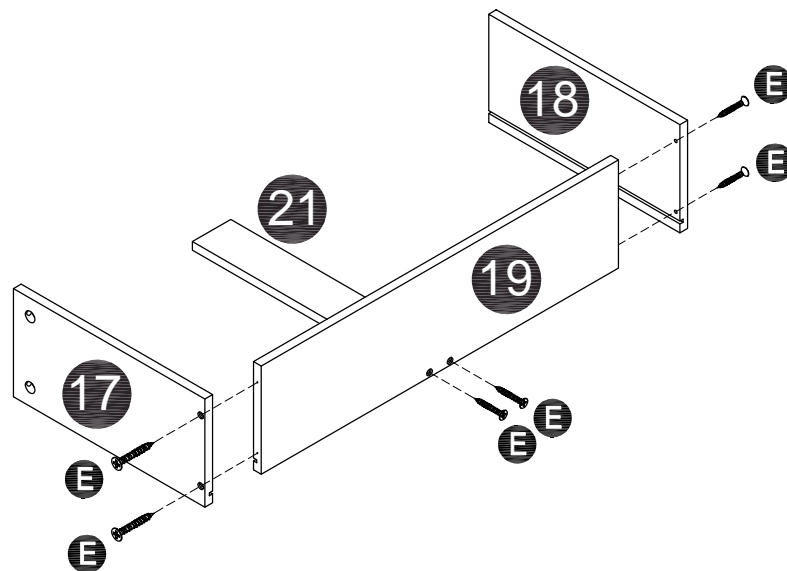
Step 16



Step17

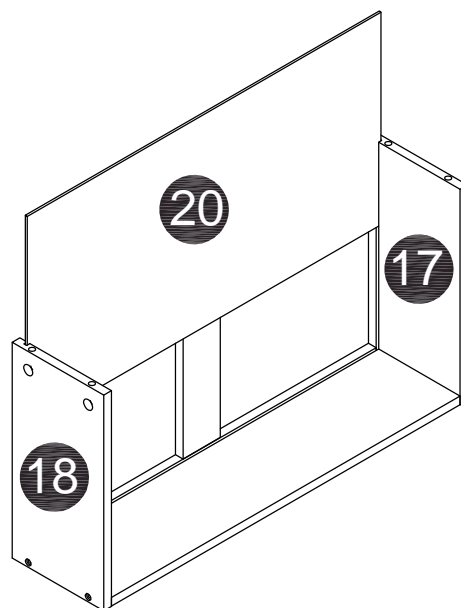


X6

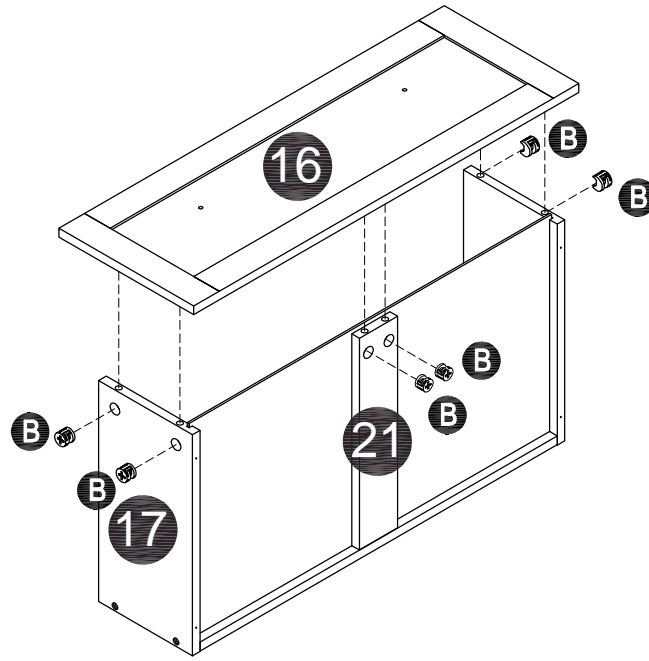
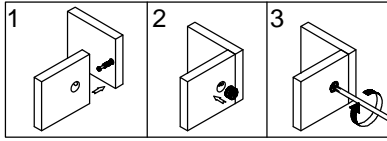


Step18

X6



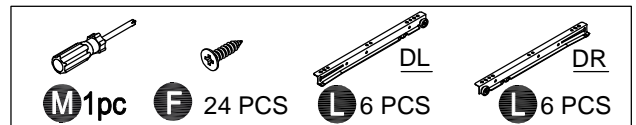
Step 19



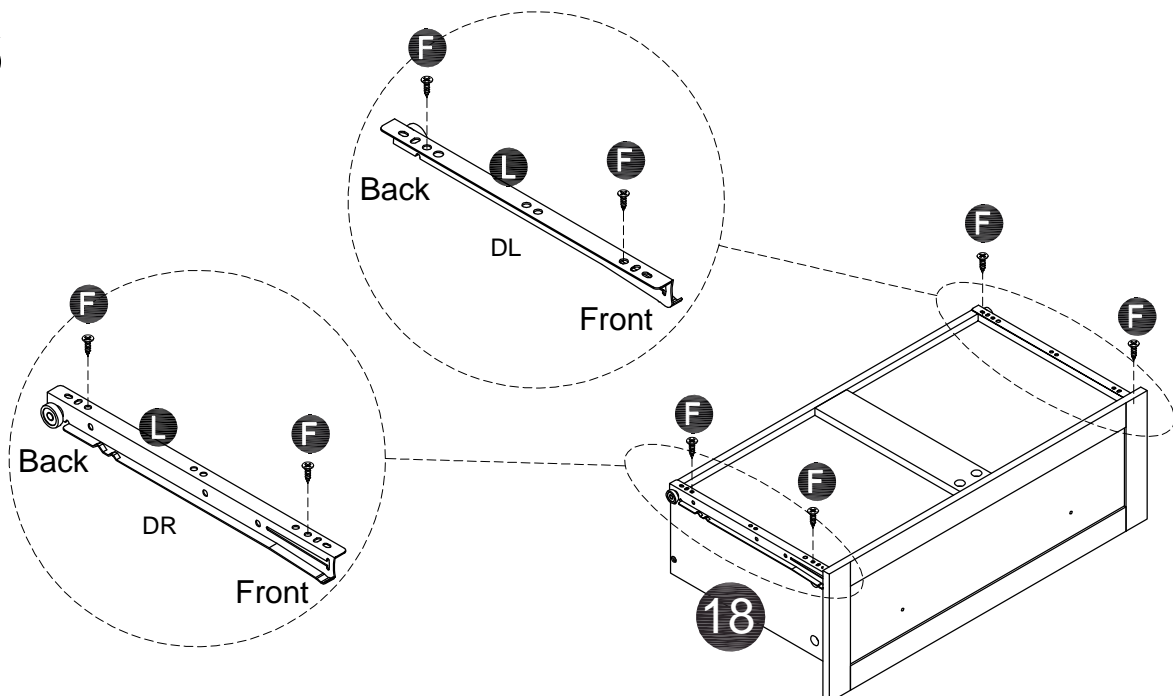
X6

Step 20

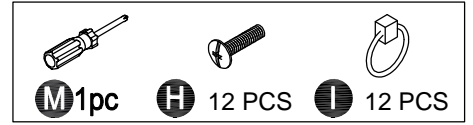
NOTE: Turn the drawer over



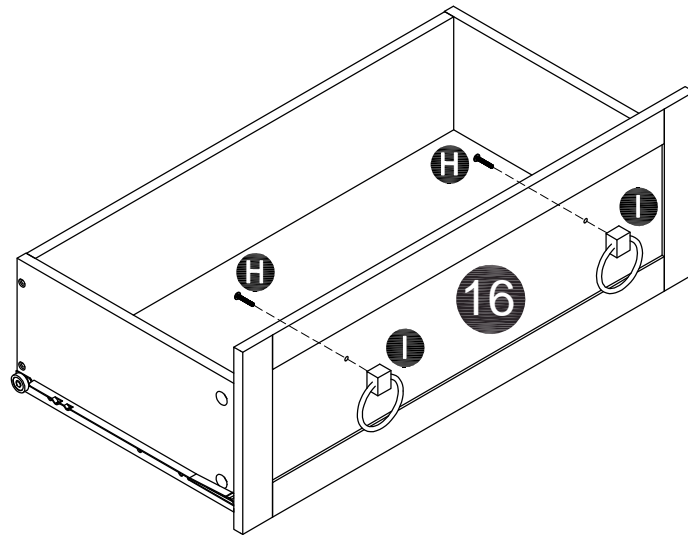
X6



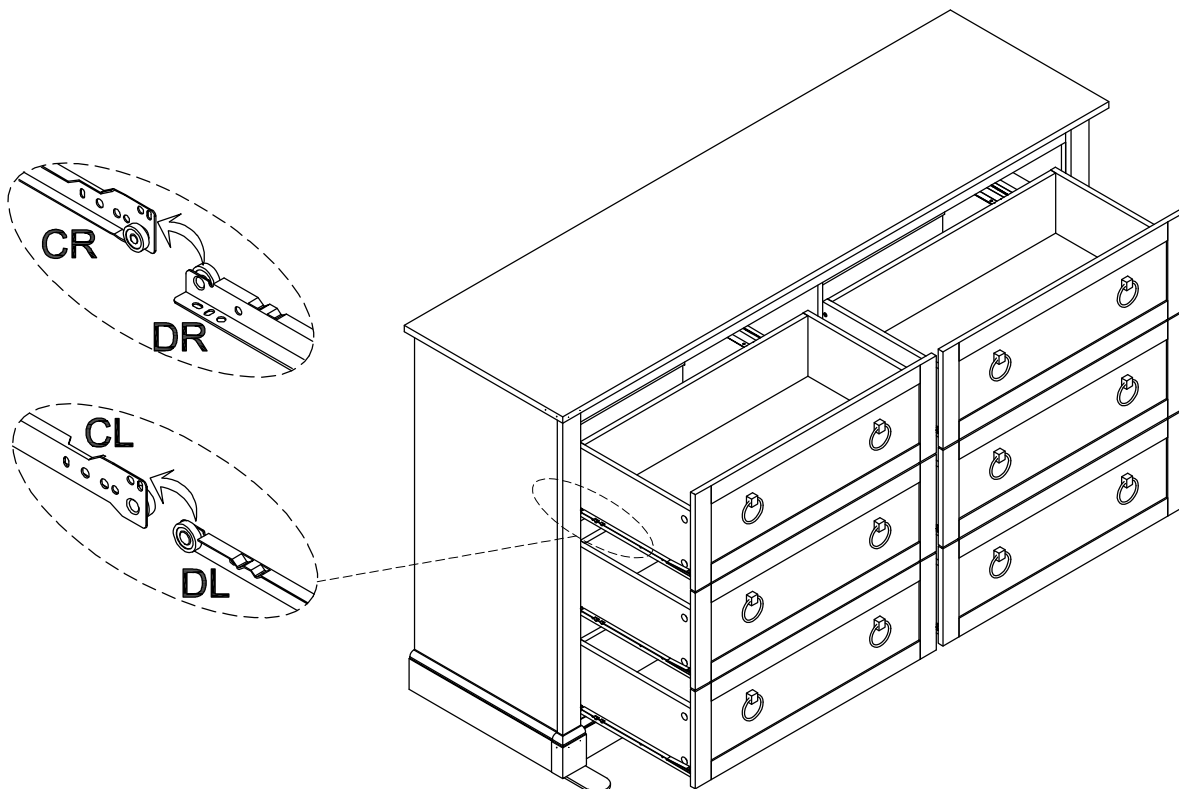
Step21



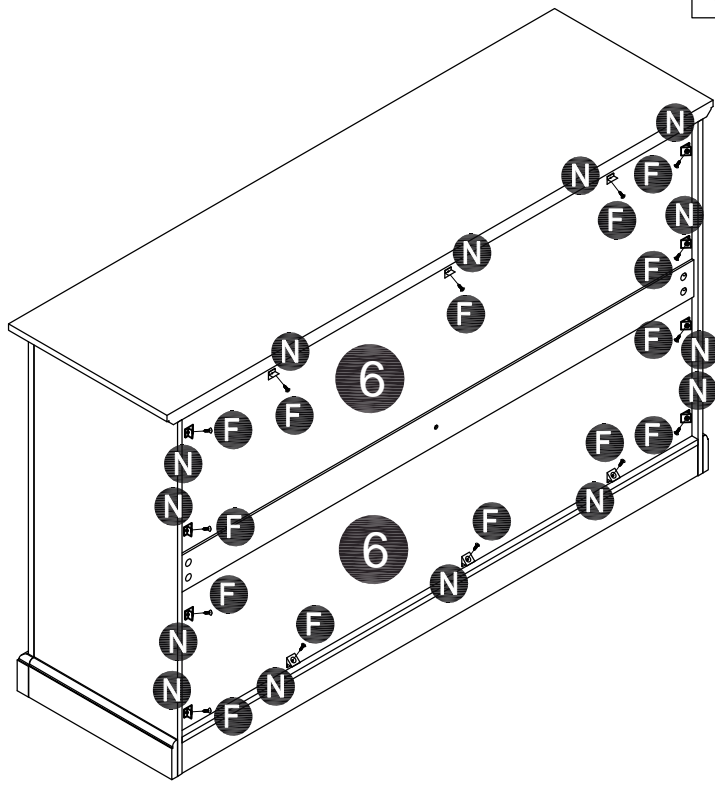
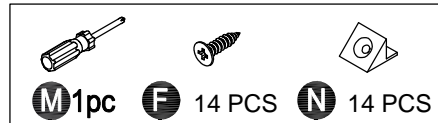
X6



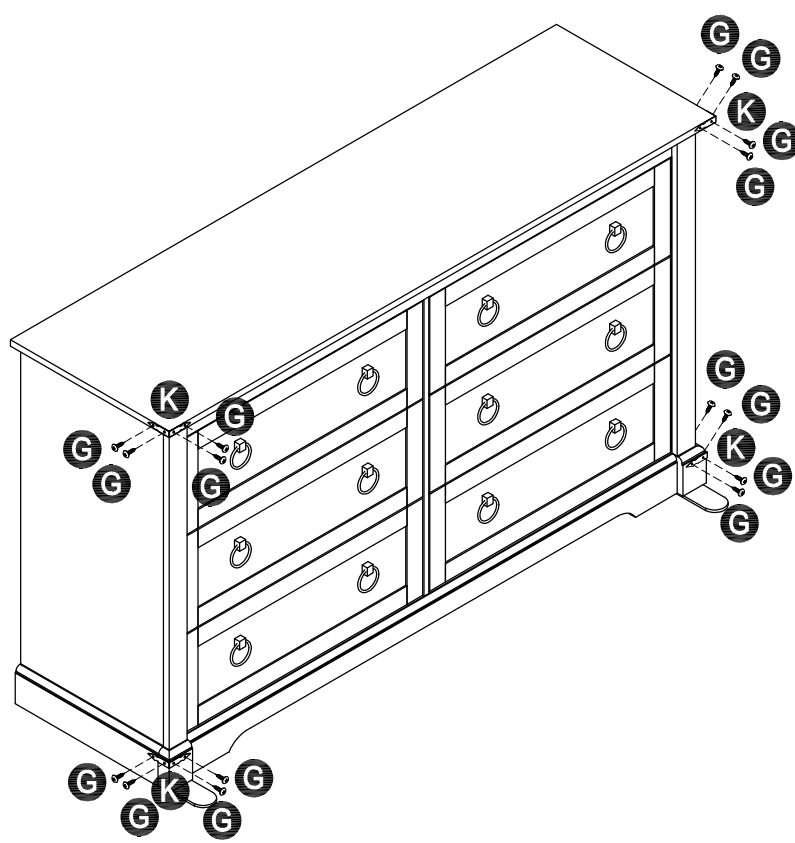
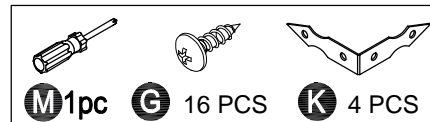
Step22



Step23

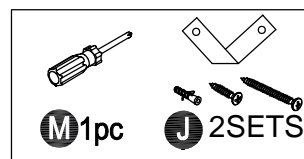
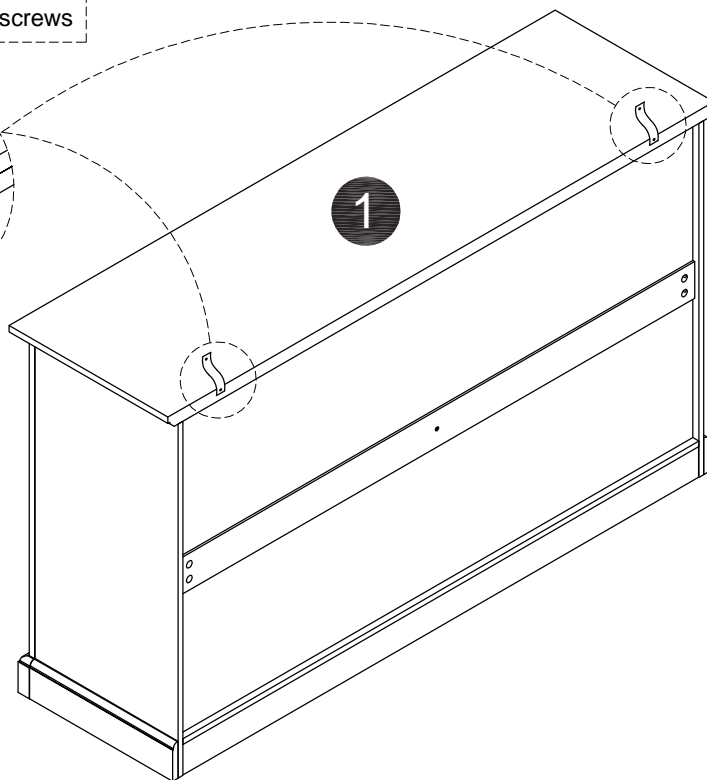
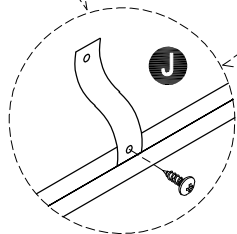


Step24

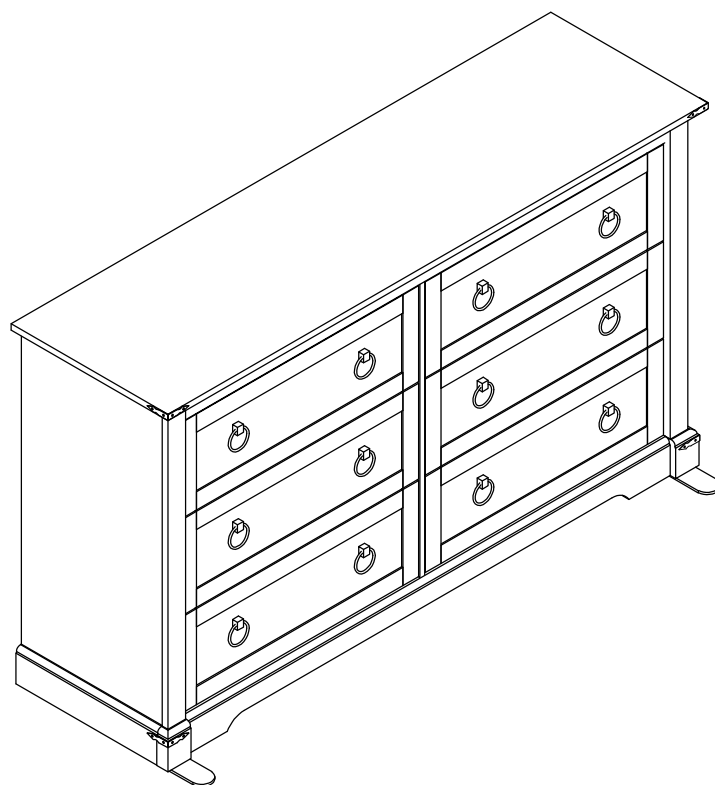


Step25

Assemble anti-rollover device used the short screws

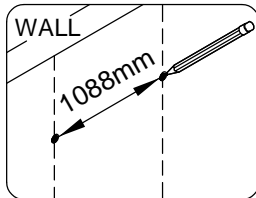
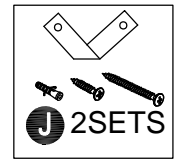


Step26

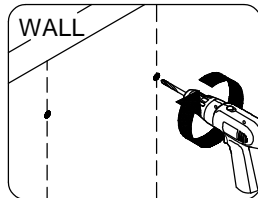


Step27

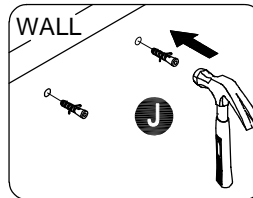
Install the anti-tip kit



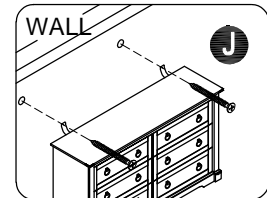
1. Make mark on the wall



2. Drill two Ø6 holes on the wall

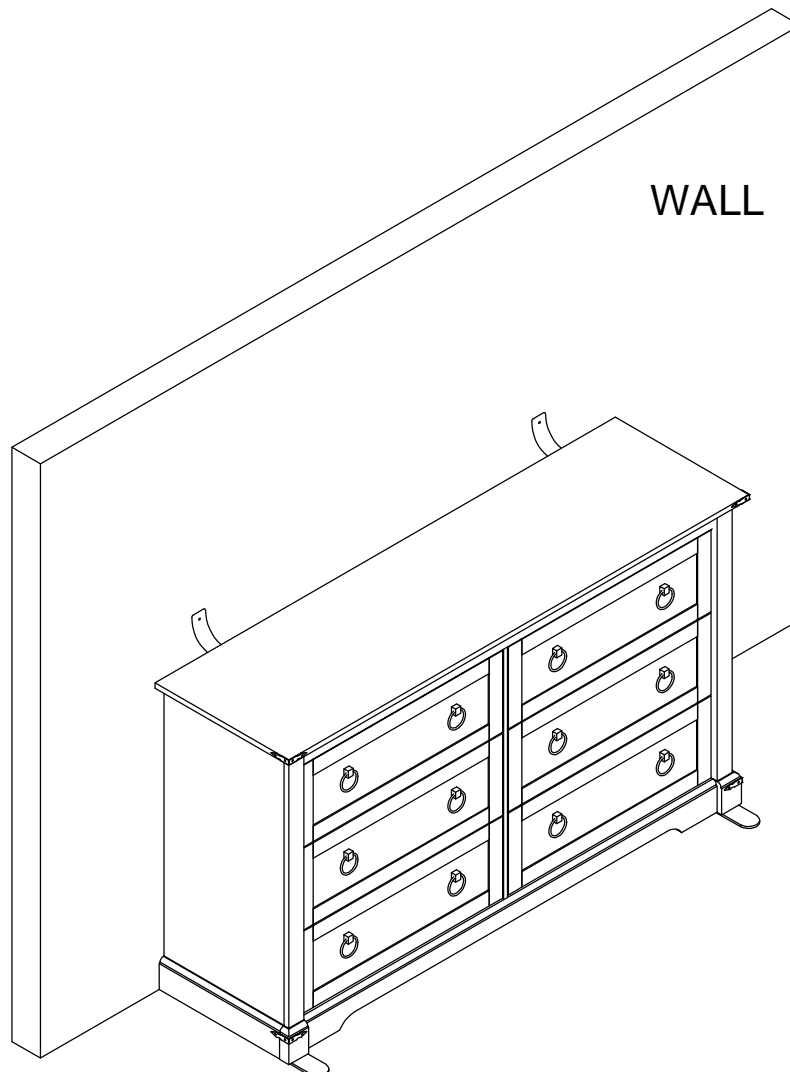


3. Put two anchors in the holes



4. Fix the device to the wall using the long screws

NOTE: Pencil, electric drill, and hammer not included.





Thank you for choosing this product. We strive to provide you with the best quality products and service in the industry. Should you have any issues, please don't hesitate to contact us.