






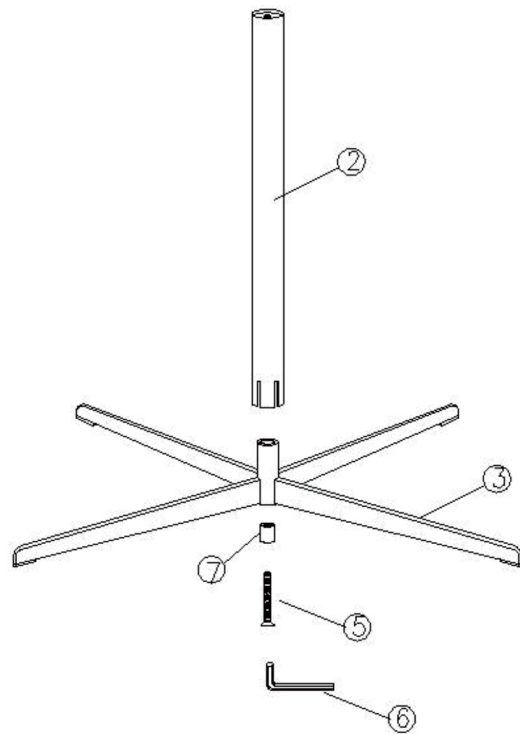


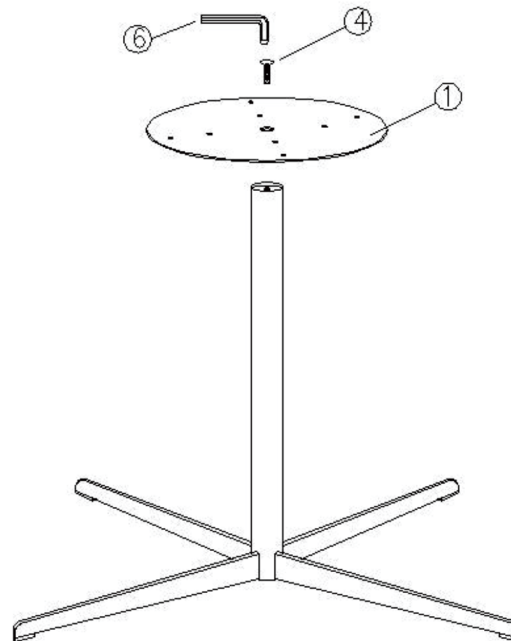
Assembly Instructions

MODEL: DIANA TABLE BASE

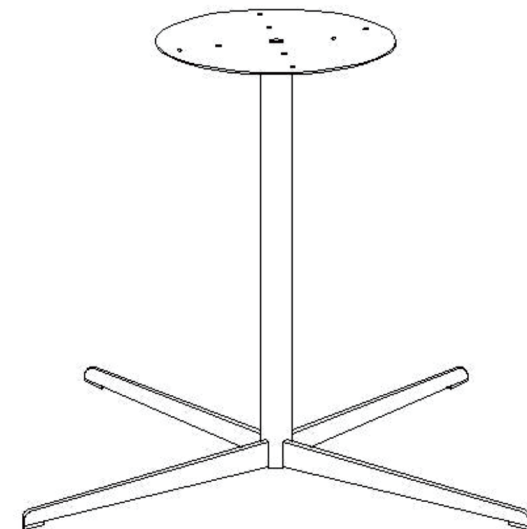
Part No.	Picture	Item	QTY	Part No.	Picture	Item	QTY	Part No.	Picture	Item	QTY	Part No.	Picture	Item	Quantity
①		Top Plate	1pcs	③		Base	1pcs	⑤		Install Screw for Base	1pcs	⑦		Washer	1pcs
②		Center Tube	1pcs	④		Install Screw for Top Plate	3pcs	⑥		Allen Key	1pcs				



STEP 1



STEP 2



FINISHED