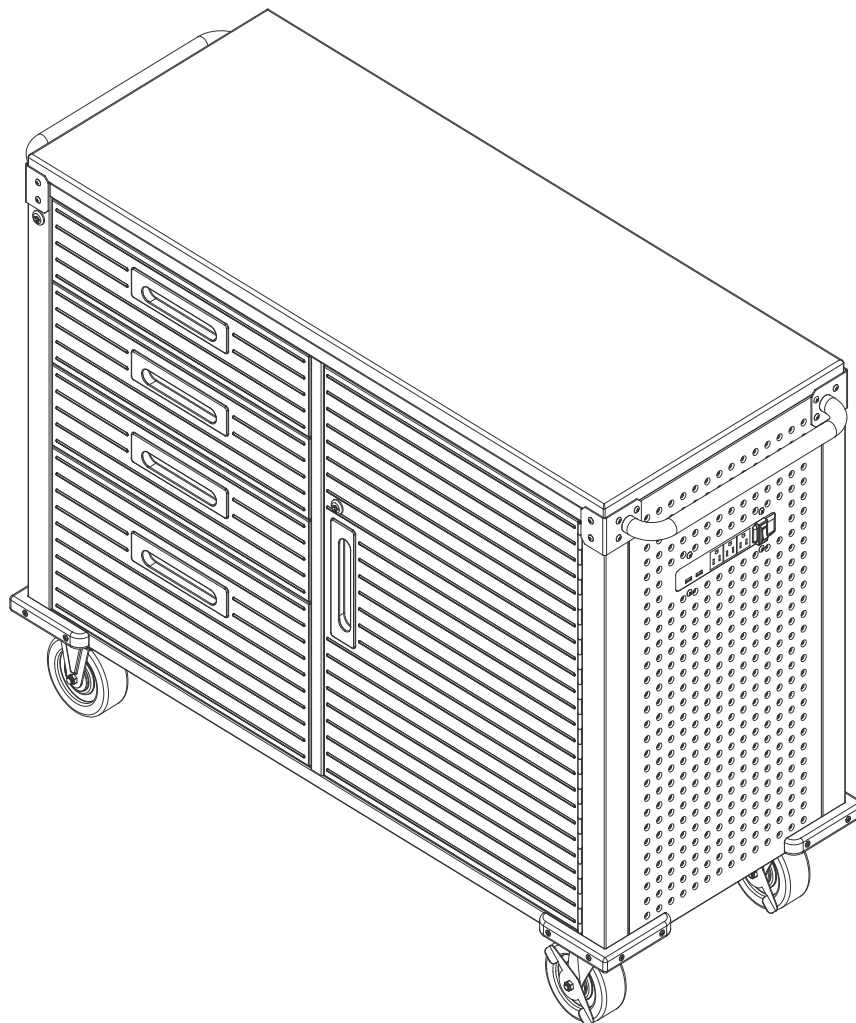


**20108J** 48" W X 20" D X 37.5" H

# ROLLING WORKBENCH CABINET

## INSTRUCTION MANUAL



**IF ANY PARTS ARE  
MISSING OR DAMAGED,  
OR IF YOU HAVE ANY  
QUESTIONS, PLEASE CALL  
1-866-221-8146  
service@SalmonBoy.ca**



Read and understand this instruction manual thoroughly before using the product. It contains important information for your safety, as well as operating and maintenance advice.

Keep this instruction manual for future use. Should this product be passed on to a third party, this instruction manual must be included.



Rolling Workbench Cabinet 20108J

# TABLE OF CONTENTS 2



TECHNICAL SPECIFICATIONS	3
SAFETY GUIDELINES	4
EXPLODED VIEW	5–6
PARTS LIST	7–10
ASSEMBLY INSTRUCTIONS	8–17
WARRANTY	18
ADDITIONAL AND SPARE PARTS	19





# 3 TECHNICAL SPECIFICATIONS

<b>Component</b>	<b>Maximum load</b>
Solid wood board	300 lb (136 kg)
Drawer and shelf	30 lb (13.5 kg)

**NOTE:** Maximum load for this unit is 500 lb (226.7 kg)

# SAFETY GUIDELINES 4



## Safety guidelines

Crucial information that relates to protecting your personal safety and to prevent equipment issues are contained in this manual. It is in your best interest to read this manual carefully beforehand and understand it thoroughly before assembling and using the product. Below are the symbols used to indicate this information.



**CAUTION!**  
**Potential hazard that may result in moderate injury or damage to equipment.**

**Note - The word “Note” is used to inform the reader of something the user needs to know about the tool.**

### SAFETY RECOMMENDATIONS

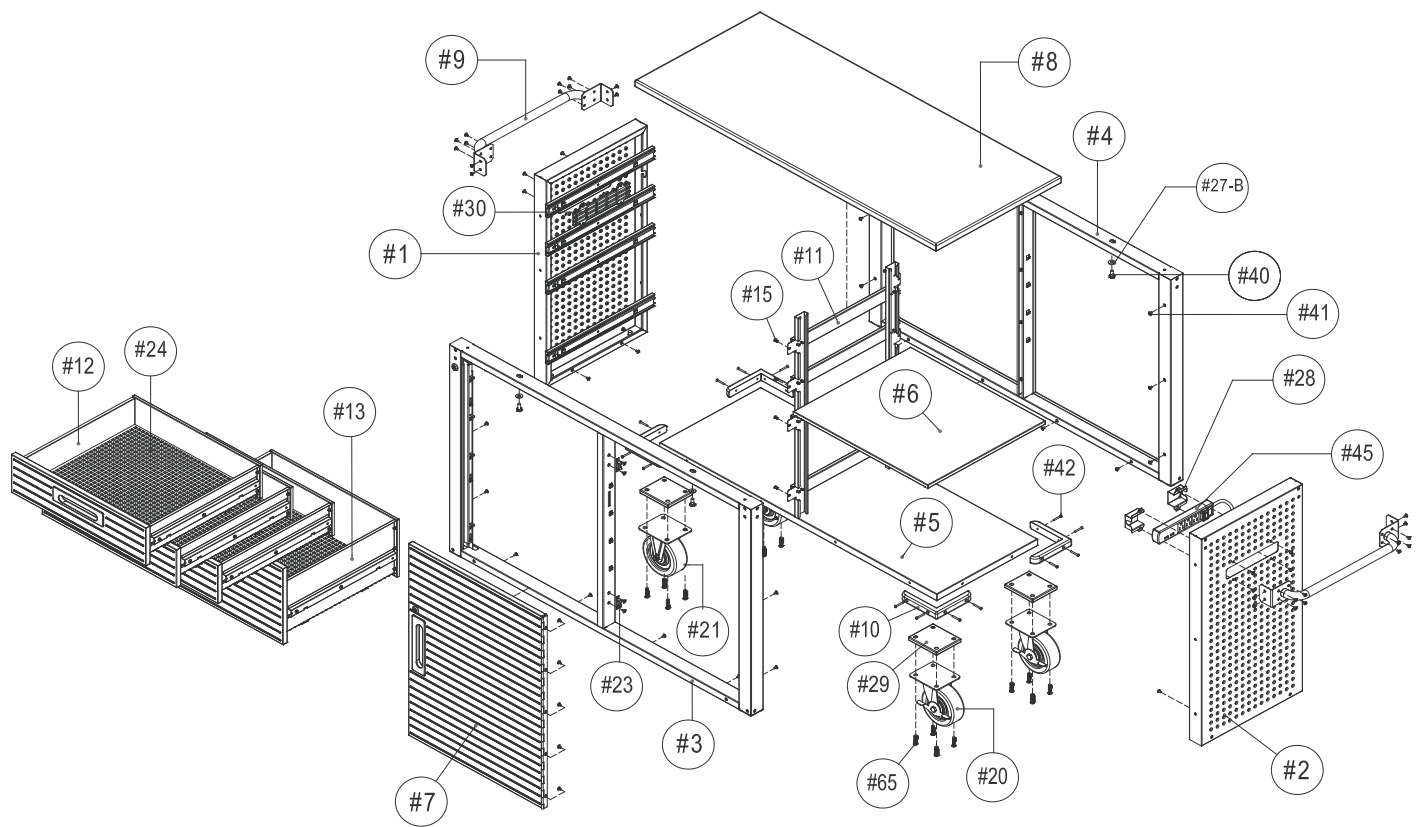
These safety precautions are for the personal safety of the user and others working on the product. Failure to comply with these instructions may cause in serious or even fatal injury, property damage and/ or equipment damage. Take time to read the instructions and fully understand them.



**CAUTION!**  
**Potential hazard that may result in moderate injury or damage to equipment.**

- Place the cabinet on a level surface.
- This product is intended for indoor use only.
- When cleaning use a soft damp to clean the cabinet.
- Do not stand on cabinet, and do not use it as a scaffold.
- Please do not exceed the weight limit specified for this product.
- Any assembly or maintenance of the product must be carried out by adults only.
- Arrange for the necessary man power when assembling and moving the cabinet.
- Check all screws periodically and tighten them, if required.

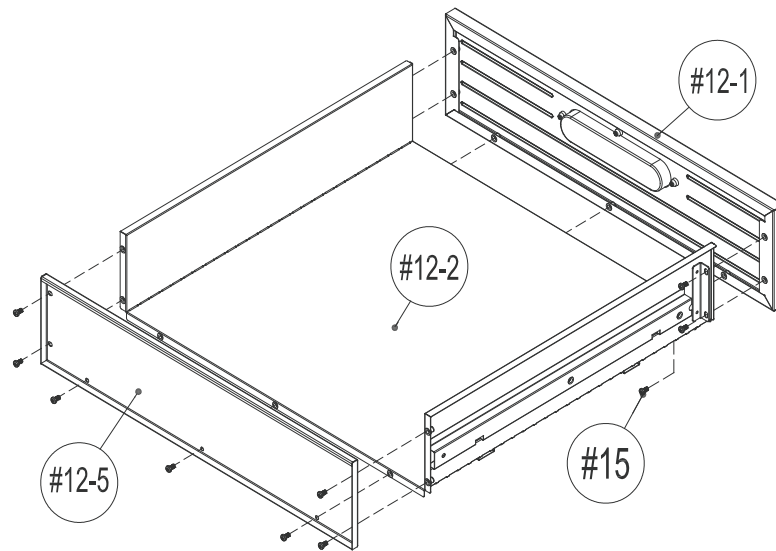
# 5 EXPLODED VIEW



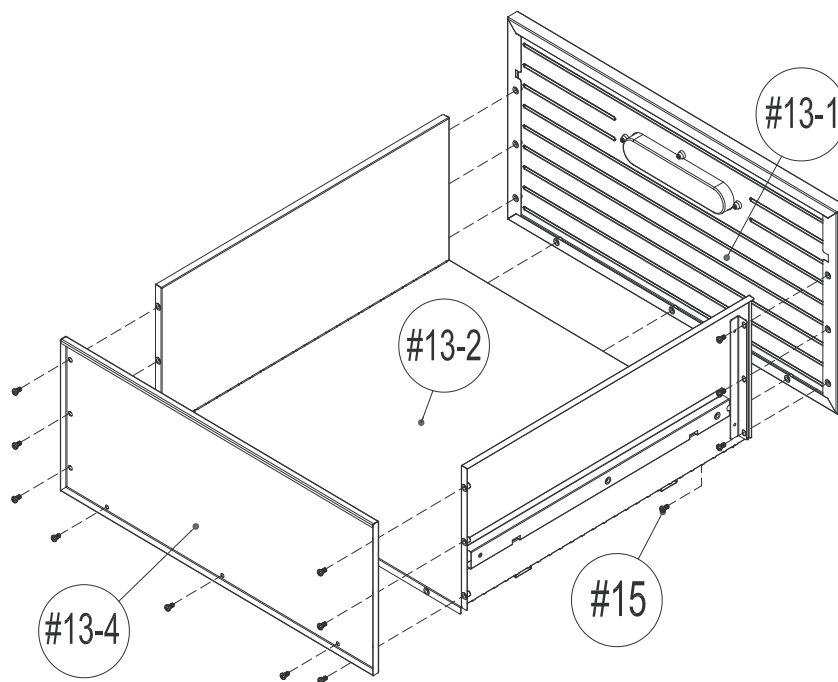
# EXPLODED VIEW 6



(#12) Small Drawer Assembly

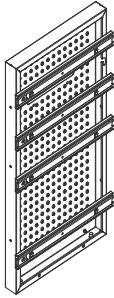
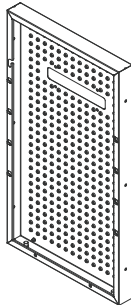
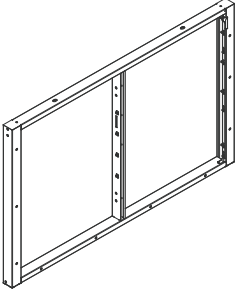
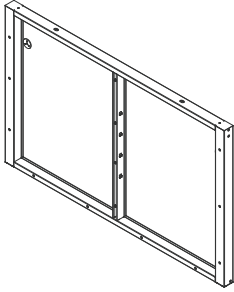
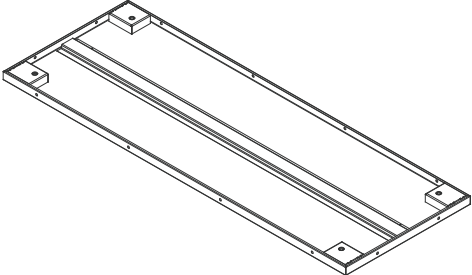
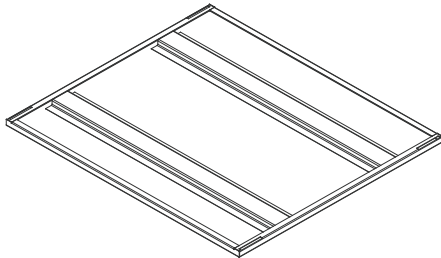
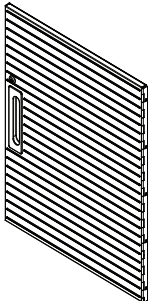
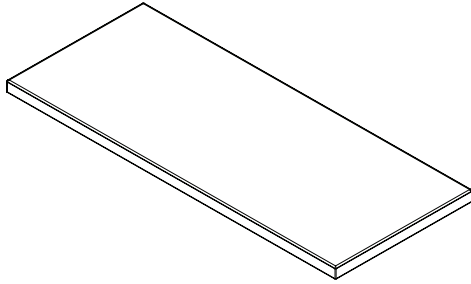


(#13) Large Drawer Assembly



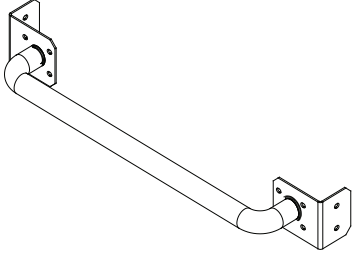
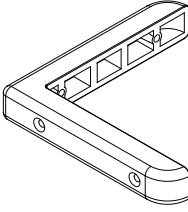
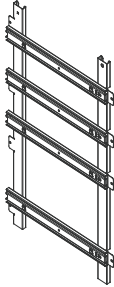
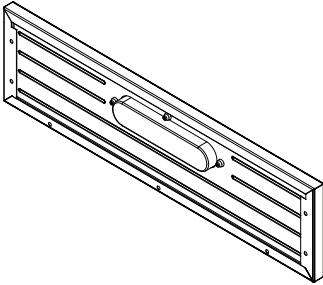
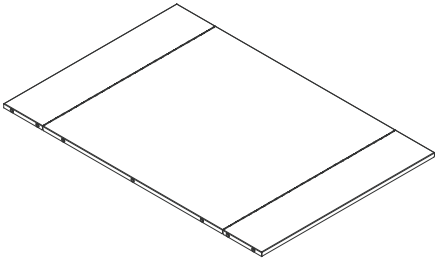
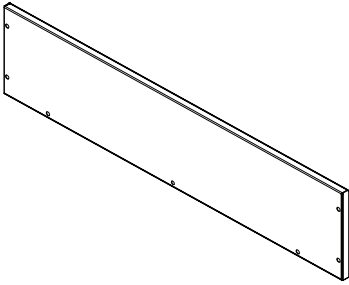
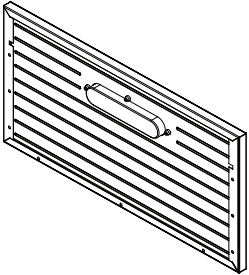
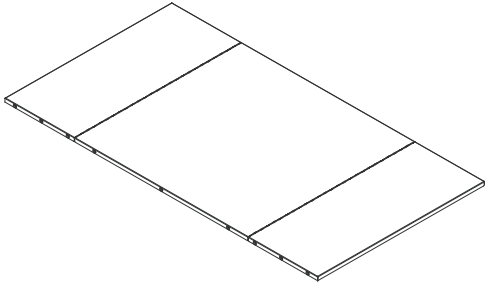
# 7 PARTS LIST

Please check the parts carefully according to the parts list. If you are missing any parts, please contact our customer service department . (Please refer to page 19)

 <p>(#1) LEFT PANEL x 1 PC</p>	 <p>(#2) RIGHT PANEL x 1 PC</p>
 <p>(#3) FRONT FRAME x 1 PC</p>	 <p>(#4) BACK FRAME x 1 PC</p>
 <p>(#5) BASE PANEL x 1 PC</p>	 <p>(#6) SHELF x 1 PC</p>
 <p>(#7) DOOR x 1 PC</p>	 <p>(#8) SOLID HARDWOOD BOARD x 1 PC</p>

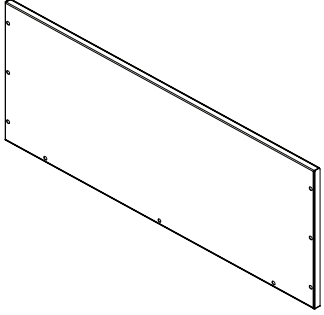
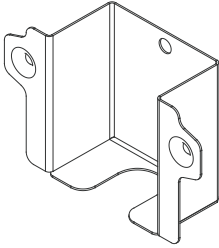
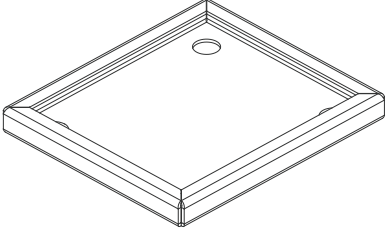
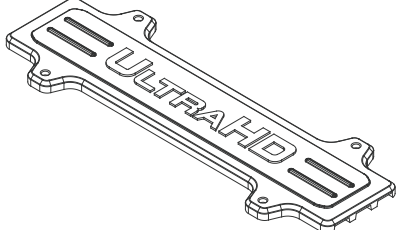
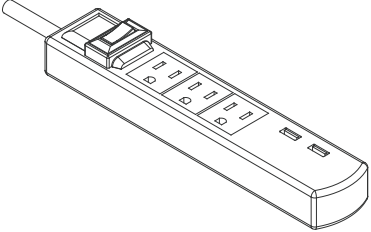
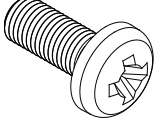
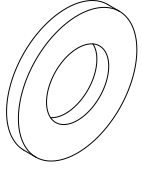
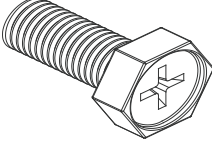
# PARTS LIST 8

Please check the parts carefully according to the parts list. If you are missing any parts, please contact our customer service department . (Please refer to page 19)

 <p>(#9) PUSH BAR x 2 PCS</p>	 <p>(#10) BUMPER x 4 PCS</p>
 <p>(#11) RIGHT DRAWER SLIDE SUPPORT x 1 PC</p>	 <p>(#12-1) SMALL DRAWER FRONT x 3 PCS</p>
 <p>(#12-2) SMALL DRAWER BOTTOM PANEL x 3 PCS</p>	 <p>(#12-5) SMALL DRAWER BACK PANEL x 3 PCS</p>
 <p>(#13-1) LARGE DRAWER FRONT PANEL x 1 PC</p>	 <p>(#13-2) LARGE DRAWER BOTTOM PANEL x 1 PC</p>

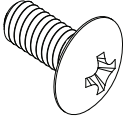
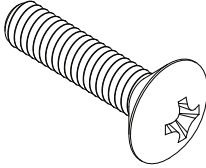
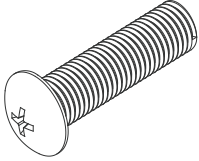
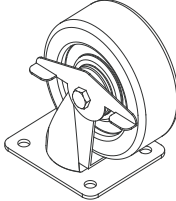

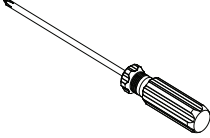
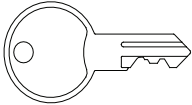
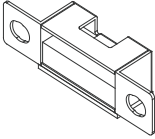
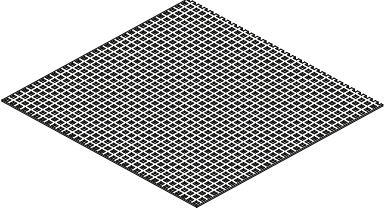
# 9 PARTS LIST

Please check the parts carefully according to the parts list. If you are missing any parts, please contact our customer service department . (Please refer to page 19)

 <p>(#13-4) LARGE DRAWER BACK PANEL x 1 PC</p>	 <p>(#28) SOCKET FIXED SEAT x 2 PCS</p>
 <p>(#29) CASTER SEAT CUSHION x 4PCS</p>	 <p>(#30) SIDE PANEL LOGO TRIM x 1 PC</p>
 <p>(#45) USB MULTIPLE SOCKET-OUTLET x 1 PC</p>	 <p>(#15) SCREW B ( M4 x 8L) x 84 PCS</p>
 <p>(#27-B) WASHER (M8) x 4 PCS</p>	 <p>(#40) BOLT E (M8 x 18) x 4 PCS</p>

# PARTS LIST 10

Please check the parts carefully according to the parts list. If you are missing any parts, please contact our customer service department . (Please refer to page 19)

 <p>(#41) SCREW F (M4 x 8) x 65 PCS</p>	 <p>(#42) SCREW G (M4 x 30) x 16 PCS</p>
 <p>(#65) SCREW P (M8 x 30) x 16 PCS</p>	 <p>(#20) SWIVEL WHEEL WITH BRAKE x 2 PCS</p>
 <p>(#21) FIXED WHEEL W/O BRAKE x 2 PCS</p>	 <p>(#26) SCREWDRIVER x 1 PC</p>
 <p>(#22) DOOR KEY x 4PCS (attach on the door panels)</p>	 <p>(#23) Magnet x 2 PCS</p>
 <p>(#24) DRAWER MAT x 4PCS</p>	

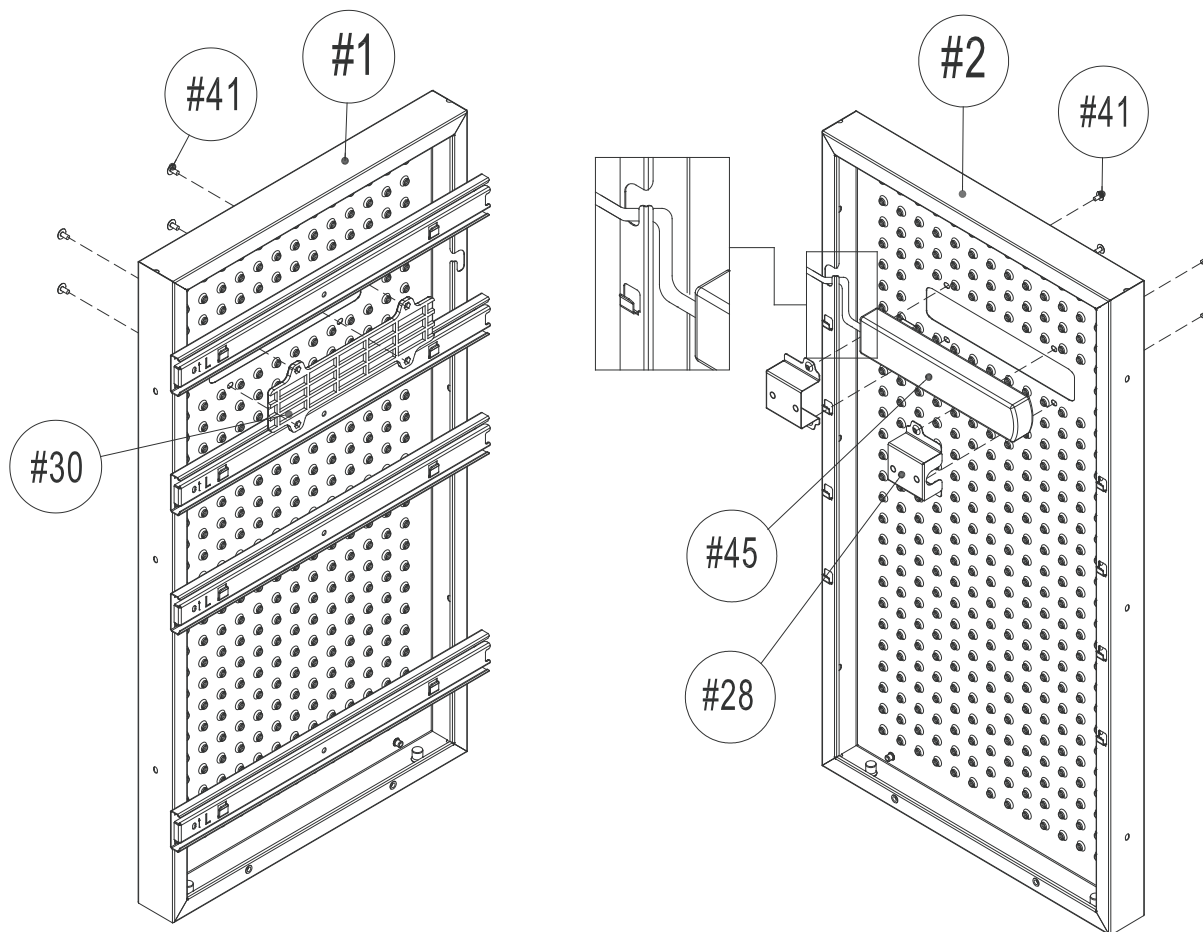
# 11 ASSEMBLY INSTRUCTIONS



\*NOTE: We recommend having TWO people to assemble the cabinet.



## Install (#30) side panel logo trim and (#45) USB multiple socket-outlet



1. Attach (#45) USB multiple socket-outlet on the side panel, which can be assembled on (#1) the left side panel or (#2) the right side panel according to user demand.
2. Attach multiple socket-outlet on the side panel, use 2 pcs (#28) socket fixed seat and 4 pcs (#41) screws F to install, put multiple socket-outlet cable into the wire slot of side panel, as show picture B.
3. Install (#30) side panel logo trim, as show picture A, use 4 pcs (#41) screws F to tighten on the side panel.

# ASSEMBLY INSTRUCTIONS 12

## ASSEMBLY PREPARATION

- Assemble the cabinet on a clean, level surface.
- Remove all protection of packaging, and ensure that all parts listed on page 2 are available.
- When installing parts that have more than one screw, tighten all screws by hand before tightening them with the screwdriver provided.
- The package contains an updated product construction designed for ease of transportation while maintaining a rigid structure.

**TIP:** A magnetic screwdriver is included. If utilizing a power screwdriver, use low torque setting.

**WARNING:** It is recommended to wear gloves during assembly, because some parts may have edges.

## ASSEMBLY INSTRUCTIONS

### 1. Install Back Frame (#4)

Remove the solid hardwood board (#8) and the back frame (#4) from the package. Place the back frame (#4) onto the solid hardwood board (#8) as shown in the diagram.

Next, take out 2 washers (#27-B) and 2 screws E (#40). Using the screwdriver (#26), securely fasten the back frame to the solid hardwood board.

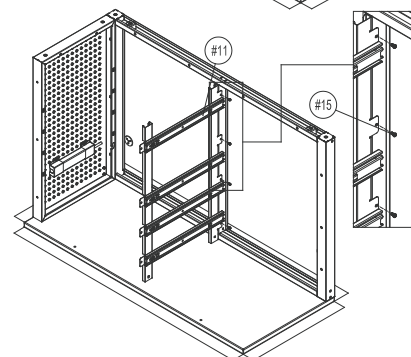
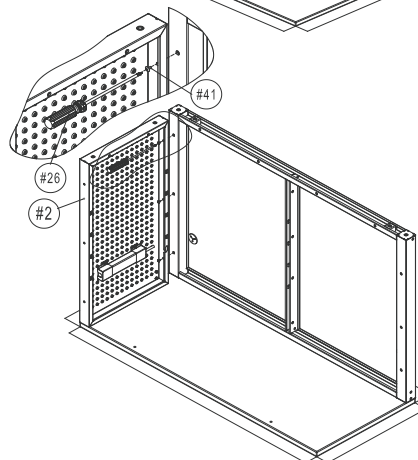
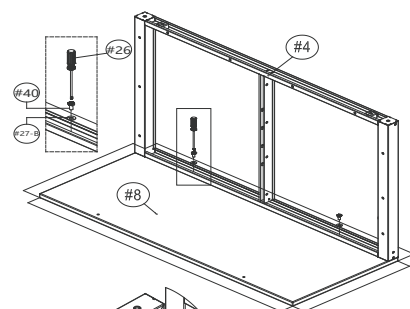
**Note:** Step 1~Step 5, don't tighten screws completely.

### 2. Install (#2) Right Side Panel

Attach the right side panel (#2) to the solid hardwood board as shown in the diagram. Use 3 screws F (#41) to secure it to the back frame.

### 3. Install (#11) the Right drawer Slide Support

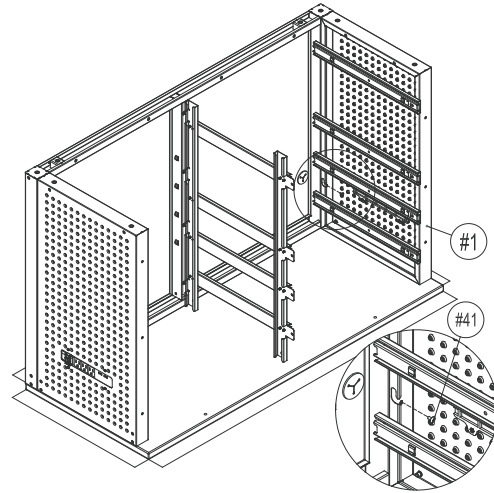
Attach the right drawer slide support (#11) to the solid hardwood board as shown in the diagram. Make sure to align it according to the direction in which the slide rail extends. Use 4 screws B (#15) to secure it to the back frame.



# 13 ASSEMBLY INSTRUCTIONS

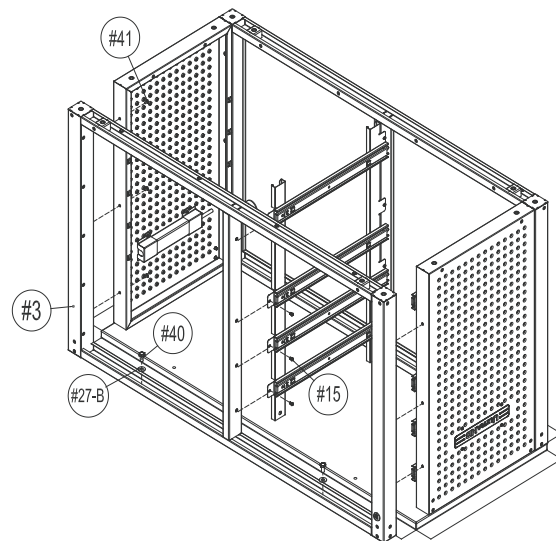
## 4. Install the Left Side Panel (#1)

Repeat Step 2: Attach the left side panel (#1) to the solid hardwood board. Use 3 screws F (#41) to secure it to the back frame.



## 5. Install the Front Frame(#3)

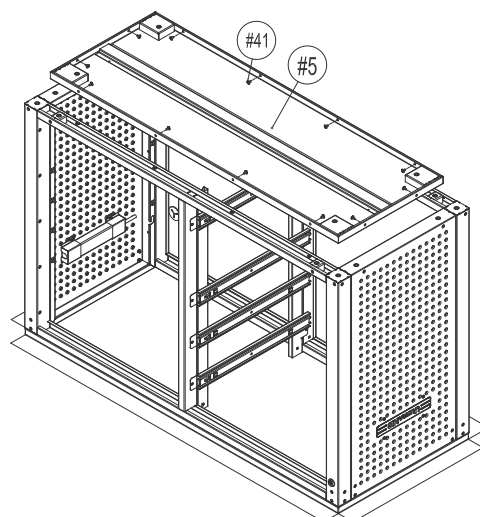
Attach the front frame (#3) to the solid hardwood board as shown in the diagram. Use 6 screws F (#41) to secure it to the left and right side panels. Then, use 4 screws B (#15) to attach it to the right drawer slide support (#11). Finally, use 2 washers (#27-B) and 2 screws E (#40) to fasten the front frame to the solid hardwood board.



**Note:** Ensure all screws are fully tightened. Make sure the edges of all components are properly aligned before securing them.

## 6. Install the Base Panel (#5)

Attach the base panel (#5) to the right drawer slide support as shown in the diagram. Use 12 screws F (#41) to secure the base panel to the left and right side panels, the back frame, and the front frame.



# ASSEMBLY INSTRUCTIONS 14

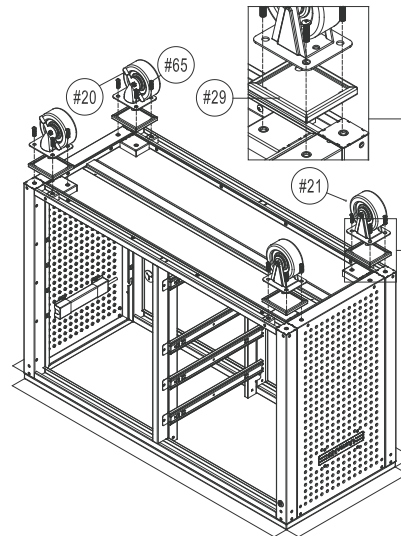
## 7. Install (#29) the Caster seat cushion and Wheels (#20 & #21)

Attach 4 caster seat cushions (#29) and 4 wheels — 2 swivel wheels with brakes (#20) and 2 fixed wheels without brakes (#21) — to the frame as shown in the diagram.

Use 16 screws P (#65) to securely fasten the caster seat cushions and wheels.

Ensure that both fixed wheels (#21) are installed on the same end (either right or left side) of the workbench, and both swivel wheels with brakes (#20) are installed on the opposite end.

**Note:** The opening direction of the caster seat cushions (#29) must face upward, as indicated by the arrow in the diagram.

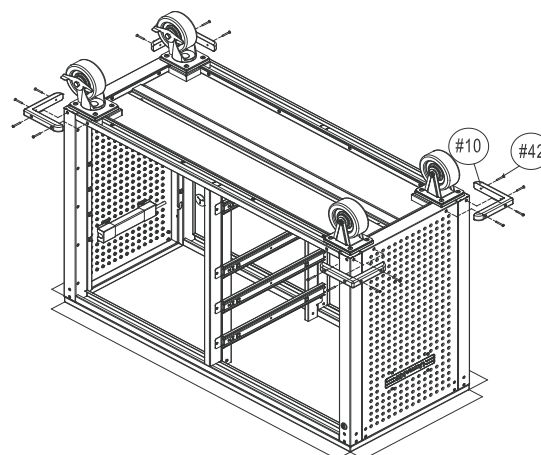


## 8. Install the Bumpers (#10)

Install 4 bumpers (#10) on the four corners of the cabinet as shown in the diagram.

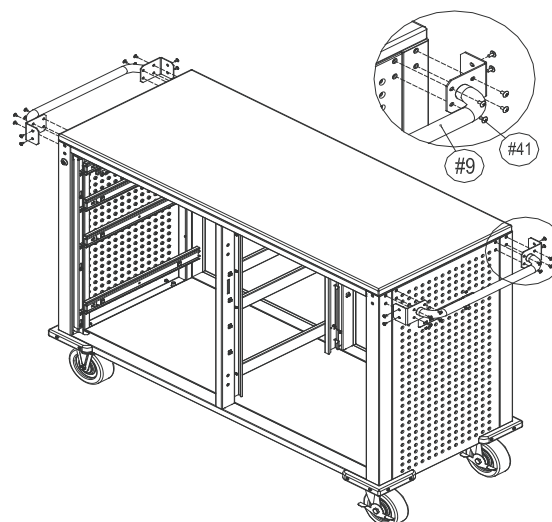
Use 16 screws G (#42) and a screwdriver to securely fasten them.

**Note:** When installing the bumpers, tighten the screws just until they are slightly recessed below the surface of the rubber corner protectors. Do not overtighten, as this may damage the bumpers.



## 9. Install (#9) the Handlebars

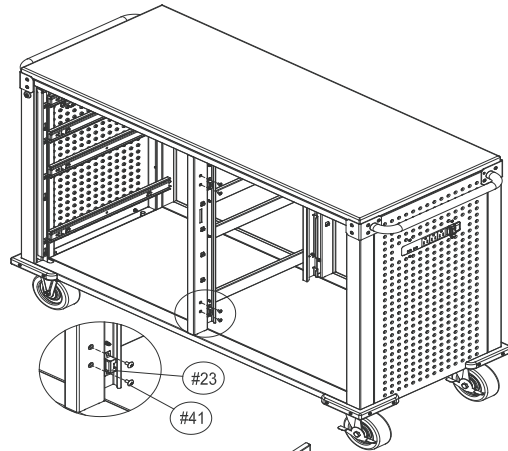
Install 2 handle bars (#9) on both sides of the cabinet. Use 24 screws F (#41) to securely fasten them.



# 15 ASSEMBLY INSTRUCTIONS

## 10. Install (#23) the Magnets

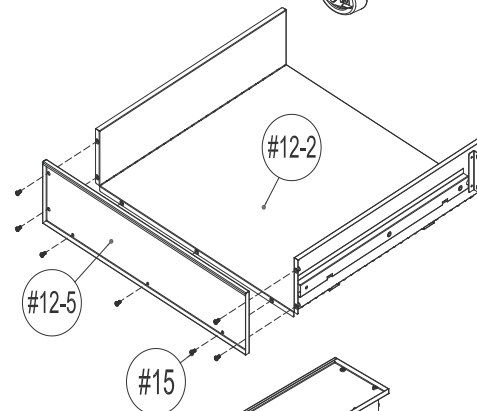
Install 2 magnets (#23) on the right side of the center column of the front frame, as shown above. Use 4 screws F (#41) to securely fasten them.



## 11. Install (#12-2) the Small Drawer Base and (#12-5) the Small Drawer Back Panels.

A. Fold the left and right sides of the small drawer base (#12-2) as shown in the diagram.

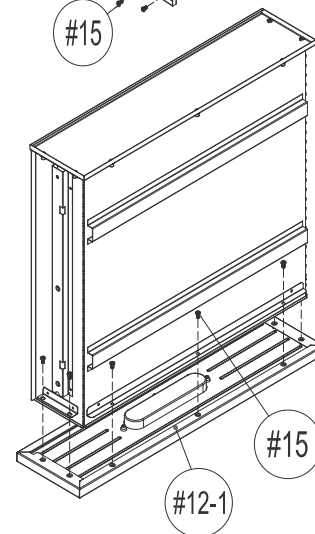
B. Attach the small drawer back panel (#12-5) to the small drawer base. Use 7 screws B (#15) to secure it.



## 12. Install Small Drawer Front panel (#12-1)

Install the small drawer base (#12-2) onto the middle drawer panel (#12-1) from top to bottom, as shown in the diagram. Use 7 screws B (#15) to secure it.

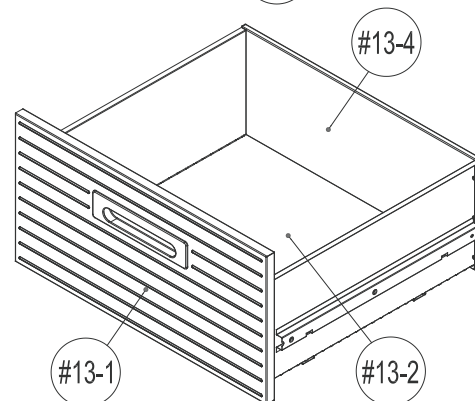
Repeat these steps to assemble the other two small drawers (#12).



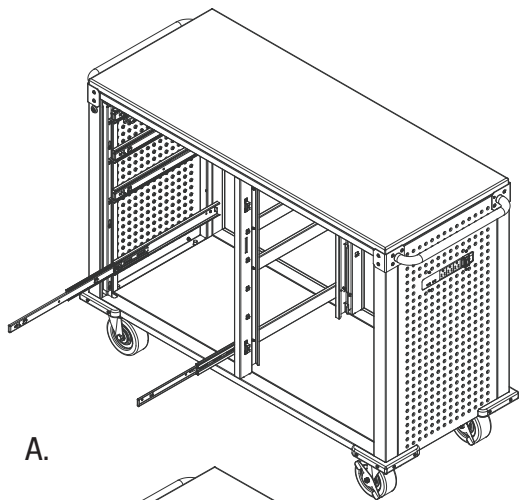
## 13. Install the Large Drawer (#13)

Following Steps 11 and 12, assemble the large drawer front panel (#13-1), large drawer base (#13-2), and large drawer back panel (#13-4).

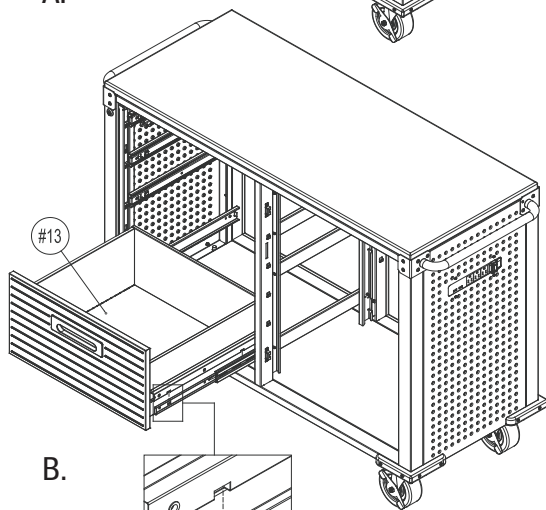
Use 18 screws B (#15) to securely fasten these parts together.



# ASSEMBLY INSTRUCTIONS 16



A.



B.

## 14. Place the Drawers

A. Fully extend the drawer sliders. Align the square holes on the drawer side panels with the sliders, and carefully hook the drawer onto the sliders, as shown in the diagram.

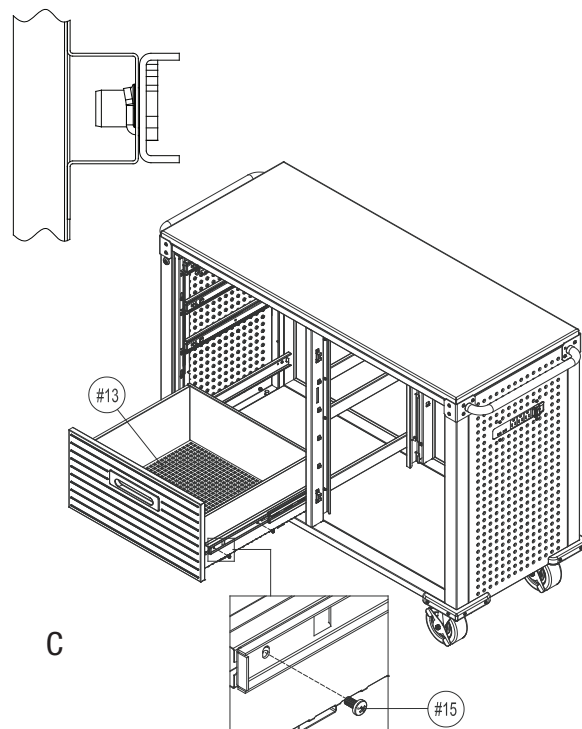
B. Use 4 screws B (#15) to securely fasten the drawer slides.

C. Repeat Step 14 to install the remaining three small drawers (#12).

D. Place one drawer mat (#24) into each drawer.

**Note:** If the gaps between the drawers appear uneven after installation, you can adjust them by loosening the screws on the inner drawer rails. Gently move the drawer up or down as needed, then re-tighten the screws to secure the alignment.

**Note:** If the gaps between the drawers appear uneven after installation, you can adjust them by loosening the screws on the inner drawer rails. Gently move the drawer up or down as needed, then re-tighten the screws to secure the alignment.



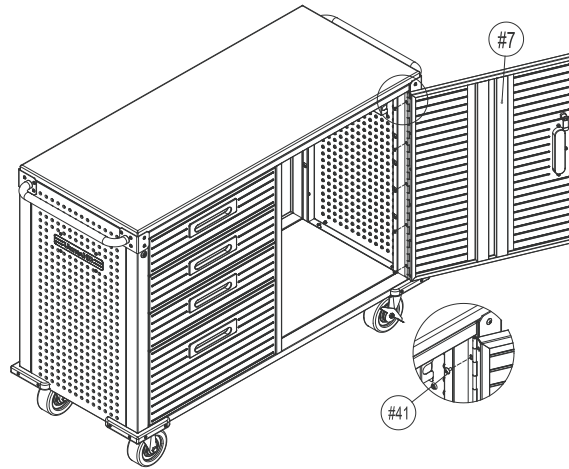
C

# 17 ASSEMBLY INSTRUCTIONS

## 15. Install the Door (#7)

Attach the door panel (#7) to the front frame. Use 5 screws F (#41) to securely fasten it in place.

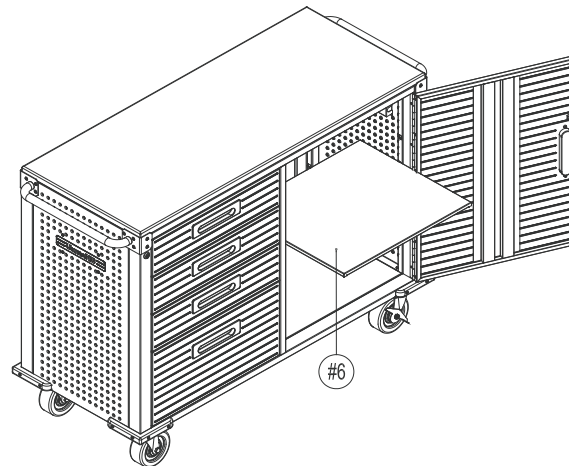
**Note:** The oval holes on the door hinges allow for minor height adjustments, making it possible to center and align the door properly within the door frame.



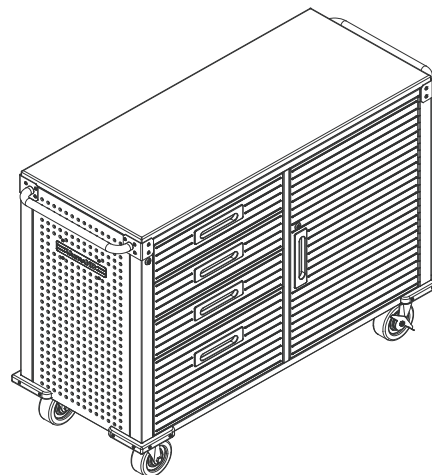
## 16. Install the Shelf (#6)

Place the shelf (#6) in the unit at your desired height. Ensure that all four corners are firmly secured on the front and back hooks.

**Note:** The shelf height is adjustable and can be changed by repositioning it on the hooks inside the cabinet.



**Assembly Complete.**



# WARRANTY 18



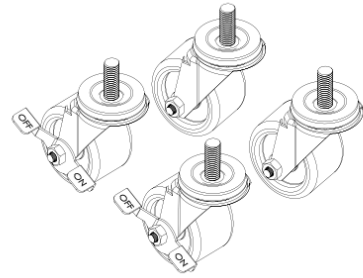
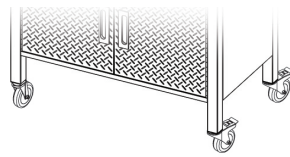
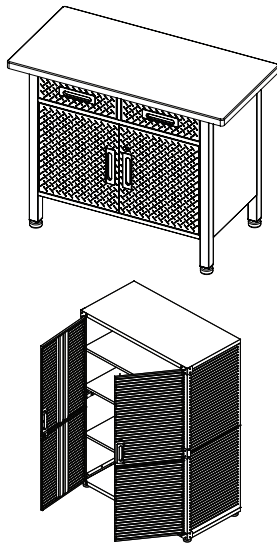
This BLACKCOMB® product carries a one-year limited warranty against defects in materials and workmanship. Subject to conditions and limitations described below, this product, if returned to us with proof of purchase within the stated warranty period and if covered under this warranty, will be repaired or replaced (with the same model, or one of equal value or specification), at our option. We will bear the cost of any repair or replacement of the product and any costs of labour relating thereto.

## **This warranty is subject to the following conditions and limitations :**

- a. A bill of sale to verify the purchase and purchase date must be provided.
- b. This warranty will not apply to any product or part thereof that is worn or damaged or that has become inoperative due to abuse, misuse, accidental damage, neglect, or lack of proper installation, operation, or maintenance (as outlined in the applicable instruction manual or operating instructions), or that is being used for industrial, professional, commercial or rental purposes.
- c. This warranty will not apply to normal wear and tear or to expendable parts or accessories that may be supplied with the product that are expected to become inoperative or unusable after a reasonable period of use.
- d. This warranty will not apply where damage is caused by repairs made or attempted by others (i.e., persons not authorized by the manufacturer).
- e. This warranty will not apply to any product that was sold to the original purchaser as a reconditioned or refurbished product (unless otherwise specified in writing).
- f. This warranty will not apply to any product or part thereof if any part from another manufacturer is installed therein or any repairs or changes have been made or attempted by unauthorized persons.
- g. This warranty will not apply to normal deterioration of the exterior finish, such as, but not limited to, scratches, dents, paint chips, or to any corrosion or discolouring by heat, or abrasive and chemical cleaners.
- h. This warranty applies only to the original purchaser and may not be transferred. Neither the retailer nor the manufacturer shall be liable for any other expense, loss, or damage, including, without limitation, any indirect, incidental, consequential, or exemplary damages arising in connection with the sale, use or inability to use this product.

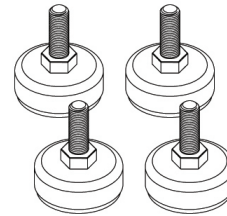
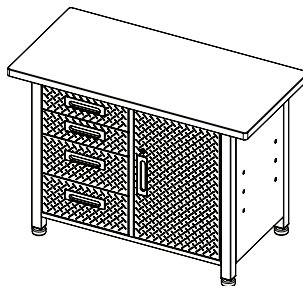
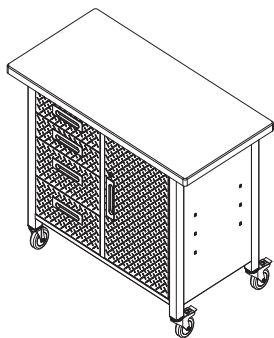
# 19 ADDITIONAL & SPARE PARTS

Salmon Boy Ltd. proudly provides additional and spare parts for your BLACKCOMB cabinets and workbenches. Feel free to contact us if you have any questions or need any additional, spare parts, please email or call us: **Service@SalmonBoy.ca, 1-866-221-8146.**



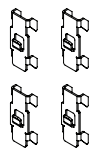
## M14 wheel module

a set of 4 rolling casters (2 with breaks)  
for 20248J, 16241J, 68-6364, 68-6365, 68-1221,  
68-0667 cabinets/ workbenches



## M12 Leveling feet

a set of 4 leveling feet for 68-1224 workbench



## Extra shelf

a shelf with 4 hooks (if the shelf needs hooks)  
for 20248J, 20209J, 16236J, 16241J, 20205J, 68-0558,  
68-1224, 68-1226, 68-6364, 68-6365, 68-6366, 68-1221  
or 68-0667 cabinets/ workbenches



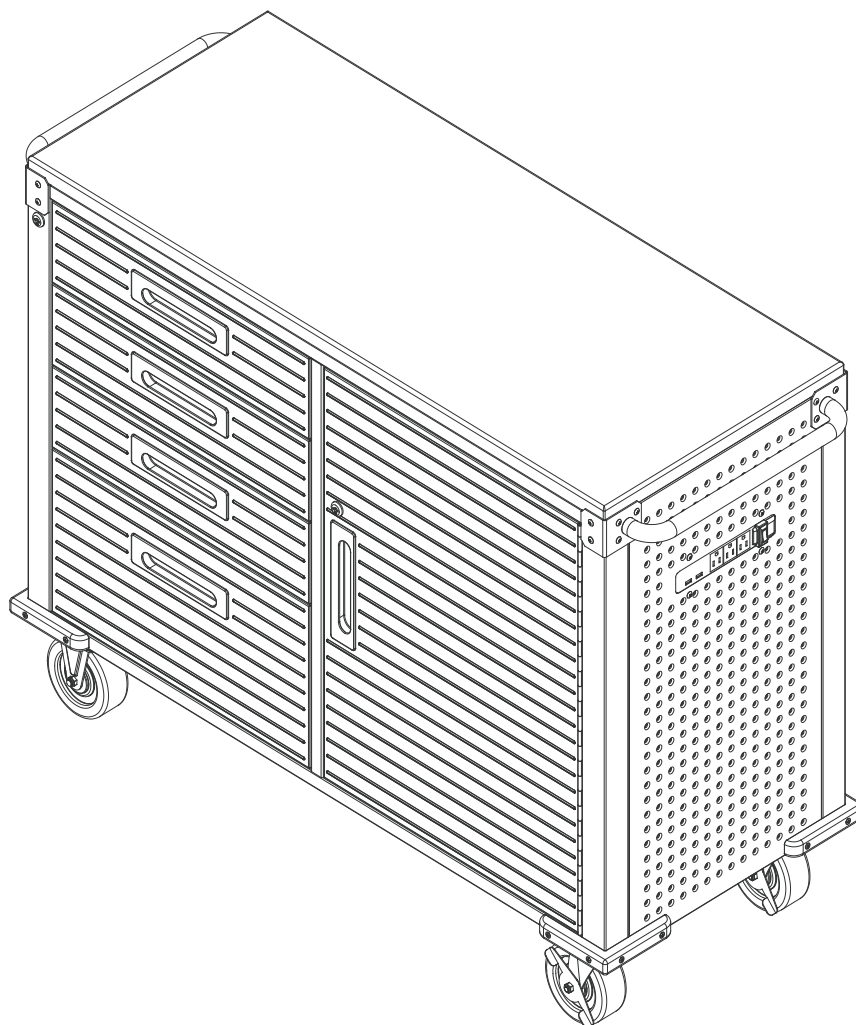
## Lock set

a new lock with 2 keys

**20108J** 48" L x 20" P x 37,5" H

# Établi à roulettes

Guide d'utilisation



**SI DES PIÈCES SONT MANQUANTES OU  
ENDOMMAGÉES, OU POUR TOUTES  
QUESTIONS, VEUILLEZ COMPOSER LE  
1-866-221-8146.**

**service@SalmonBoy.ca**



Veillez lire attentivement ce guide d'utilisation avant d'utiliser ce produit. Il contient des consignes importantes relatives à votre sécurité ainsi que des conseils d'utilisation et d'entretien.

Conservez ce guide d'utilisation pour consultation ultérieure. Dans l'éventualité où ce produit est cédé à un tiers, veuillez également leur remettre ce guide.

  
**BLACKCOMB**

Établi à roulettes 20108J

# TABLE DES MATIÈRES 2



SPÉCIFICATIONS TECHNIQUES	3
CONSIGNES DE SÉCURITÉ	4
VUE D'ENSEMBLE	5–6
LISTE DES PIÈCES	7–10
INSTRUCTIONS D'INSTALLATION	8–17
GARANTIE	18
PIÈCES DE RECHANGE ET SUPPLÉMENTAIRES	19



# 3 SPÉCIFICATIONS TECHNIQUES

<b>Composante</b>	<b>Charge maximale</b>
Planche en bois massif	300 lb (136 kg)
Tiroir et tablette	30 lb (13,5 kg)

**REMARQUE :** la charge maximale de cette unité est de 500 lb (226,7 kg)

# CONSIGNES DE SÉCURITÉ 4



## Directives de sécurité

Ce guide contient des renseignements importants relatifs à la protection de la sécurité personnelle et la prévention des problèmes d'équipement. Il est très important de lire ce guide attentivement et de bien assimiler les directives avant d'assembler et d'utiliser ce produit. Veuillez notamment porter attention aux symboles et renseignements suivants.



### **Attention!**

**Danger potentiel pouvant entraîner des blessures modérées ou endommager le produit.**

**Important - Le mot « important » est utilisé dans le texte pour informer le lecteur de ce que l'utilisateur doit savoir à propos de cet outil.**

## RECOMMANDATIONS RELATIVES À LA SÉCURITÉ

Ces mesures de sécurité visent la sécurité personnelle de l'utilisateur et de toute autre personne utilisant ce produit. Le non-respect de ces instructions peut entraîner des blessures graves, voire fatales, des dommages à la propriété et/ou des dommages à l'équipement. Veuillez prendre le temps de lire et de bien comprendre ces instructions.

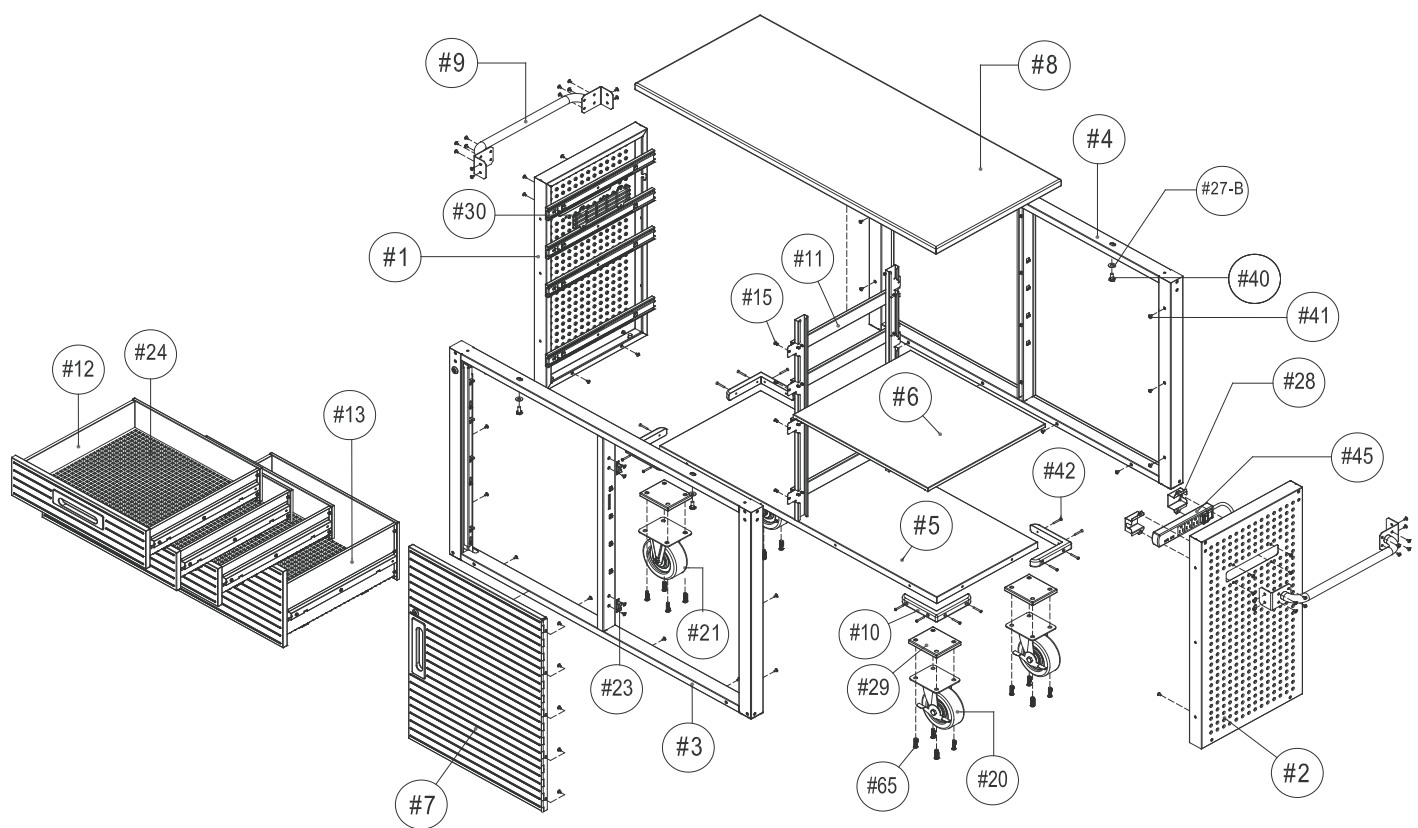


### **Attention!**

**Danger potentiel pouvant entraîner des blessures modérées ou endommager le produit.**

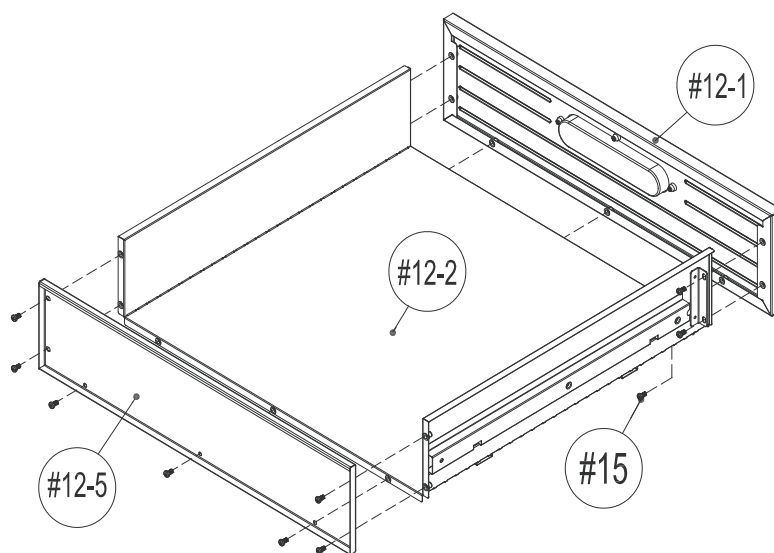
- Installez ce cabinet sur une surface plane.
- Ce produit est prévu uniquement pour un usage à l'intérieur.
- Utilisez un linge doux humide pour nettoyer ce cabinet.
- Veuillez ne pas grimper sur ce cabinet, ni l'utiliser comme échafaudage.
- Veuillez ne pas excéder la charge maximale prévue pour ce produit.
- L'assemblage et l'entretien de ce produit doivent être effectués par un adulte.
- Assurez-vous d'avoir suffisamment de main-d'œuvre lors de l'assemblage et du déplacement de ce cabinet.
- Vérifiez régulièrement l'état des vis de ce produit et resserrez-les au besoin.

# 5 VUE D'ENSEMBLE

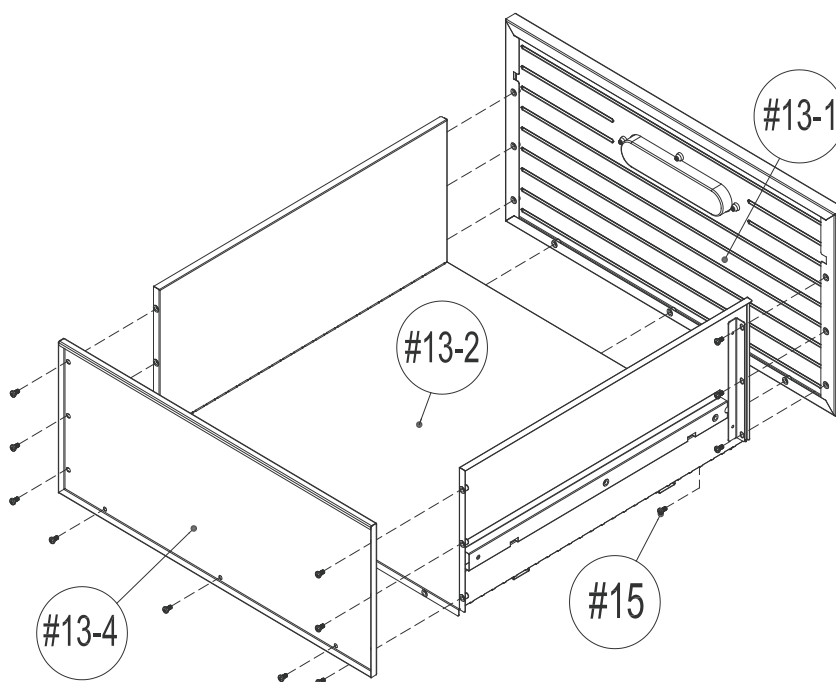


# VUE D'ENSEMBLE 6

(#12) Assemblage de petit tiroir

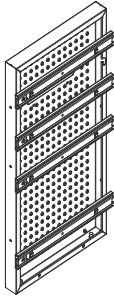
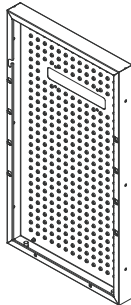
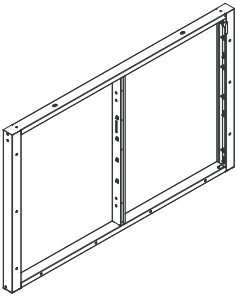
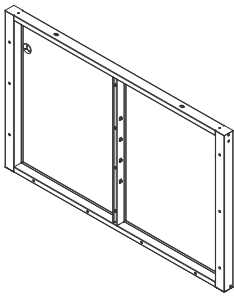
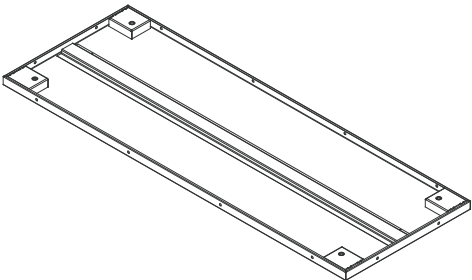
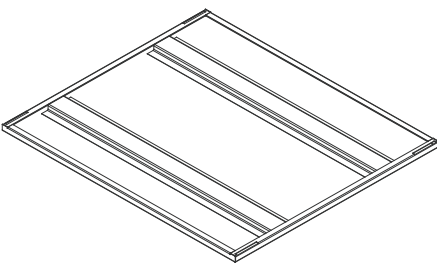
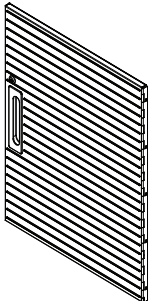
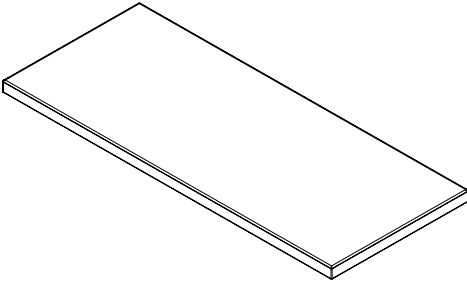


(#13) Ensemble de grands tiroirs



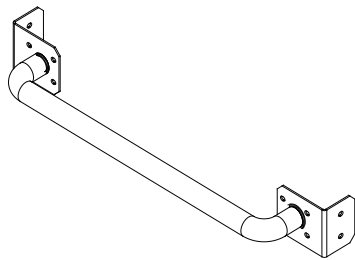
# 7 LISTE DES PIÈCES

Veillez vérifier attentivement les pièces selon la liste des pièces. S'il vous manque des pièces, n'hésitez pas à communiquer avec notre service client. (Veillez consulter la page 19)

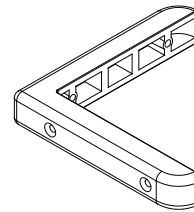
 <p>(#1) PANNEAU GAUCHE x 1 PC</p>	 <p>(#2) PANNEAU DROIT x 1 PC</p>
 <p>(#3) CADRE AVANT x 1 PC</p>	 <p>(#4) CADRE ARRIÈRE x 1 PC</p>
 <p>(#5) PANNEAU DE BASE x 1 PC</p>	 <p>(#6) TABLETTE x 1 PC</p>
 <p>(#7) PORTE x 1 PC</p>	 <p>(#8) PLANCHE DE BOIS DUR MASSIF x 1 PC</p>

# LISTE DES PIÈCES 8

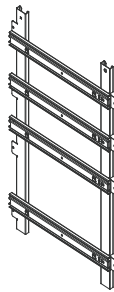
Veillez vérifier attentivement les pièces selon la liste des pièces. S'il vous manque des pièces, n'hésitez pas à communiquer avec notre service client. (Veillez consulter la page 19)



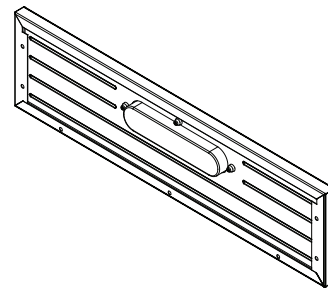
(#9) BARRE DE POUSSÉE x 2 PCS



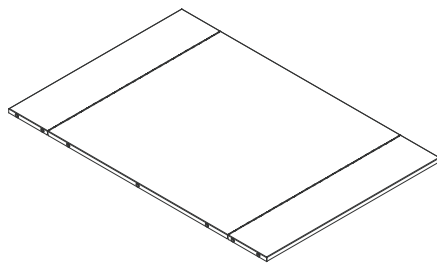
(#10) PARE-CHOCS x 4 PCS



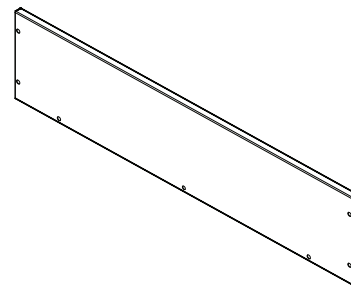
(#11) SUPPORT DE GLISSIÈRE DE TIROIR DROIT x 1 PC



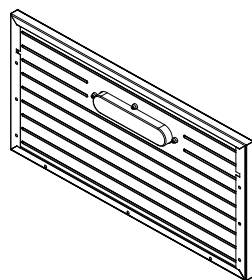
(#12-1) PETIT TIROIR AVANT x 3 PCS



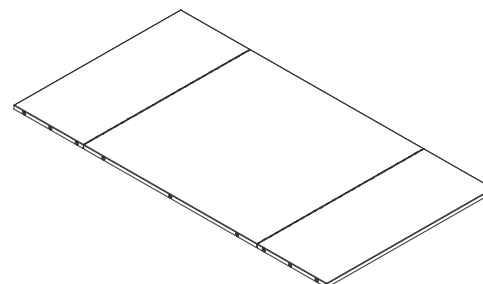
(#12-2) PETIT PANNEAU INFÉRIEUR DE TIROIR x 3 PCS



(#12-5) PETIT PANNEAU ARRIÈRE DE TIROIR x 3 PCS



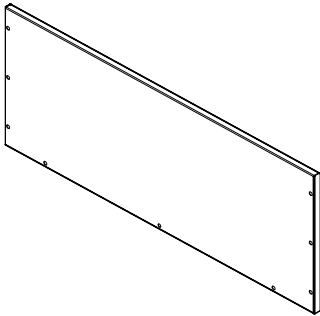
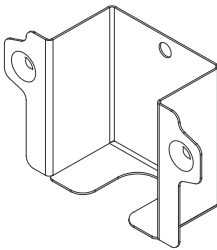
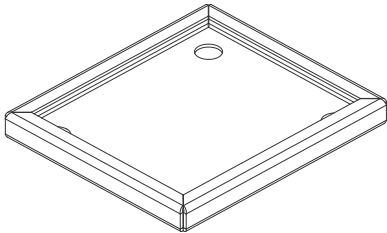
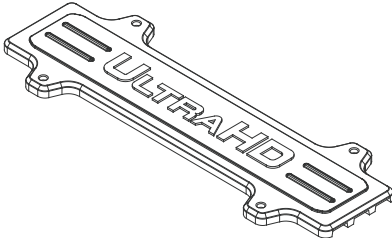
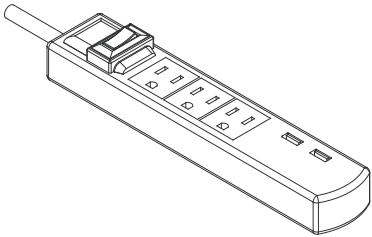
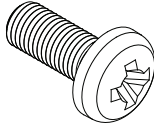
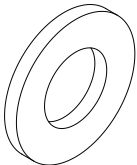
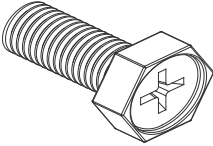
(#13-1) GRAND PANNEAU AVANT DE TIROIR x 1 PC



(#13-2) GRAND PANNEAU INFÉRIEUR DE TIROIR x 1 PC

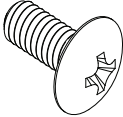
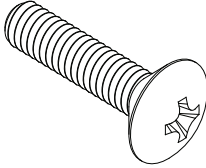
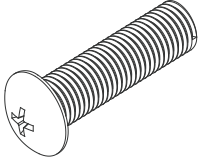
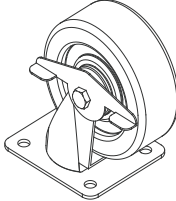

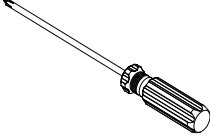
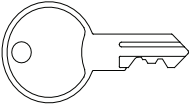
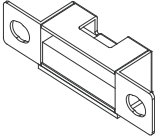
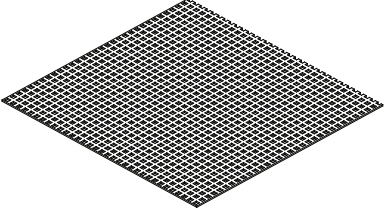
# 9 LISTE DES PIÈCES

Veillez vérifier attentivement les pièces selon la liste des pièces. S'il vous manque des pièces, n'hésitez pas à communiquer avec notre service client. (Veillez consulter la page 19)

 <p>(#13-4) GRAND PANNEAU ARRIÈRE DE TIROIR x 1 PC</p>	 <p>(#28) DOUILLE SIÈGE FIXE x 2PCS</p>
 <p>(#29) COUSSIN DE SIÈGE À ROULETTE x 4 PCS</p>	 <p>(#30) SIDE PANEL LOGO TRIM x 1PC</p>
 <p>(#45) PRISE USB MULTIPLE – OUTLET x 1 PC</p>	 <p>(#15) VIS B (M4 x 8L) x 84 PCS</p>
 <p>(#27-B) RONDELLE (M8) x 4 PCS</p>	 <p>(#40) BOULON E (M8 x 18) x 4 PCS</p>

# LISTE DES PIÈCES 10

Veillez vérifier attentivement les pièces selon la liste des pièces. S'il vous manque des pièces, n'hésitez pas à communiquer avec notre service client. (Veillez consulter la page 19)

 <p>(#41) VIS F (M4 x 8) x 65 PCS</p>	 <p>(#42) VIS G (M4 x 30) x 16 PCS</p>
 <p>(#65) VIS P (M8 x 30) x 16 PCS</p>	 <p>(#20) ROUE PIVOTANTE AVEC FREIN x 2 PCS</p>
 <p>(#21) ROUE FIXE SANS FREIN x 2 PCS</p>	 <p>(#26) TOURNEVIS x 1 PC</p>
 <p>(#22) CLÉS DE PORTE x 4PCS (à fixer sur les panneaux de porte)</p>	 <p>(#23) Aimant x 2 PCS</p>
 <p>(#24) TAPIS DE TIROIR x 4PCS</p>	

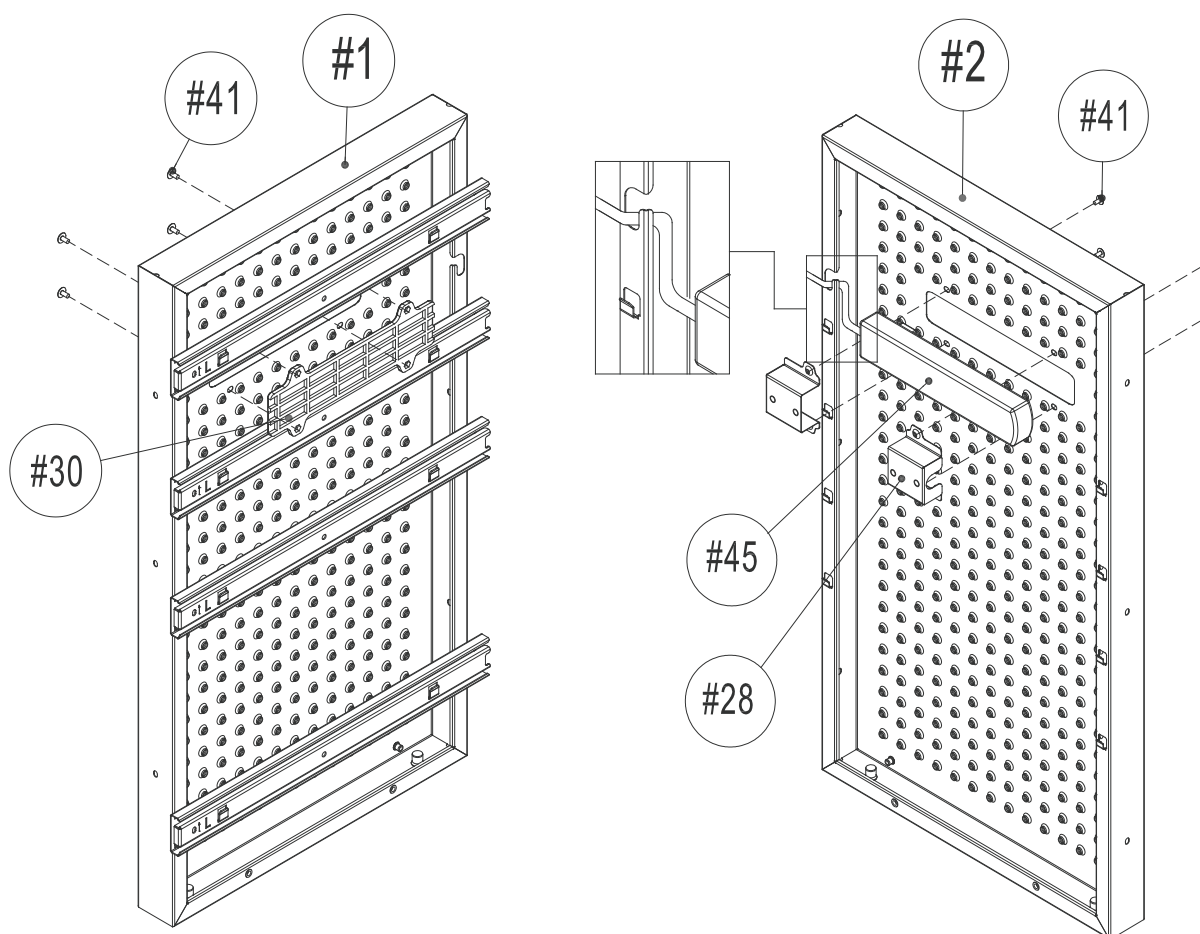
# 11 INSTRUCTIONS D'INSTALLATION



NOTE : Nous recommandons d'avoir DEUX personnes pour assembler l'armoire.



## Installer la garniture du logo du panneau latéral (n° 30) et la prise multiple USB (n° 45)



1. Fixez la prise multiple USB (#45) sur le panneau latéral, qui peut être assemblée sur (#1) le panneau latéral gauche ou (#2) le panneau latéral droit selon la demande de l'utilisateur.
2. Fixez la prise multiple sur le panneau latéral, utilisez 2 pièces (#28) de siège fixe de prise et 4 pièces (#41) de vis F pour l'installation, placez le câble de la prise multiple dans la fente du fil du panneau latéral, comme indiqué sur l'image B.
3. Installez la garniture du logo du panneau latéral (#30), comme indiqué sur l'image A, utilisez 4 vis (#41) F pour serrer sur le panneau latéral.

# INSTRUCTIONS D'INSTALLATION 12

## AVANT DE COMMENCER

- Assemblez l'armoire sur une surface propre et plane.
- Retirez toutes les protections de l'emballage et assurez-vous que toutes les pièces répertoriées à la page 2 sont disponibles.
- Lors de l'installation de pièces qui ont plus d'une vis, serrez toutes les vis à la main avant de les serrer avec le tournevis fourni.
- L'emballage contient une construction de produit mise à jour conçue pour faciliter le transport tout en maintenant une structure rigide.

**ASTUCE:** Un tournevis magnétique est inclus. Si vous utilisez un tournevis électrique, utilisez un réglage de couple faible.

**ATTENTION:** Il est recommandé de porter des gants lors du montage, car certaines pièces peuvent avoir des rebords.

## INSTRUCTIONS DE MONTAGE

### 1. Installer le cadre arrière (n° 4)

Retirez la planche de bois dur massif (#8) et le cadre arrière (#4) de l'emballage. Placez le cadre arrière (#4) sur la planche de bois dur massif (#8) comme indiqué sur le schéma. Ensuite, enlevez 2 rondelles (#27-B) et 2 vis E (#40). À l'aide du tournevis (#26), fixez solidement le cadre arrière à la planche de bois dur massif.

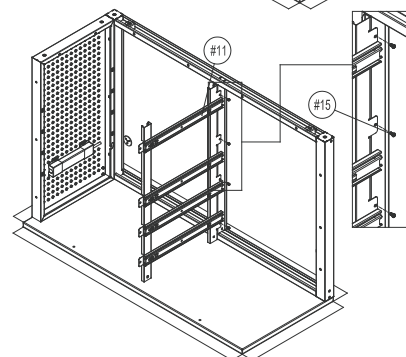
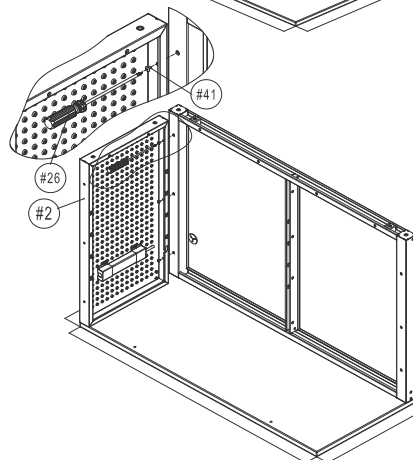
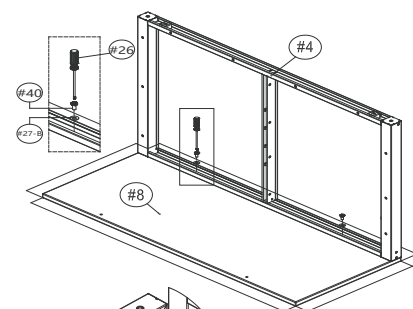
**Remarque :** Étape 1 à Étape 5, ne serrez pas complètement les vis.

### 2. Installez le panneau latéral droit (n° 2).

Fixez le panneau latéral droit (#2) à la planche de bois dur massif tel qu'illustré sur le schéma. Utilisez 3 vis F (#41) pour le fixer au cadre arrière.

### 3. Installez (n° 11) le support coulissant du tiroir droit

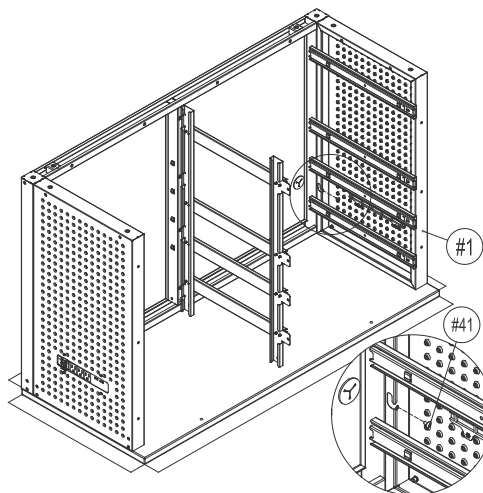
Fixez le support coulissant du tiroir droit (#11) à la planche de bois dur massif tel qu'illustré sur le schéma. Assurez-vous de l'aligner selon la direction dans laquelle s'étend le rail coulissant. Utilisez 4 vis B (#15) pour le fixer au cadre arrière.



# 13 INSTRUCTIONS D'INSTALLATION

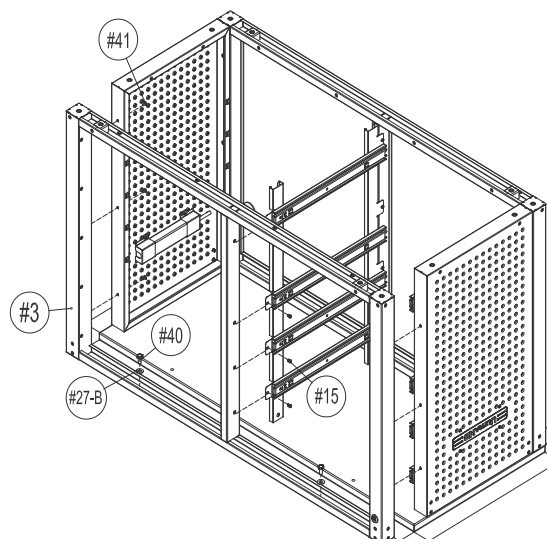
## 4. Installez le panneau latéral gauche (n° 1)

Répétez l'étape 2 : fixez le panneau latéral gauche (n° 1) à la planche de bois dur massif. Utilisez 3 vis F (#41) pour le fixer au cadre arrière.



## 5. Installez le cadre avant (#3)

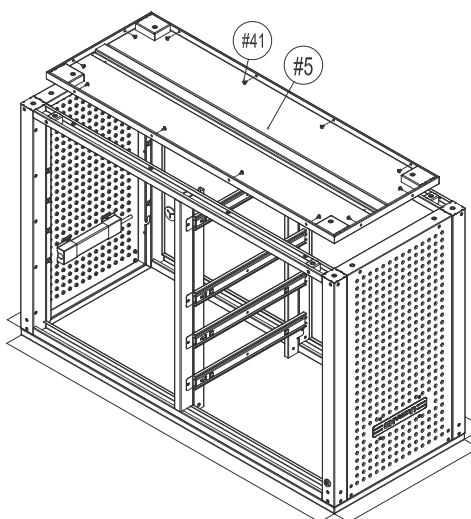
Fixez le cadre avant (#3) à la planche de bois franc massif tel qu'illustré sur le schéma. Utilisez 6 vis F (#41) pour le fixer aux panneaux latéraux gauche et droit. Ensuite, utilisez 4 vis B (#15) pour le fixer au support coulissant du tiroir droit (#11). Finalement, utilisez 2 rondelles (#27-B) et 2 vis E (#40) pour fixer le cadre avant à la planche de bois dur massif.



**Remarque :** assurez-vous que toutes les vis sont bien serrées. Assurez-vous que les bords de tous les composants sont bien alignés avant de les fixer.

## 6. Installez le panneau de base (n° 5)

Fixez le panneau de base (#5) au support coulissant du tiroir droit tel qu'illustré dans le schéma. Utilisez 12 vis F (#41) pour fixer le panneau de base aux panneaux latéraux gauche et droit, au cadre arrière et au cadre avant.



# INSTRUCTIONS D'INSTALLATION 14

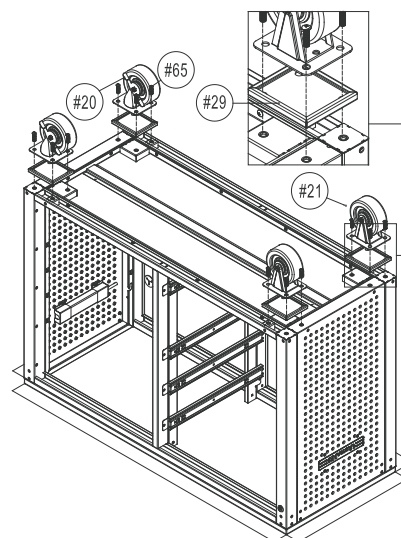
## 7. Installez (#29) le coussin de siège à roulettes et les roues (#20 et #21)

Fixez 4 coussins de siège à roulettes (#29) et 4 roues — 2 roues pivotantes avec freins (#20) et 2 roues fixes sans freins (#21) — au cadre tel qu'illustré dans le schéma.

Utilisez 16 vis P (#65) pour fixer solidement les coussins de siège et les roues.

Assurez-vous que les deux roues fixes (#21) sont installées à la même extrémité (côté droit ou gauche) de l'établi et que les deux roues pivotantes avec freins (#20) sont installées à l'extrémité opposée.

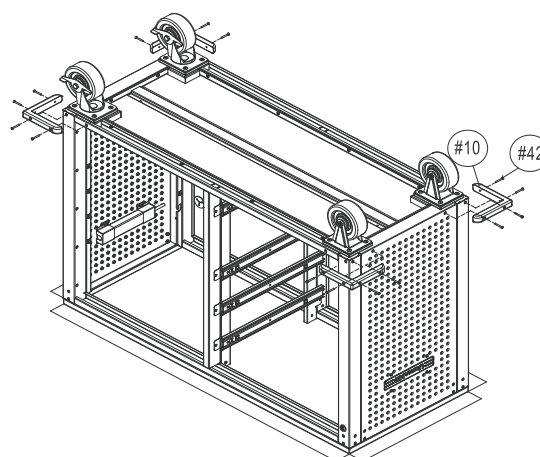
**Remarque :** Le sens d'ouverture des coussins de siège à roulettes (#29) doit être orienté vers le haut, comme indiqué par la flèche sur le schéma.



## 8. Install the Bumpers (#10)

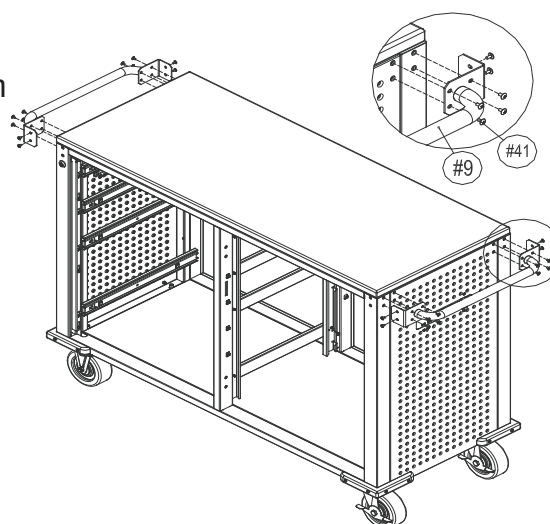
Étape 8. Installer les pare-chocs (#10),  
Installez 4 pare-chocs (#10) aux quatre coins de l'armoire tel qu'illustré sur le schéma. Utilisez 16 vis G (#42) et un tournevis pour les fixer solidement.

**Remarque :** lors de l'installation des pare-chocs, serrez les vis jusqu'à ce qu'elles soient légèrement en retrait sous la surface des protections d'angle en caoutchouc. Ne serrez pas trop fort, car ça pourrait endommager les pare-chocs.



## 9. Installez (#9) le guidon

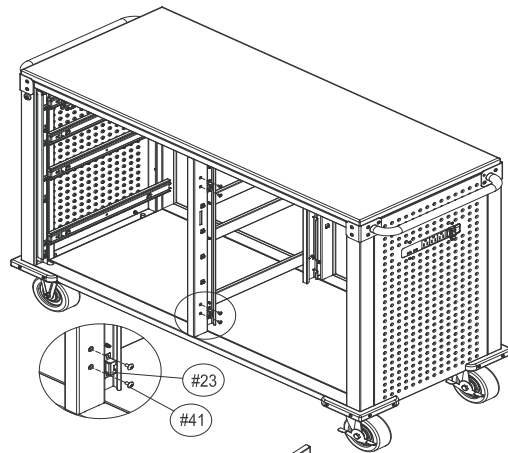
Installez 2 poignées (#9) de chaque côté de l'armoire.  
Utilisez 24 vis F (#41) pour les fixer solidement.



# 15 INSTRUCTIONS D'INSTALLATION

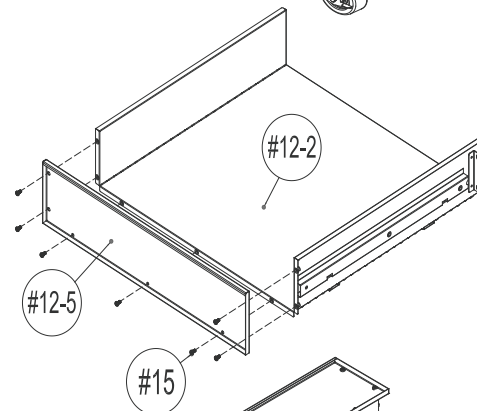
## 10. Installez (#23) les aimants

Installez 2 aimants (#23) sur le côté droit de la colonne centrale du cadre avant, comme illustré ci-dessus. Utilisez 4 vis F (#41) pour les fixer solidement.



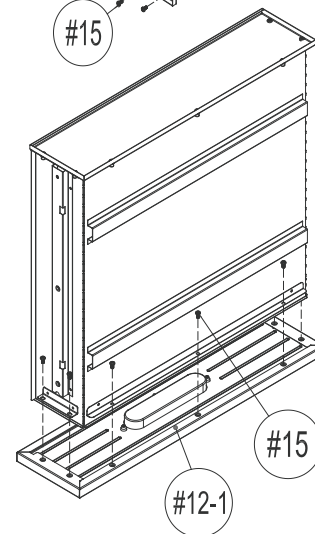
## 11. Installez (#12-2) la base du petit tiroir et (#12-5) les panneaux arrière du petit tiroir.

- A. Fold the left and right sides of the small drawer base (#12-2) as shown in the diagram.
- B. Attach the small drawer back panel (#12-5) to the small drawer base. Use 7 screws B (#15) to secure it.



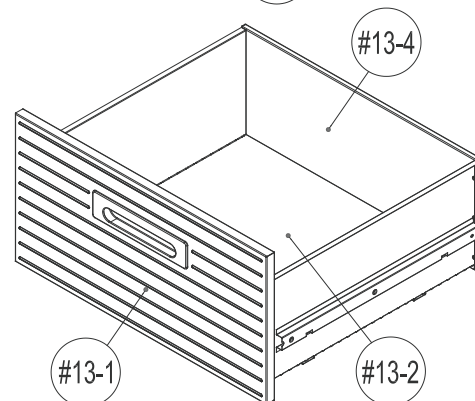
## 12. Installer le panneau avant du petit tiroir (n° 12-1)

Installez la petite base du tiroir (#12-2) sur le panneau du tiroir central (#12-1) de haut en bas, tel qu'illustré dans le schéma. Utilisez 7 vis B (#15) pour le fixer. Répétez ces étapes pour assembler les deux autres petits tiroirs (#12).

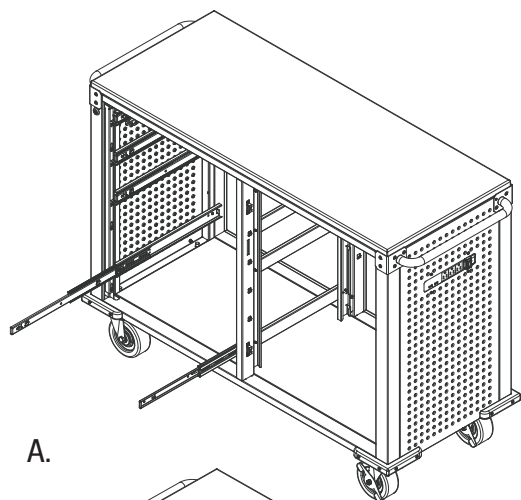


## 13. Installer le grand tiroir (n° 13)

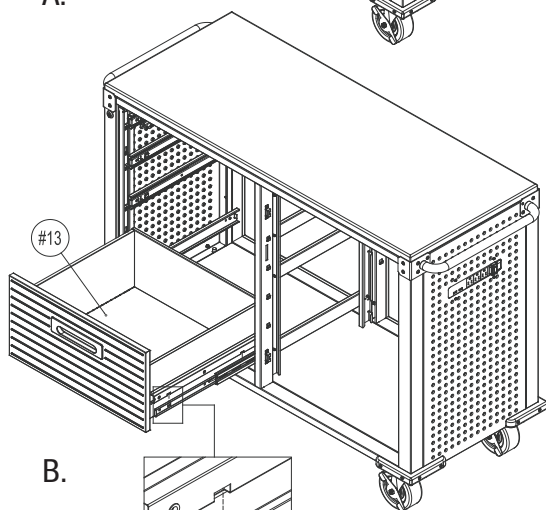
En suivant les étapes 11 et 12, assemblez le panneau avant du grand tiroir (#13-1), la base du grand tiroir (#13-2) et le panneau arrière du grand tiroir (#13-4). Utilisez 18 vis B (#15) pour fixer solidement ces pièces ensemble.



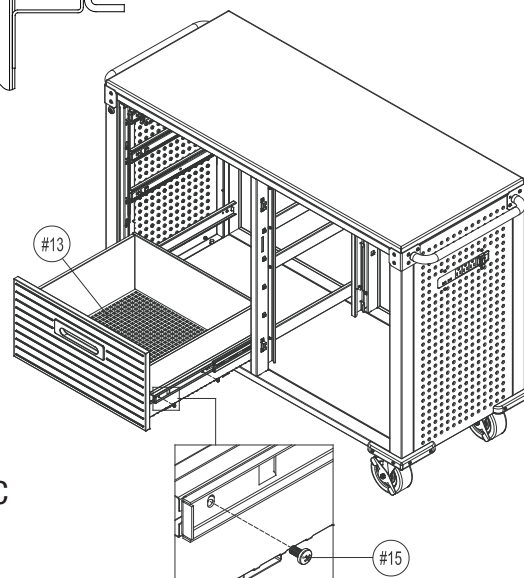
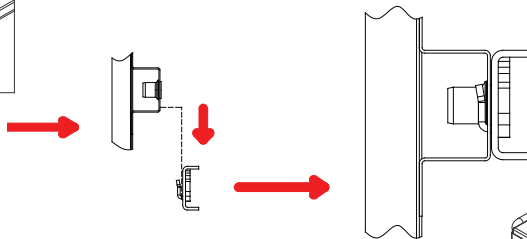
# INSTRUCTIONS D'INSTALLATION 16



A.



B.



C

## 14. Placer les tiroirs

A. Déployez complètement les glissières du tiroir. Alignez les trous carrés sur les panneaux latéraux du tiroir avec les curseurs et accrochez soigneusement le tiroir sur les curseurs, tel qu'illustré dans le schéma.

B. Utilisez 4 vis B (#15) pour fixer solidement les glissières du tiroir.

C. Répétez l'étape 14 pour installer les trois petits tiroirs restants (#12).

D. Placez un tapis de tiroir (#24) dans chaque tiroir.

**Remarque :** si les espaces entre les tiroirs semblent inégaux après l'installation, vous pouvez les ajuster en desserrant les vis sur les rails intérieurs des tiroirs. Déplacez délicatement le tiroir vers le haut ou vers le bas selon vos besoins, puis resserrez les vis pour sécuriser l'alignement.

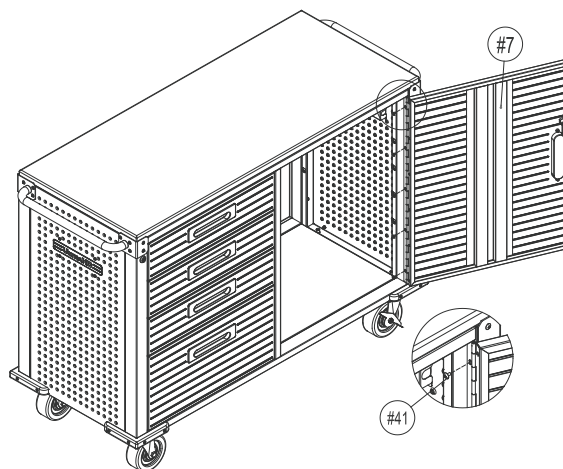
**Remarque :** comme indiqué sur l'image C, les espaces entre les tiroirs peuvent être ajustés avec précision à l'aide des trous ovales situés sur le panneau avant et les rails latéraux.

# 17 INSTRUCTIONS D'INSTALLATION

## 15. Installer la porte (#7)

Fixez le panneau de porte (#7) au cadre avant.  
Utilisez 5 vis F (#41) pour le fixer solidement en place.

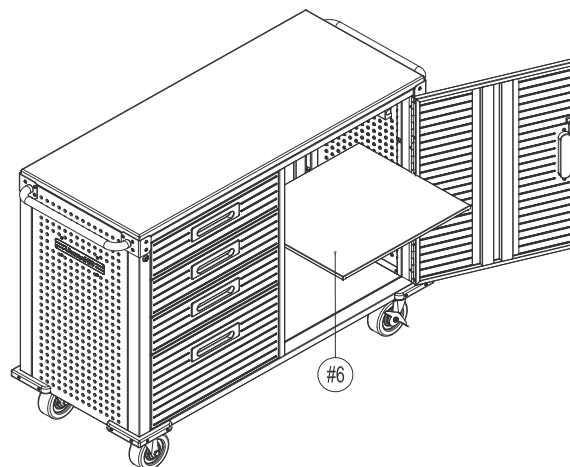
**Remarque :** les trous ovales sur les charnières de la porte permettent des ajustements mineurs de la hauteur, ce qui permet de centrer et d'aligner correctement la porte dans le cadre de la porte.



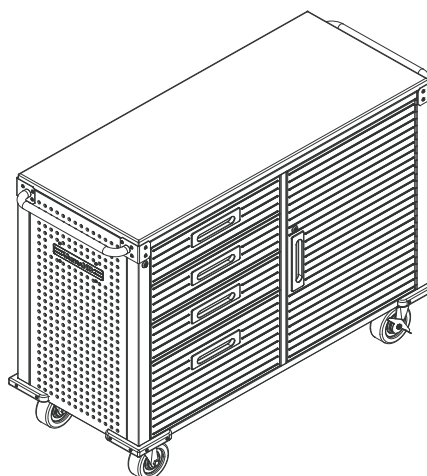
## 16. Installer la tablette (#6)

Placez la tablette (#6) dans l'unité à la hauteur souhaitée. Assurez-vous que les quatre coins sont bien fixés aux crochets avant et arrière.

**Remarque :** La hauteur de l'étagère est ajustable et peut être modifiée en la repositionnant sur les crochets à l'intérieur de l'armoire.



**Assemblage terminé.**



# GARANTIE 18



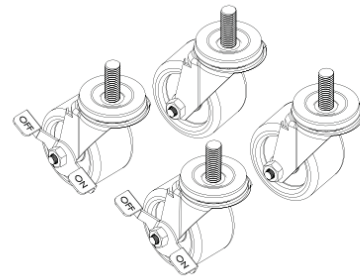
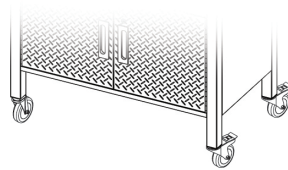
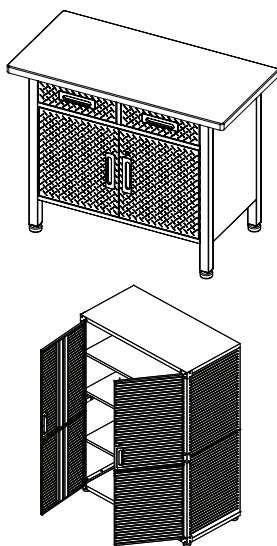
Ce produit BLACKCOMB® comprend une garantie limitée d'un an contre les défauts de fabrication et de matériaux. Sujet aux conditions et aux limitations énumérées ici-bas, ce produit, s'il nous est retourné accompagné d'une preuve d'achat à l'intérieur des délais spécifiés sous la garantie et si couvert par ladite garantie, sera réparé ou remplacé (avec un modèle identique ou un modèle de qualité ou valeur comparable) à notre discrétion. Nous assumerons les coûts de réparation ou de remplacement du produit ainsi que les coûts de main-d'œuvre y afférents.

## **Cette garantie est sujette aux conditions et aux limitations suivantes :**

- a. Une preuve d'achat indiquant la date d'achat doit être fournie.
- b. La présente garantie ne s'applique pas aux produits ou aux pièces de produit usés ou endommagés ou rendus non-opérationnels en raison d'un usage abusif ou inapproprié, de dommages accidentels, de négligence ou en raison d'une installation, d'une utilisation ou d'un entretien inappropriés (tel que spécifié dans le guide d'utilisation ou le guide d'opération applicables), ou d'un usage industriel, professionnel, commercial ou à des fins de location.
- c. La présente garantie ne s'applique pas à l'usage normal ou aux pièces ou accessoires consommables pouvant être fournis avec ce produit et dont l'usage est prévu être inopérant ou inutilisable suivant une période raisonnable d'utilisation.
- d. La présente garantie ne s'applique pas aux dommages causés suite à des réparations complètes ou partielles effectuées par des tiers (i.e. personnes non autorisées par le fabricant).
- e. La présente garantie ne s'applique pas aux produits vendus à l'acheteur original à titre de produits remis à neuf (sauf mention contraire indiquée par écrit).
- f. La présente garantie ne s'applique pas aux produits ou pièces de ces produits si lesdits produits ou pièces contiennent des parties provenant d'un autre fabricant ou si des modifications ou des réparations complètes ou partielles ont été effectuées par un tiers non autorisé.
- g. La présente garantie ne s'applique pas à la détérioration normale du fini extérieur, y compris (mais sans limitations) les éraflures, les bosses, les éclats de peinture, ou toute corrosion ou décoloration causées par la chaleur, ou l'utilisation de nettoyants abrasifs et chimiques.
- h. La présente garantie ne s'applique qu'à l'acheteur d'origine et ne peut être transférée. Ni le détaillant, ni le fabricant ne seront tenus responsables en cas de dépense, perte, dommage, y compris et sans limitations, toute perte indirecte, dommage consécutif ou dommage punitif liés à la vente, l'utilisation ou l'impossibilité d'utiliser ce produit.

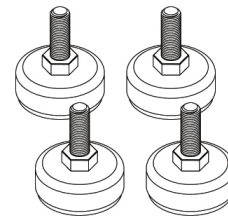
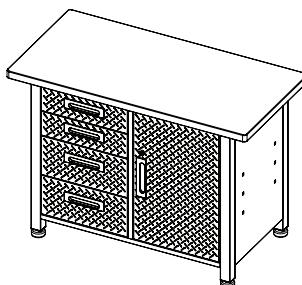
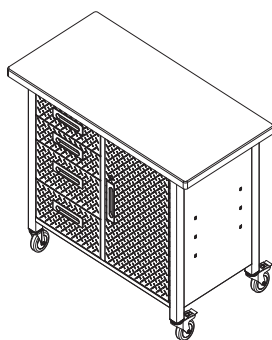
# 19 PIÈCES DE RECHANGE ET ADDITIONNELLES

Salmon Boy Ltd. est fier de fournir des pièces de rechange et des pièces additionnelles pour vos armoires et établis BLACKCOMB. N'hésitez pas à nous contacter pour commander ces pièces ou pour toutes questions au [Service@SalmonBoy.ca](mailto:Service@SalmonBoy.ca), 1-866-221-8146.



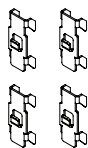
## M14 Module de roulettes

Ensemble de quatre roulettes pivotantes (deux munies de freins) pour armoires/établis 20248J, 16241J, 68-6364, 68-6365, 68-1221, 68-0667.



## M12 Pattes ajustables

Ensemble de quatre pattes ajustables pour établis 68-1224.



## Étagères supplémentaires

Étagères munies de quatre crochets (si requis) pour armoires/établis 20248J, 20209J, 16236J, 16241J, 20205J, 68-0558, 68-1224, 68-1226, 68-6364, 68-6365, 68-6366, 68-1221, ou 68-0667.



## Serrure

Nouvelle serrure comprenant deux clés.