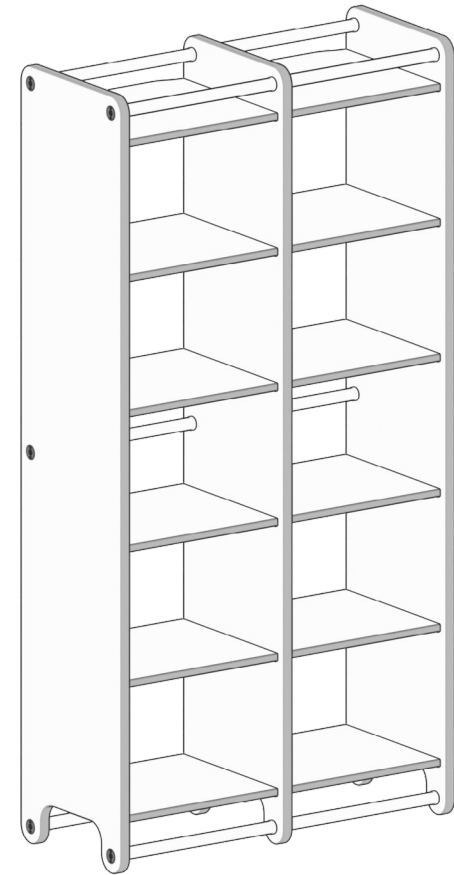


Lev II



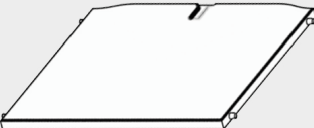
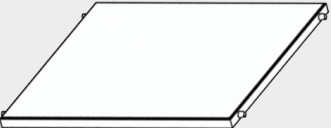

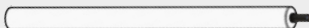





demontha

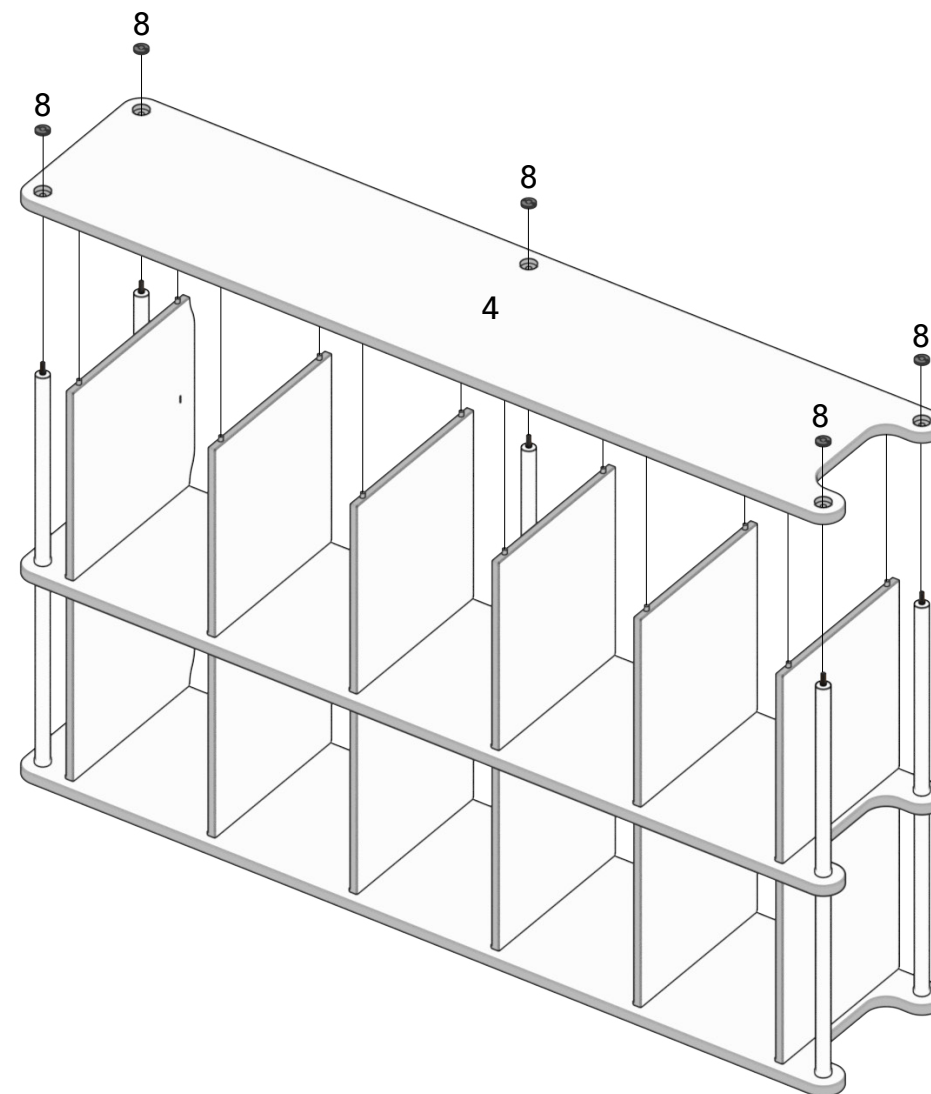
In order for warranty conditions to be valid, please follow the instructions on the manual. For an easy and efficient assembly, we recommend placing all the parts on a flat surface and reading the manual carefully. Once placed, match all the parts with the instruction manual. Feel free to contact us through destek@demontha.com.tr for all your queries.

Part List ↘

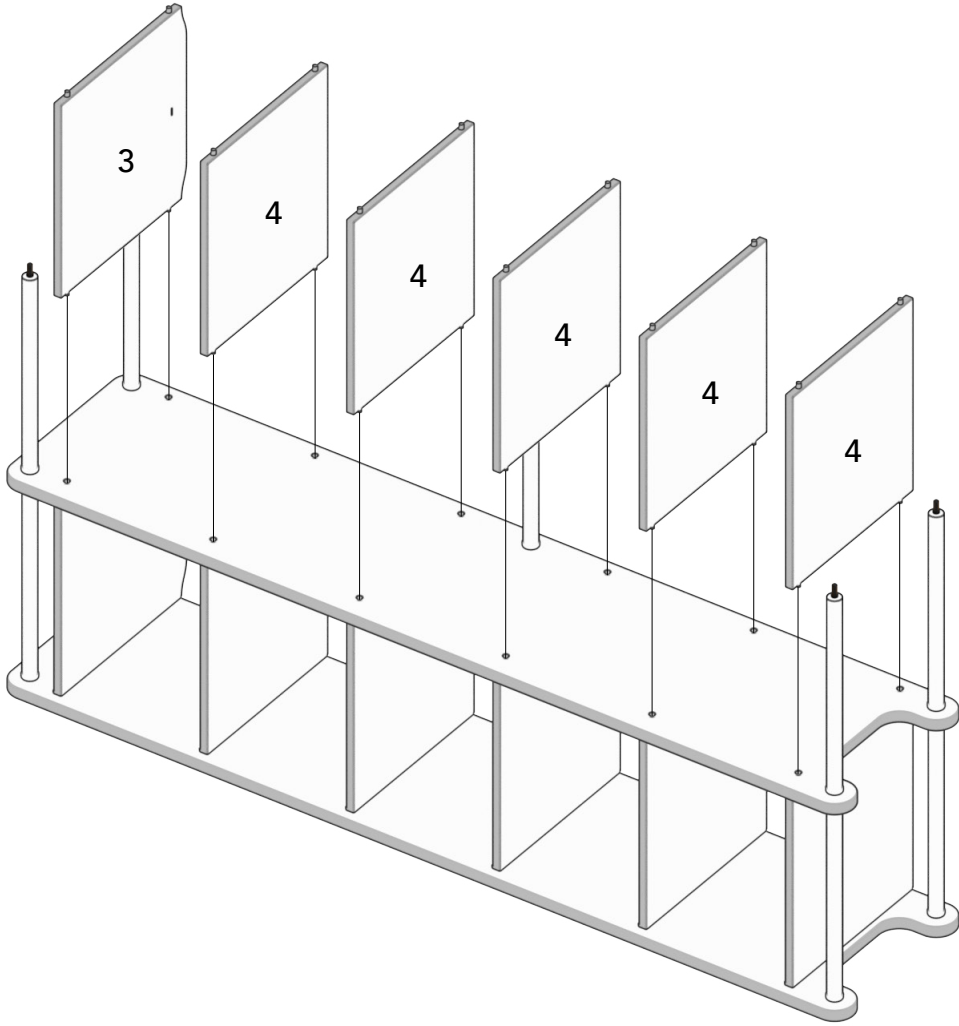
Part No **1** Piece **x1**

1		x1
2		x5
3		x2
4		x10
5		x1
6		x5
7		x1
8		x5
9		x1

Step 7 ↘



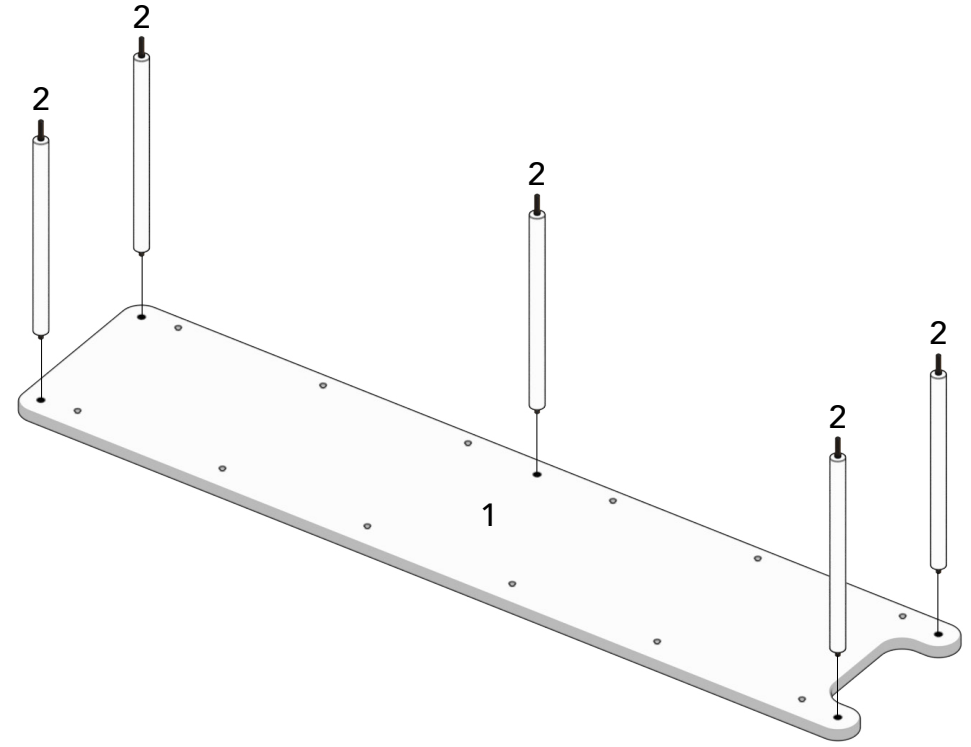
Step 6 ↘



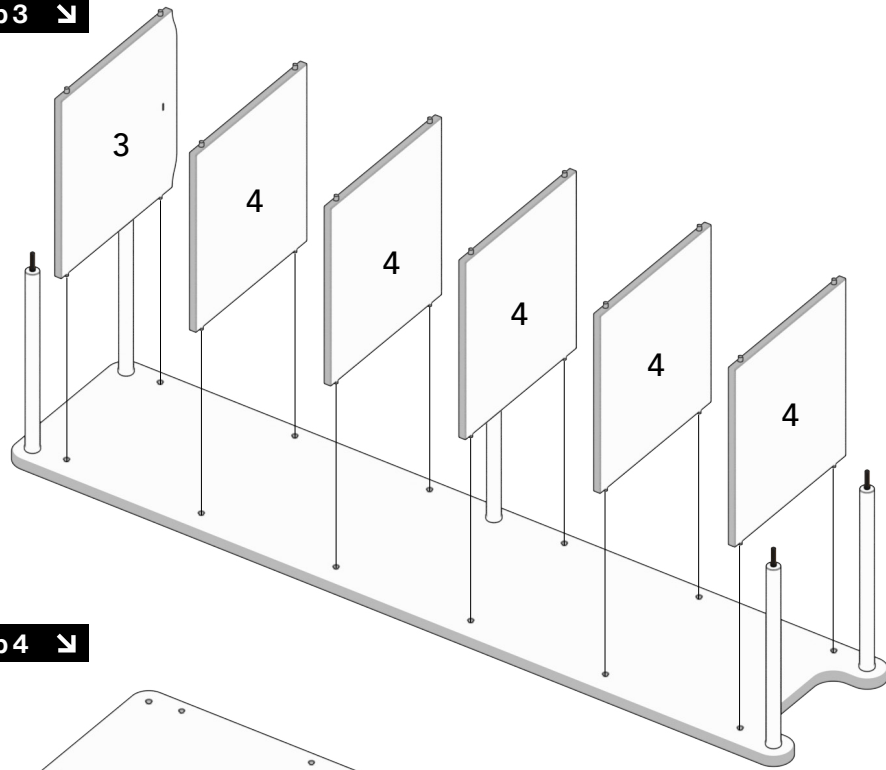
Step 1 ↘ Remove the protective caps before assembly.



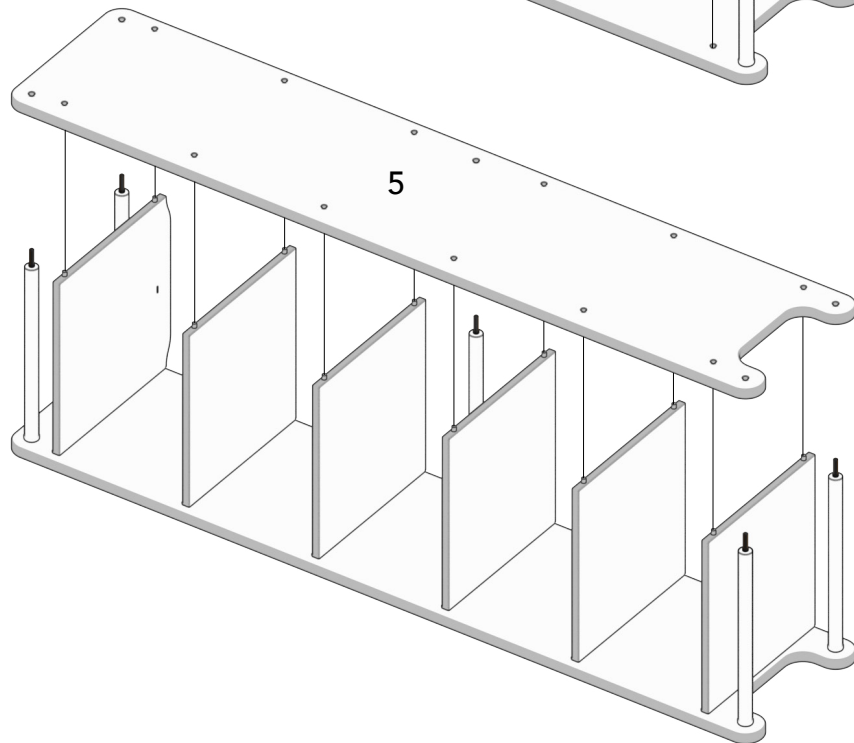
Step 2 ↘



Step 3 ↘



Step 4 ↘



Step 5 ↘

