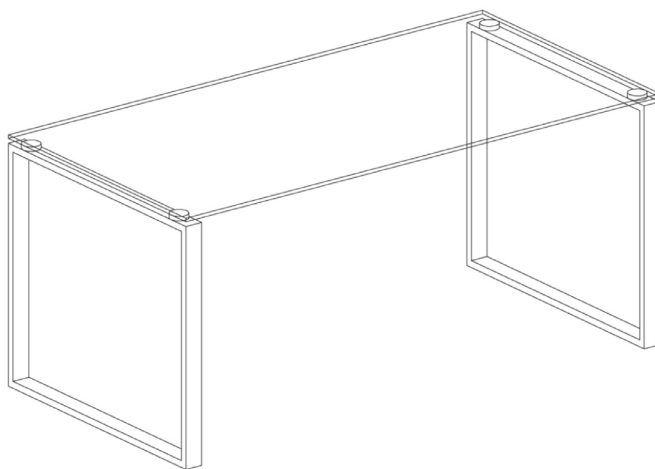


COFFEE TABLE

ASSEMBLY GUIDE



Important - Please read these instructions fully before starting assembly



**SAFETY AND
CARE ADVICE**



NO POWER TOOLS

SAFETY AND CARE ADVICE

- Check you have all the components and tools listed.
- Remove all fittings from the plastic bags and separate them into their groups.
- We do not recommend the use of power drills/drivers for inserting screws, as this could damage the unit. Only use hand screwdrivers and Allen keys.
- Keep children and animals away from the work area, small parts could cause choking if swallowed.
- Make sure you have enough space to layout the parts before starting.
- Assemble the item as close to its final position (in the same room) as possible.
- Do not overtighten the nuts to avoid causing damage to the threads.
- Only clean using a damp cloth and mild detergent, do not use bleach or abrasive cleaners.
- From time to time check that there are no loose screws on this unit
- This product should not be discarded with household waste. Take to your local authority waste disposal centre

IMPORTANT INFORMATION



30 MINUTE
BUILD



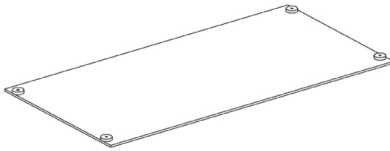
TWO
PERSON



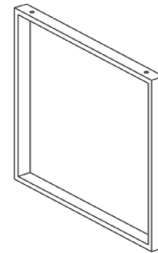
MAXIMUM
CAPACITY 100Kg

PLEASE CHECK CAREFULLY AND MAKE SURE YOU HAVE ALL FITTINGS AND TOOLS LISTED BELOW BEFORE YOU START.

1 x1 Table Top



2 x2 Table Legs



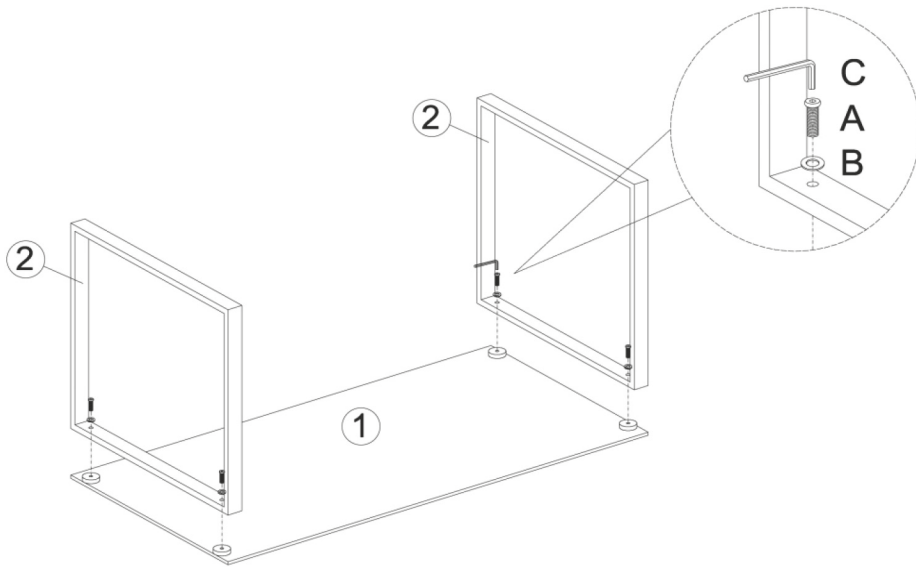
<p>A</p>  <p>M8*20mm</p> <p>SCREWS x4</p>	<p>B</p>  <p>M8</p> <p>WASHERS x4</p>	<p>C</p>  <p>M5</p> <p>ALLEN KEY x1</p>
--	--	--

NOTE: The quantities above are the correct amount to complete the assembly. In some cases more fittings may be supplied than are required.

STEP 1

Use a clear, flat, soft surface to avoid bumps or scratches.

Lay table top [1] on floor, with metal discs facing up. Attach legs [2] to metal discs on table top, using 1 x washer [B] followed by 1 x screw [A]. Tighten with Allen key [C]



FULL ASSEMBLY INSTRUCTIONS

STEP 2

ATTENTION: Carefully, and with help, flip your table correct side up, so it sits on its legs. Check stability. Your coffee table is now ready to use.

