

Parts List

No.	Parts No.	Name	Material	Quantity	Specifications
1	BGS08011	Floor	HDPE	1	1160x600x32
2	BGS08012	back panel	HDPE	1	1160x550x70
3	BGS08021	front panel	HDPE	1	1160*550*70
4	BGS08013	Left side panel	HDPE	1	530*550*29
5	BGS08014	Right side panel	HDPE	1	530*550*29
6	BGS08015	Roof	HDPE	1	1160x600x49
7	GS0201014	Hinge assembly	Plastic	2	70x38x25
8	GS0201028	Strengthen the block	Metal	4	58x18x1.2
9	BGS08016	Support rod	Metal	1	246xΦ8
10	GS0201021	Support rod fixing piece	Metal	1	38x16x1.5
11	BGS08017	Lock plate	Metal	1	30x27.5x15
12	Y3167	Large flat head cross screw	Stainless steel	12	M6x16
13	Y202338	Large flat head cross screw	Stainless steel	8	M5.5x19
14	Y202333	Crosshead screw	Stainless steel	4	M4x10
15	GS080002	Instruction	/	1	
16		Spare parts	/	1	

please save the spare parts.

Wall Panels and Floor

Left side panel
BGS08013

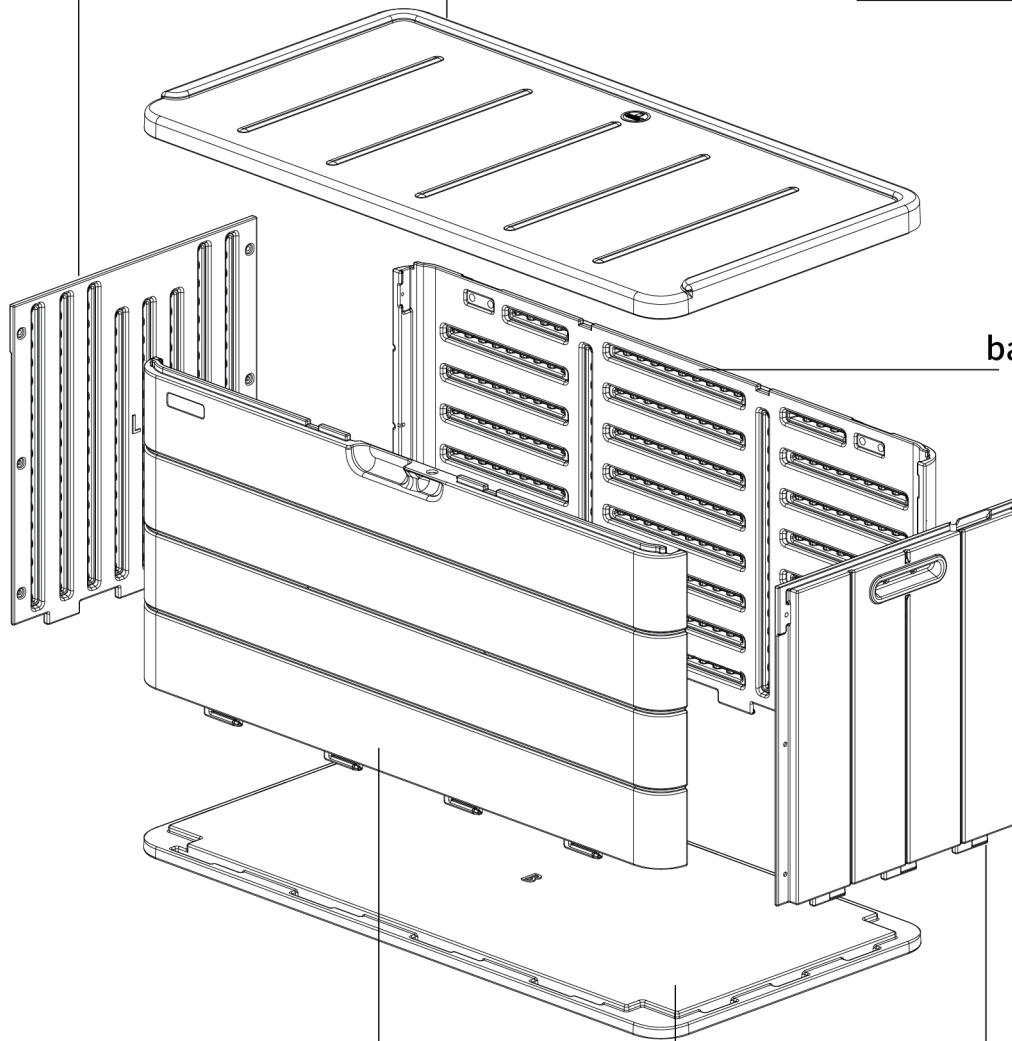
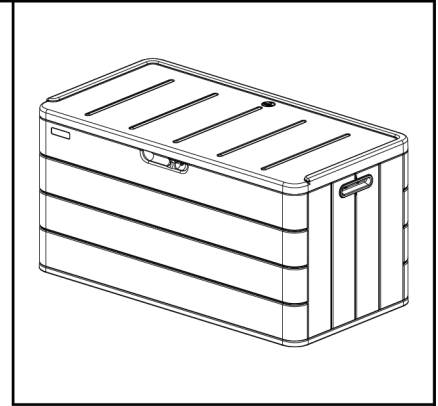
Roof
BGS08015

back panel
BGS08012

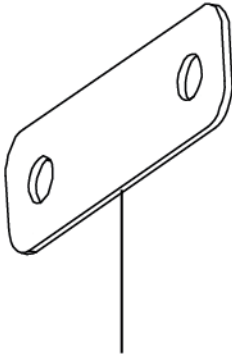
front panel
BGS08021

Floor
BGS08011

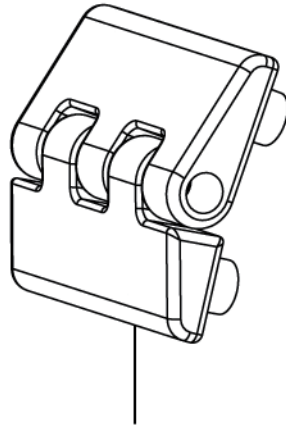
Right side panel
BGS08014



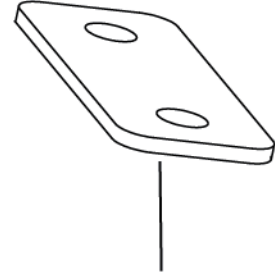
Hardware



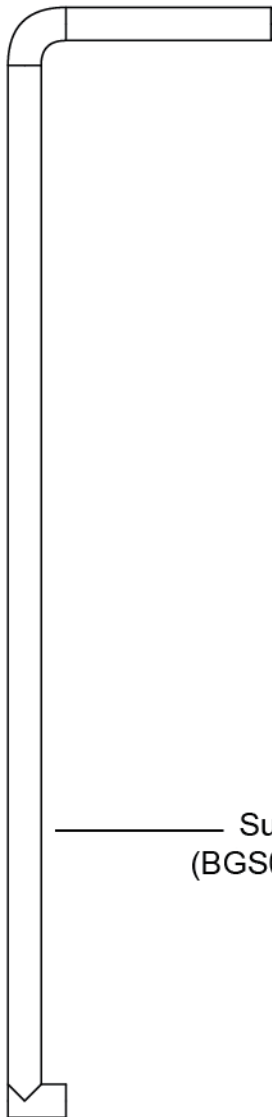
Strengthen the block
(GS0201028)x4pcs



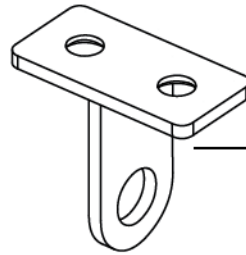
Hinge assembly
(GS0201014)x2pcs



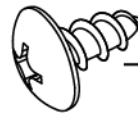
Support rod fixing piece
(GS0201021)x1pcs



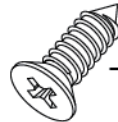
Support rod
(BGS08016)x1pcs



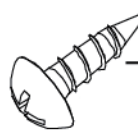
Lock plate
(BGS08017)x1pcs



Large flat head
cross screw
Y3167
M6X16X12pcs



Crosshead screw
Y202333
M4x10x4pcs

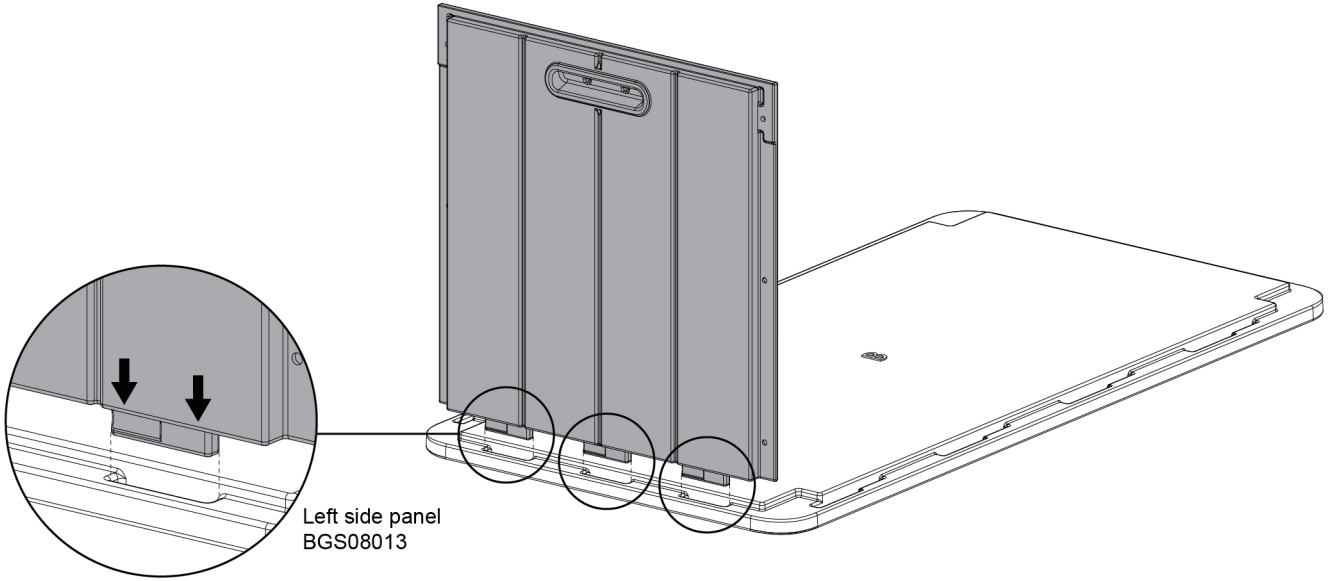


Large flat head
cross screw
Y202338
M5.5x19x8pcs

1 Left side panel to install



Left side panel
BGS08013

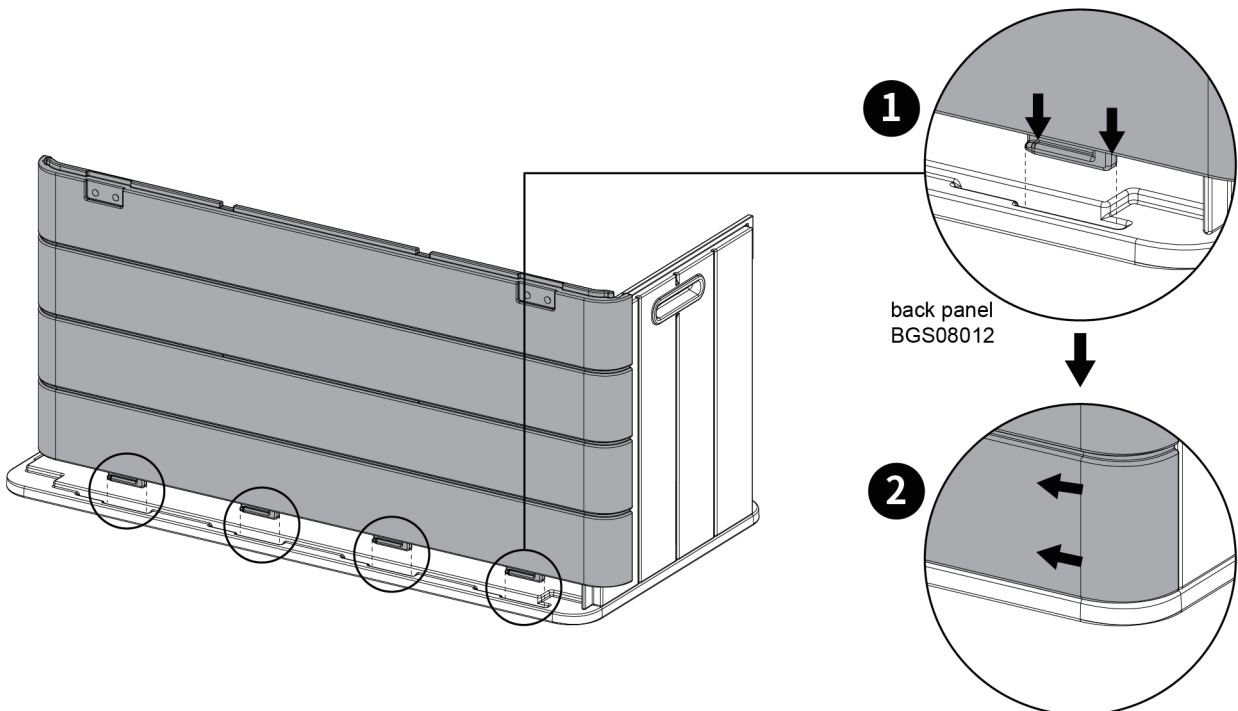


Left side panel
BGS08013

2 back panel to install

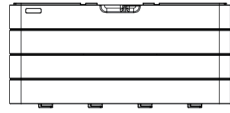


back panel
BGS08012

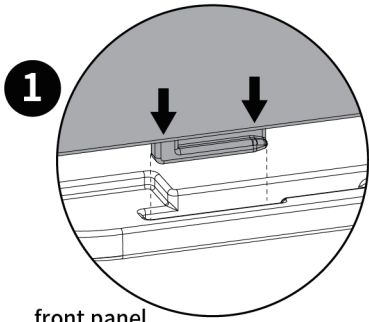


back panel
BGS08012

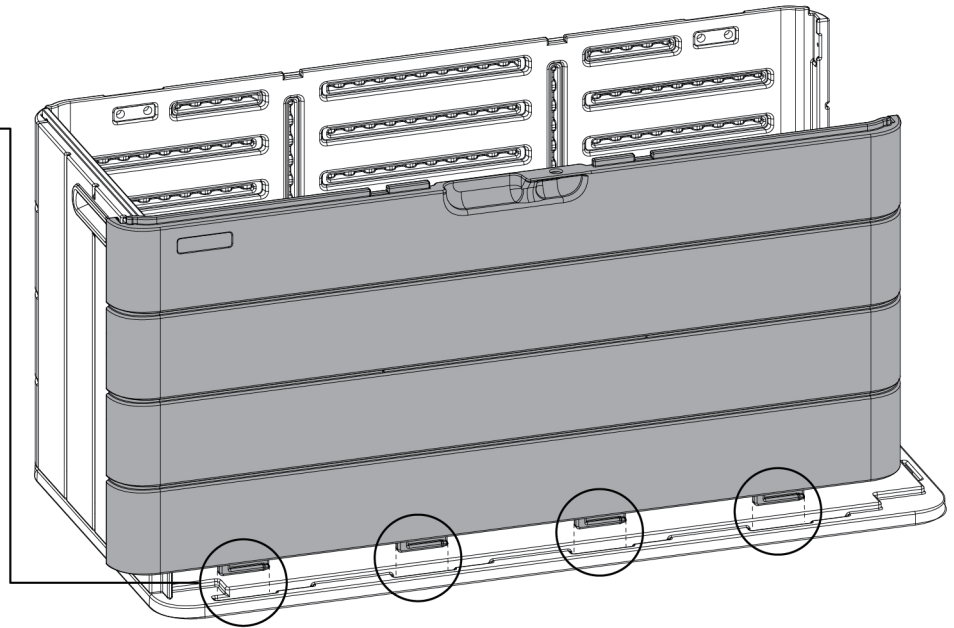
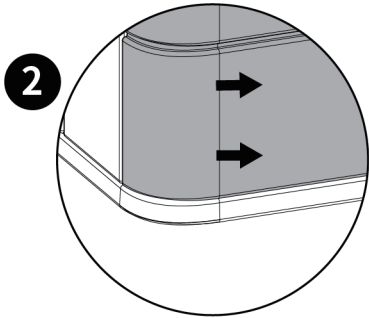
3 front panel
to install



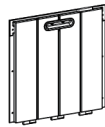
front panel
BGS08021



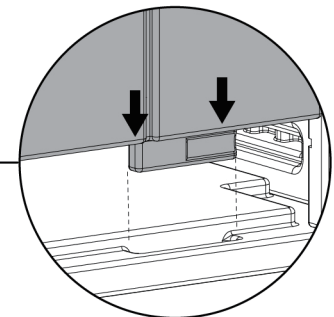
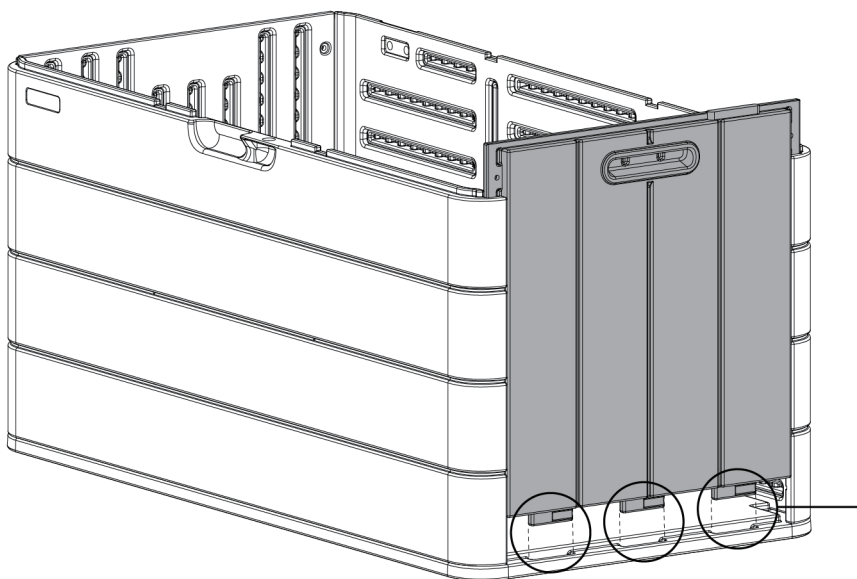
front panel
BGS08021



4 Right side panel
to install



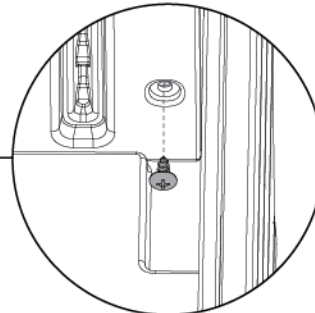
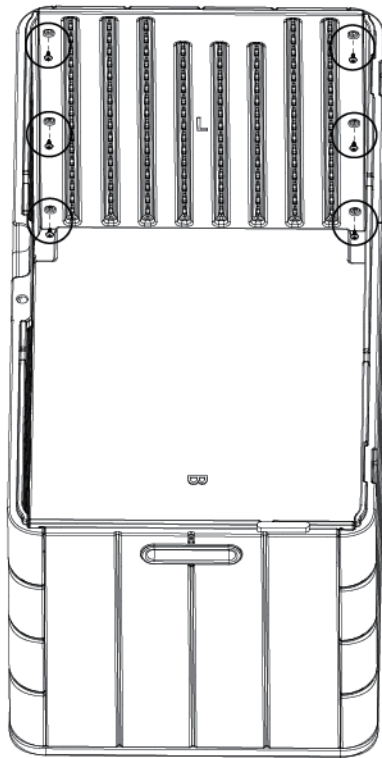
Right side panel
BGS08014



Right side panel
BGS08014

5 side panel to install

Large flat head cross screw Y3167 (M6X16)x12pcs



Large flat head cross screw Y3167 (M6X16)x12pcs

note: right and left panel same installation method.

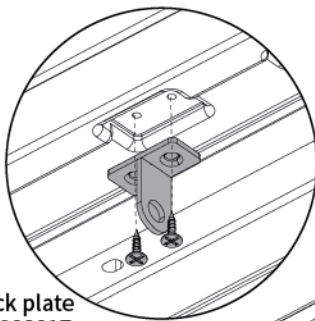
6 Roof accessories to install

Roof GS0201008

Hinge assembly (GS0201014) x2pcs

Strengthen the block (GS0201028) x2pcs

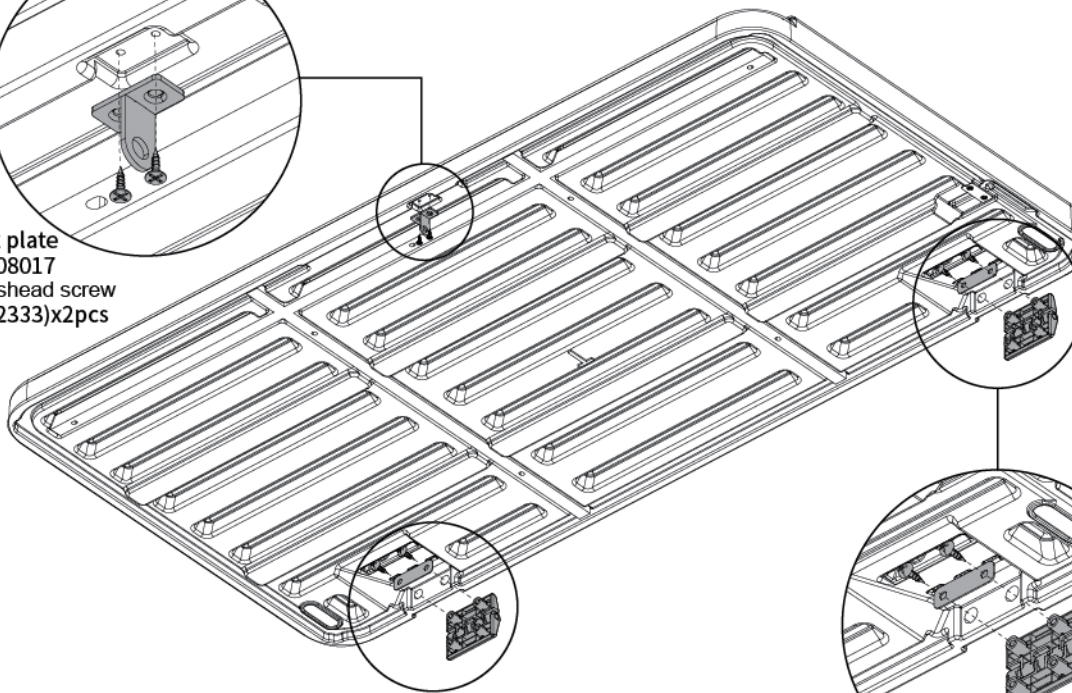
Large flat head cross screw Y202338 (M5.5x19)x4pcs



Lock plate BGS08017 Crosshead screw (Y202333)x2pcs

Lock plate BGS08017

Crosshead screw (Y202333)x2pcs



Hinge assembly (GS0201014) x2pcs

Strengthen the block (GS0201028) x2pcs

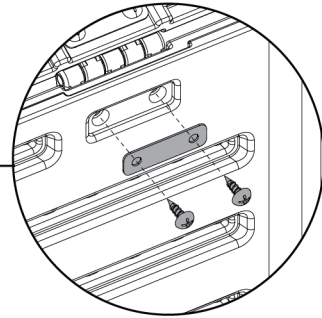
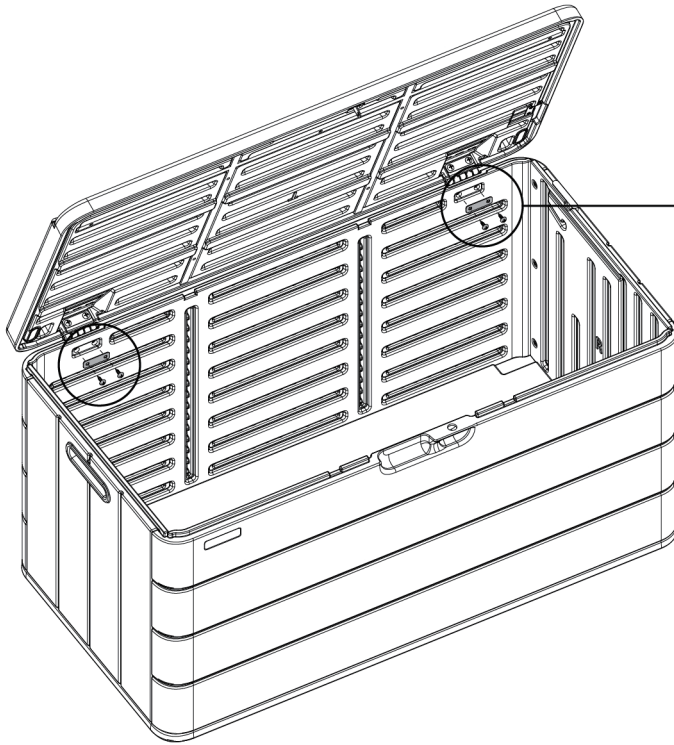
Large flat head cross screw Y202338 (M5.5x19)x4pcs

7 Roof to install

Strengthen the block (GS0201028) x2pcs



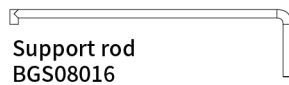
Large flat head cross screw Y202338 (M5.5x19)x4pcs



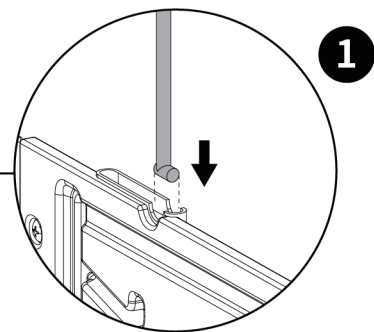
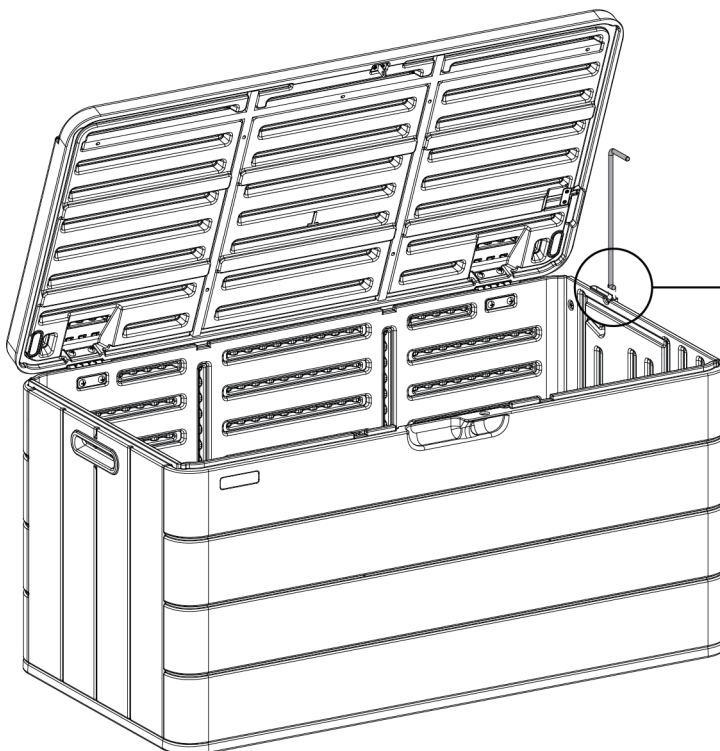
Strengthen the block (GS0201028) x2pcs

Large flat head cross screw Y202338 (M5.5x19)x4pcs

8 Support rod to install

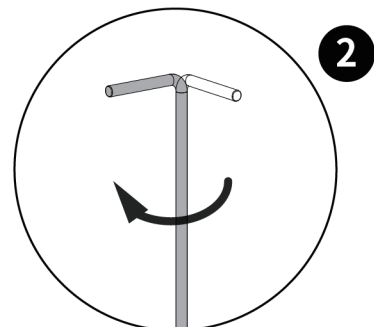


Support rod BGS08016



1

Support rod BGS08016



2

clockwise rotation support pole

9

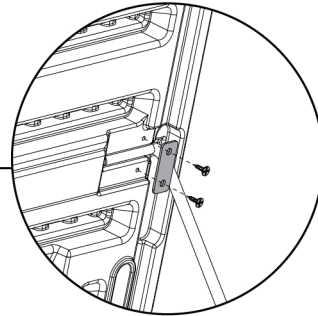
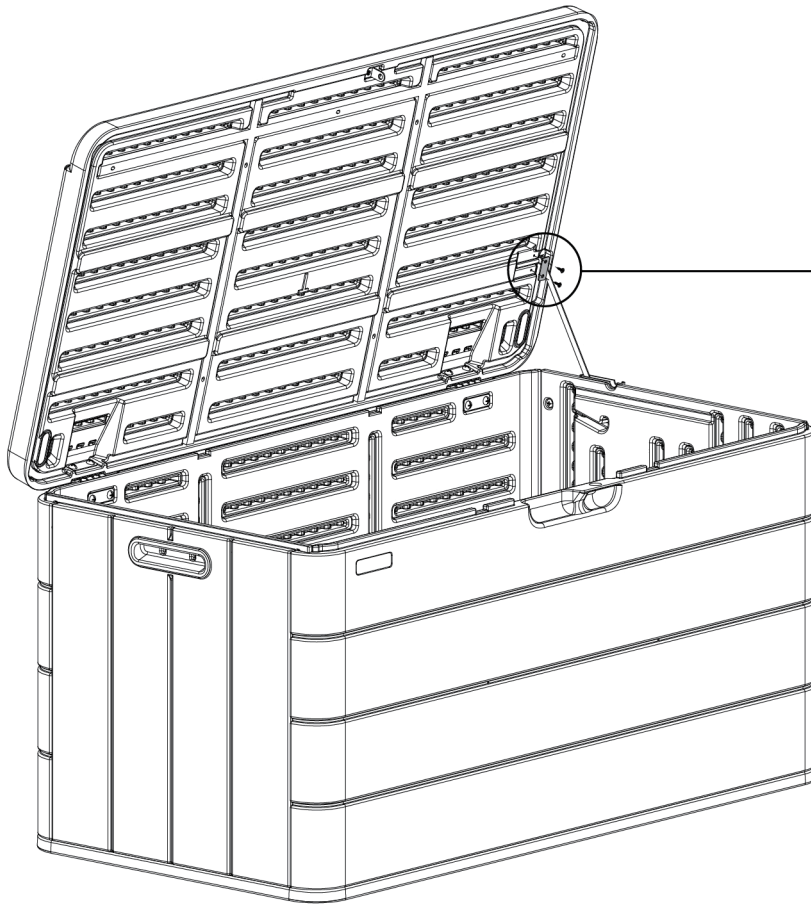
Support rod
to install



Support rod
fixing piece
GS0201021



Crosshead screw
(Y202333)x2pcs



Support rod
fixing piece
GS0201021
Crosshead screw
(Y202333)x2pcs

👍 Congratulations! you did it!! Awesome!!!