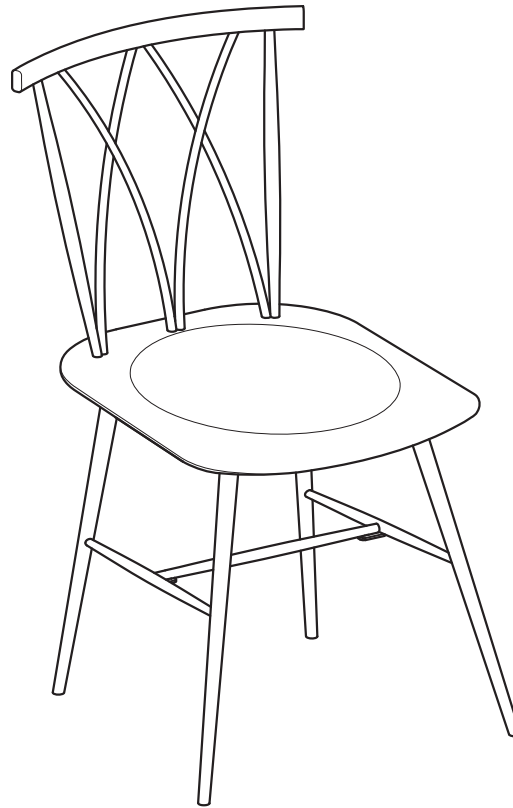


CHAIR

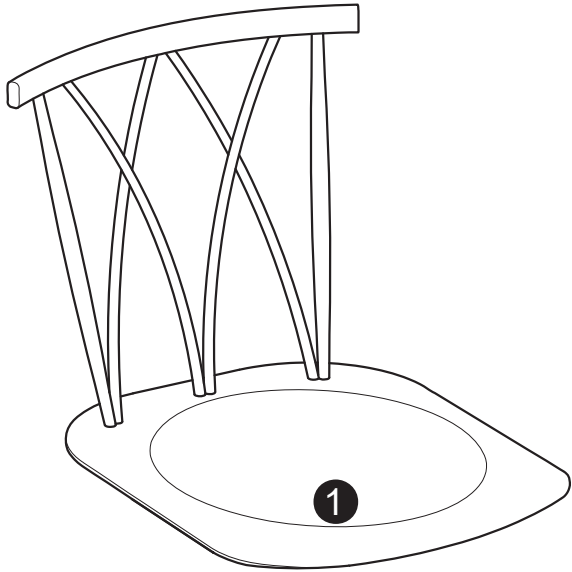
ASSEMBLY INSTRUCTIONS



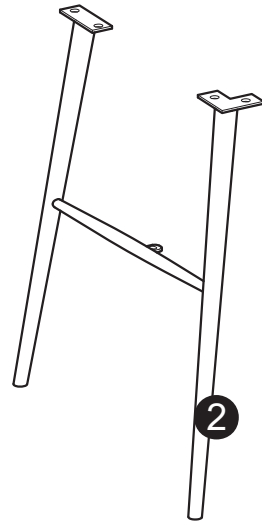
WARNING

- This product has been designed for seating one (1) average adult. To prevent injury and damage to this unit, PROHIBIT jumping on it.
 - This product is designed for home use and not intended for commercial use.
 - Recommended # of people needed for handling: 2
 - THIS INSTRUCTION BOOKLET CONTAINS **IMPORTANT** SAFETY INFORMATION. PLEASE READ AND KEEP FOR FUTURE REFERENCE.
-

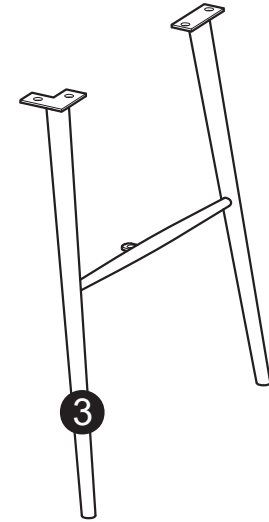
PARTS AND HARDWARE



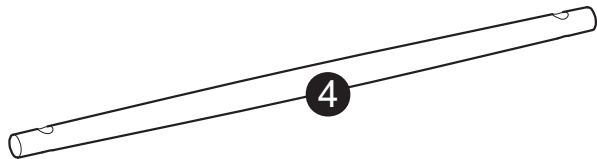
Chair Body
QTY:1



Left Facing Leg
QTY:1



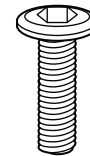
Right Facing Leg
QTY:1



Support Rail
QTY:1

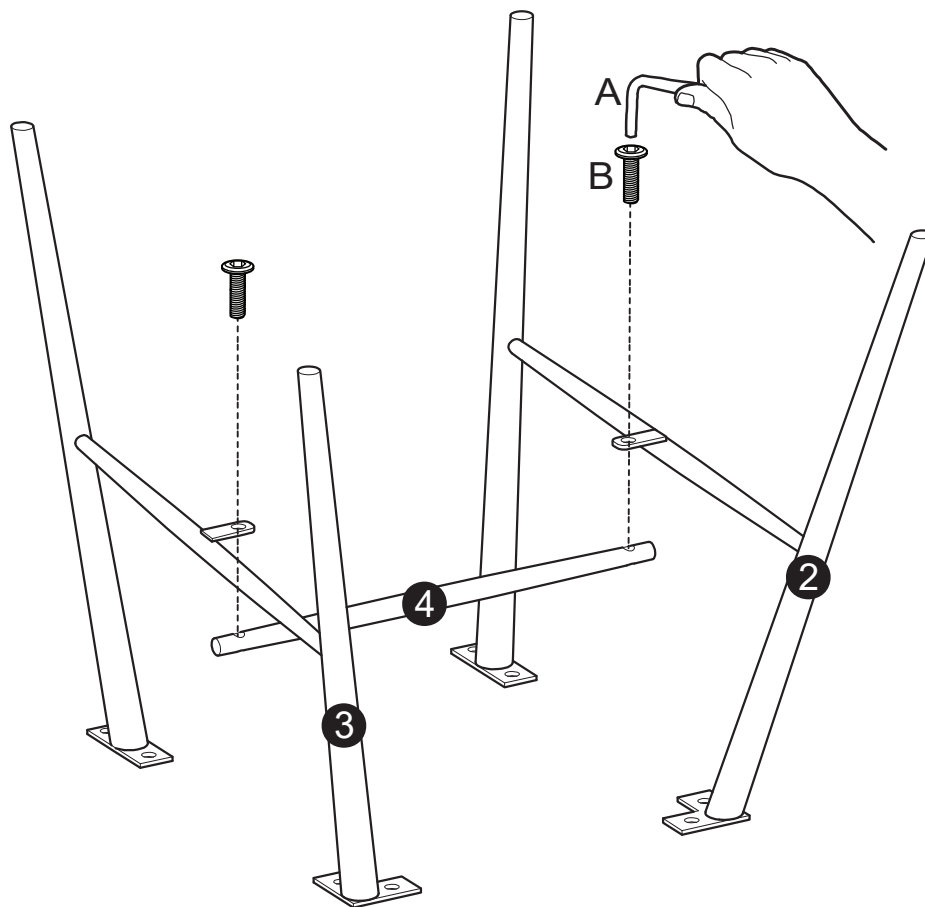


A
Hex Key
M4
QTY : 1 PC

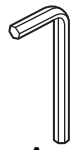


B
Bolt
1/4" x 10mm
QTY : 10 PCS

Step 1 :



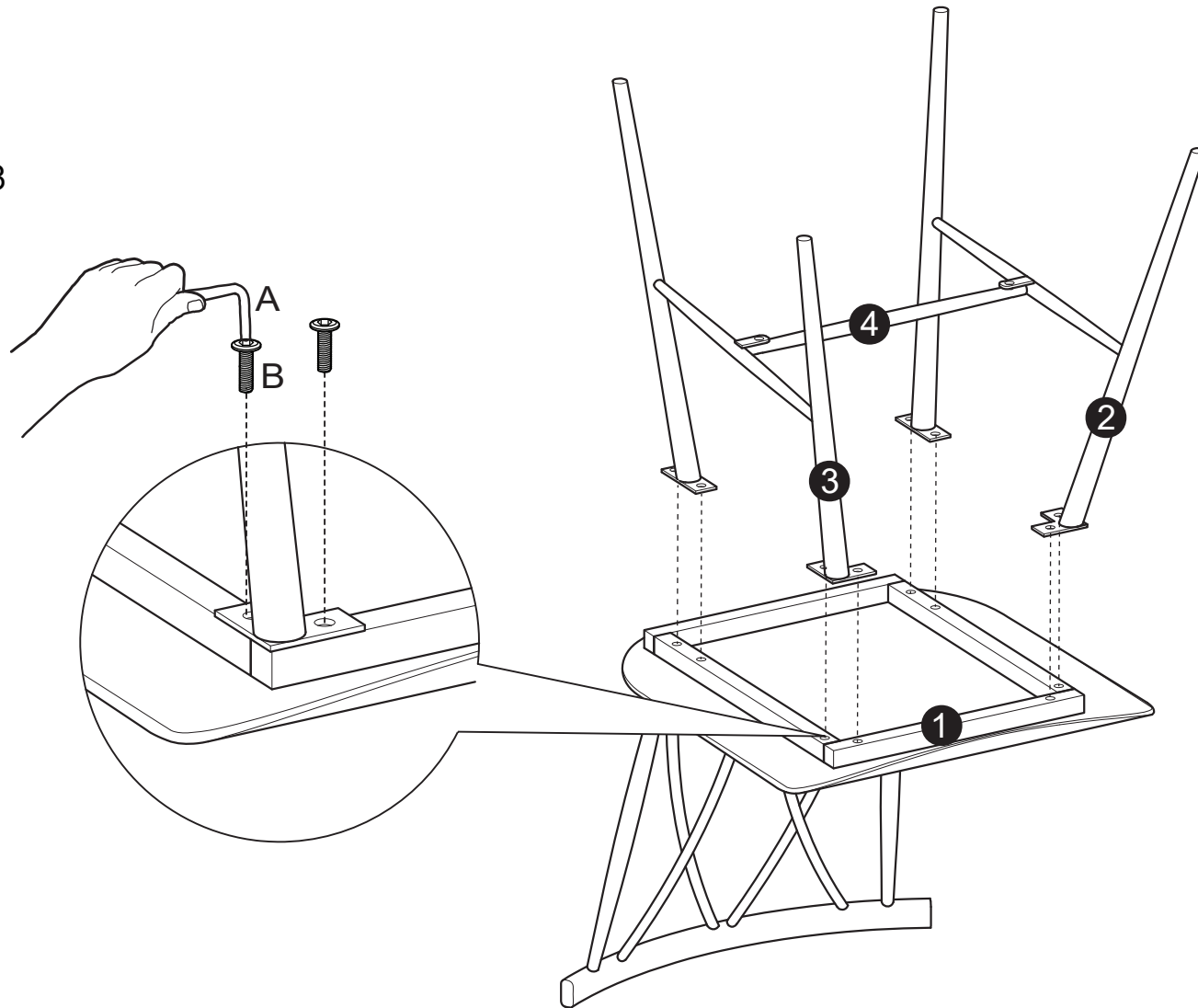
Step 2 :



A × 1



B × 8



INSTALLATION COMPLETE :

