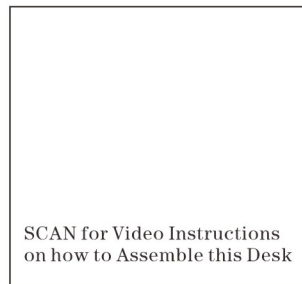
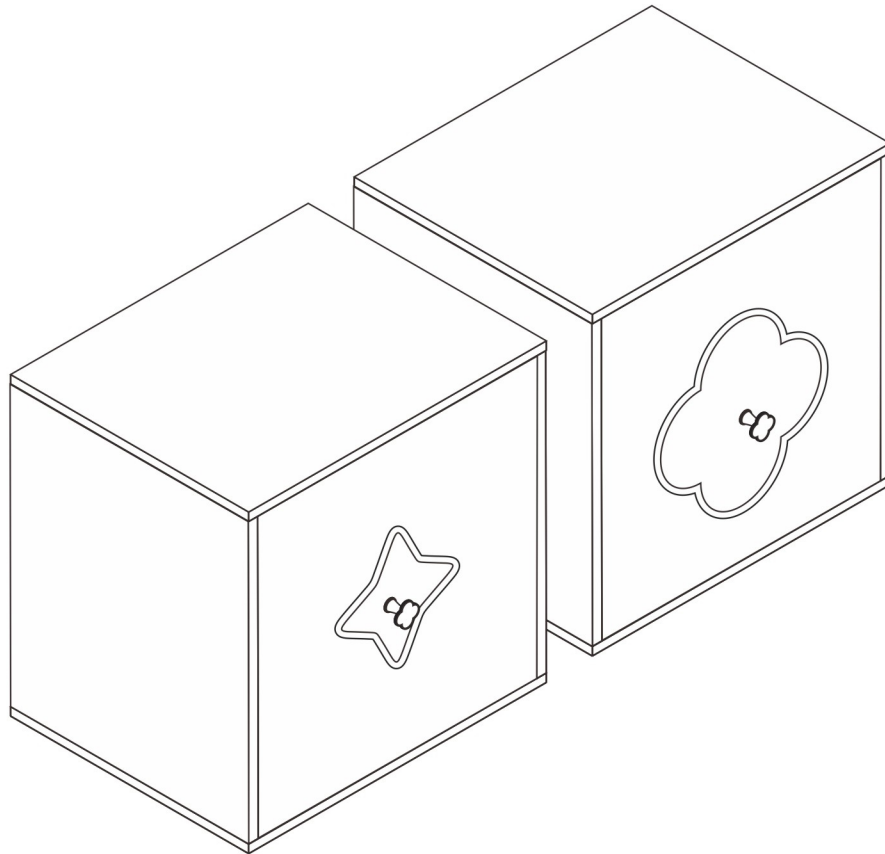


# CT-501#

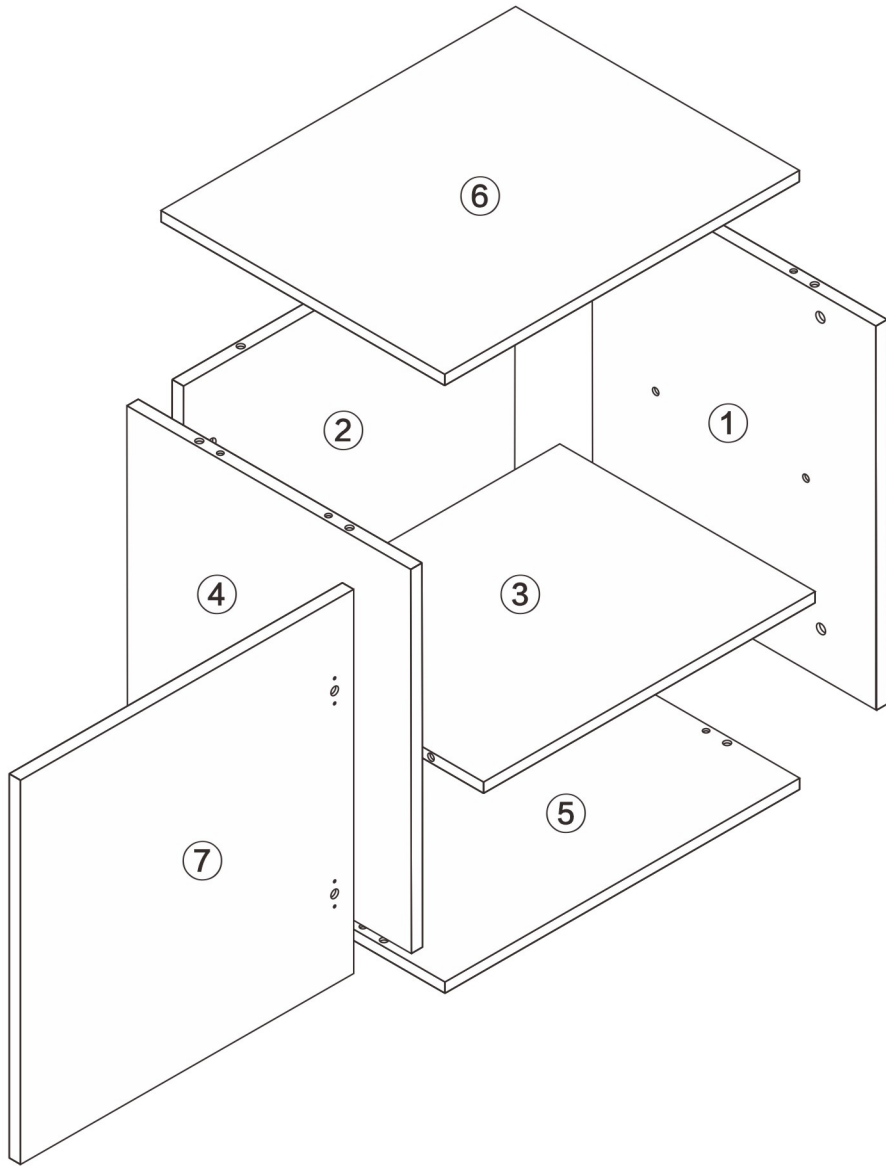
Shell tank



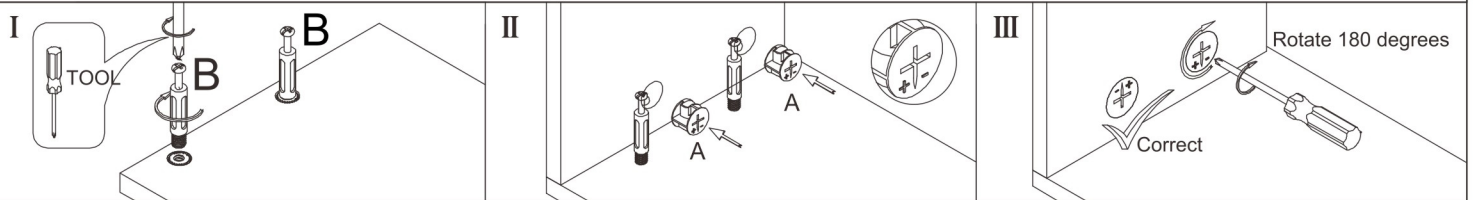
L500\*W400\*H500MM

## Installation Instructions

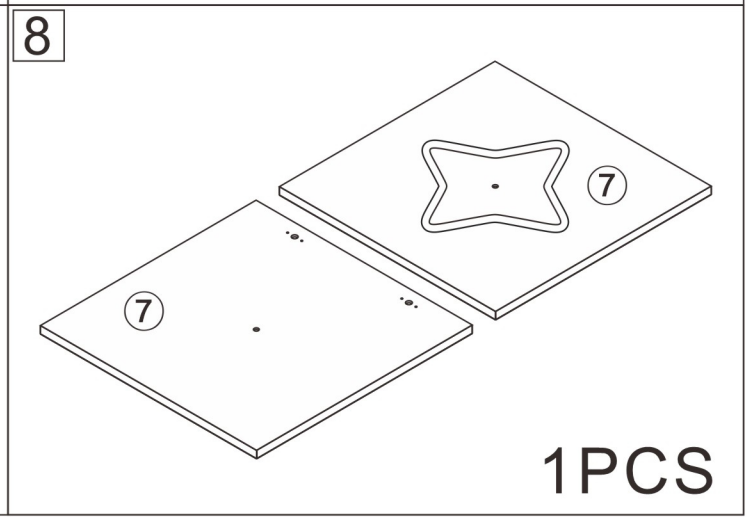
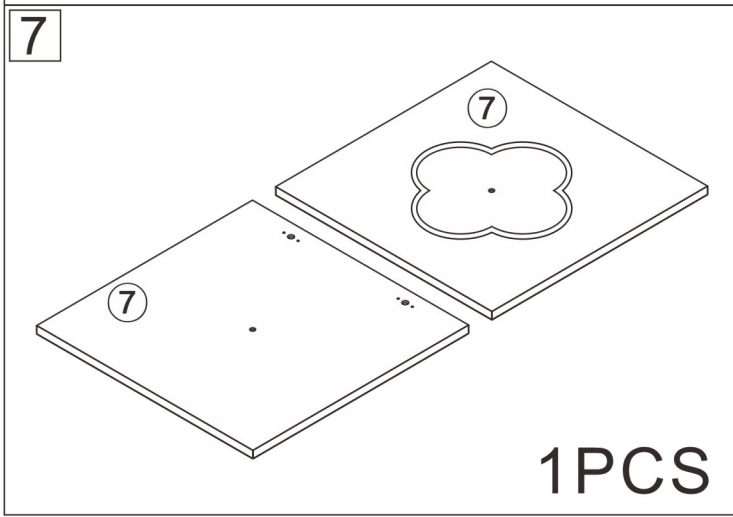
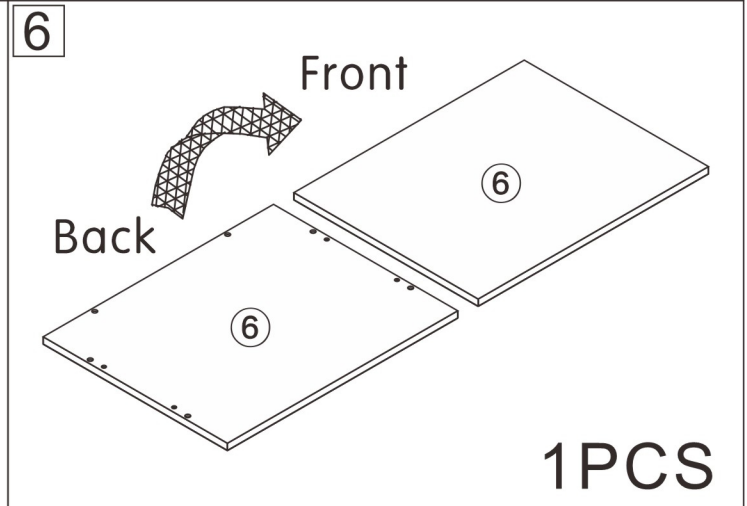
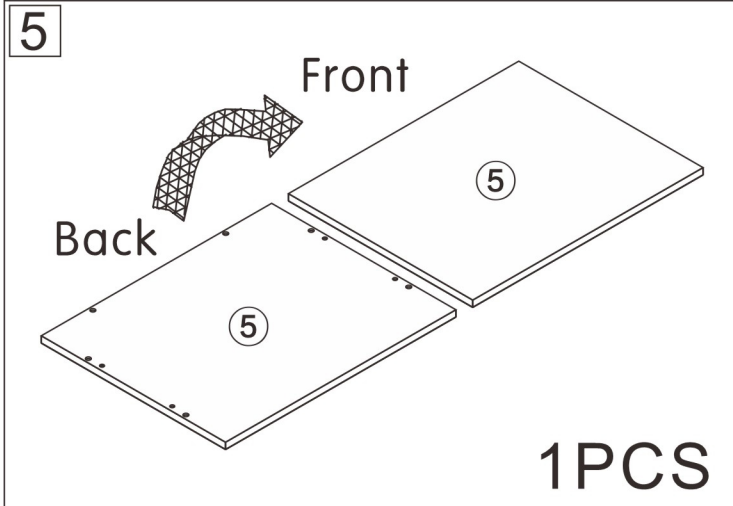
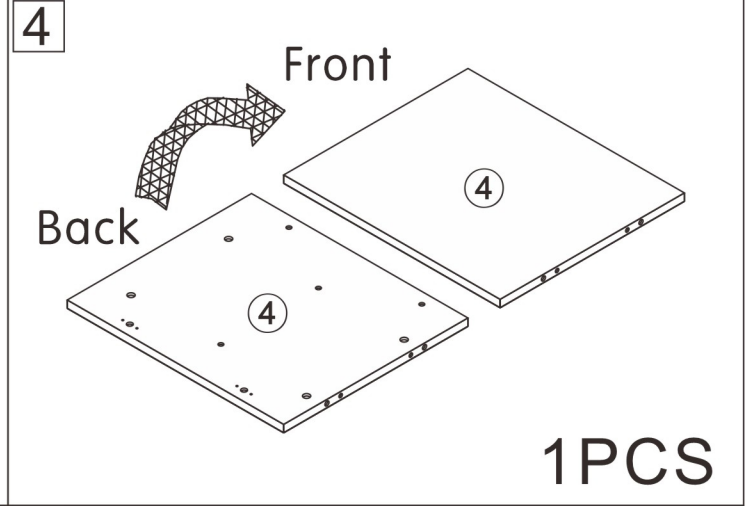
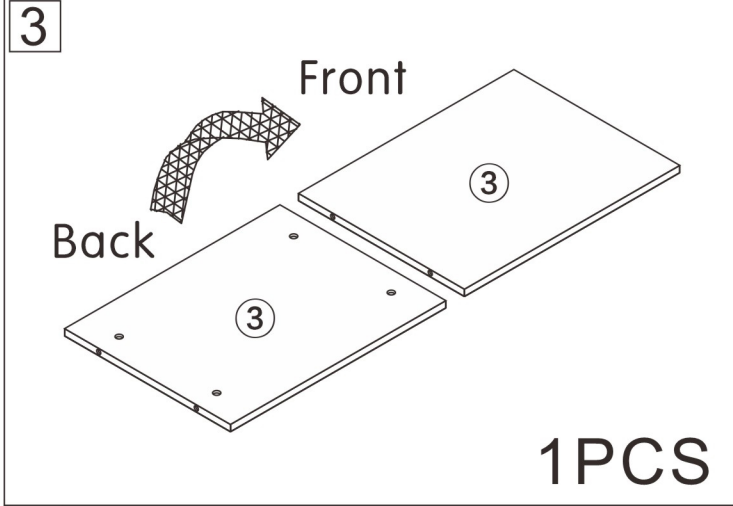
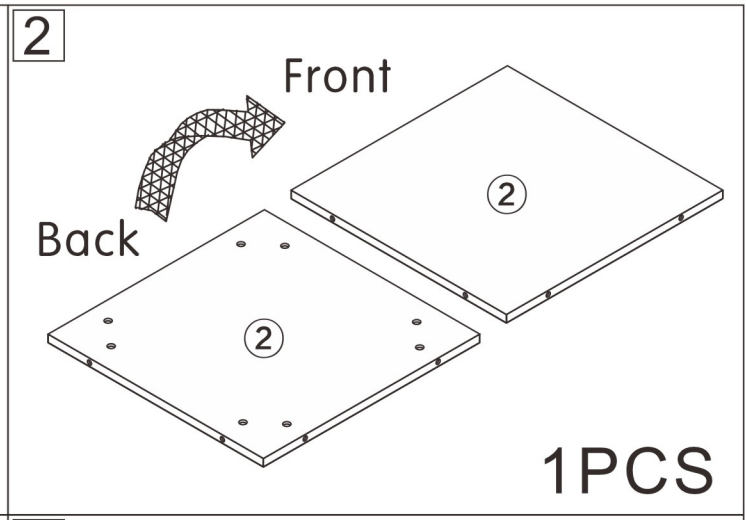
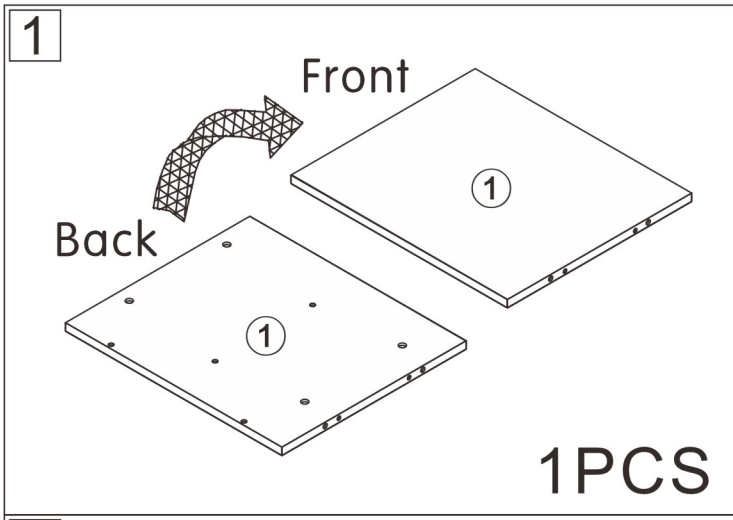
Notes: Don't tighten screws completely at first, just in case parts were assembled wrongly and need disassemble. Tighten screws at last when all parts are put together.



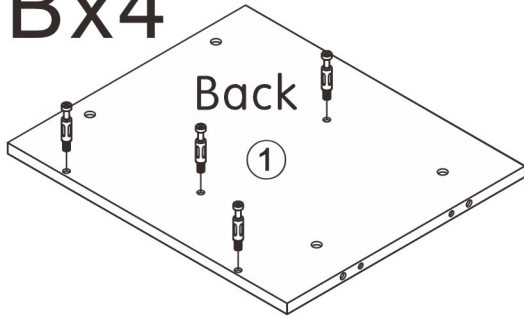
Disassembly and installation of accessories



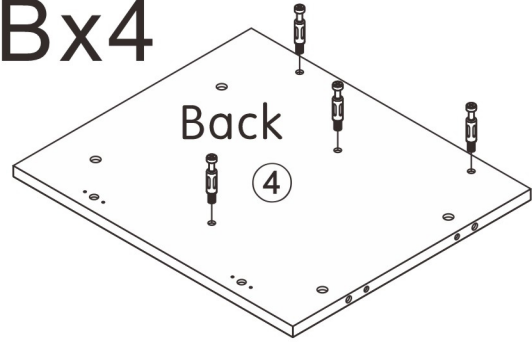
<b>A</b> 20PCS  15*10mm	<b>B</b> 20PCS  6*28mm	<b>C</b> 8PCS  8*30mm	<b>D</b> 4PCS  3.5*14mm	<b>E</b> 8PCS  4*12mm	<b>F</b> 1PCS  4*8mm	<b>G</b> 1PCS 	 Tools Recommended
<b>H</b> 2PCS 	<b>I</b> 4PCS  6*12mm	<b>K</b> 1PCS 					



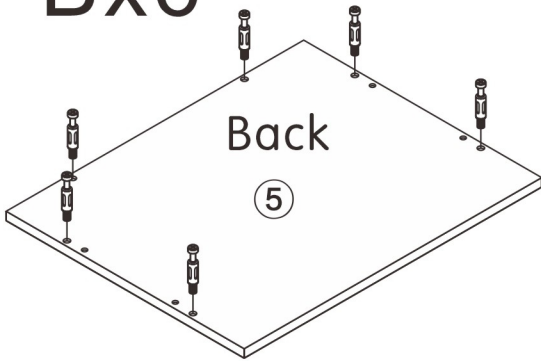
Bx4



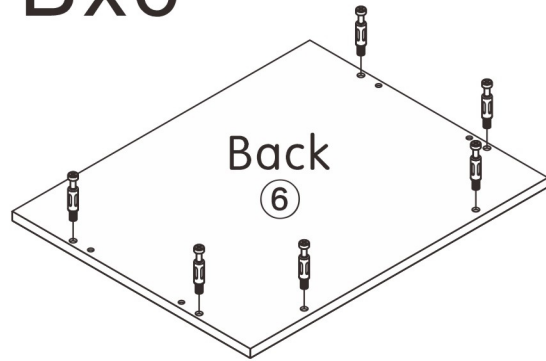
Bx4




Bx6

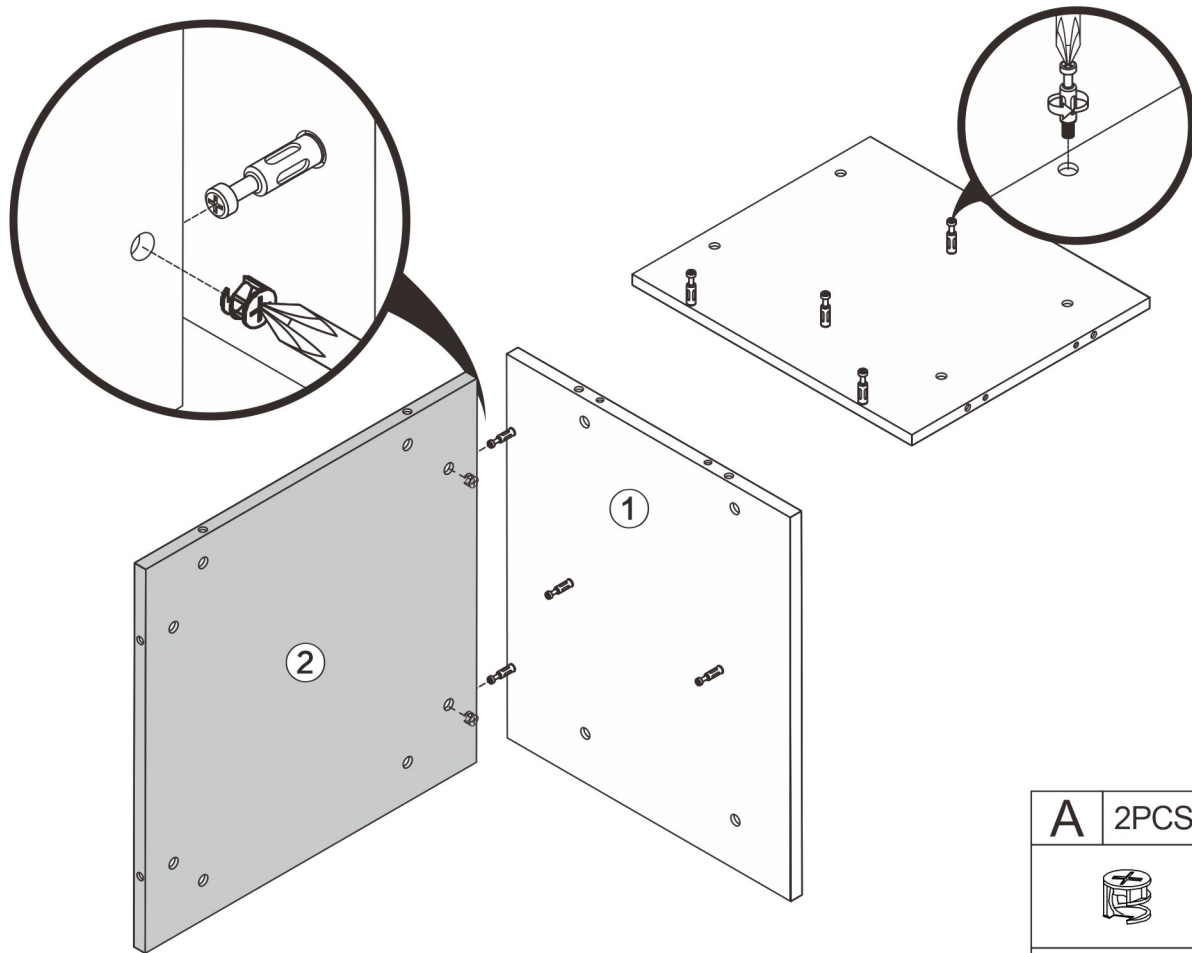



Bx6



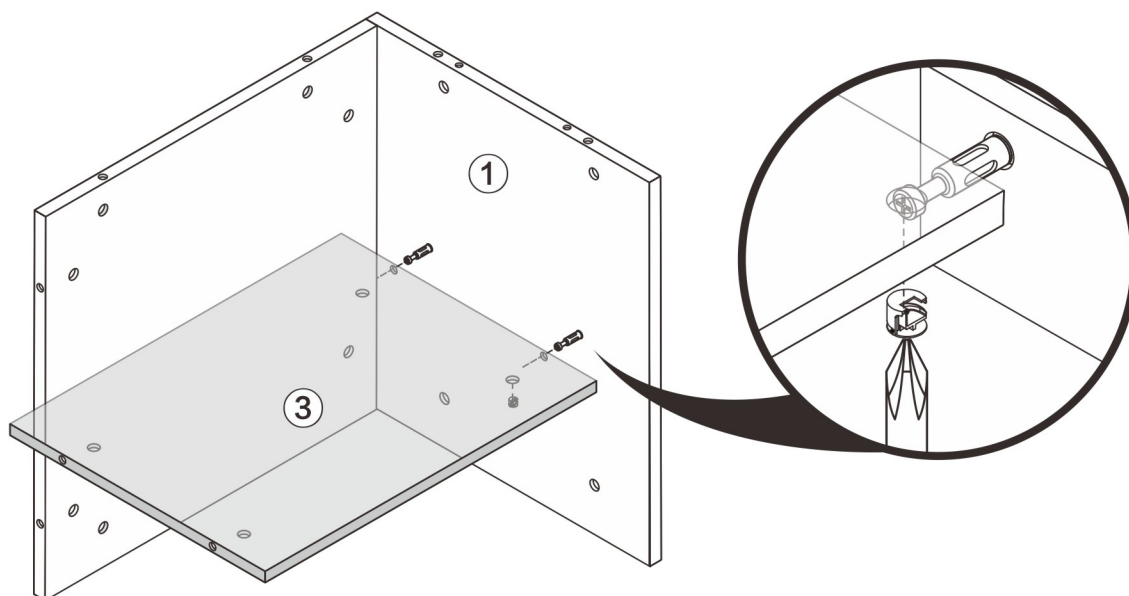
<b>B</b>	20PCS
	
6*28mm	


2



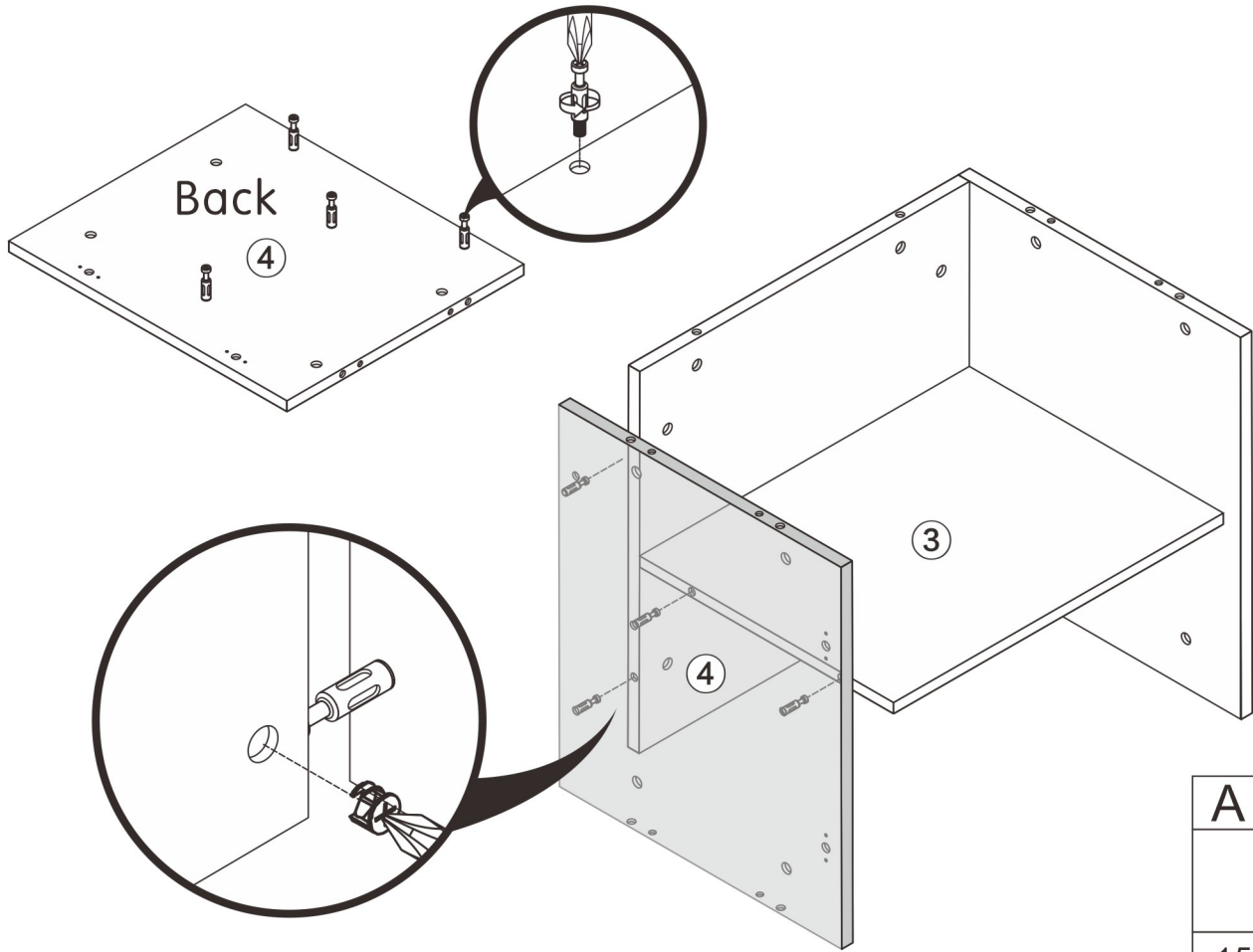
A	2PCS
	
15*10mm	


3



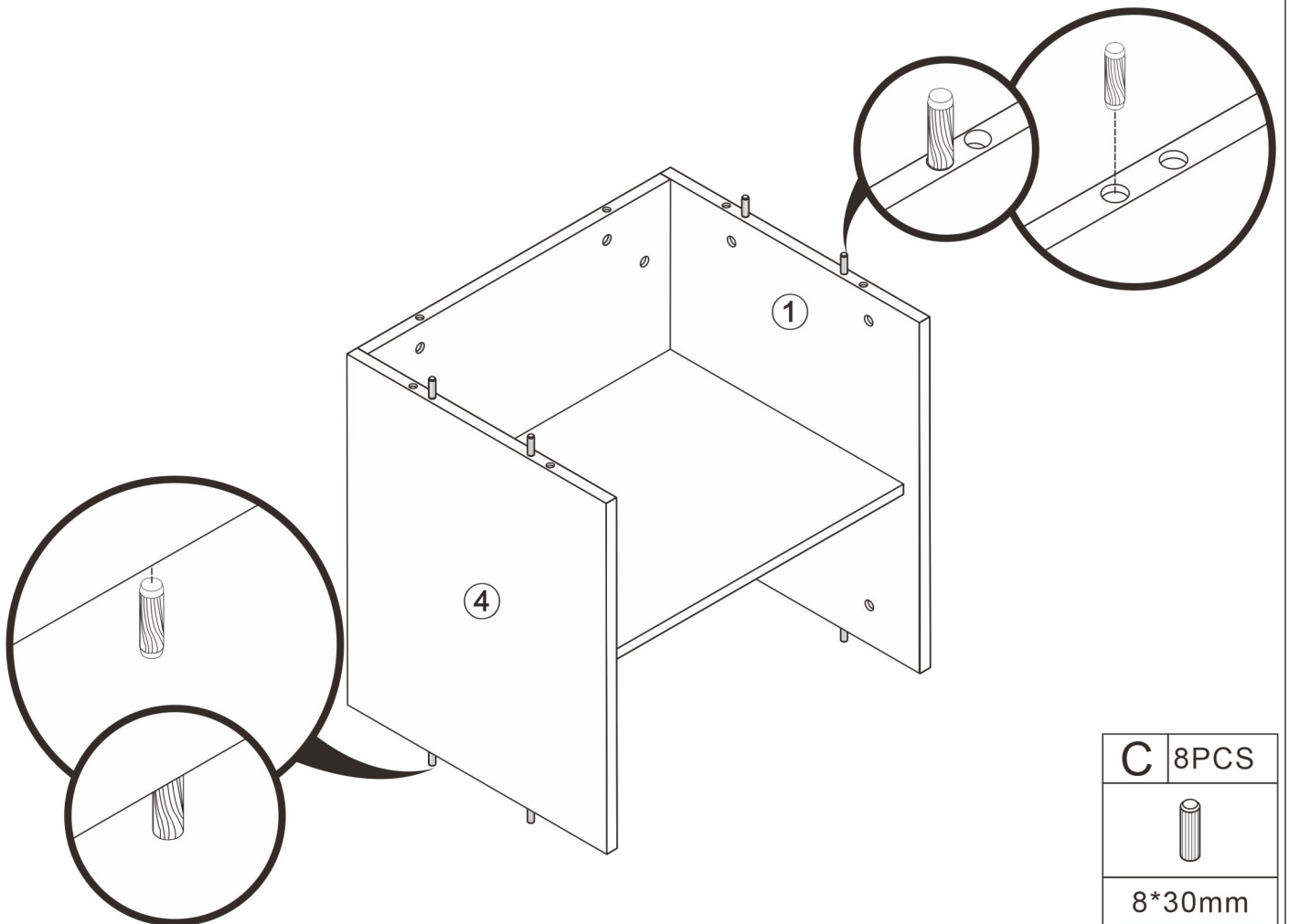
A	2PCS
	
15*10mm	


4



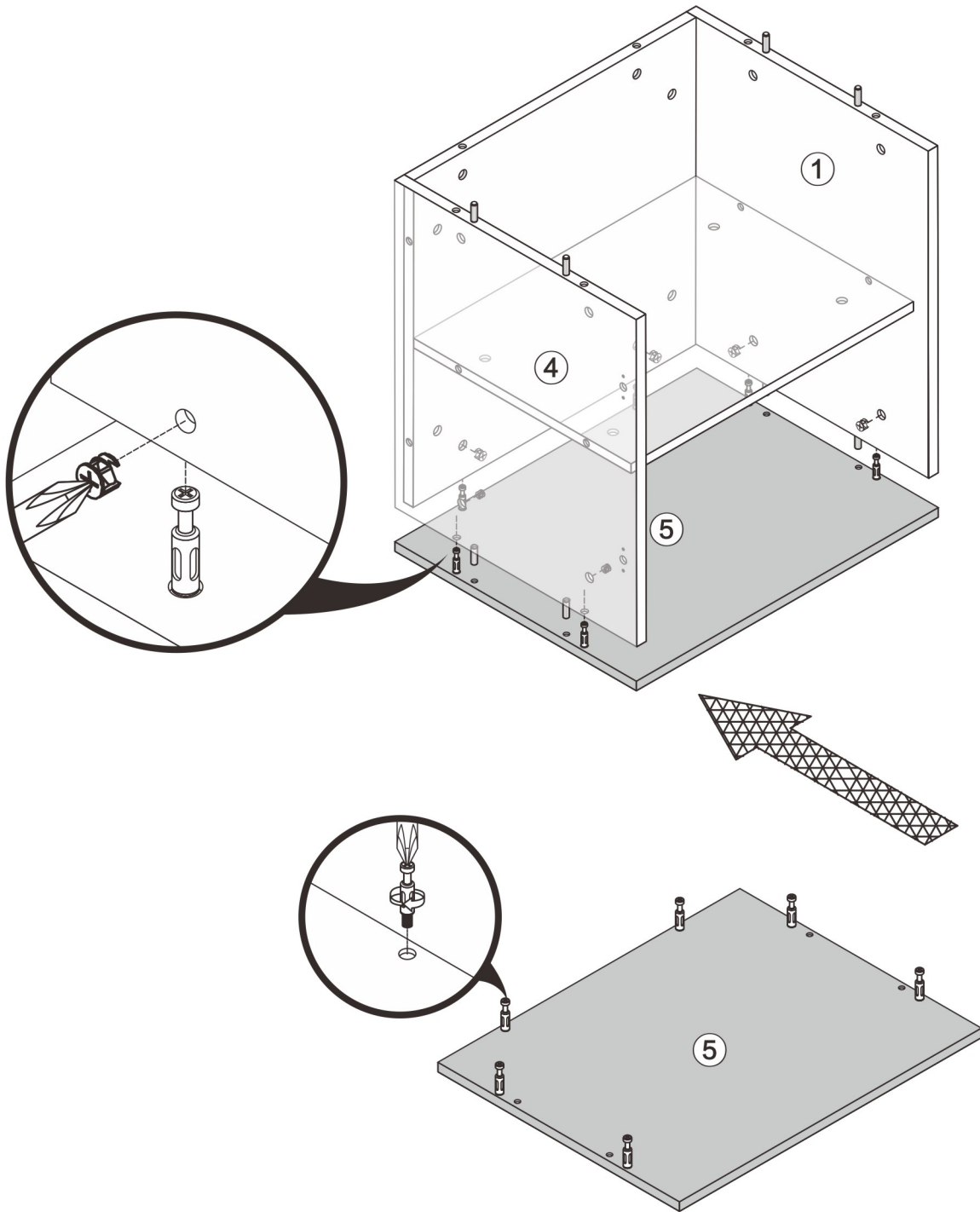
A	4PCS
	
15*10mm	


5



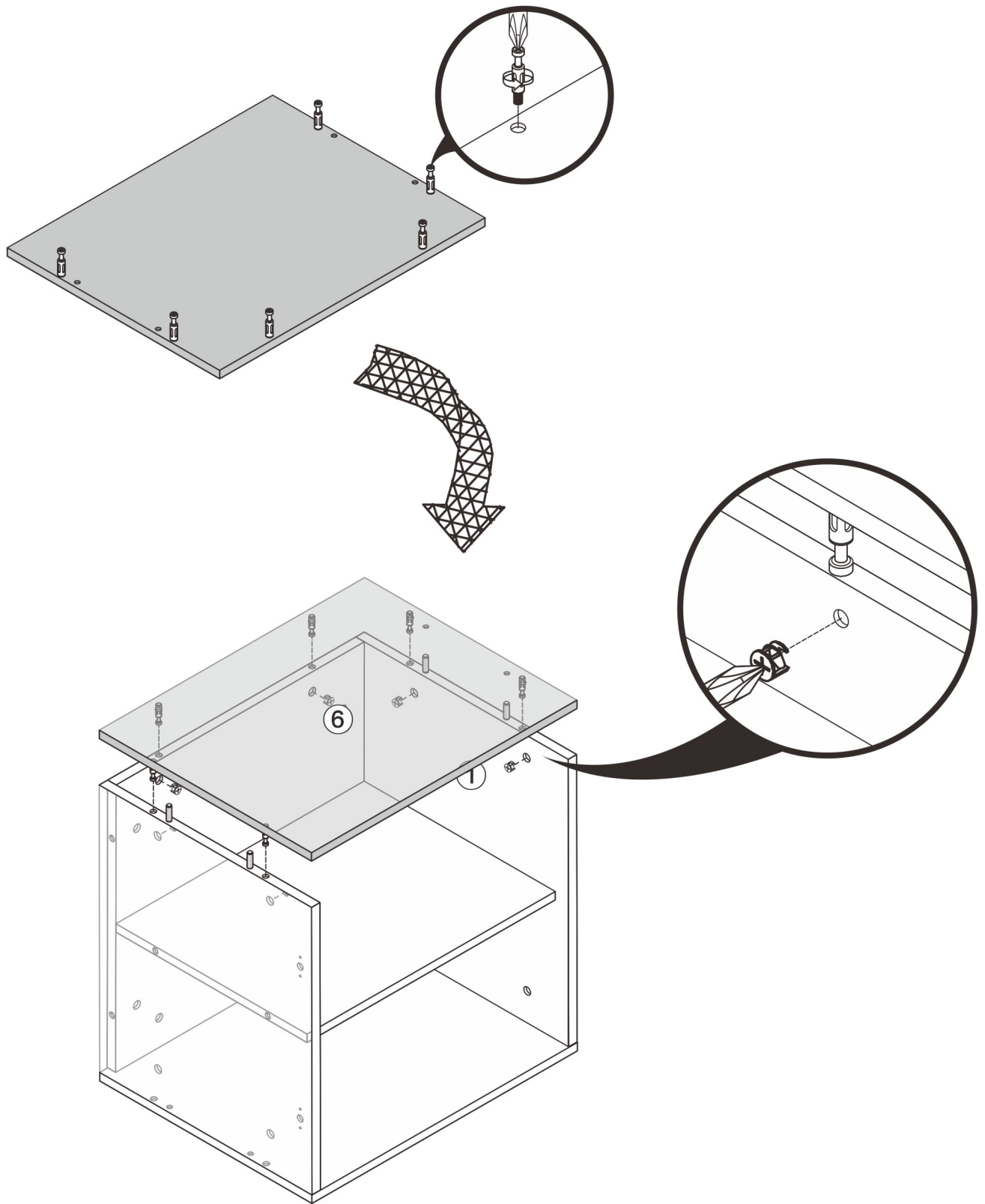
C	8PCS
	
8*30mm	

6

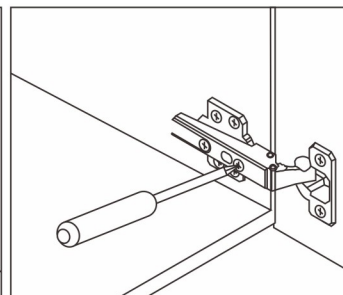
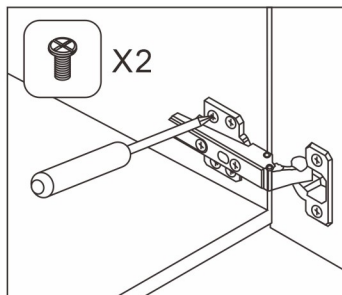
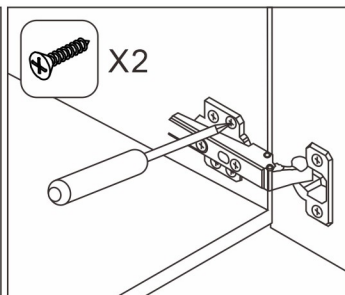
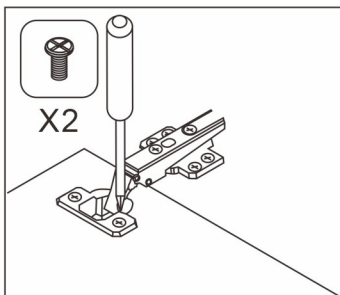
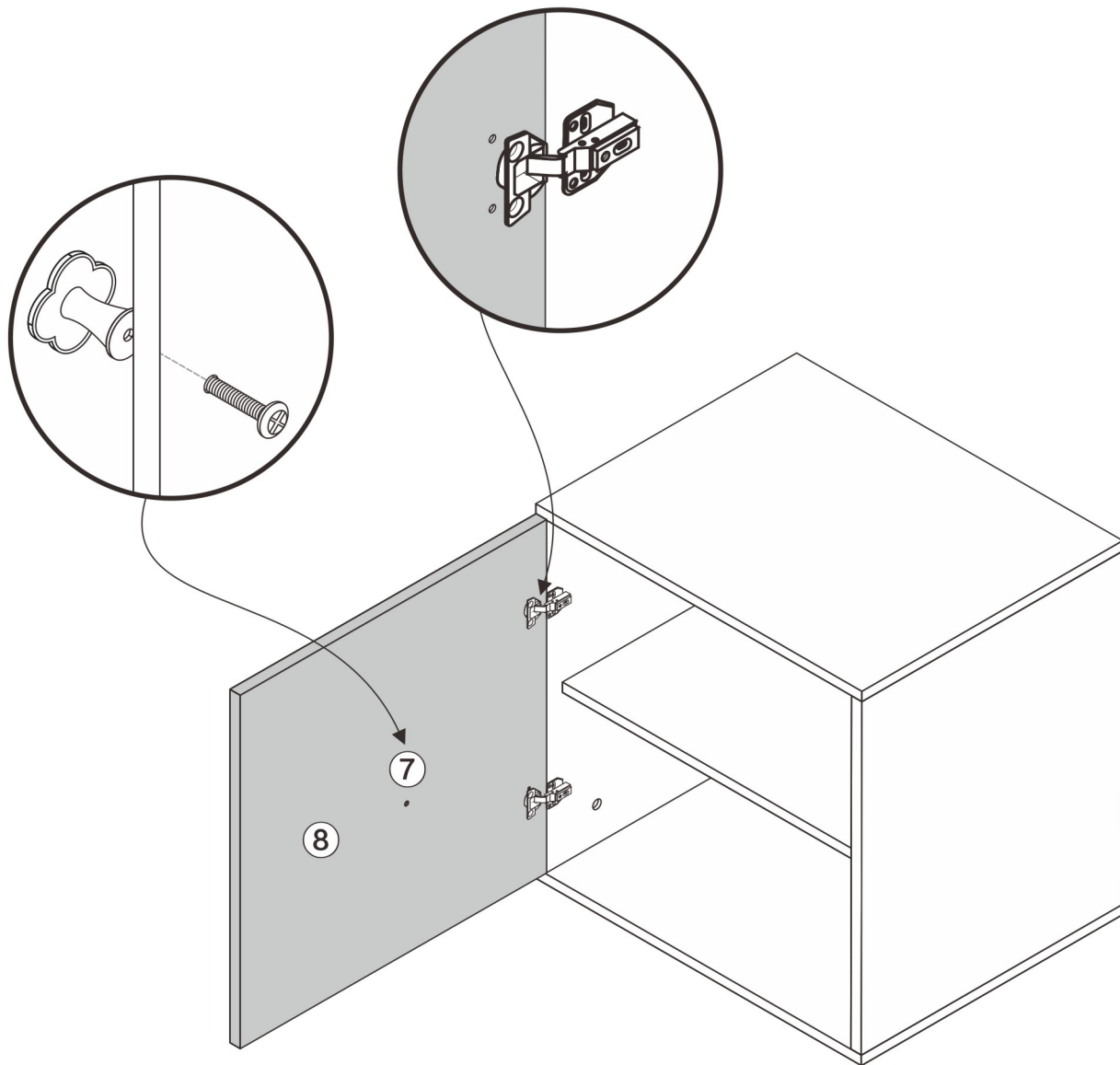





A	6PCS
	
15*10mm	

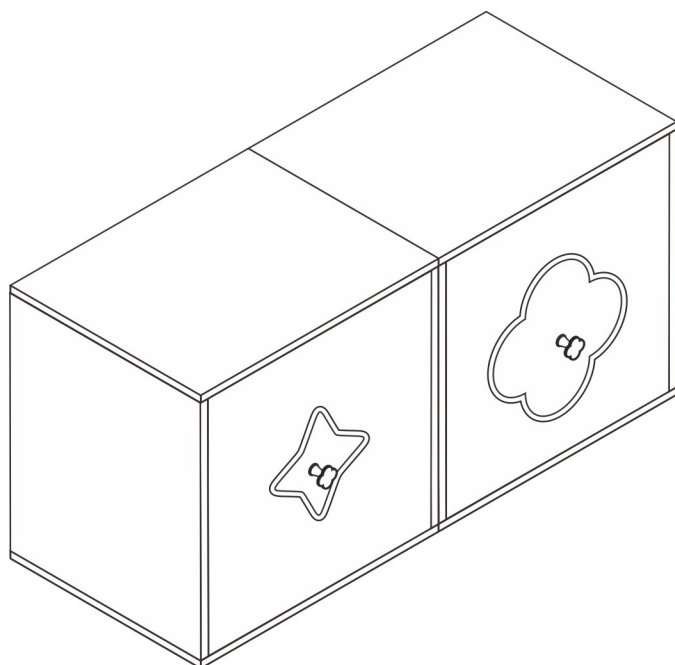
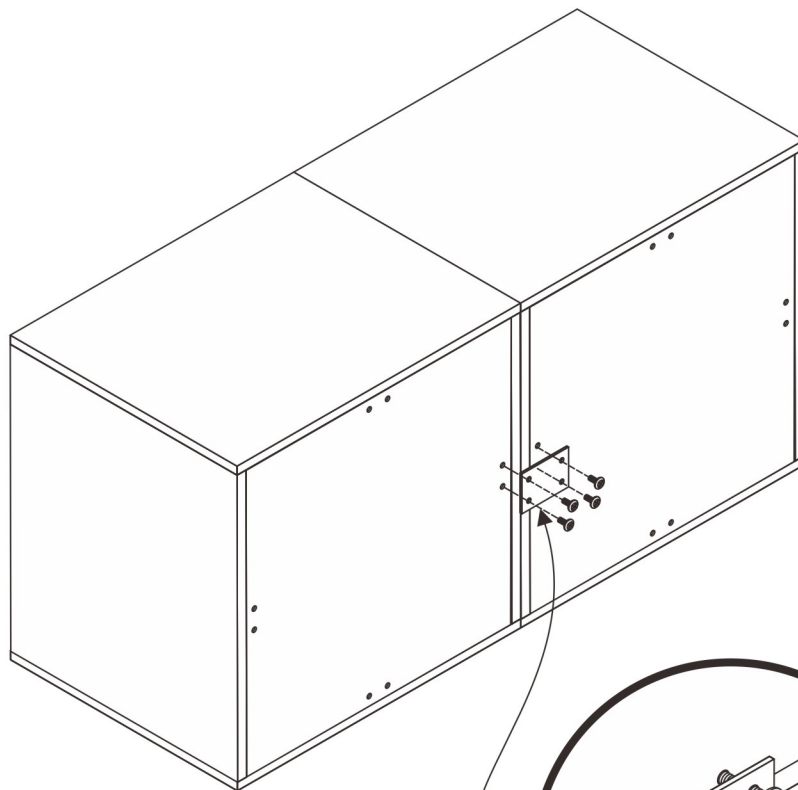
7


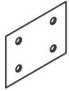


A	6PCS
15*10mm	



<b>D</b>	4PCS	<b>E</b>	8PCS	<b>H</b>	2PCS
					
3.5X14mm		4*12mm			



I	4PCS	K	1PCS
			
6*12mm			