

## NOTICE

- \* Please make sure that you have all parts indicated and they are in good condition before you begin assembly of this item. Refer to part list and hardware list below for guidance.
- \* This item should be assembled on a soft surface to prevent scratching the finish during assembly.
- \* This item may require periodic tightening.
- \* If you are having difficulty, our friendly Customer Care team is always here to help.

## PREPARATION

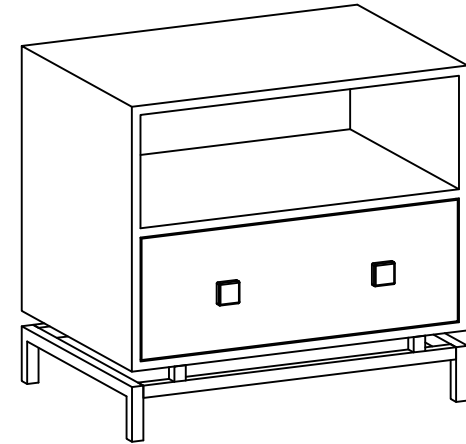
- \* Before beginning assembly of product, make sure all parts are present. Compare parts with part contents list and hardware contents list.
- \* If any part is missing or damaged, do not attempt to assemble the product.
- \* Estimated Assembly Time: 15 minutes.
- \* Tools Required for Assembly (included): Allen key.

## CARE AND MAINTENANCE

**INDOOR METAL/ALUMINUM FURNITURE:** Wipe spills immediately. Maintain with regular dusting and clean with mild soap and water, dry thoroughly and do not use a brass cleaner. Adhesive felt pads should always be used/applied in order to prevent damage to the furniture or surfaces on which the furniture is placed.

**UPHOLSTERY CARE:** To prevent overall soiling, frequent vacuuming or light brushing is recommended. Cushions and pillows should be turned on a weekly basis. Down-filled cushions should be brushed rather than vacuumed. Spot clean, using a mild water-free solvent or dry cleaning product. Only a professional cleaner should undertake a complete overall cleaning. The use of steam or water-based cleaners may cause excessive shrinking or staining.

Product Dimensions: 23"W x 16"D x 21.5"H



Weight Capacity : 25 lbs on top of the product  
Warning : Do not stand on the product  
Warning : Do not over torque bolts

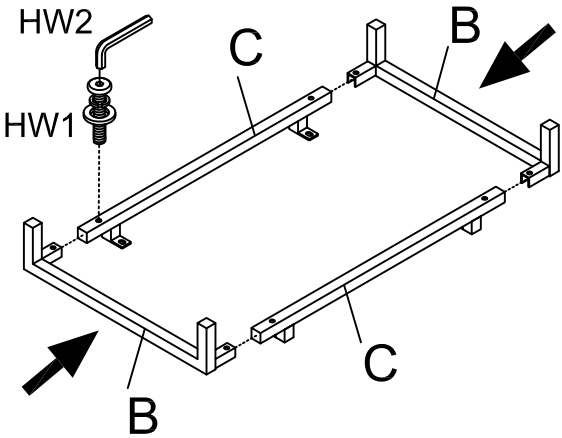
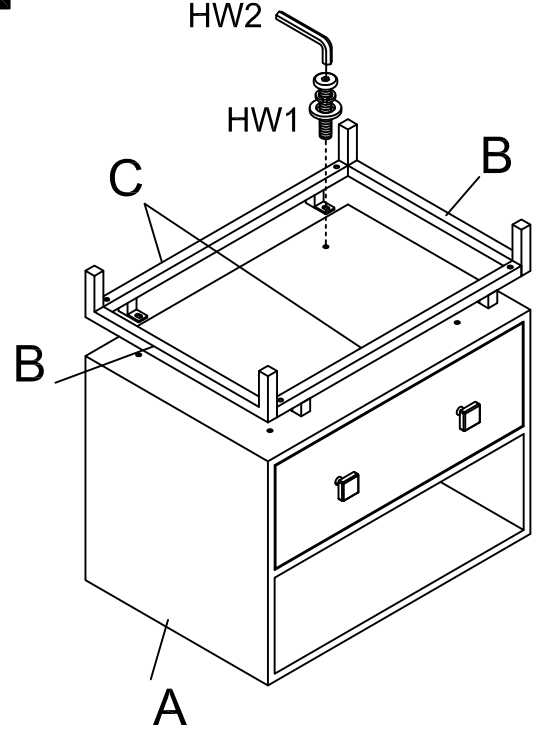
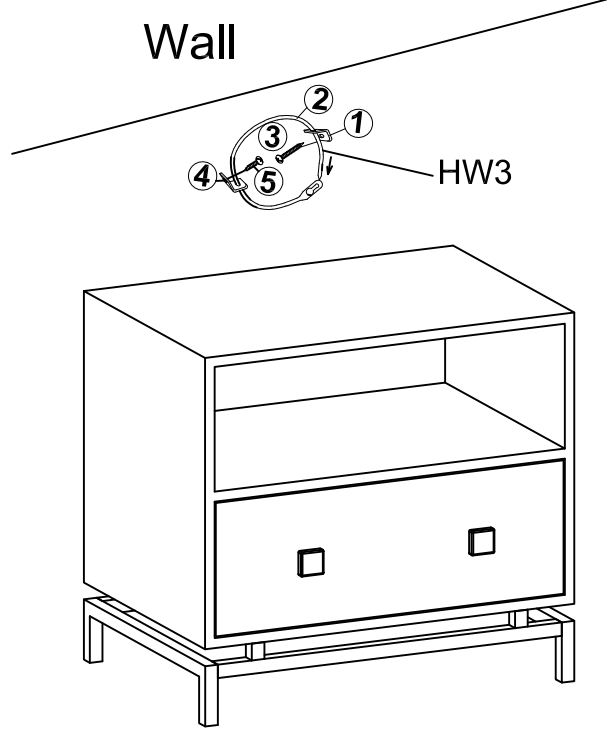
## Part List and Hardware List

PIECE	DESCRIPTION	PICTURE	QTY
A	CABINET		1 X
B	SIDE FRAME		2 X
C	CONNECTING BAR		2 X

PIECE	DESCRIPTION	PICTURE	QTY
HW1	HEX SOCKET BOLT 1/4"-20 * 0.5"		8 X
HW2	ALLEN KEY 4mm		1 X
HW3	Anti-Tip Hardware		1 X

## PREPARATION

- \* Before beginning assembly of product, make sure all parts are present. Compare parts with part contents list and hardware contents list.
- \* If any part is missing or damaged, do not attempt to assemble the product.
- \* Estimated Assembly Time: 15 minutes.
- \* Tools Required for Assembly (included): Allen key.
- \* If you are having difficulty, our friendly Customer Care team is always here to help.

<p><b>1</b></p> 	<p><b>2</b></p> 	<p><b>3</b></p> <p>Wall</p> 
<p><b>Step 1:</b> Insert the protrusions on the 2*Side frames (B) into the tube of Connecting bar (C). Using the Allen Key (HW2) to lock with 4*Hex Socket Bolts (HW1).</p>	<p><b>Step 2:</b> Attach the assembled metal base to underneath of cabinet(A), using Allen Key (HW2) to lock with 4*Allen bolts (HW1).</p>	<p><b>Step 3:</b> Straighten up the assembled product. Following the installation instructions of anti-tipping (HW4) to fix the product in the wall by 1*strap. Assembly is completed.</p>