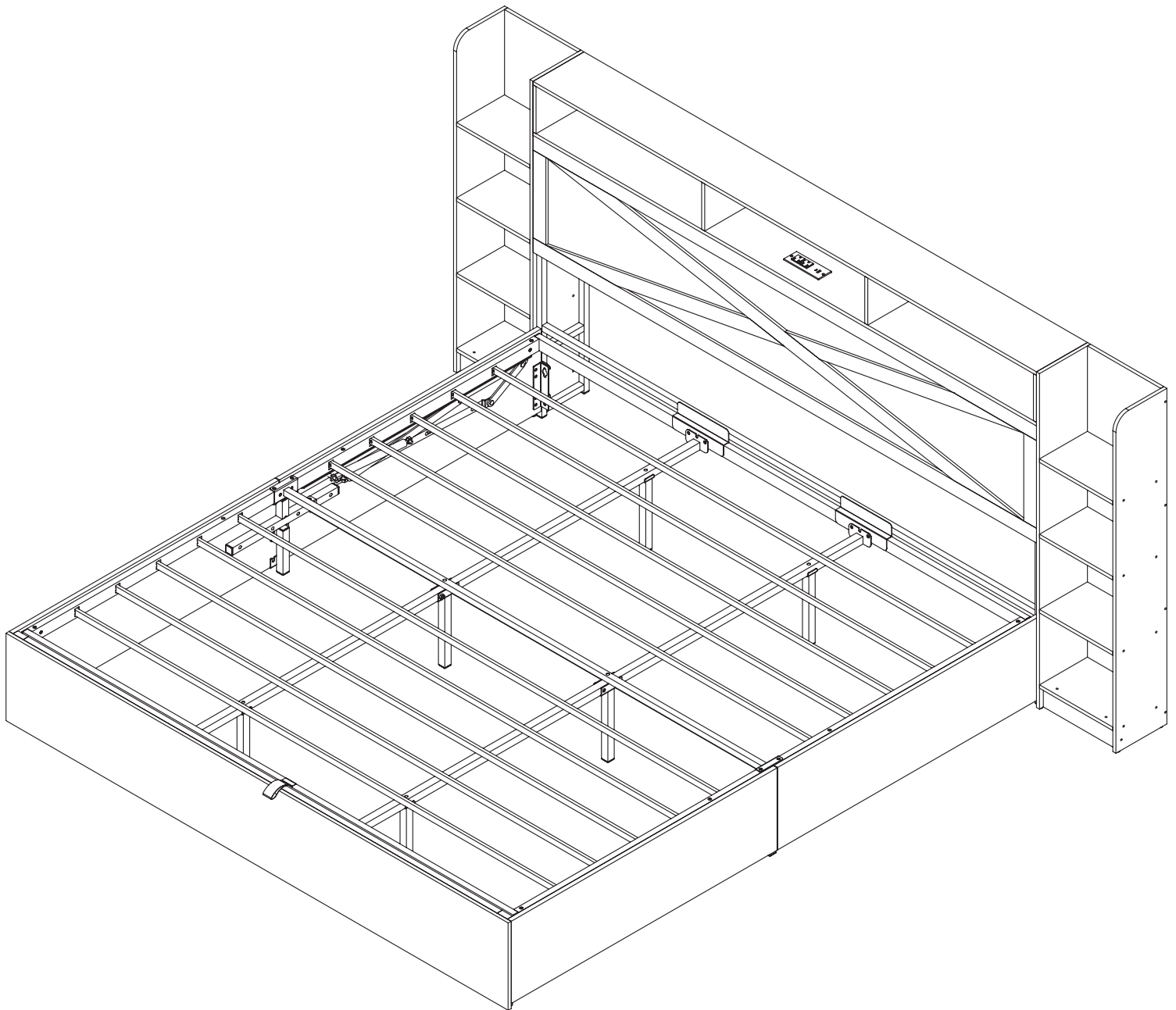


Panel bed-K Assembly Instructions



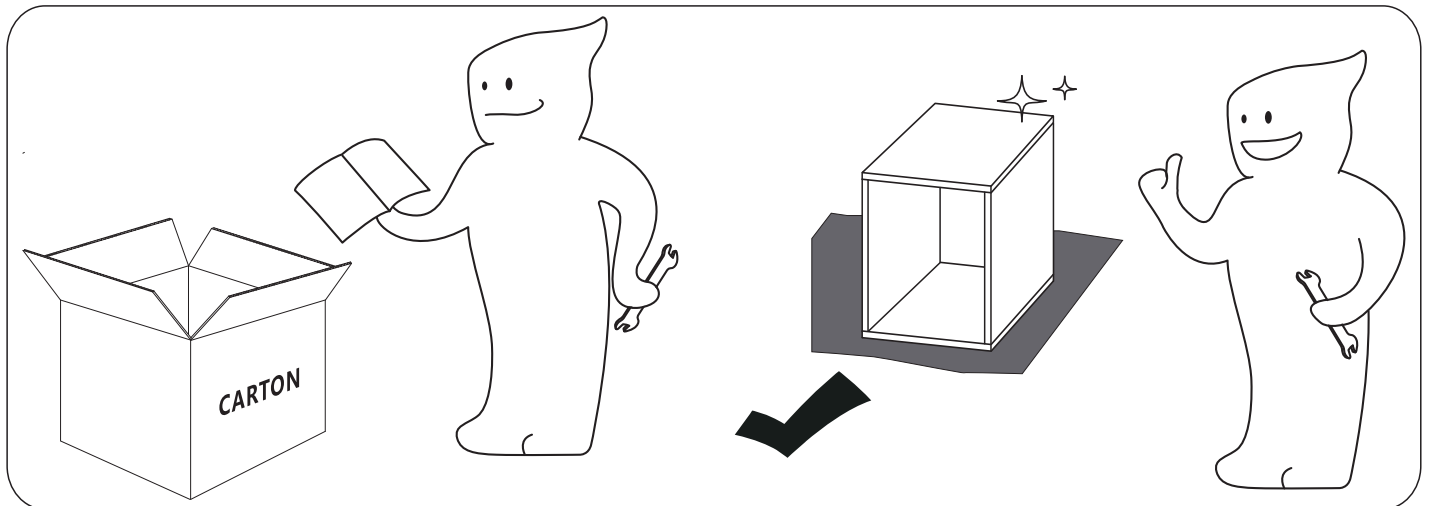
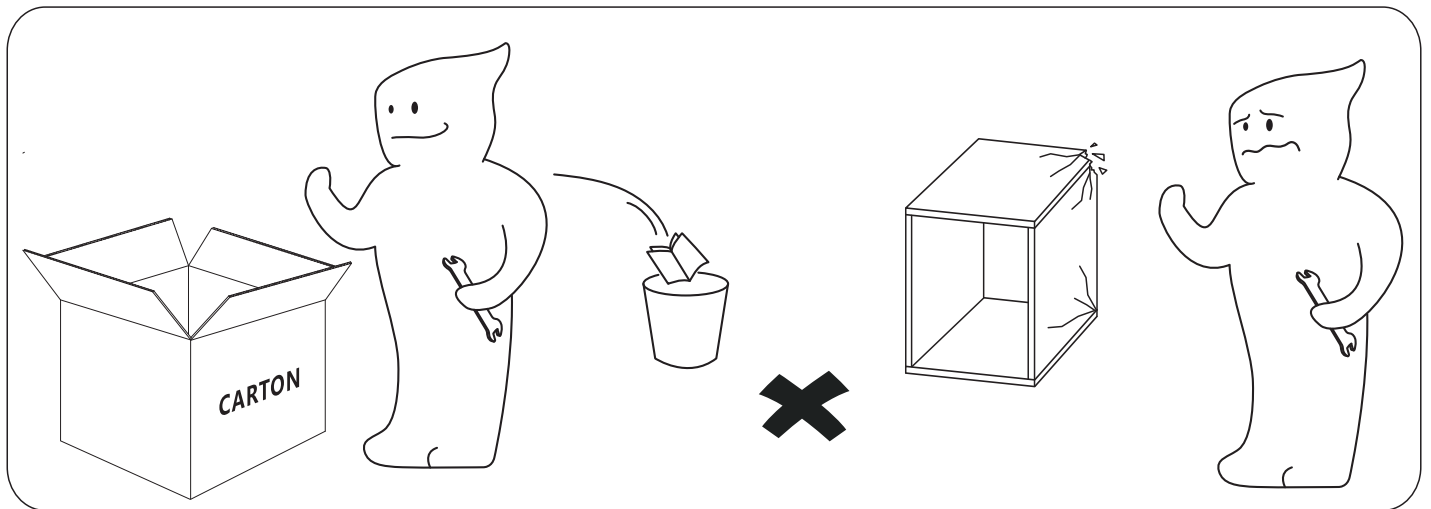
Dear Customers,

Thank you for purchasing our product. Please read this instruction manual carefully after receiving this product. It will help you assemble this product quickly, safely and correctly. You can keep this manual for future reference.

MADE IN CHINA

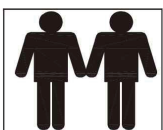
! IMPORTANT

Please follow the instruction manuals and use a pad to protect the product during your assembly.



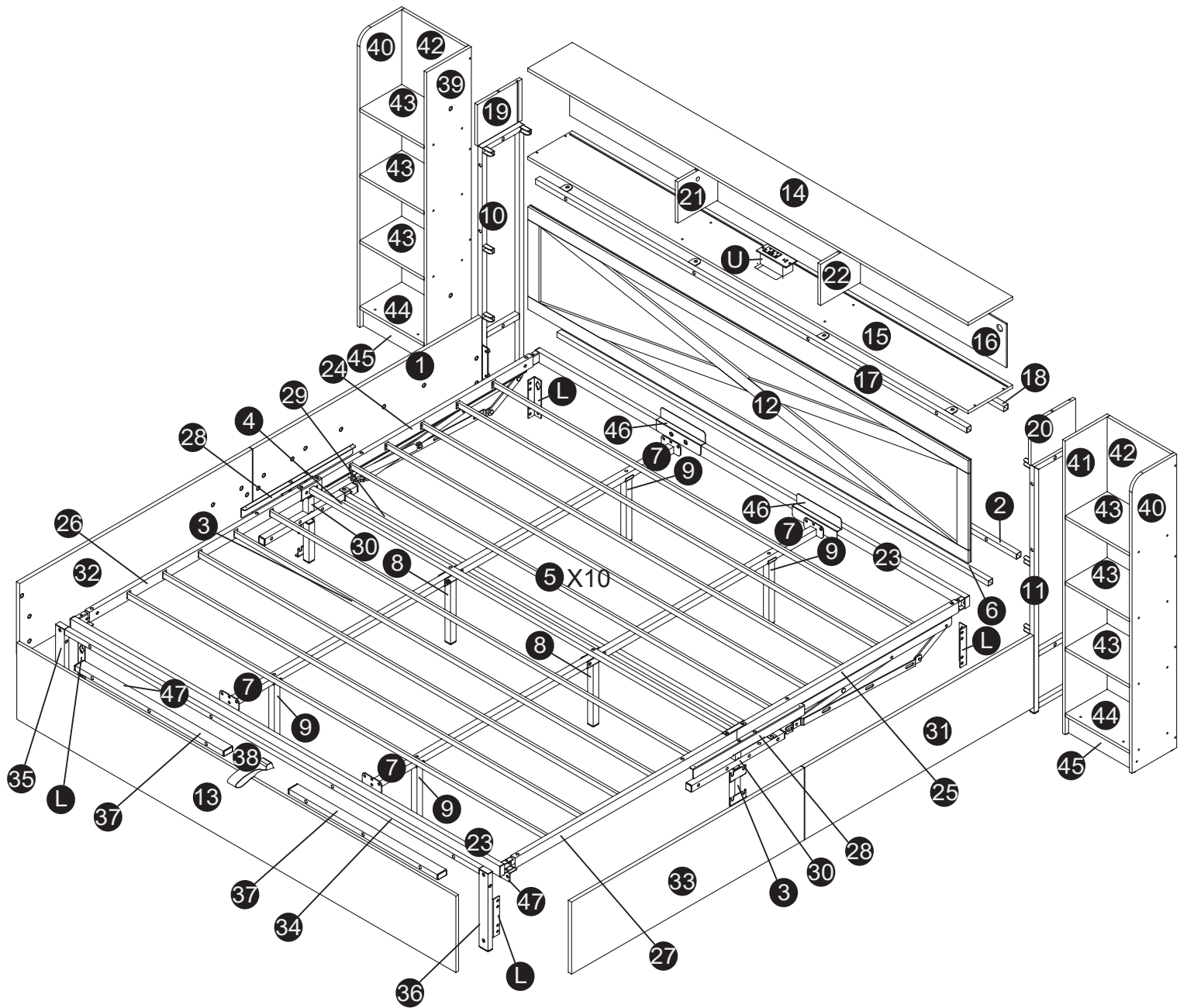
Note:

1. Should be assembled on flat ground to keep balance.
2. Before completing the installation, do not tighten the screws.



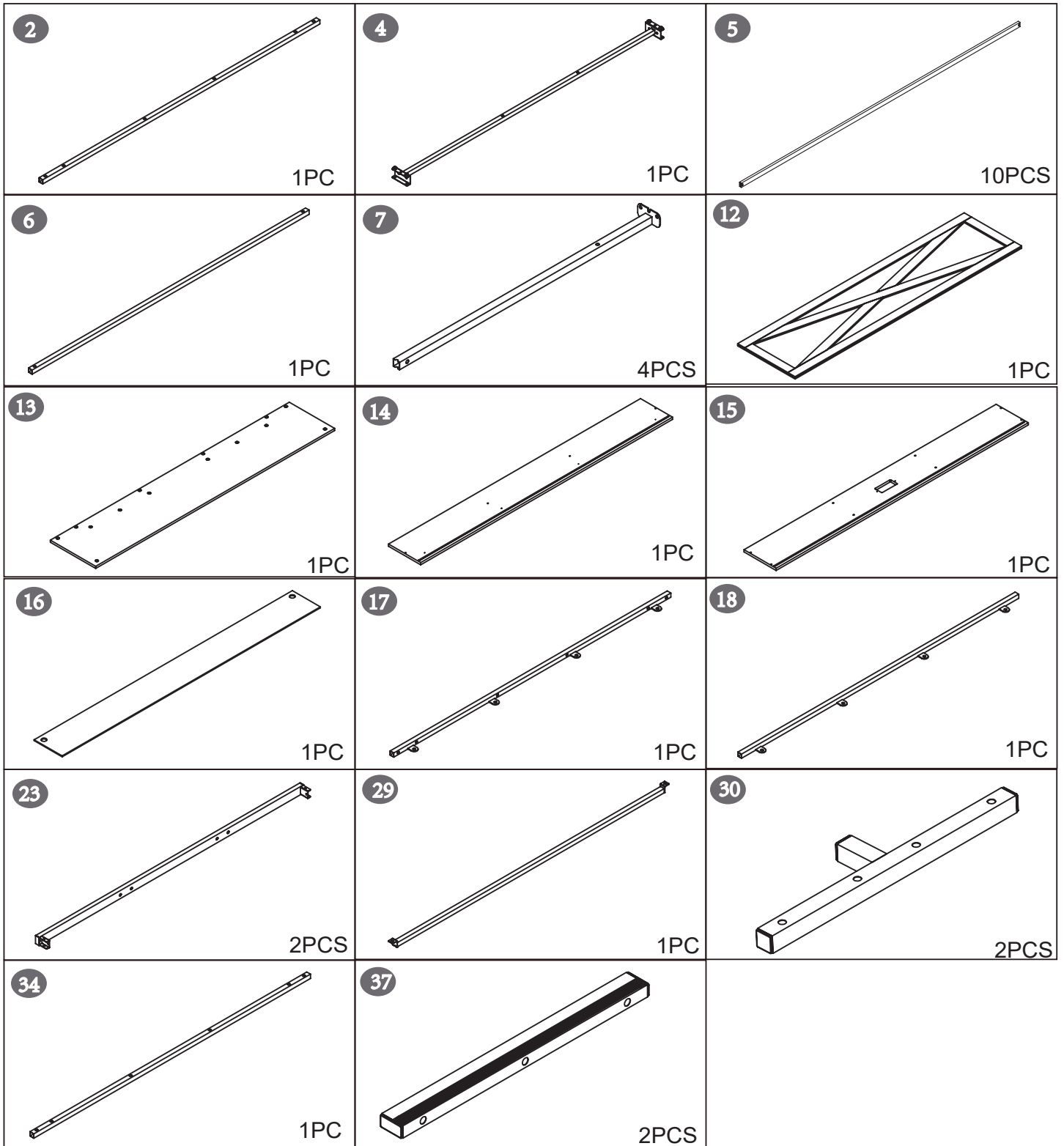
For easier and better assembly, **2** or more adults are required.

ASSEMBLY INSTRUCTIONS



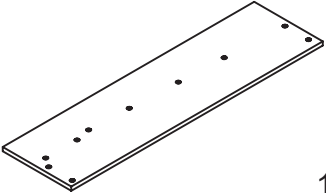
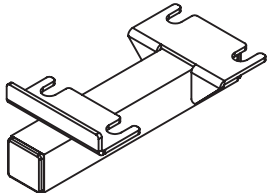
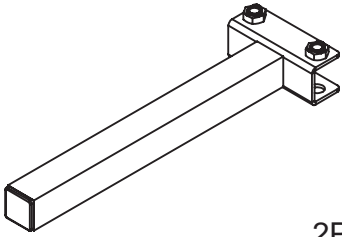
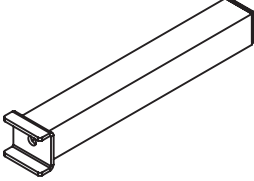
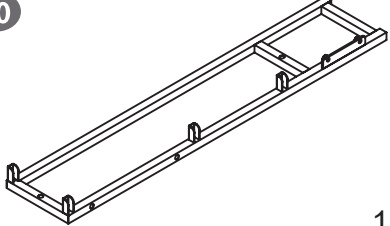
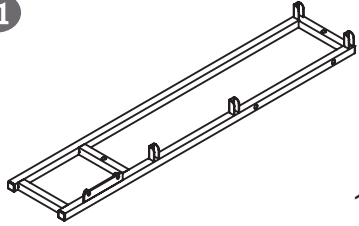
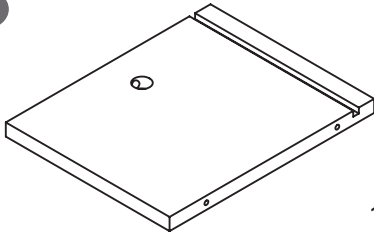
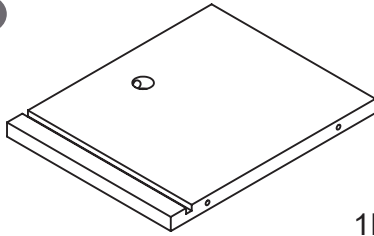
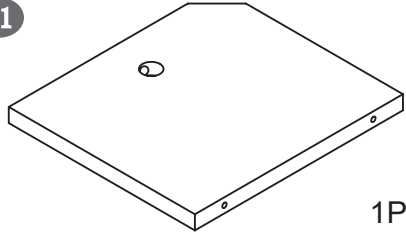
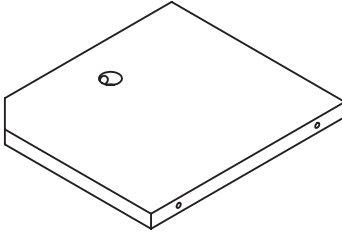
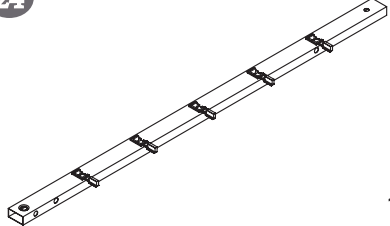
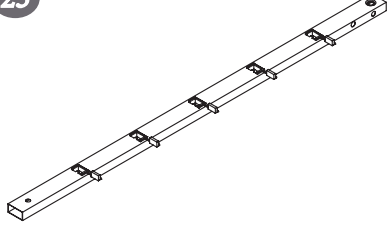
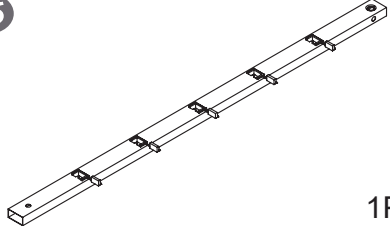
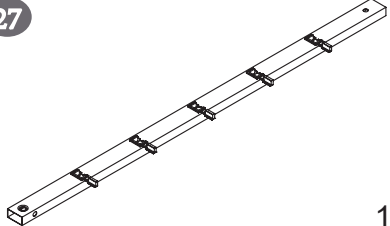
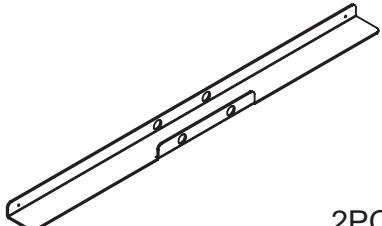
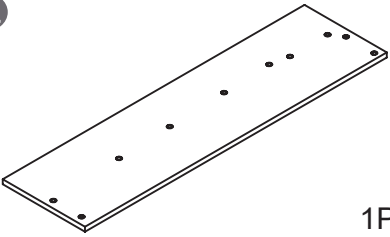
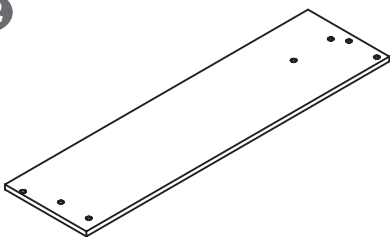
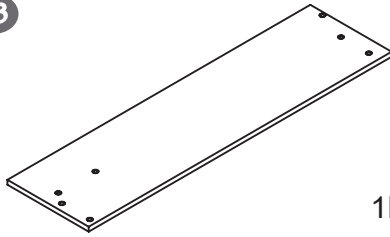
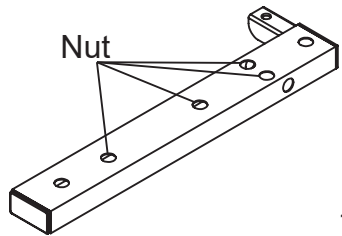
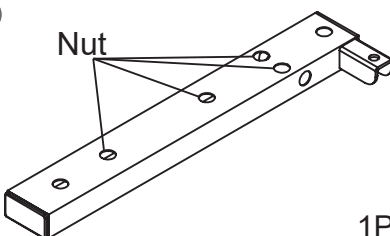

ASSEMBLY INSTRUCTIONS

The box 1



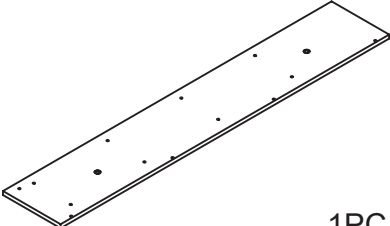
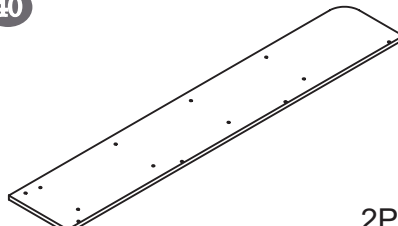
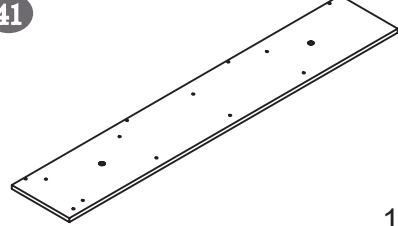
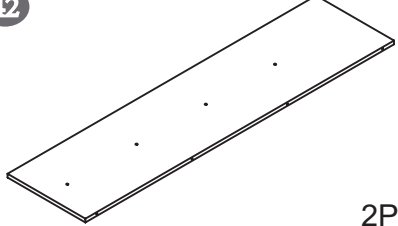
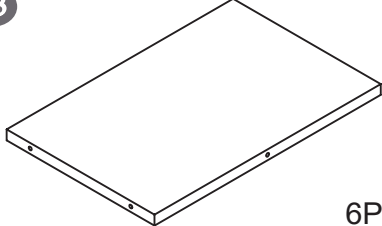
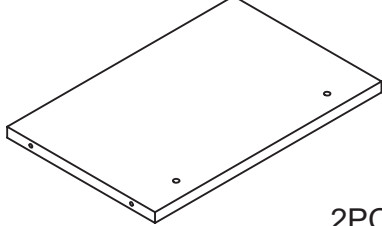
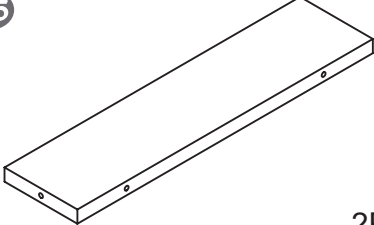
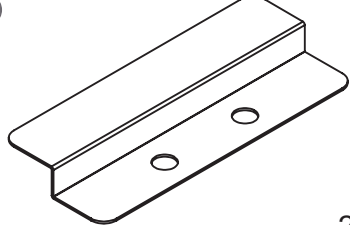
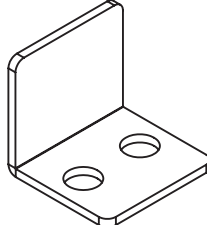
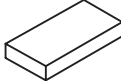
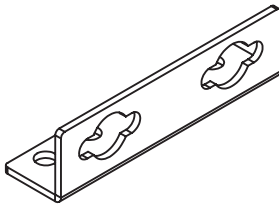
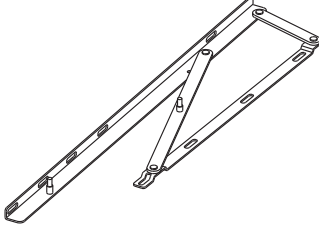
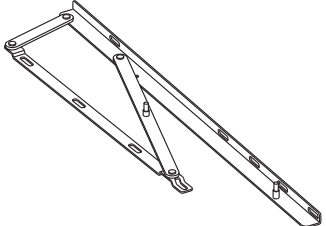
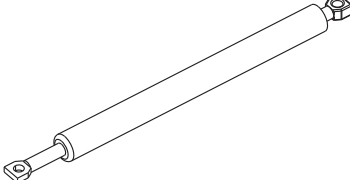
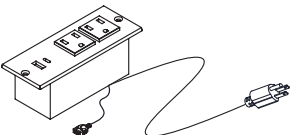

ASSEMBLY INSTRUCTIONS

The box 2

<p>1</p>  <p>1PC</p>	<p>3</p>  <p>2PCS</p>	<p>8</p>  <p>2PCS</p>
<p>9</p>  <p>4PCS</p>	<p>10</p>  <p>1PC</p>	<p>11</p>  <p>1PC</p>
<p>19</p>  <p>1PC</p>	<p>20</p>  <p>1PC</p>	<p>21</p>  <p>1PC</p>
<p>22</p>  <p>1PC</p>	<p>24</p>  <p>1PC</p>	<p>25</p>  <p>1PC</p>
<p>26</p>  <p>1PC</p>	<p>27</p>  <p>1PC</p>	<p>28</p>  <p>2PCS</p>
<p>31</p>  <p>1PC</p>	<p>32</p>  <p>1PC</p>	<p>33</p>  <p>1PC</p>
<p>35</p>  <p>1PC</p>	<p>36</p>  <p>1PC</p>	<p>38</p>  <p>1PC</p>


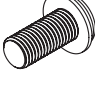


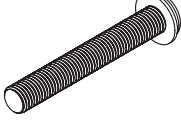
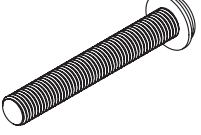
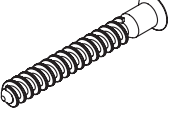
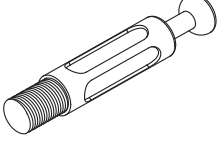
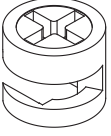
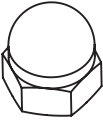

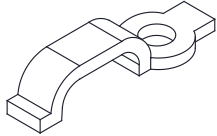
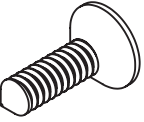
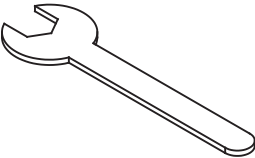
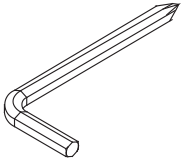
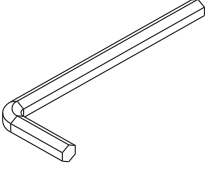
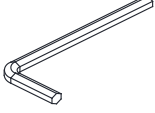
ASSEMBLY INSTRUCTIONS

The box 2 continued

39  1PC	40  2PCS	41  1PC
42  2PCS	43  6PCS	44  2PCS
45  2PCS	46  2PCS	47  2PCS
48  3PCS	L  4PCS	Q1  1PC
Q2  1PC	Q3  2PCS	U  1PC
K  1PC		

ASSEMBLY INSTRUCTIONS

The list of vacuum-formed packages in Box 2

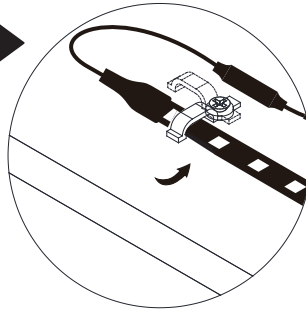
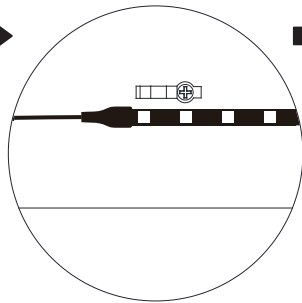
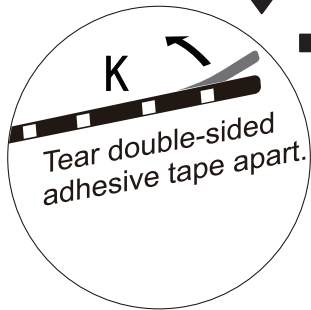
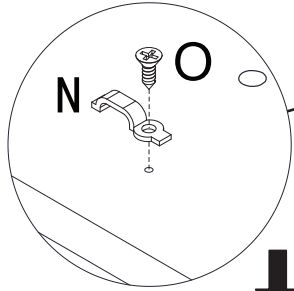
A  M8x12 68PCS	B  M8x18 Colored Zinc 16PCS	C  M8x28 24PCS
D  M8x35 16PCS	E  M8x50 Colored Zinc 8PCS	F  M8x55 6PCS
G  M5x40 72PCS	H  φ7x40 4PCS	I  φ15x9.5 4PCS
J  4PCS	M  ST4.2x12 2PCS	N  4PCS
O  ST3.2x12 4PCS	P  1PC	Q  M8 1PC
R  M8 1PC	S  M5 1PC	

Do not tighten the screws unless the installation is done. Make sure all bolts are tightly screwed before you use it.




ASSEMBLY INSTRUCTIONS

1

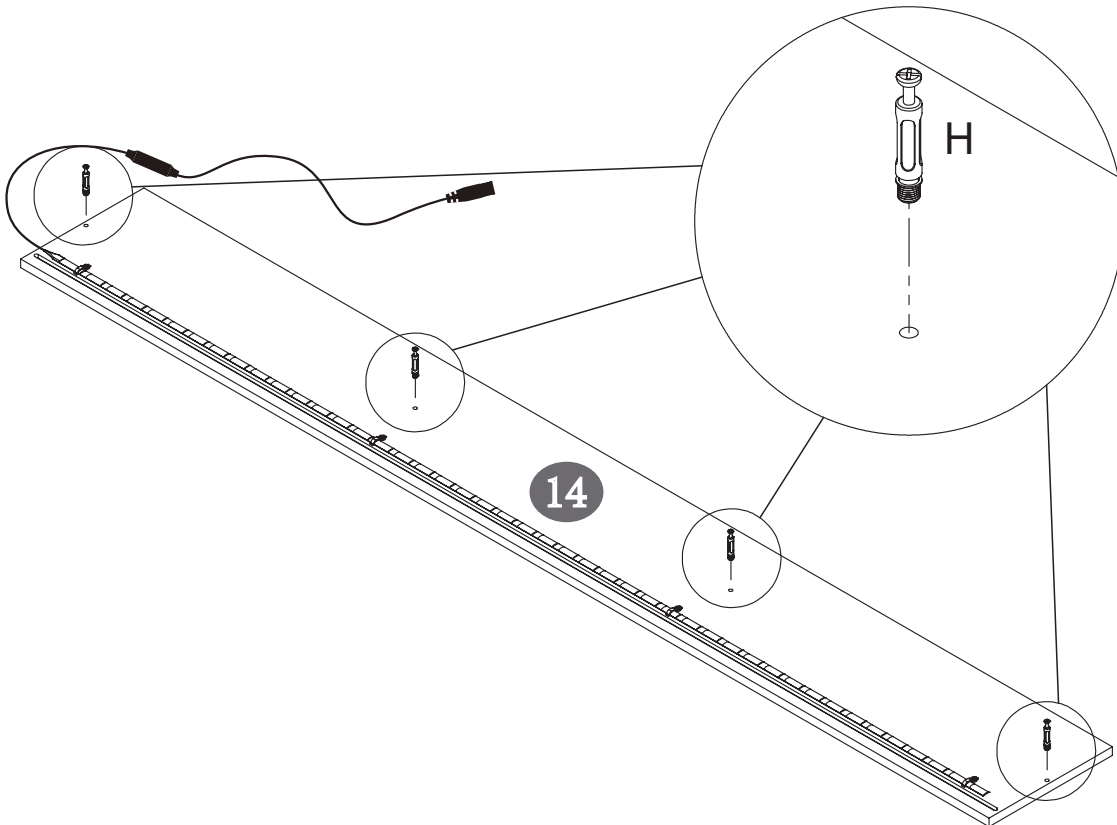
Accessory N is not locked tight at first



Fastening accessories N

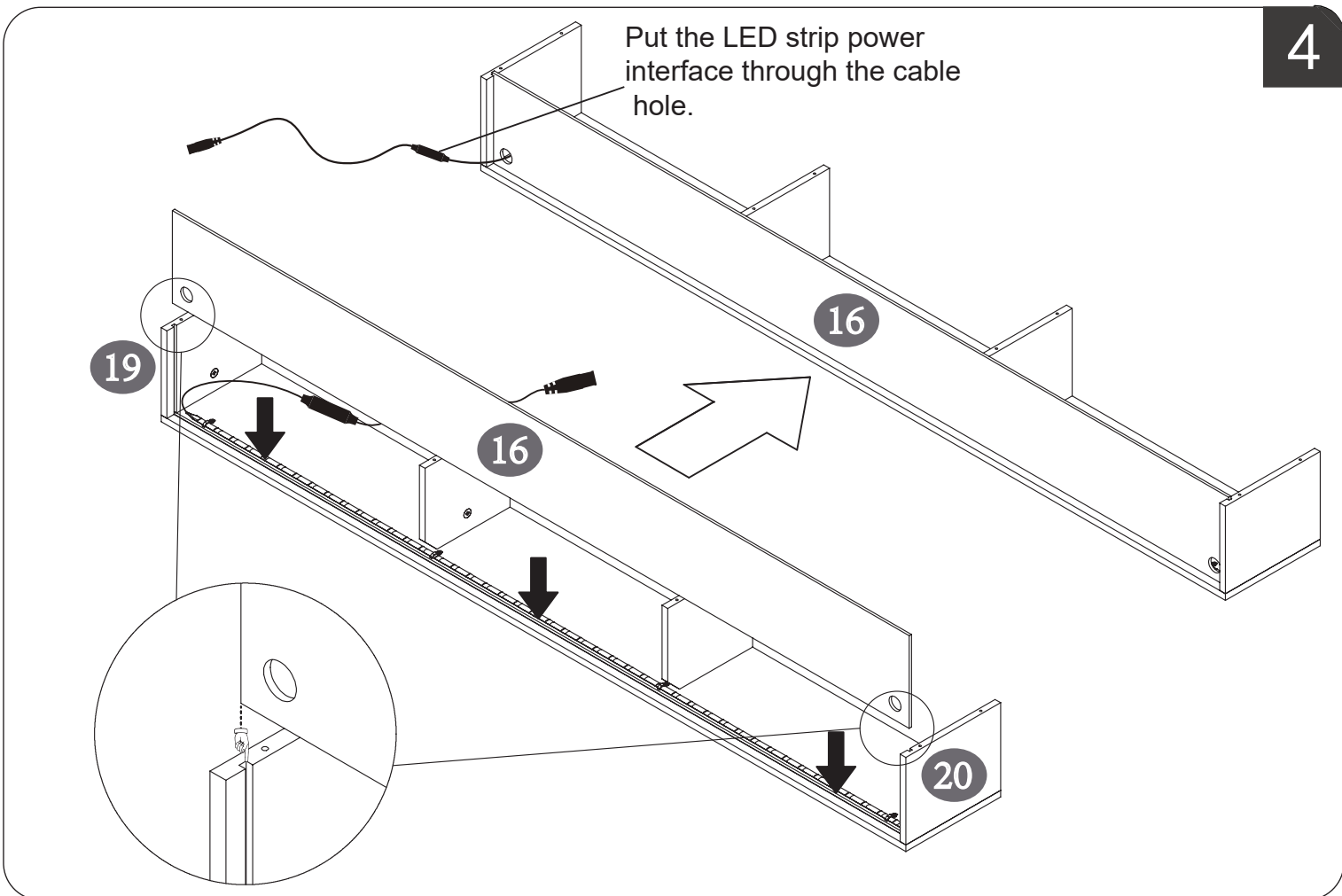
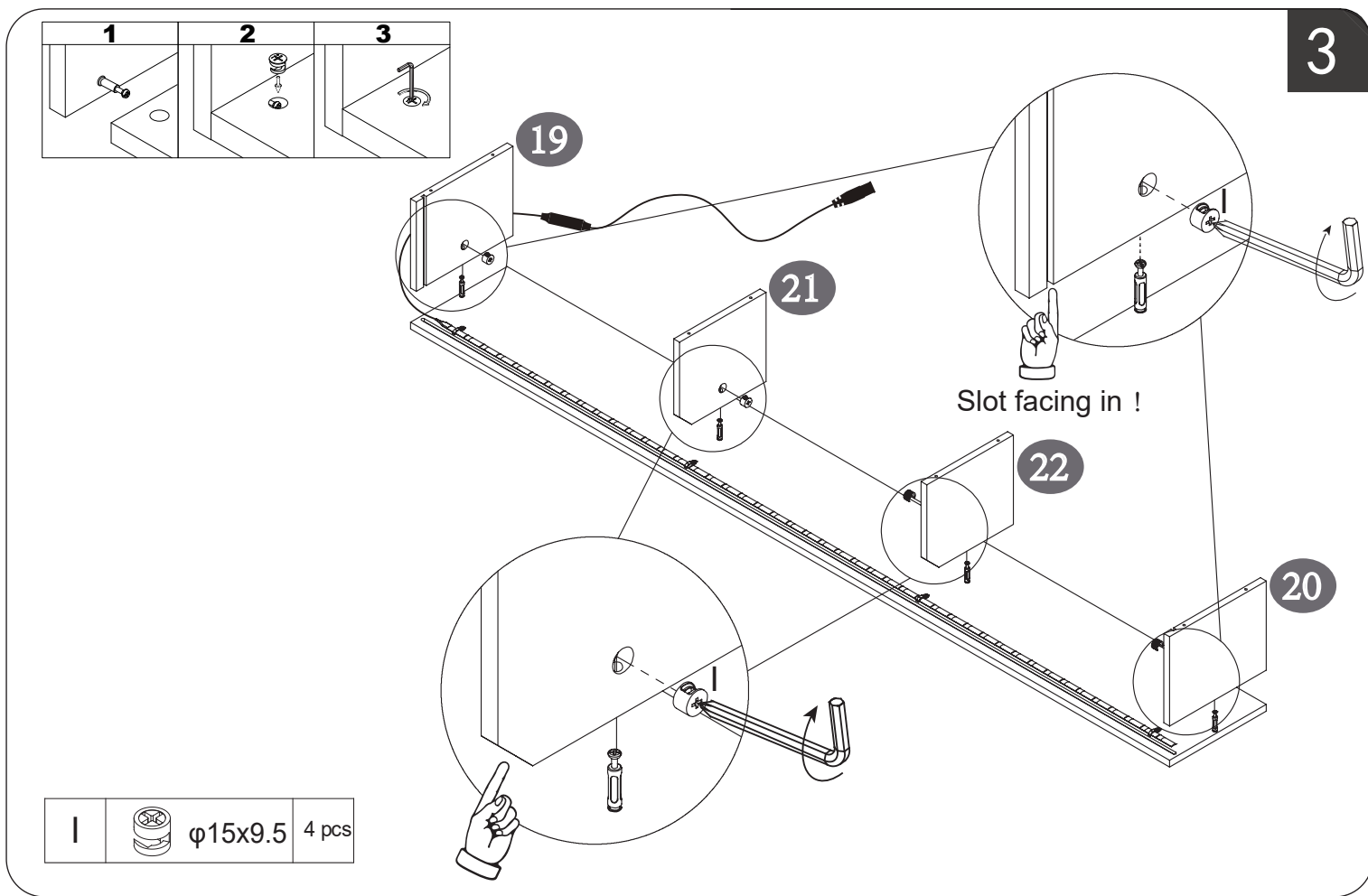
K		1pc
O	 ST3. 2x12	4pcs
N		4pcs

2

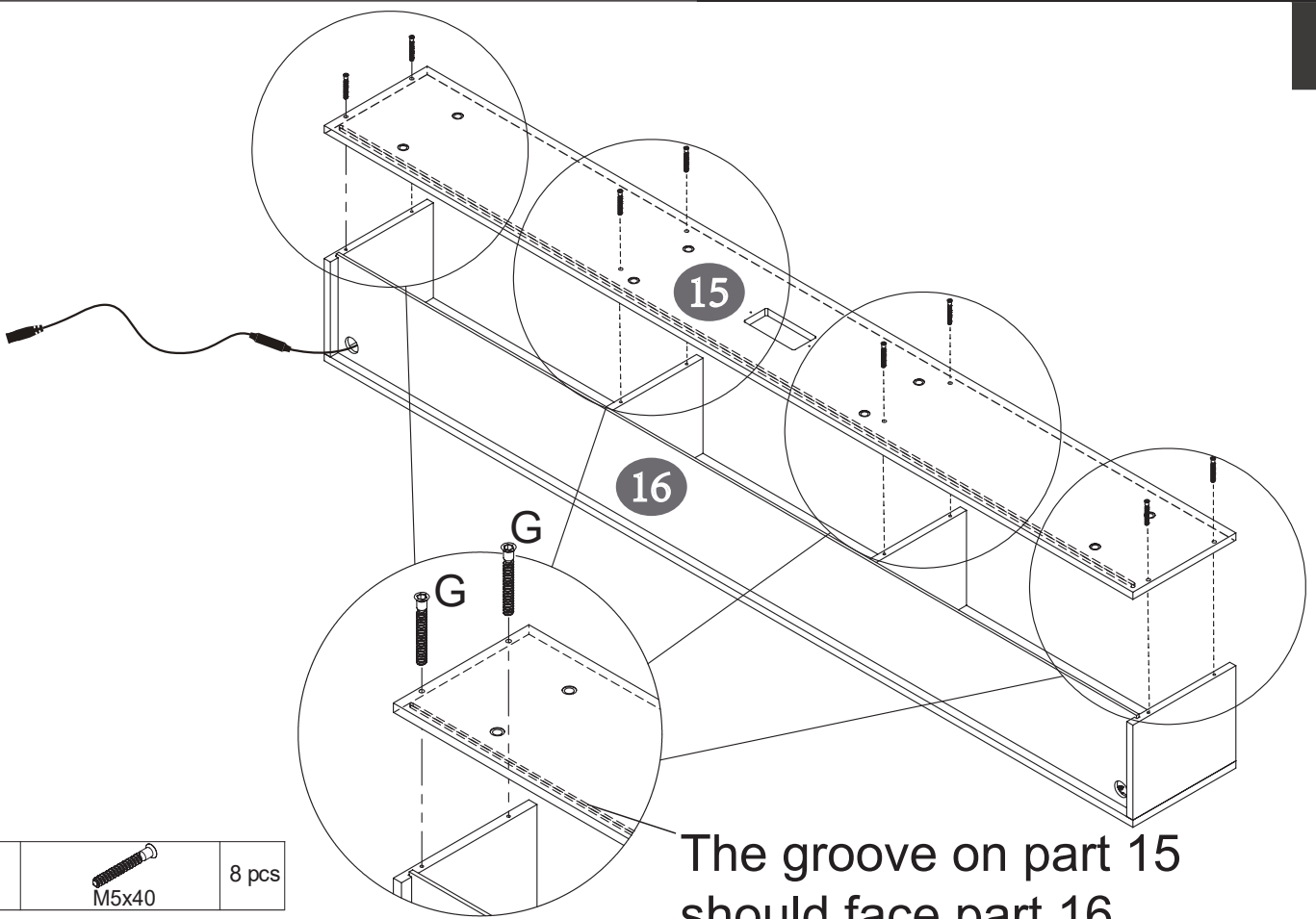


H	 φ7x40	4pcs
---	--	------

ASSEMBLY INSTRUCTIONS



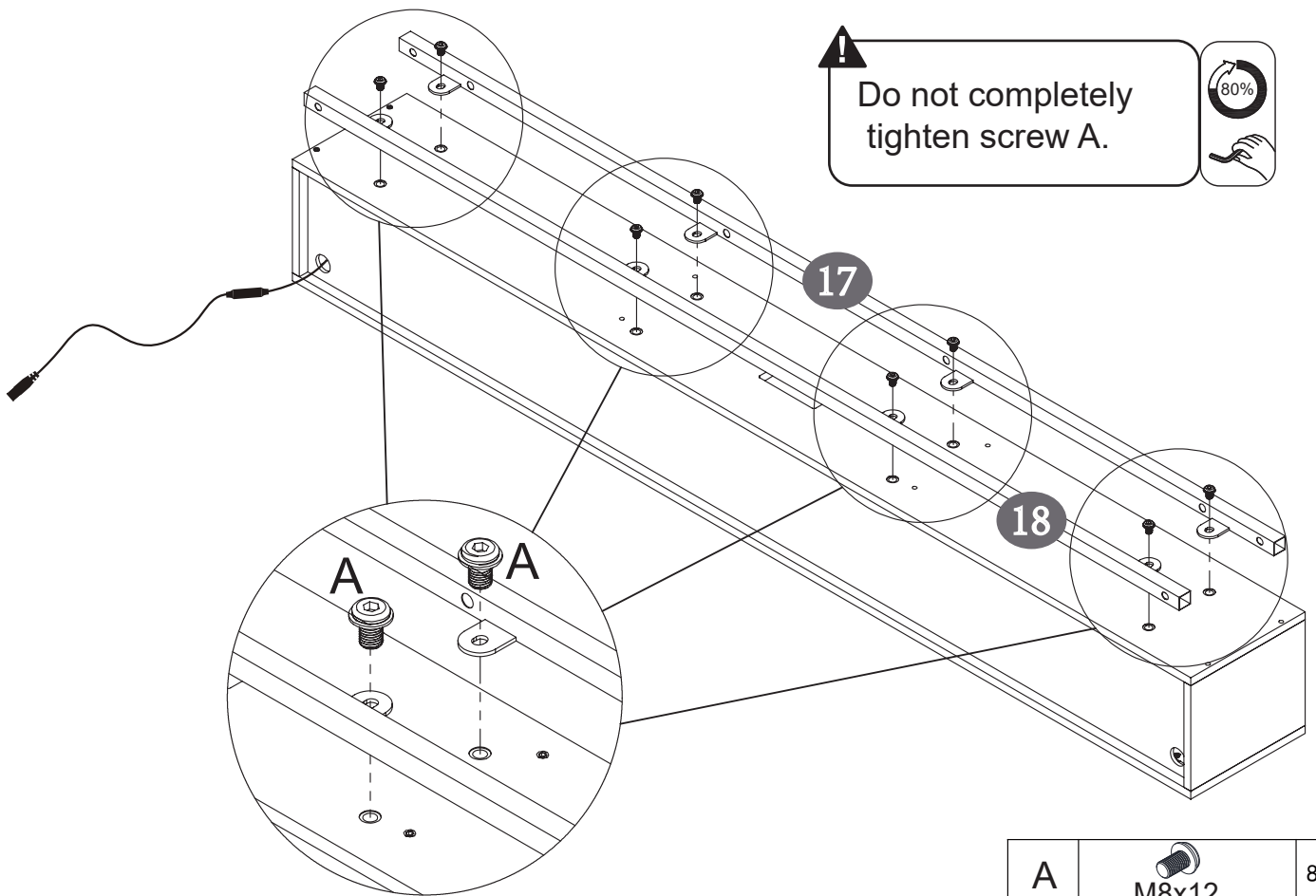
5



The groove on part 15 should face part 16.

G	 M5x40	8 pcs
---	--	-------

6



! Do not completely tighten screw A.

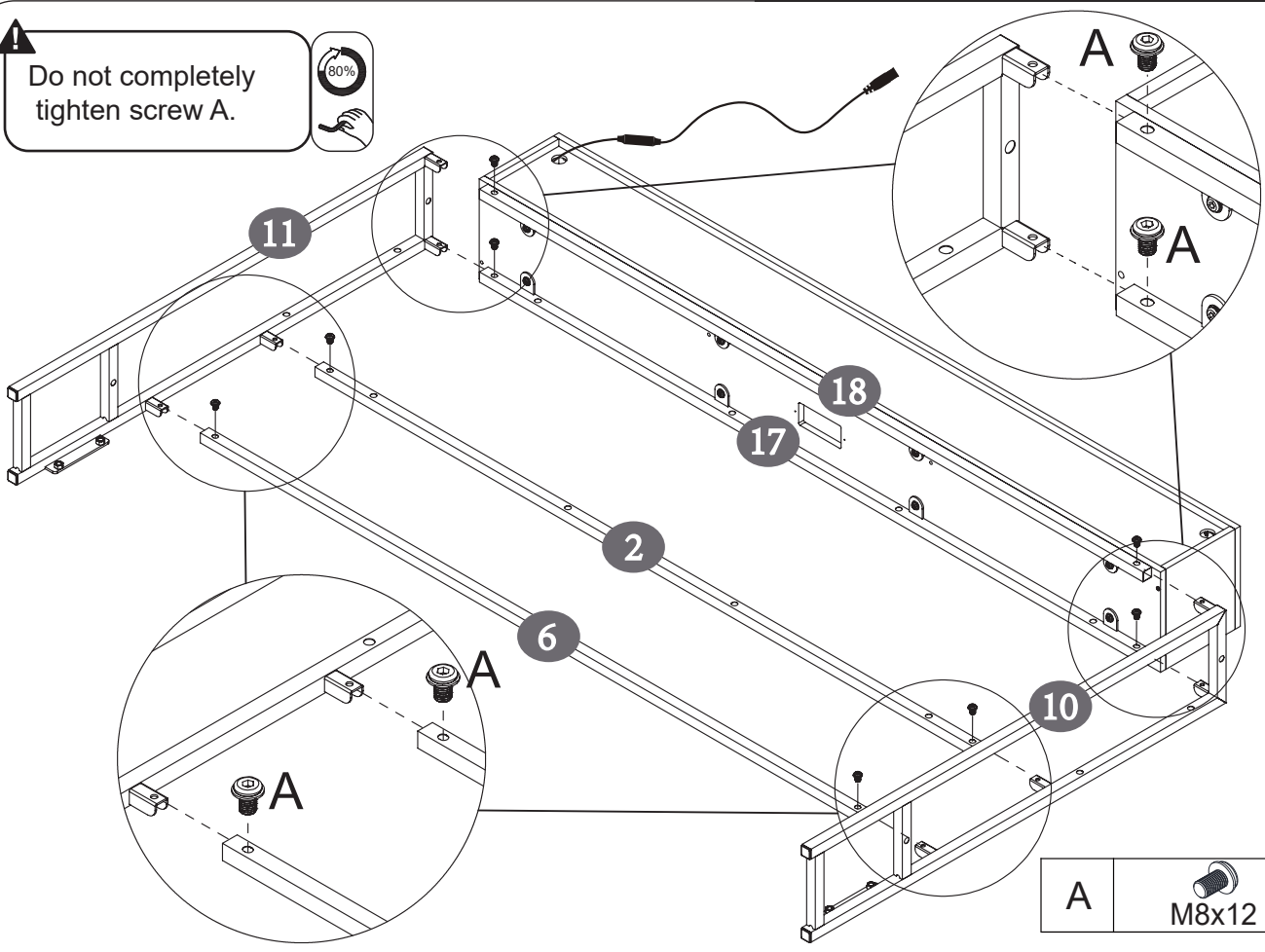


A	 M8x12	8 pcs
---	--	-------

ASSEMBLY INSTRUCTIONS

7

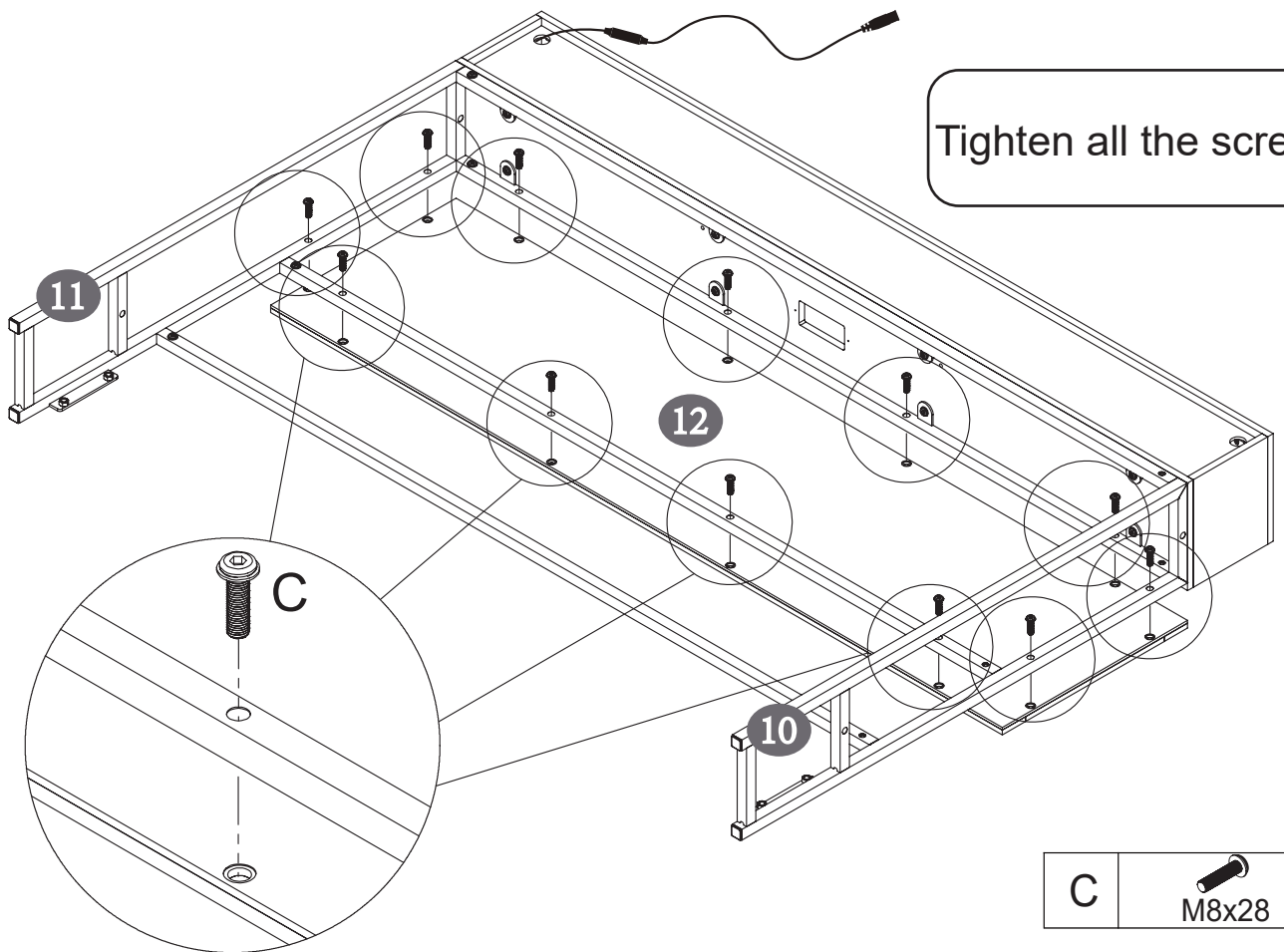
⚠ Do not completely tighten screw A.




A		8pcs
---	---	------

8

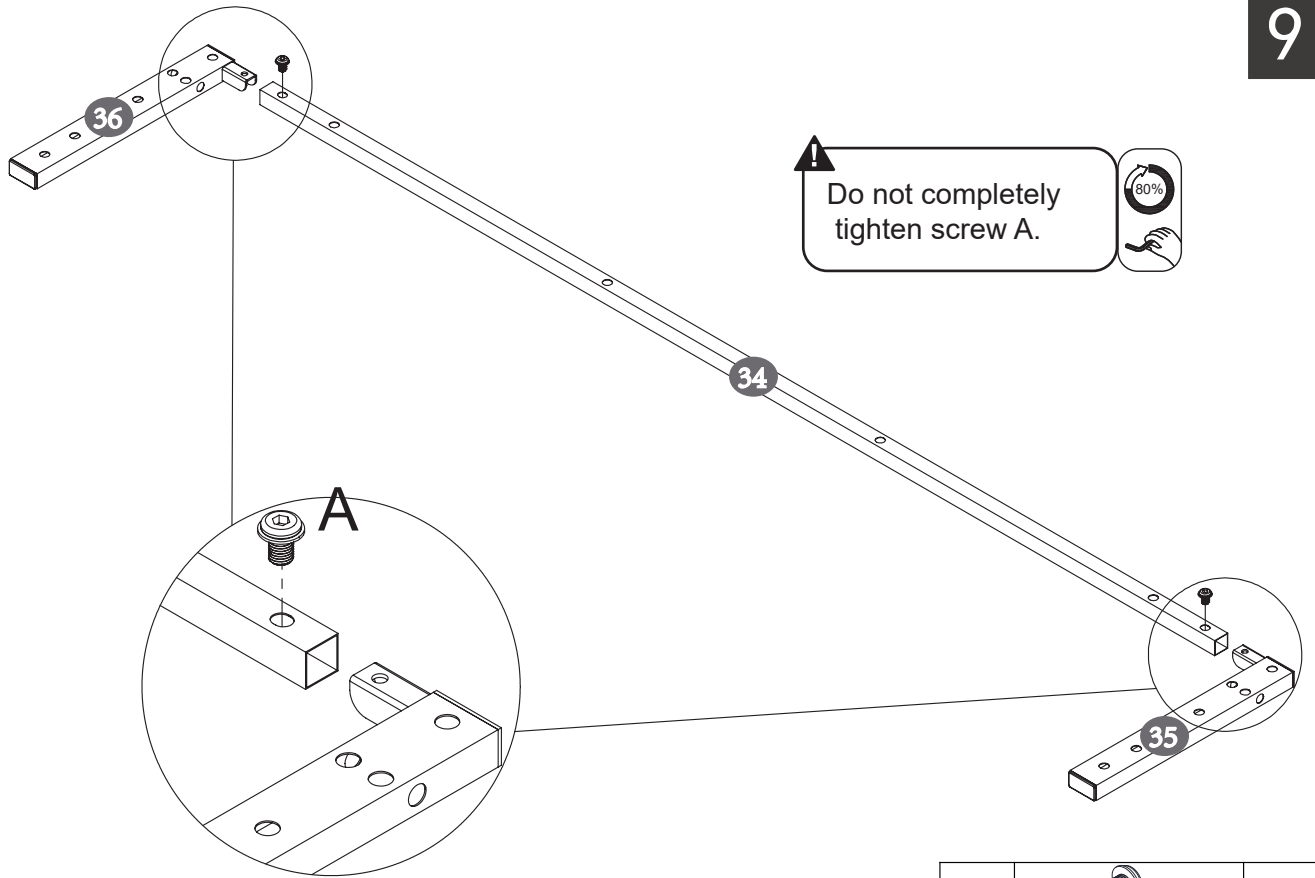
Tighten all the screws.



C		12pcs
---	---	-------

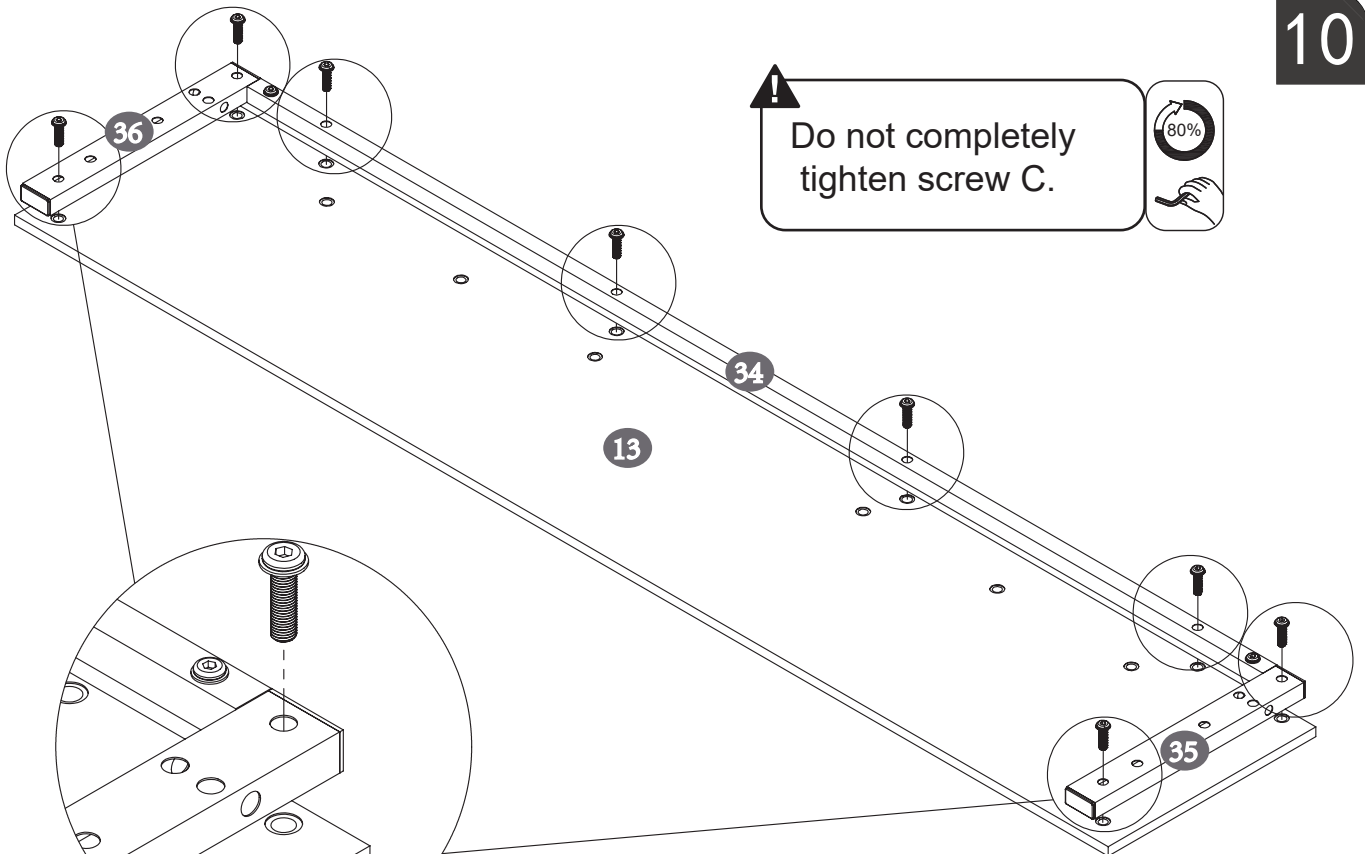
ASSEMBLY INSTRUCTIONS

9



A		2pcs
---	---	------

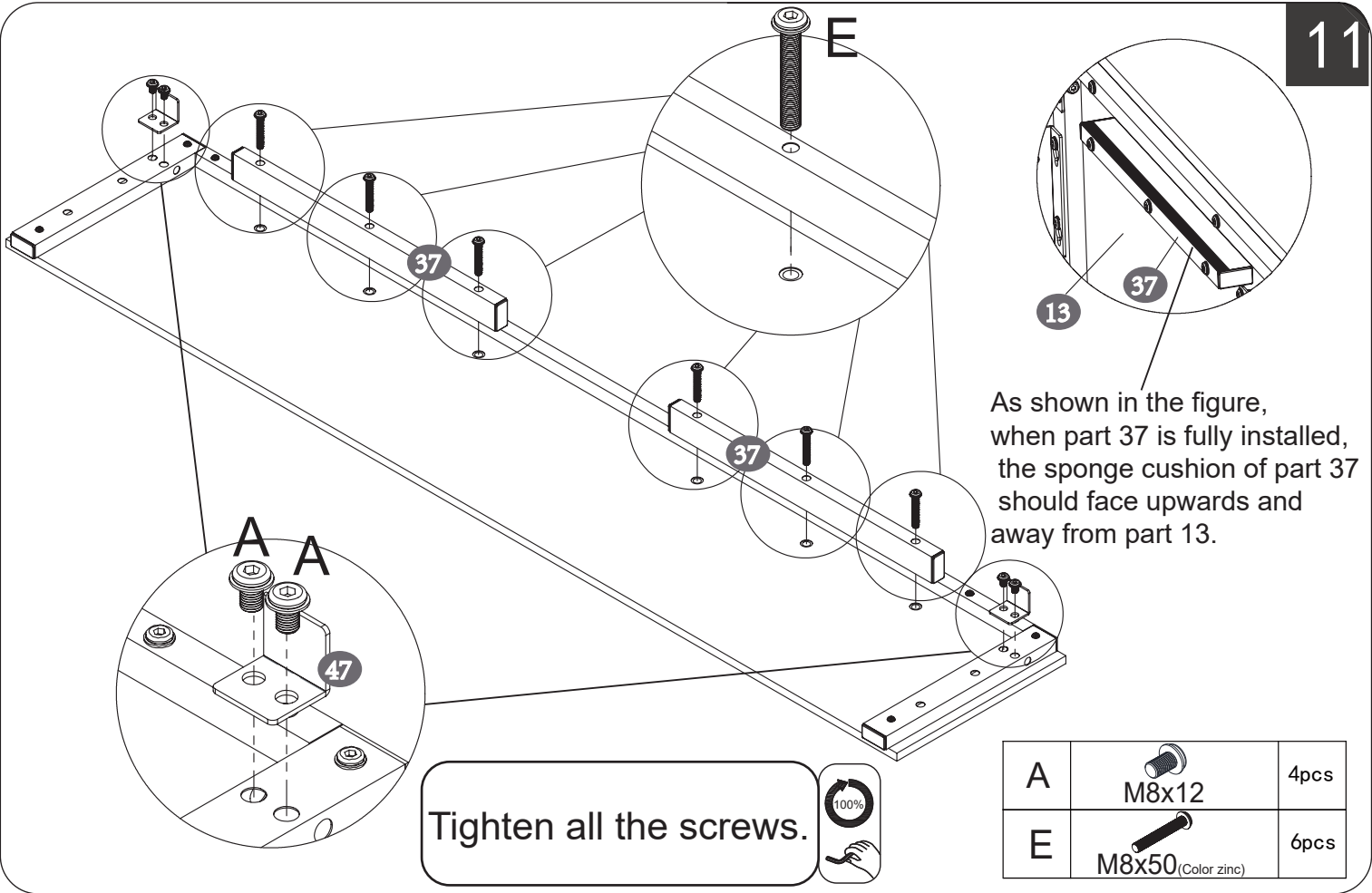
10



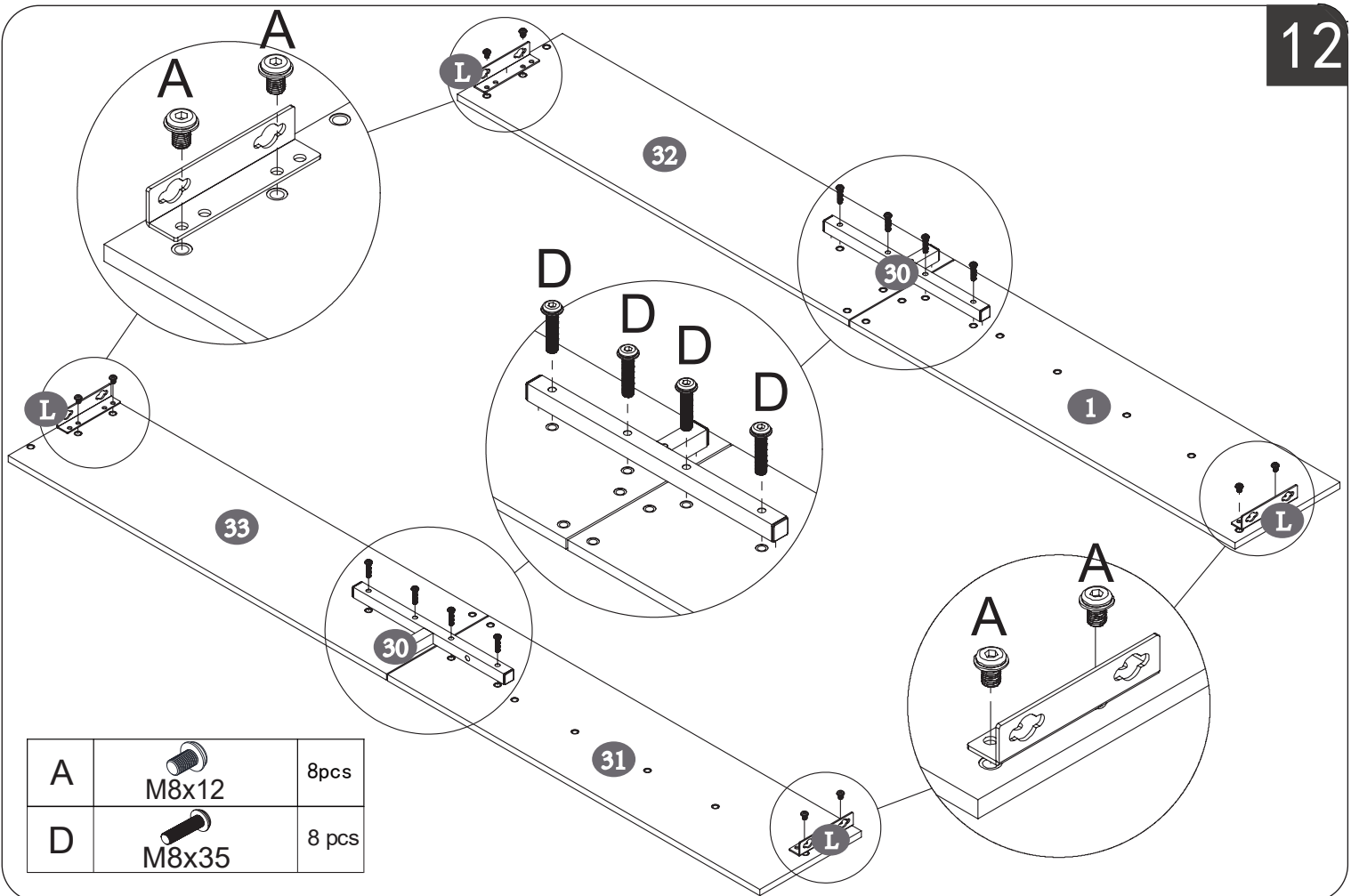
C		8pcs
---	---	------

ASSEMBLY INSTRUCTIONS

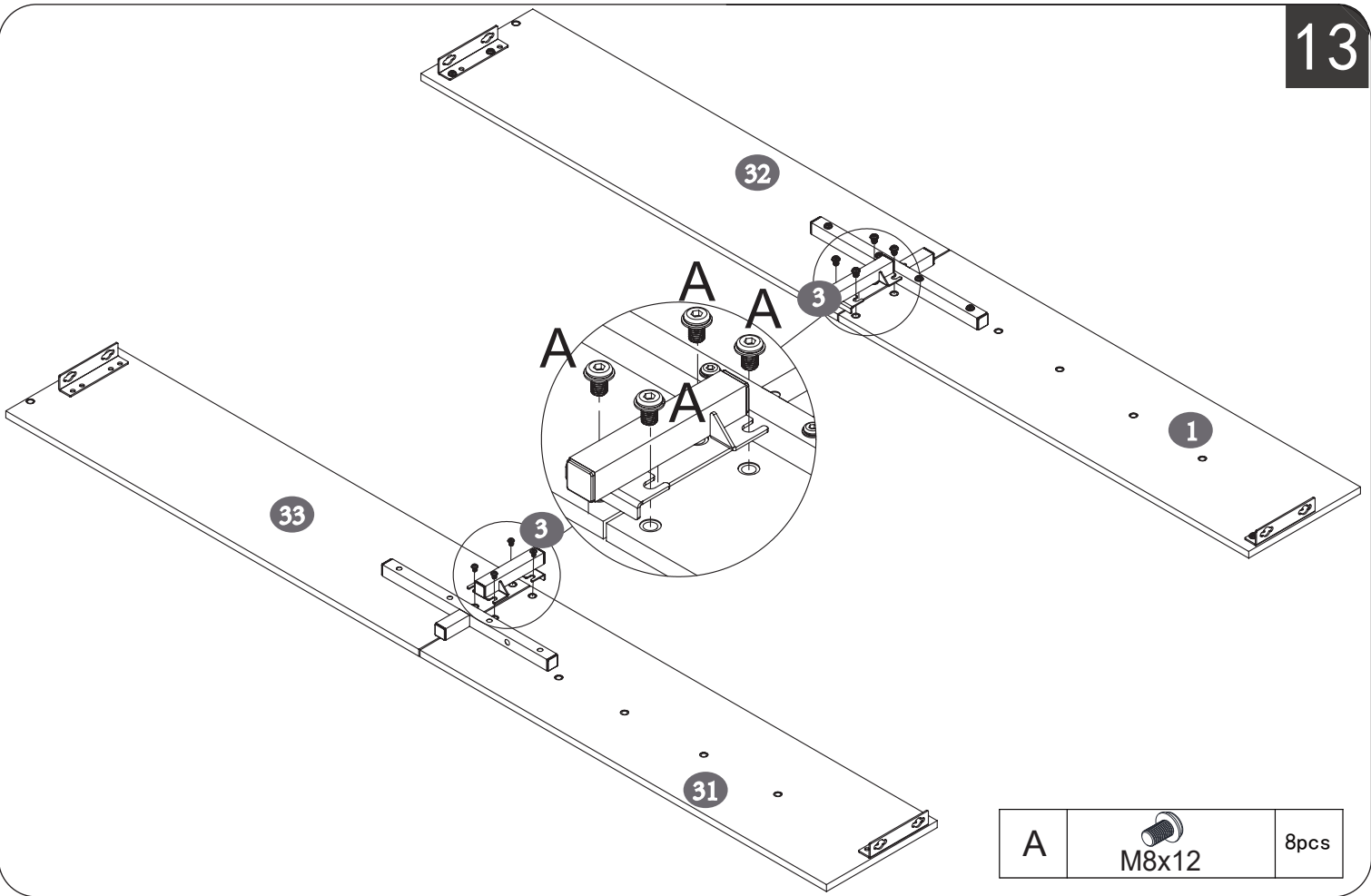
11



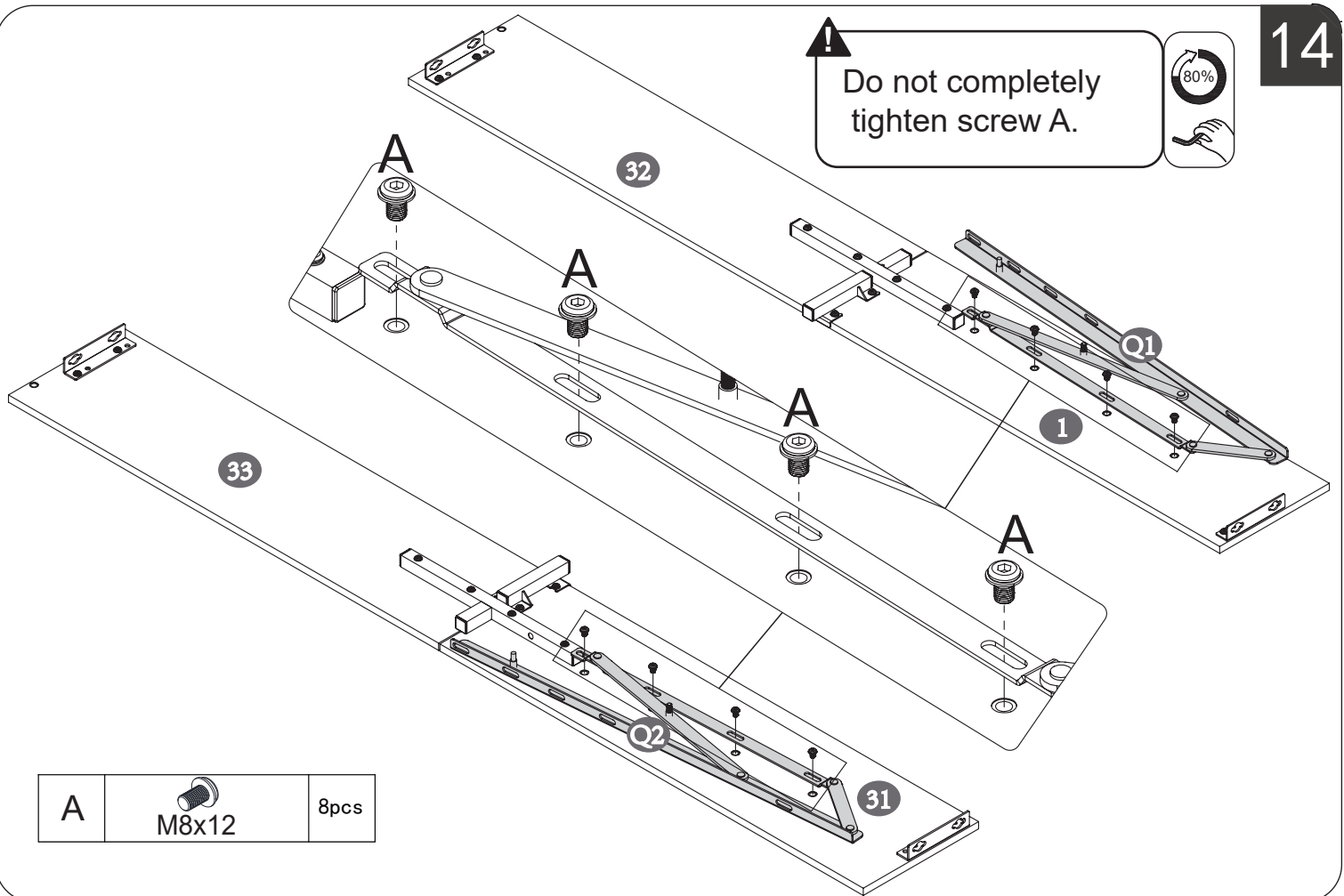
12



13

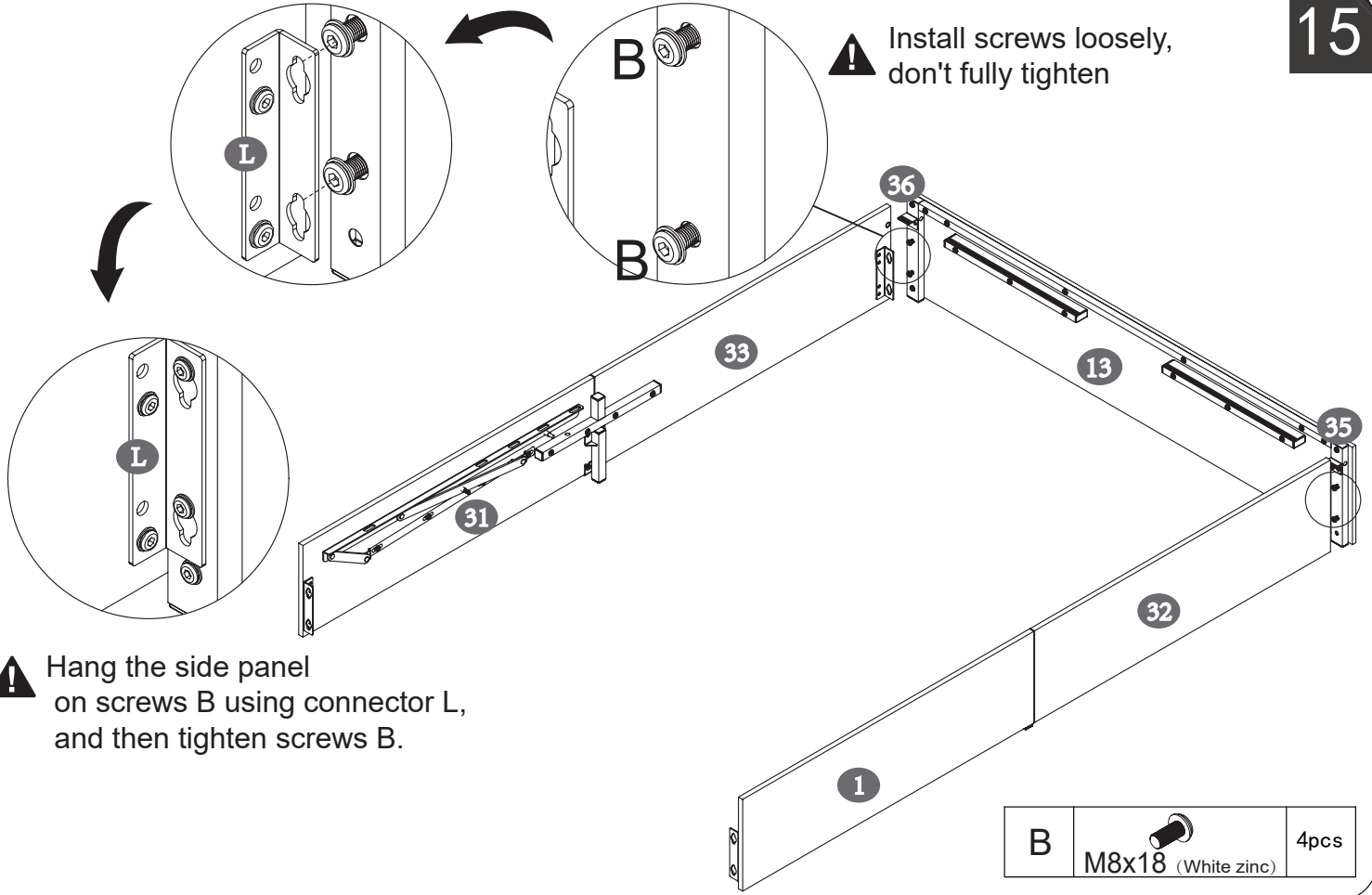


14

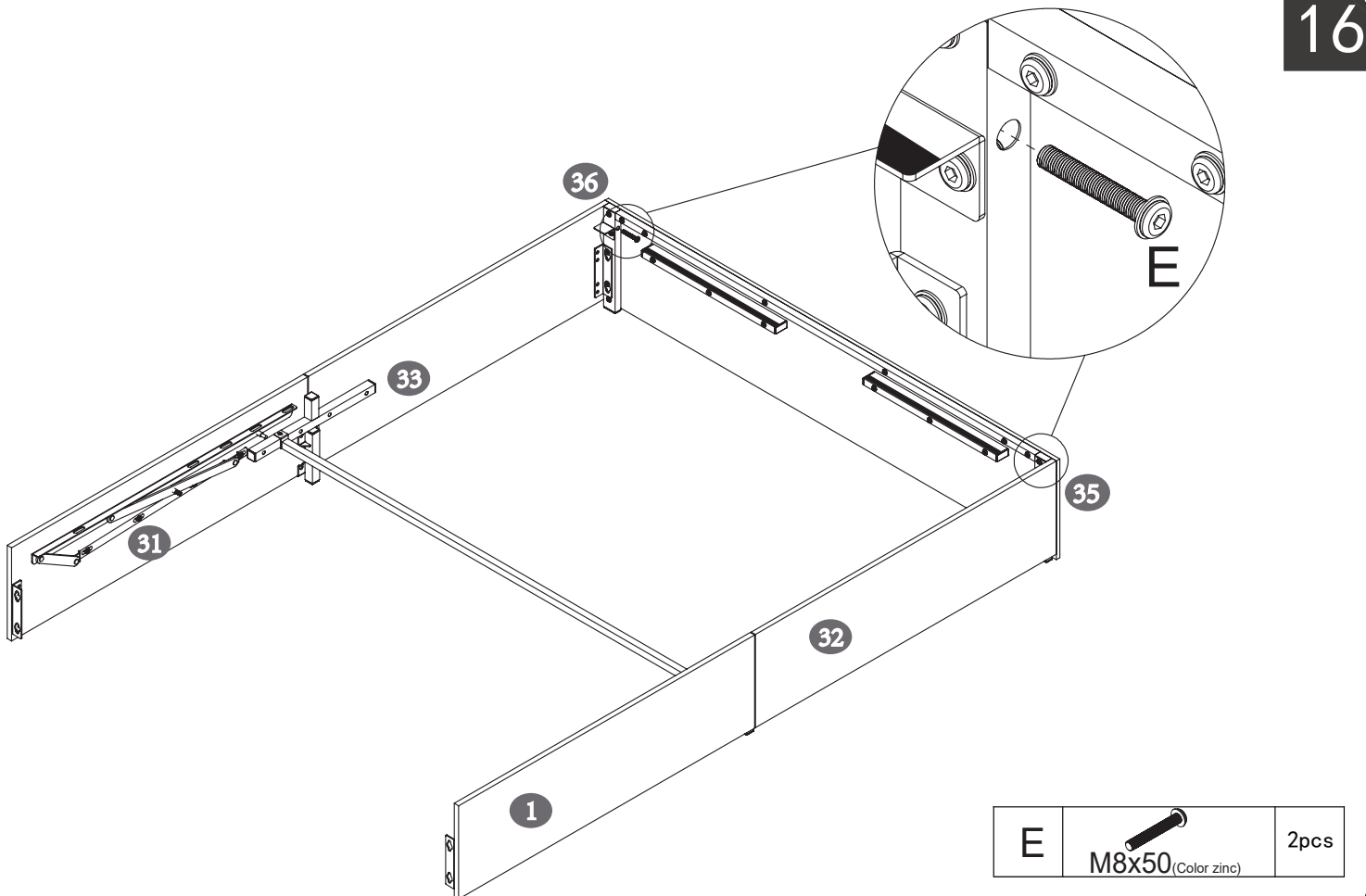


ASSEMBLY INSTRUCTIONS

15

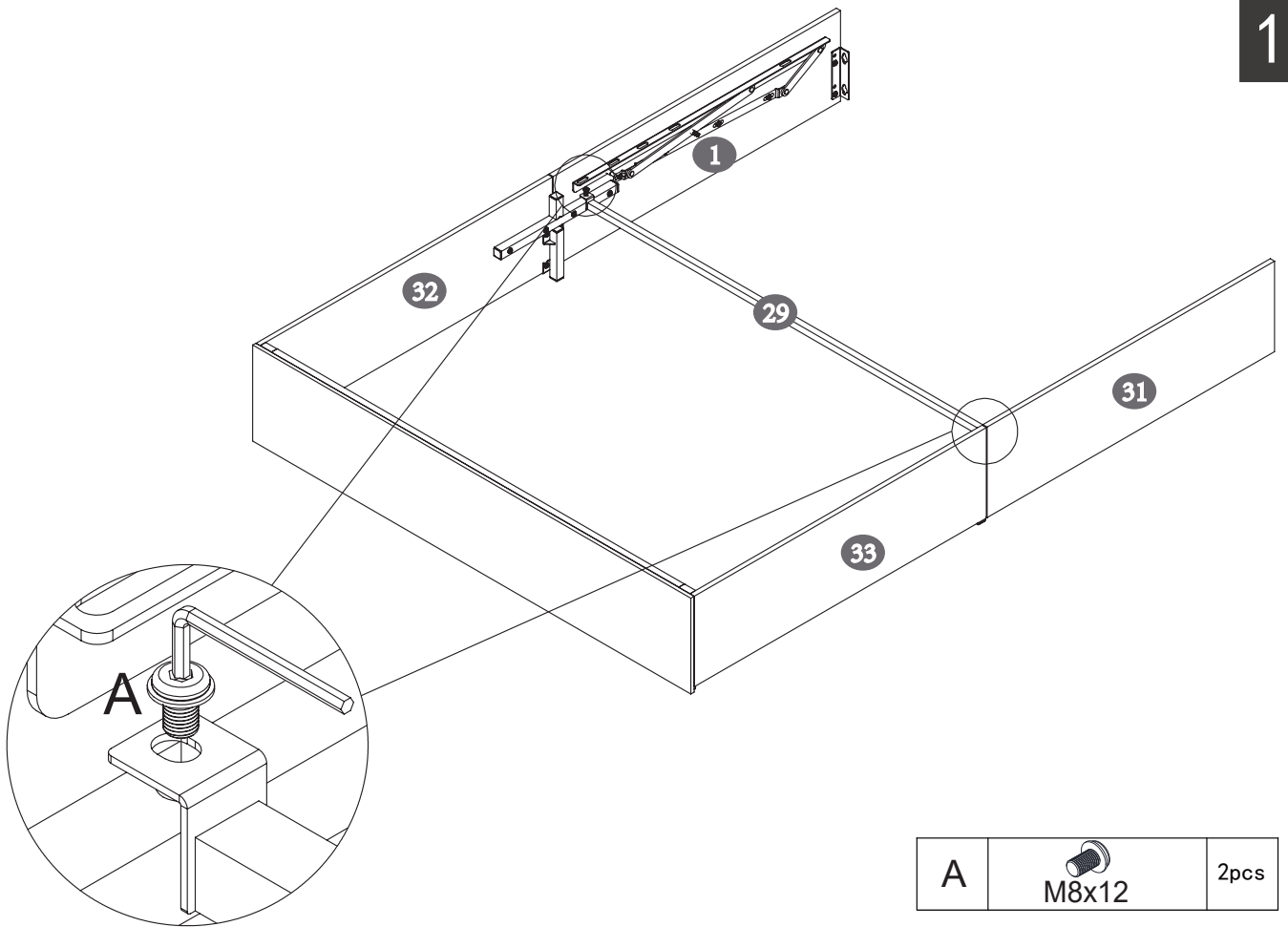


16

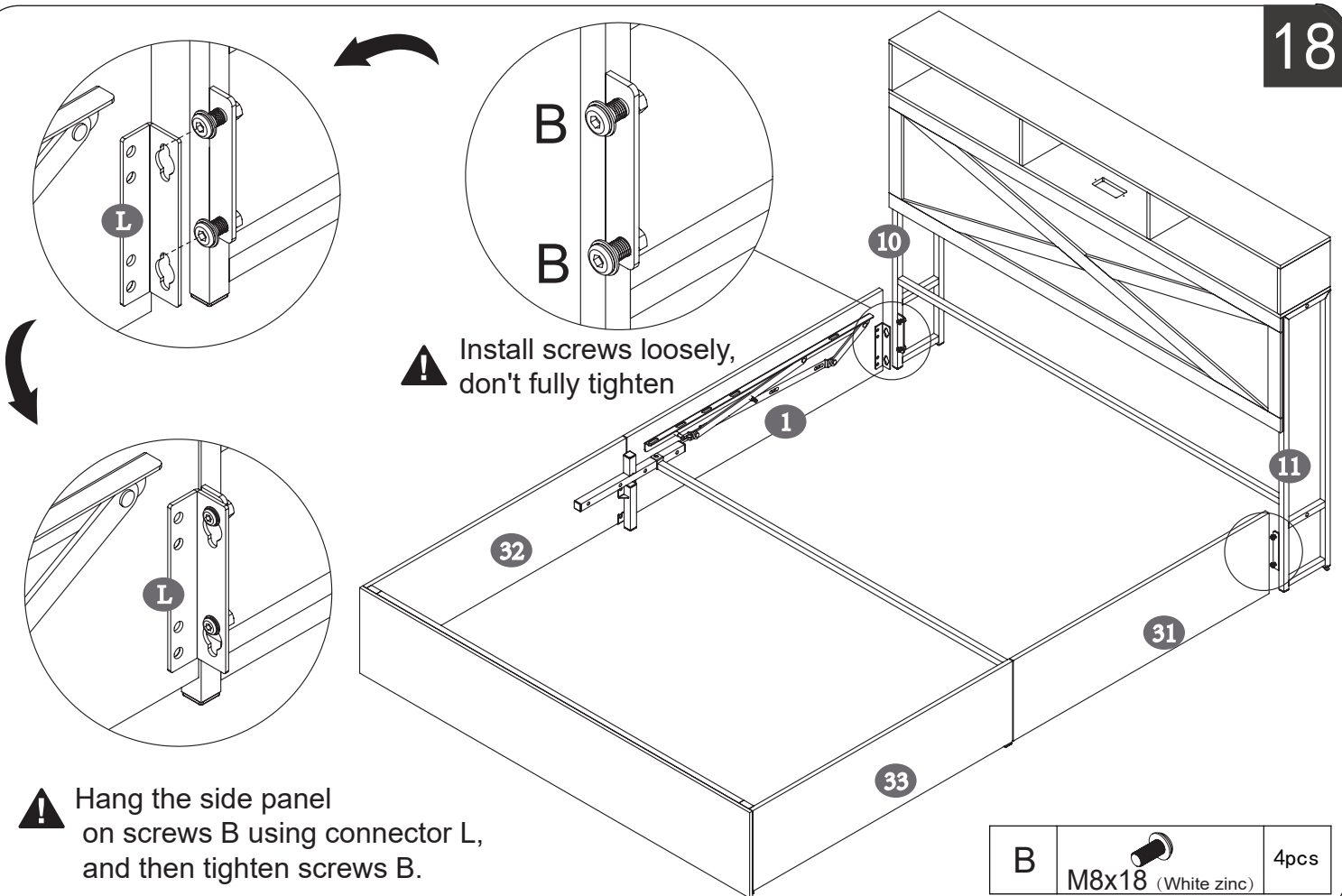


ASSEMBLY INSTRUCTIONS

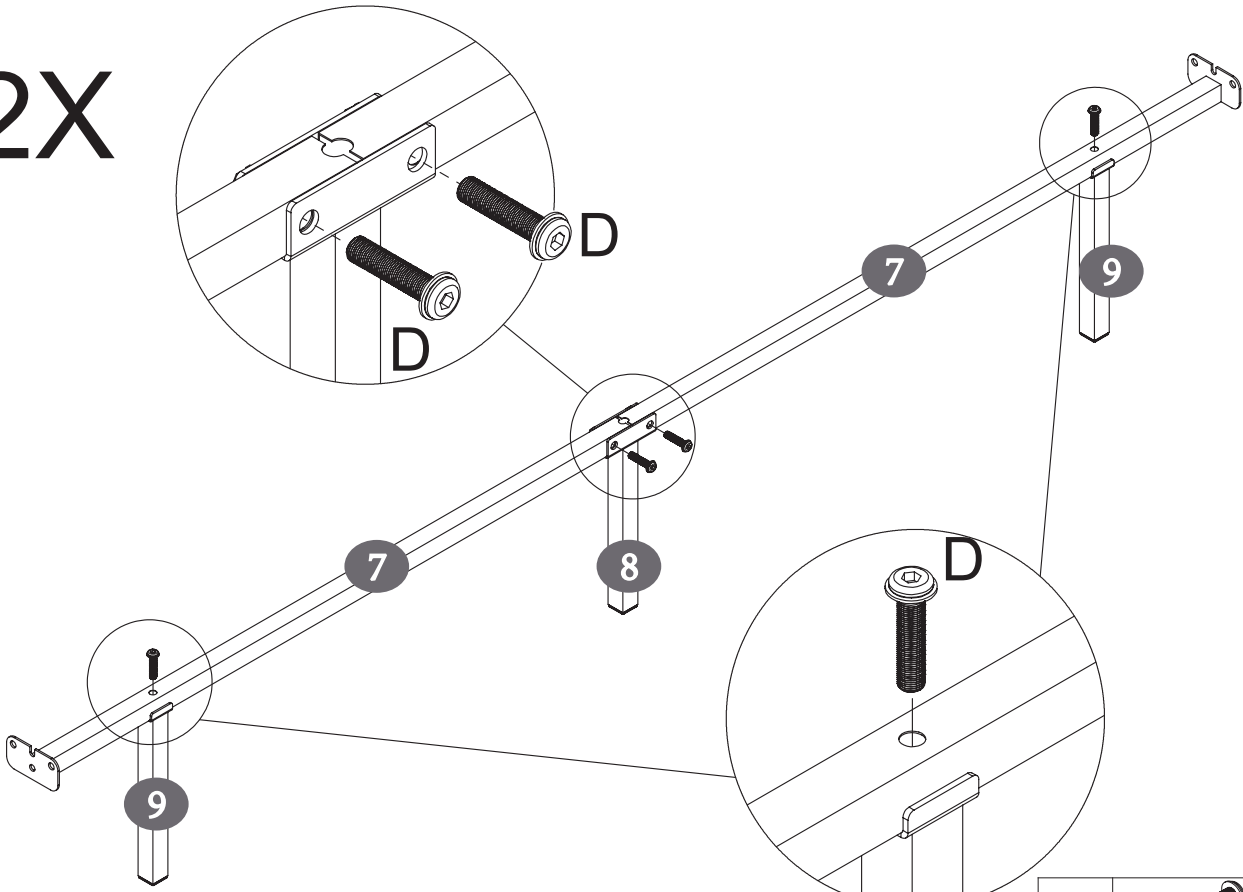
17



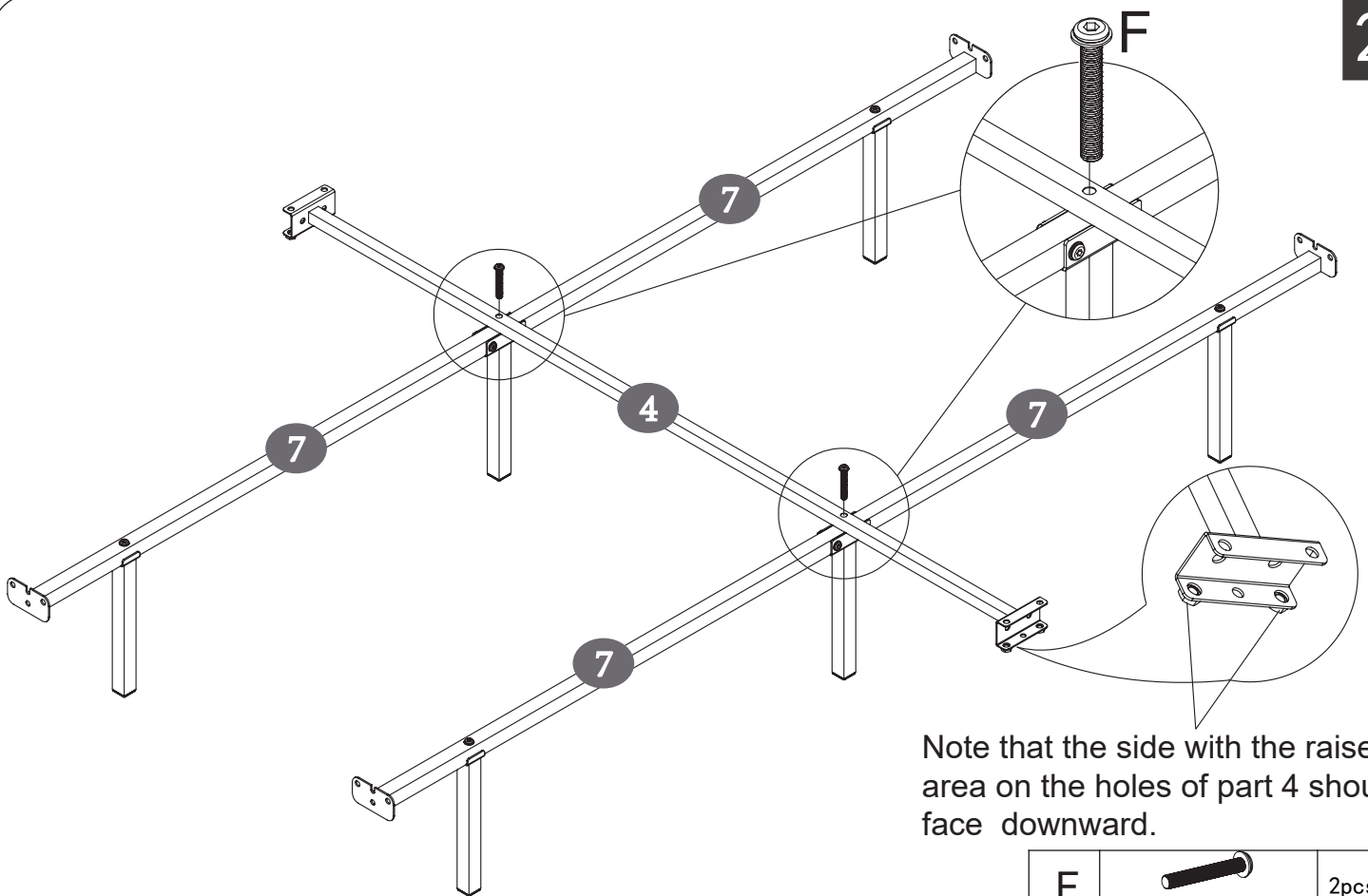
18



2X



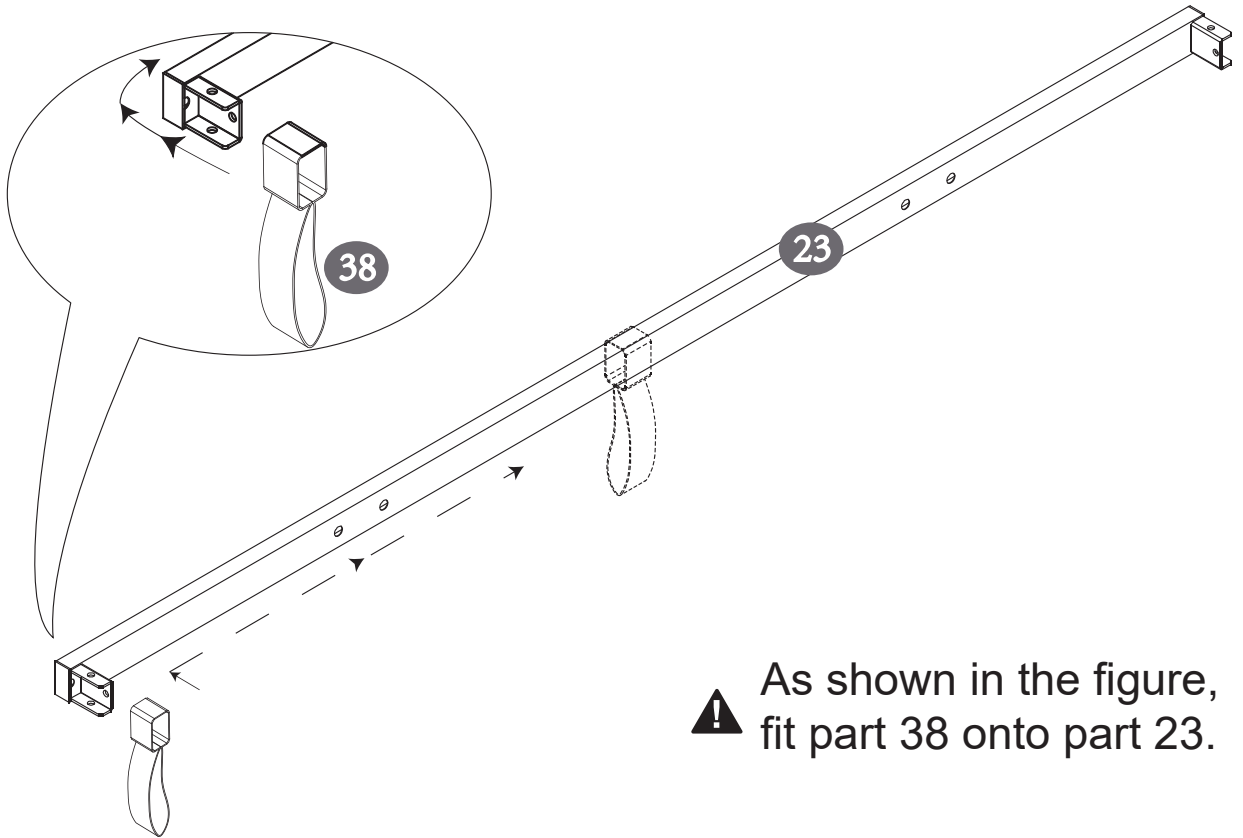
D		8 pcs
---	---	-------



Note that the side with the raised area on the holes of part 4 should face downward.

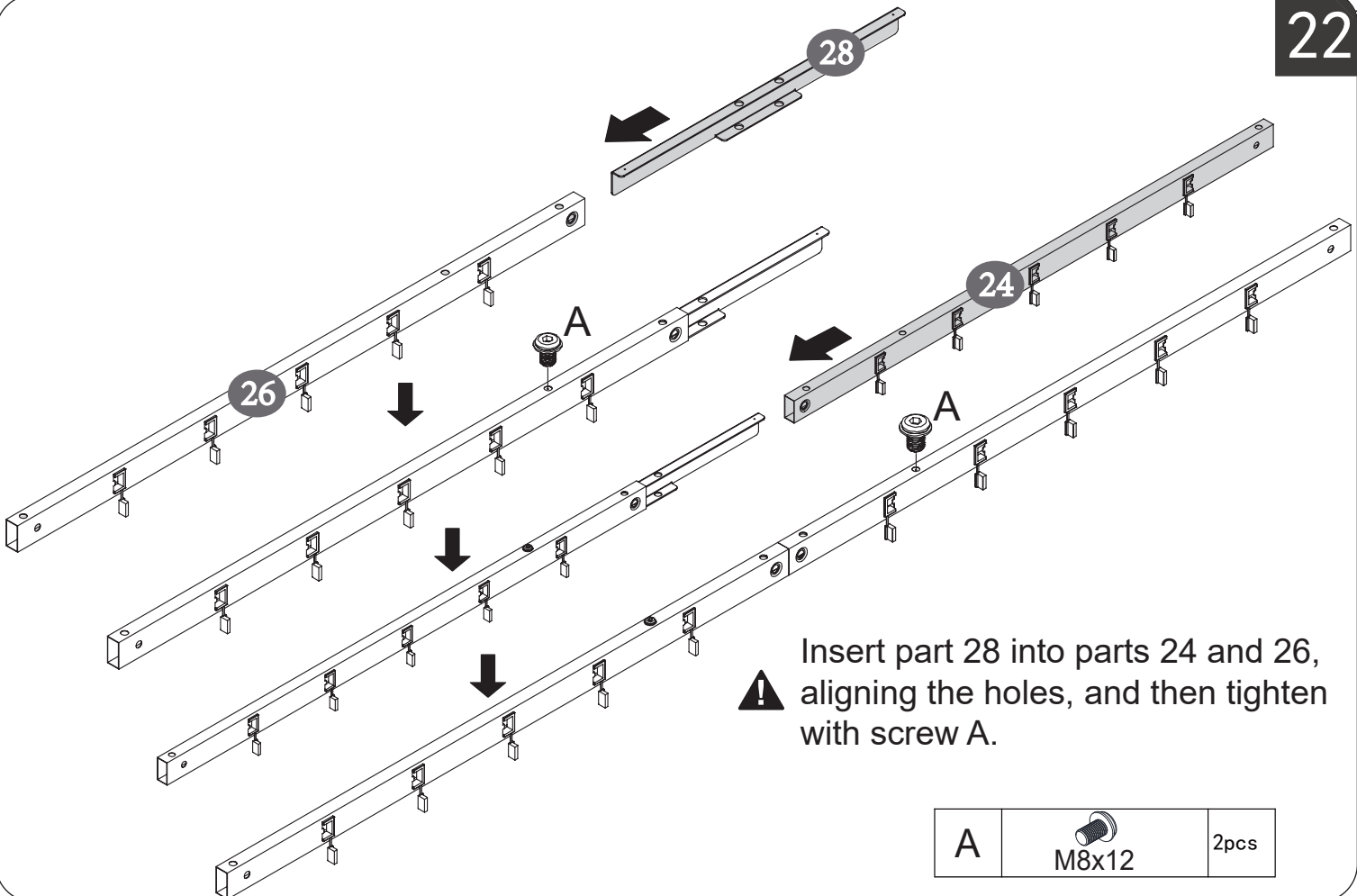
F		2 pcs
---	---	-------

21



! As shown in the figure, fit part 38 onto part 23.

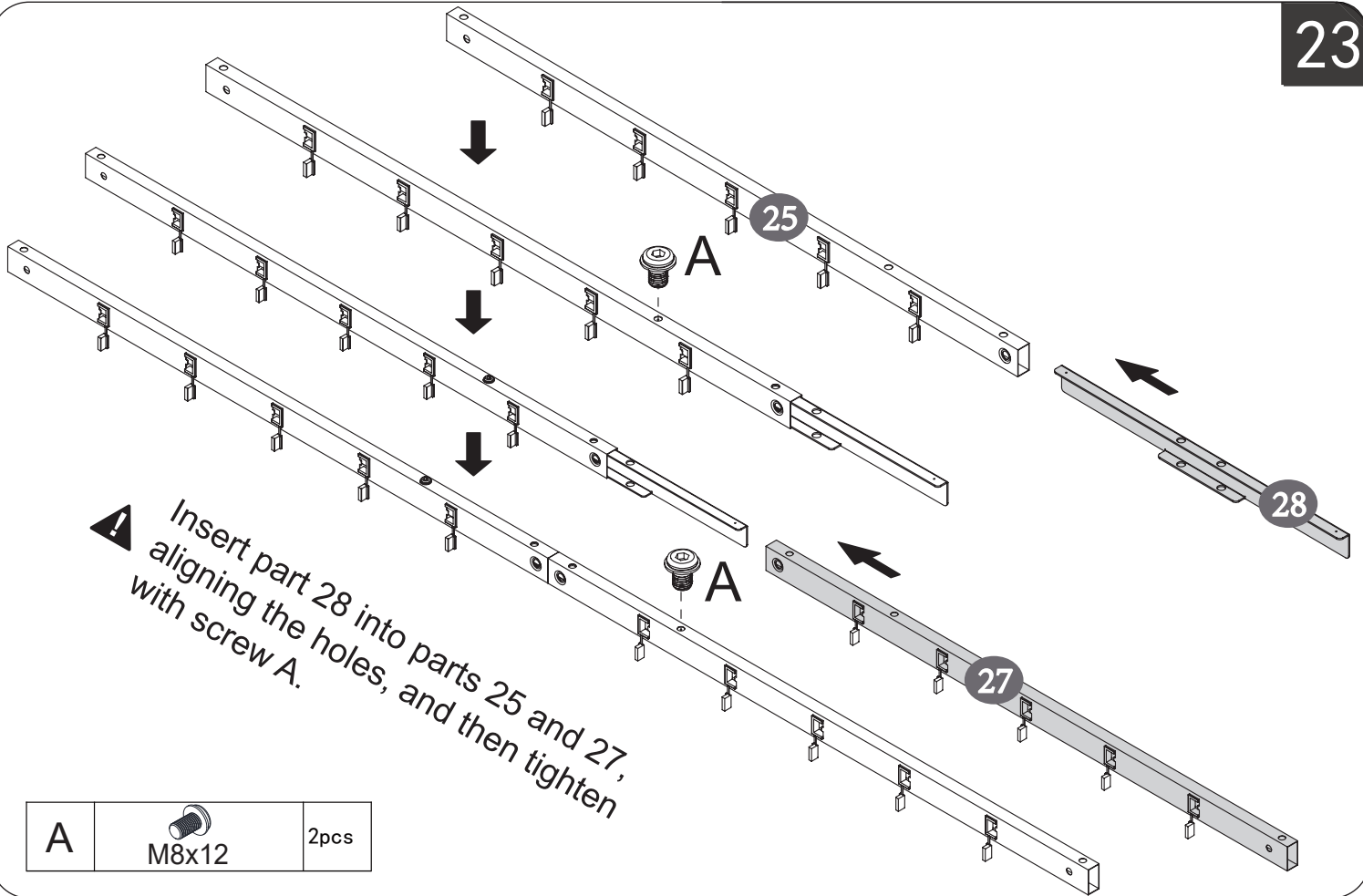
22



! Insert part 28 into parts 24 and 26, aligning the holes, and then tighten with screw A.

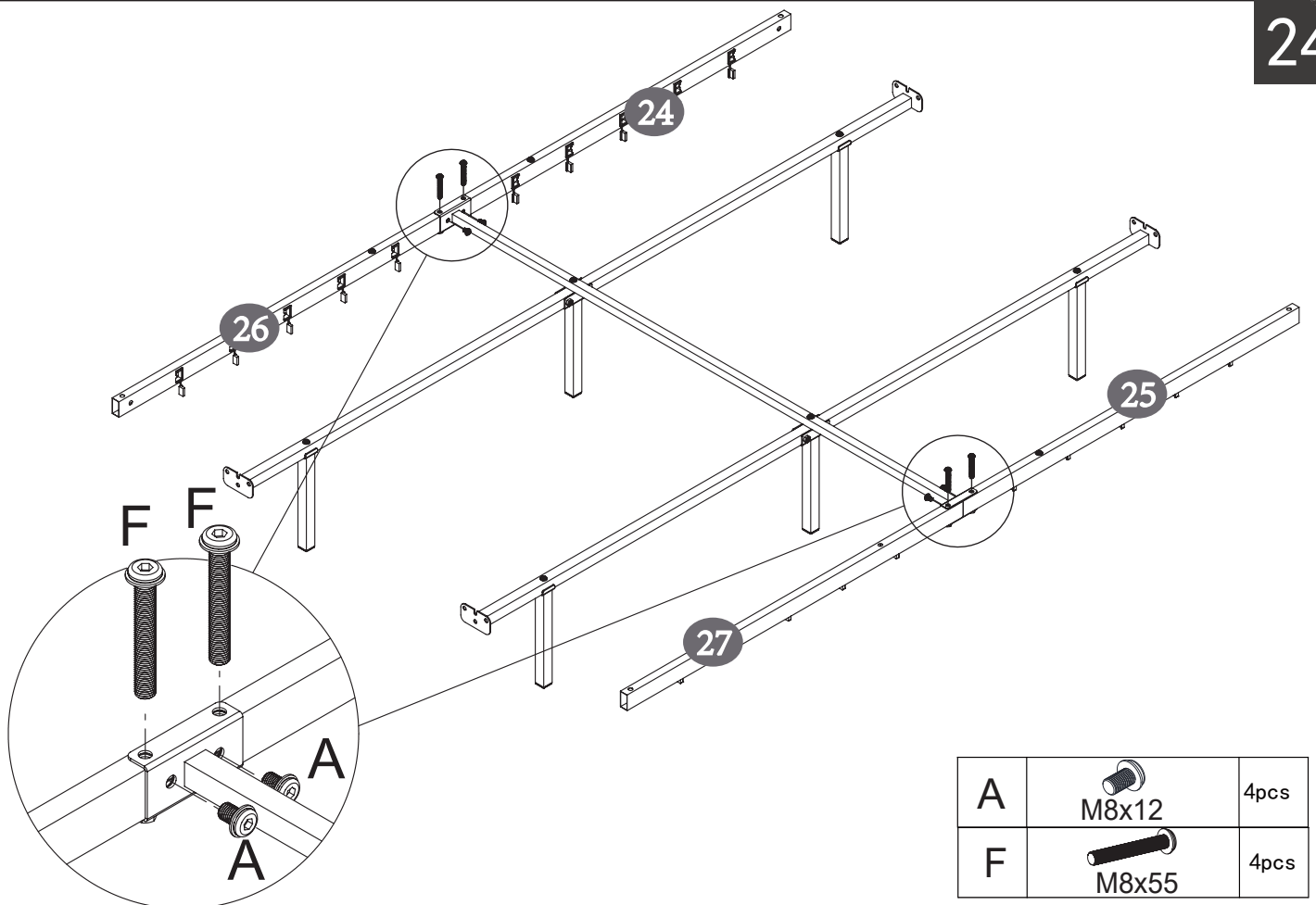
A	 M8x12	2pcs
---	--	------

23



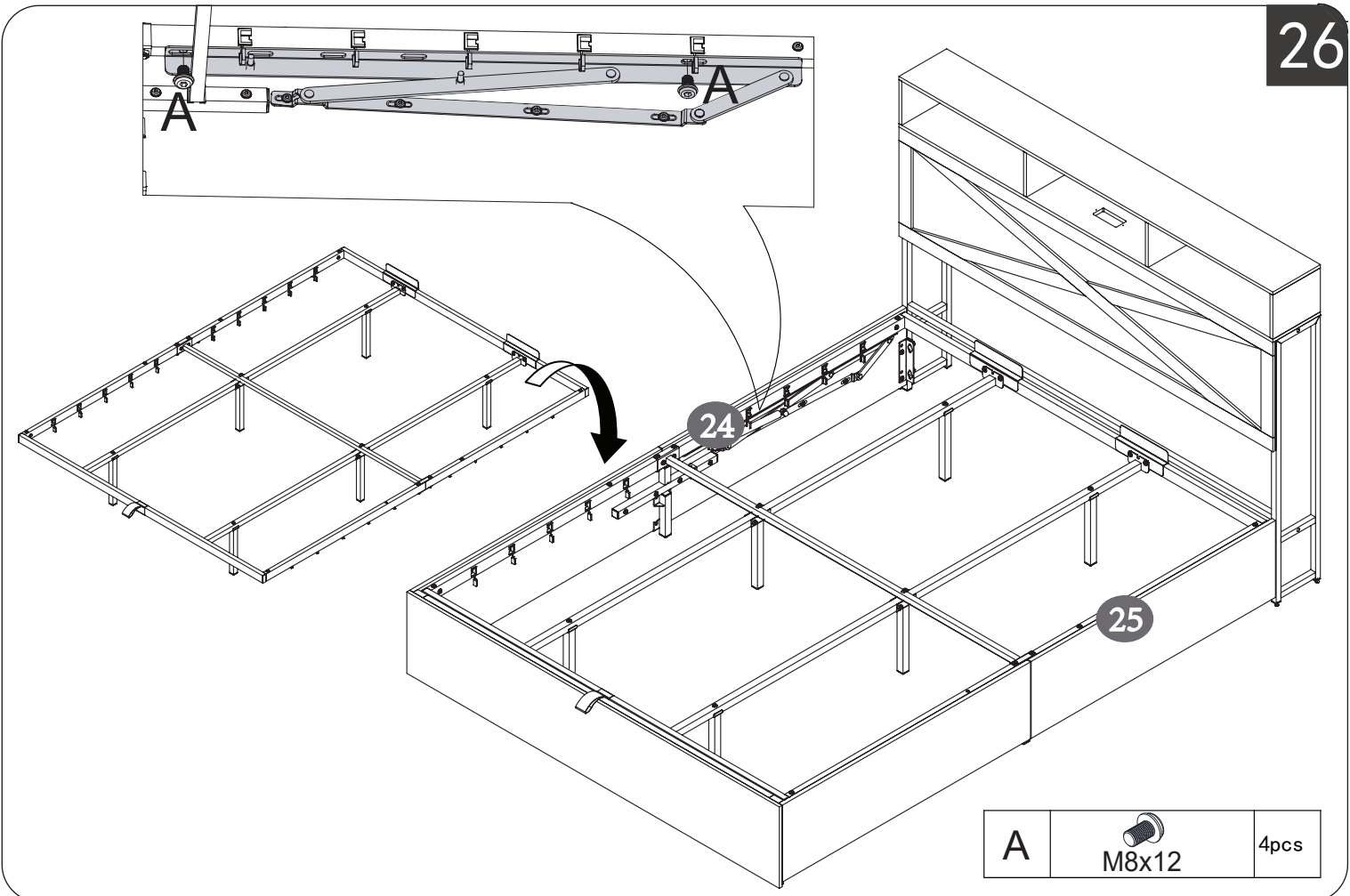
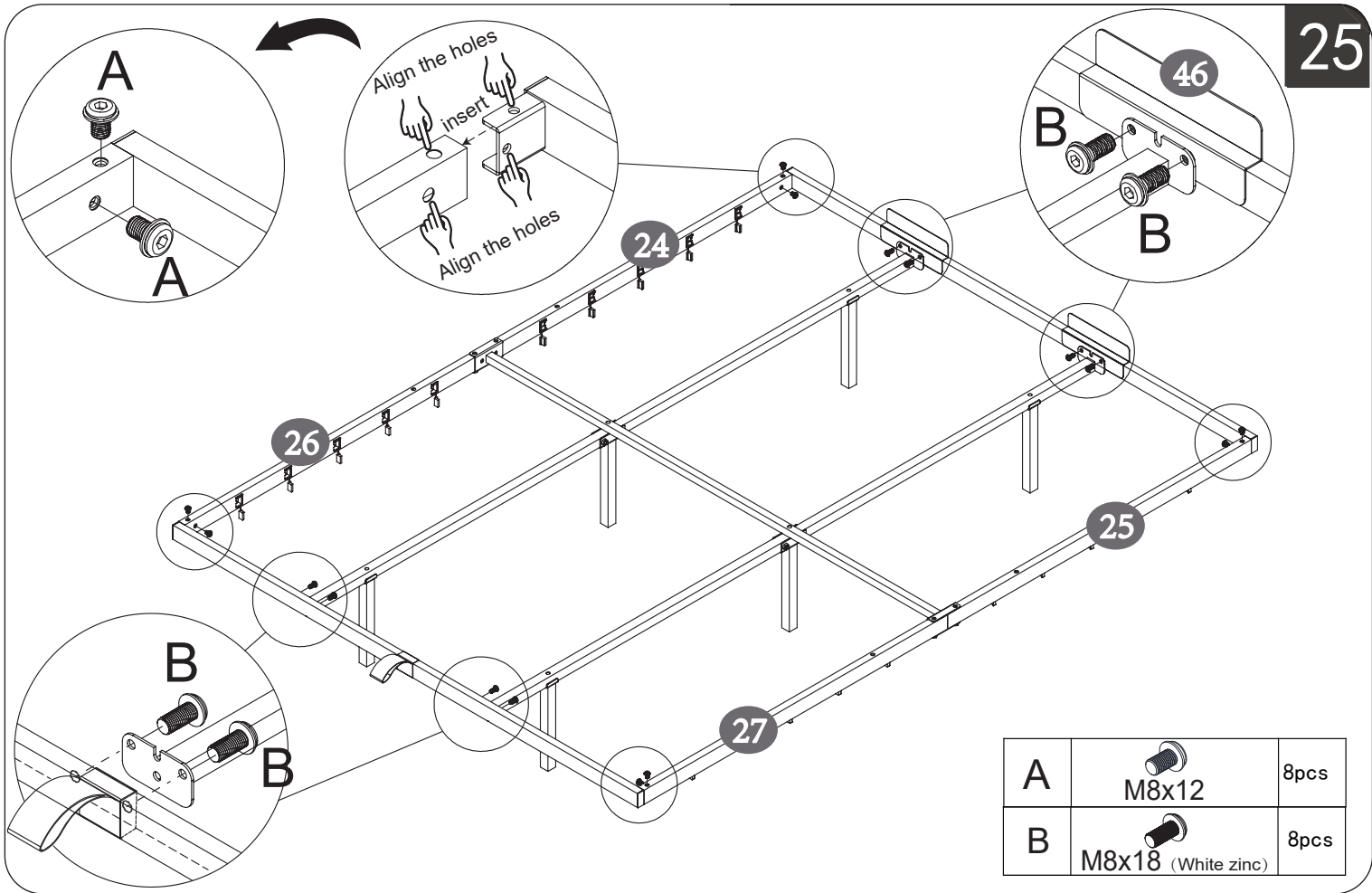
A	 M8x12	2pcs
---	--	------

24

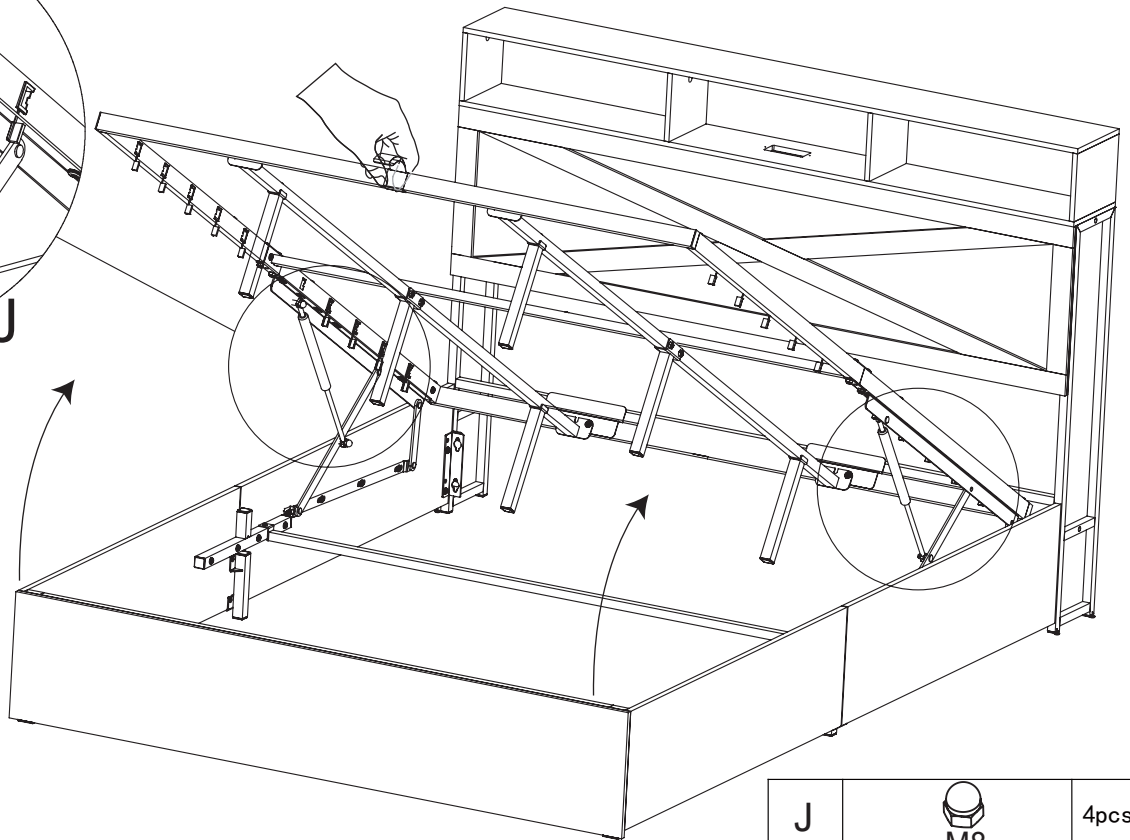
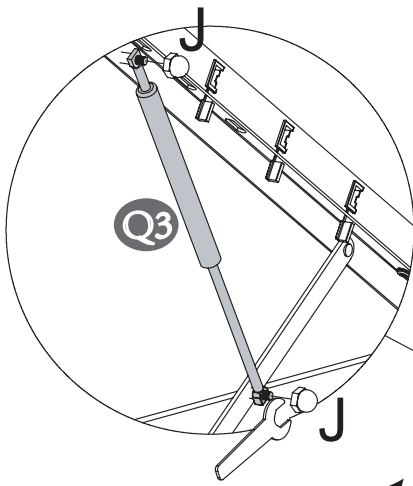


A	 M8x12	4pcs
F	 M8x55	4pcs

ASSEMBLY INSTRUCTIONS

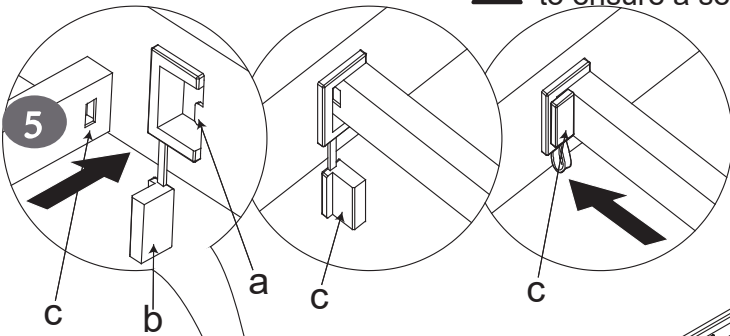


! Lift the frame and install part Q3.

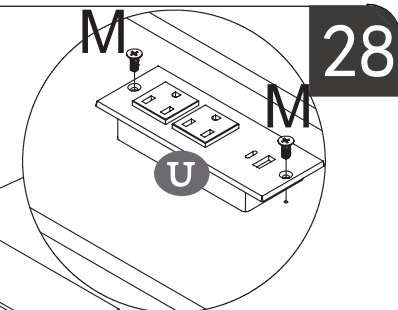
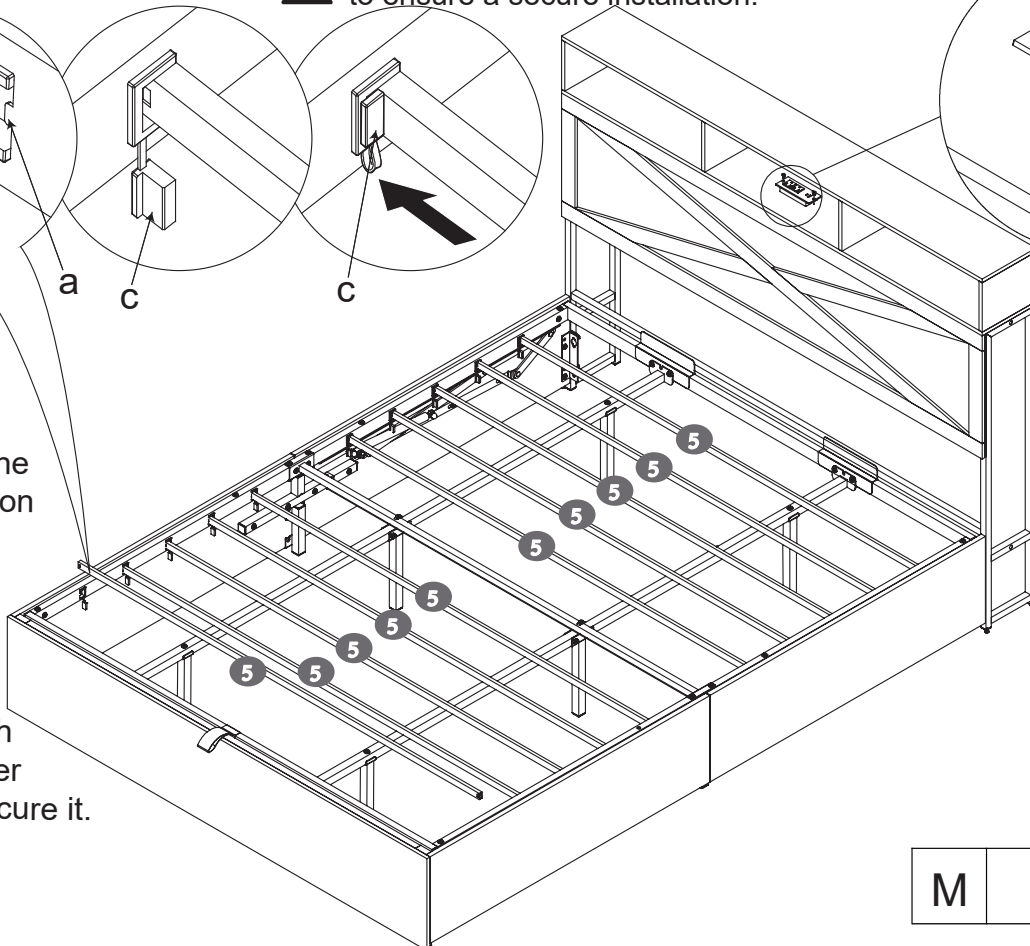


J	 M8	4pcs
---	---	------

! Please push the fastener block c firmly to ensure a secure installation.

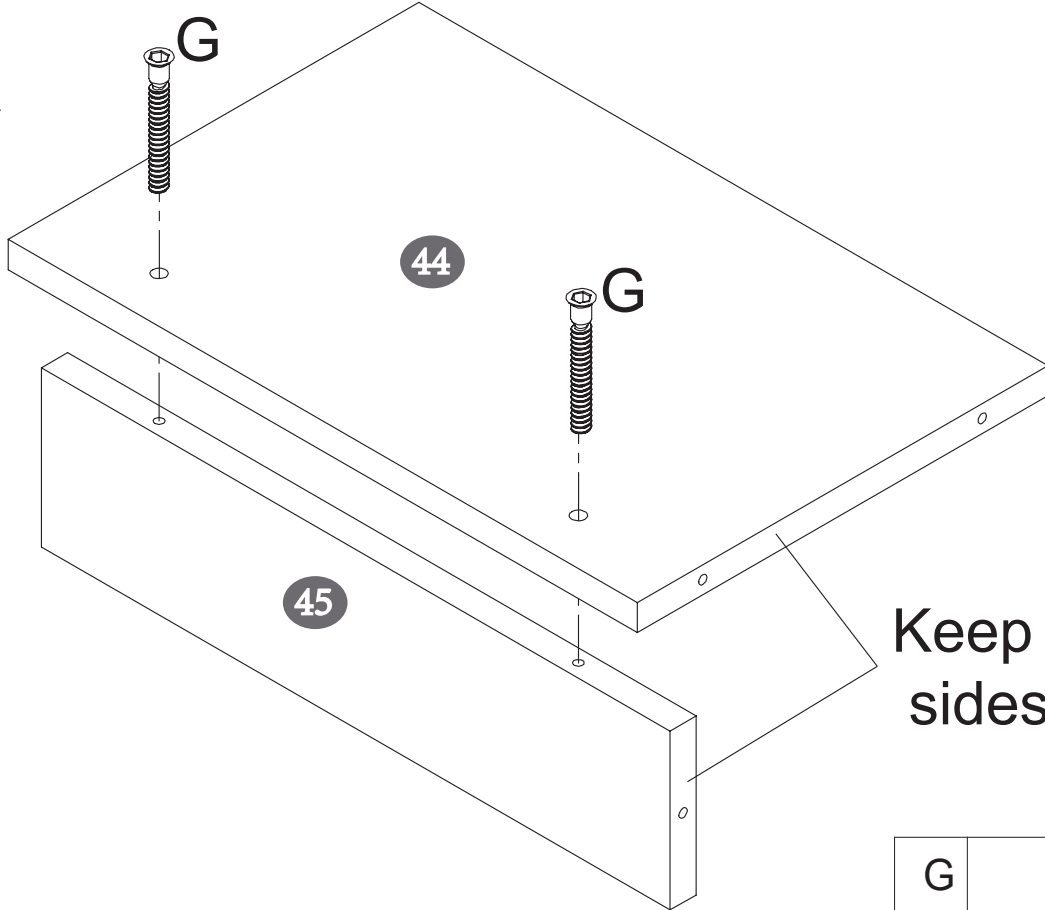


! Ensure that the raised part a on the mounting openings is inserted into the socket b on part 5, and then push in the fastener block c to secure it.



M	 ST4.2x12	2pcs
---	---	------

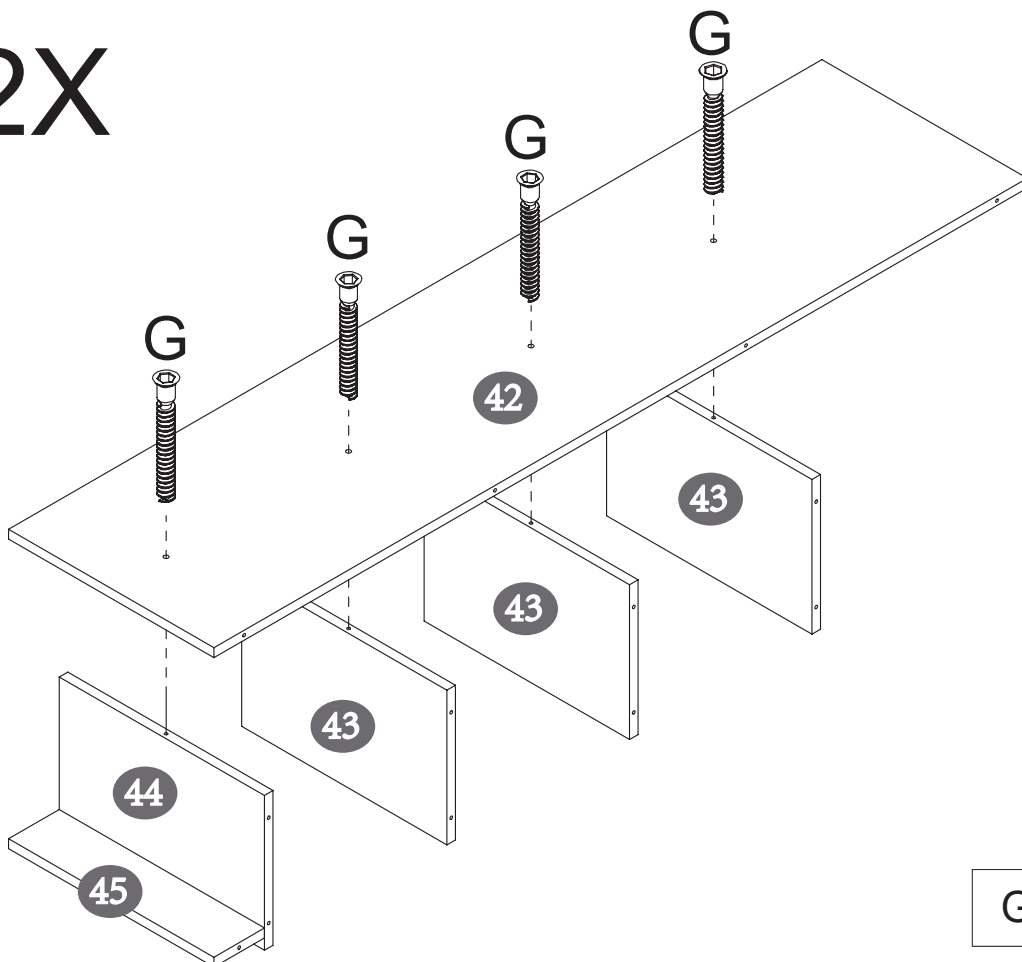
2X



Keep the two sides flush

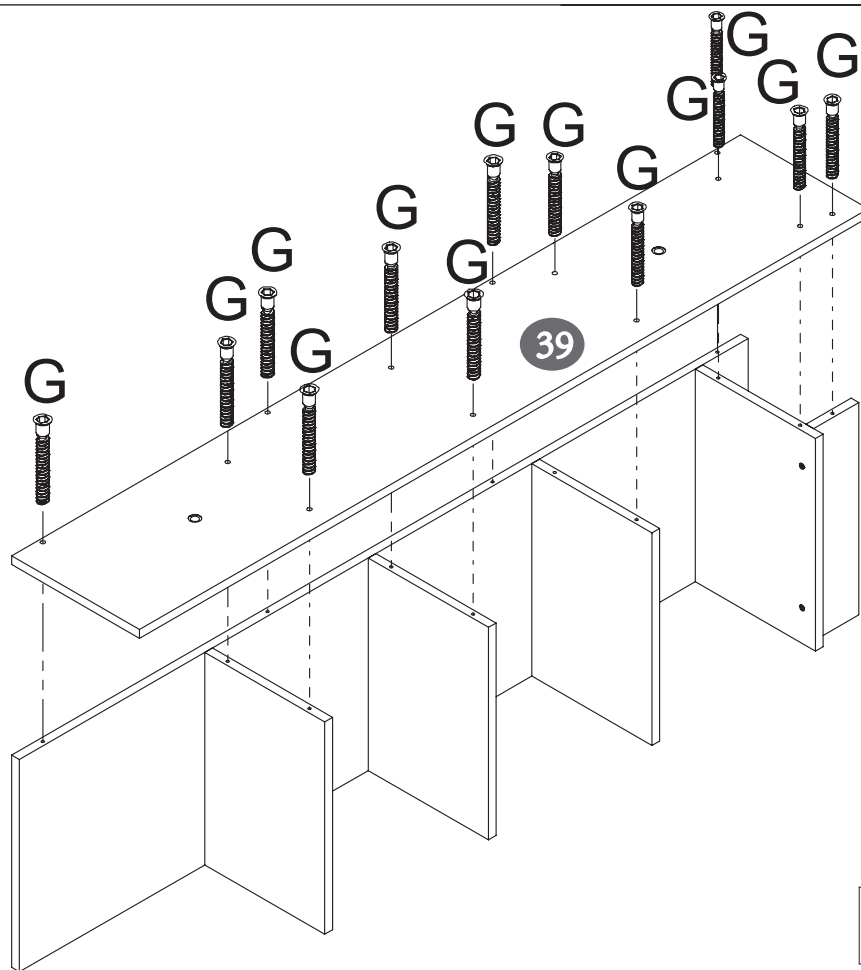
G		4pcs
---	---	------

2X



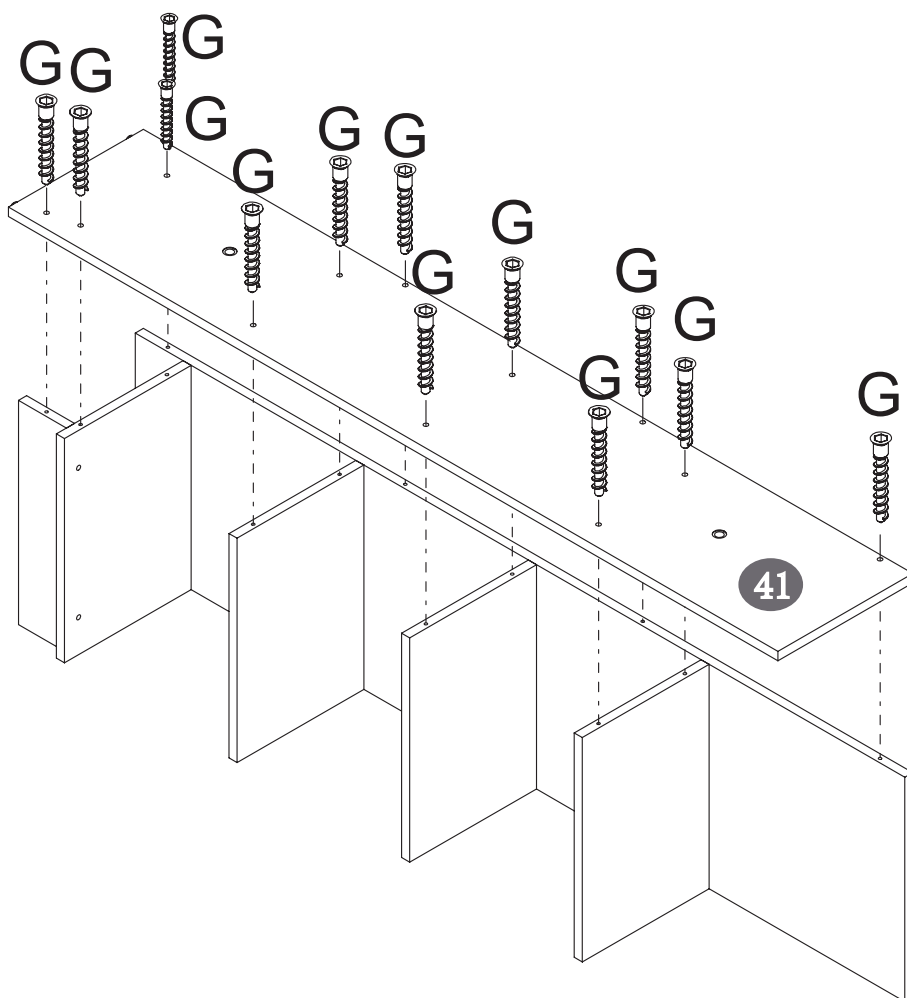
G		8pcs
---	---	------

31



G	 M5x40	13pcs
---	--	-------

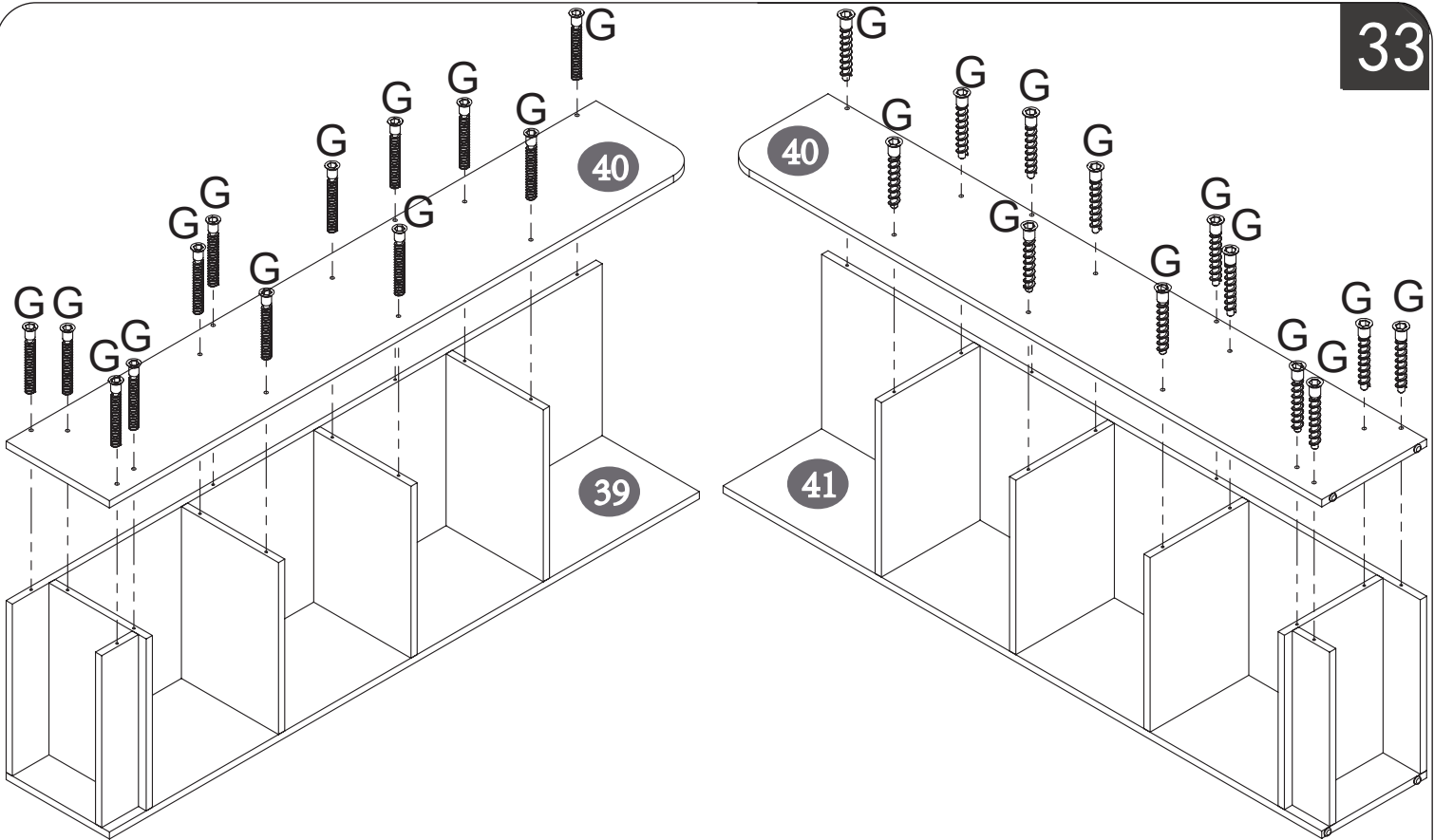
32



G	 M5x40	13pcs
---	--	-------

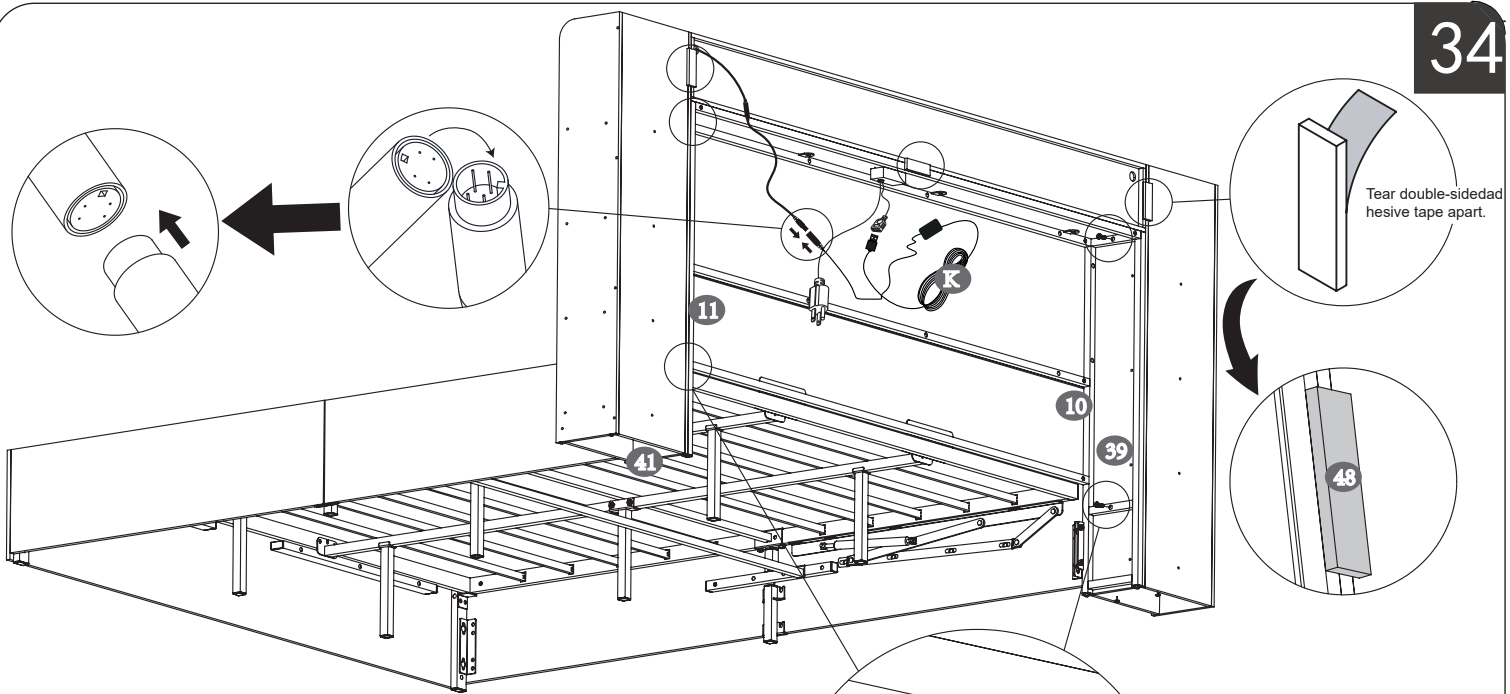
ASSEMBLY INSTRUCTIONS

33



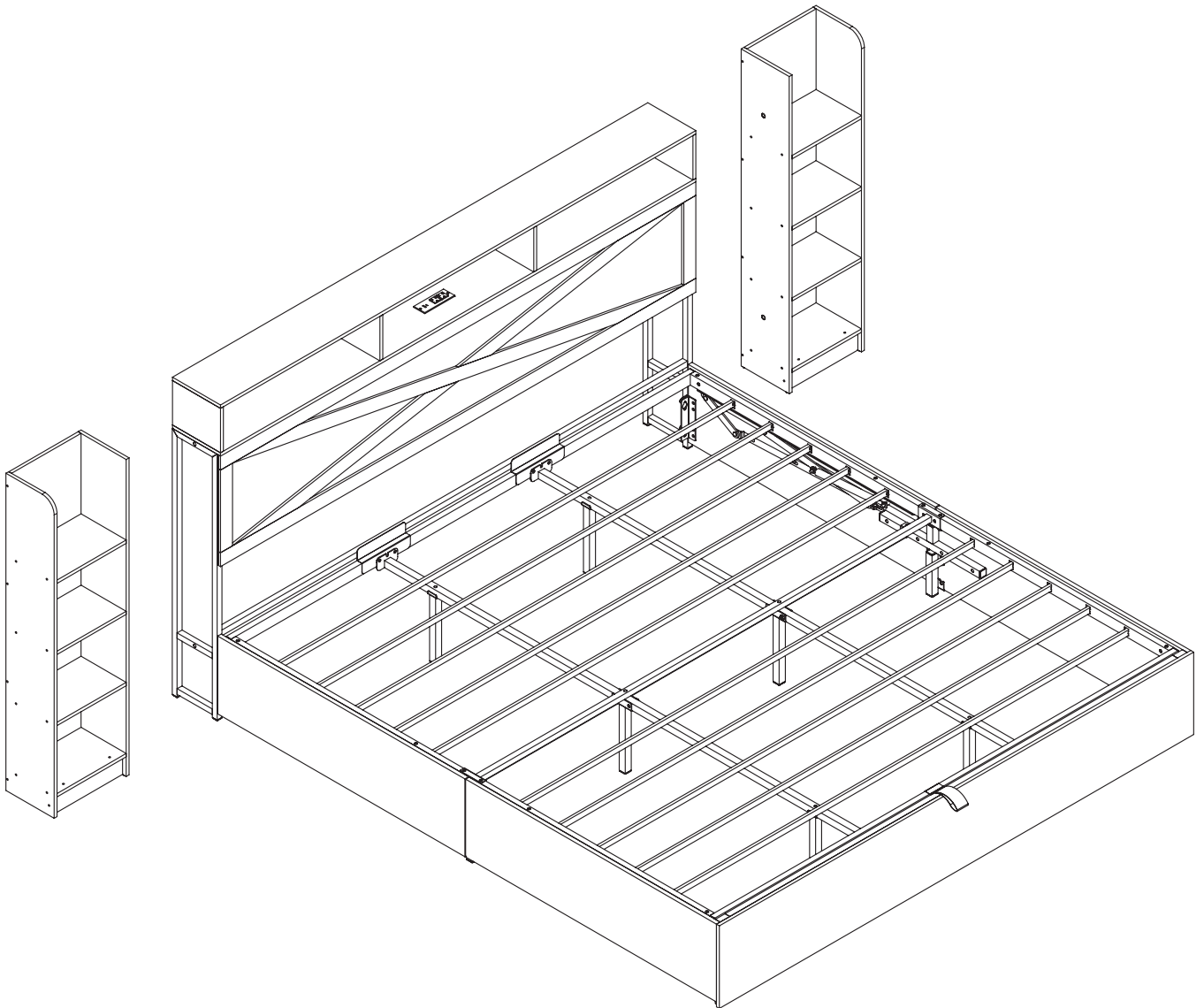
G		26pcs
---	---	-------

34



C		4pcs
K		1pc

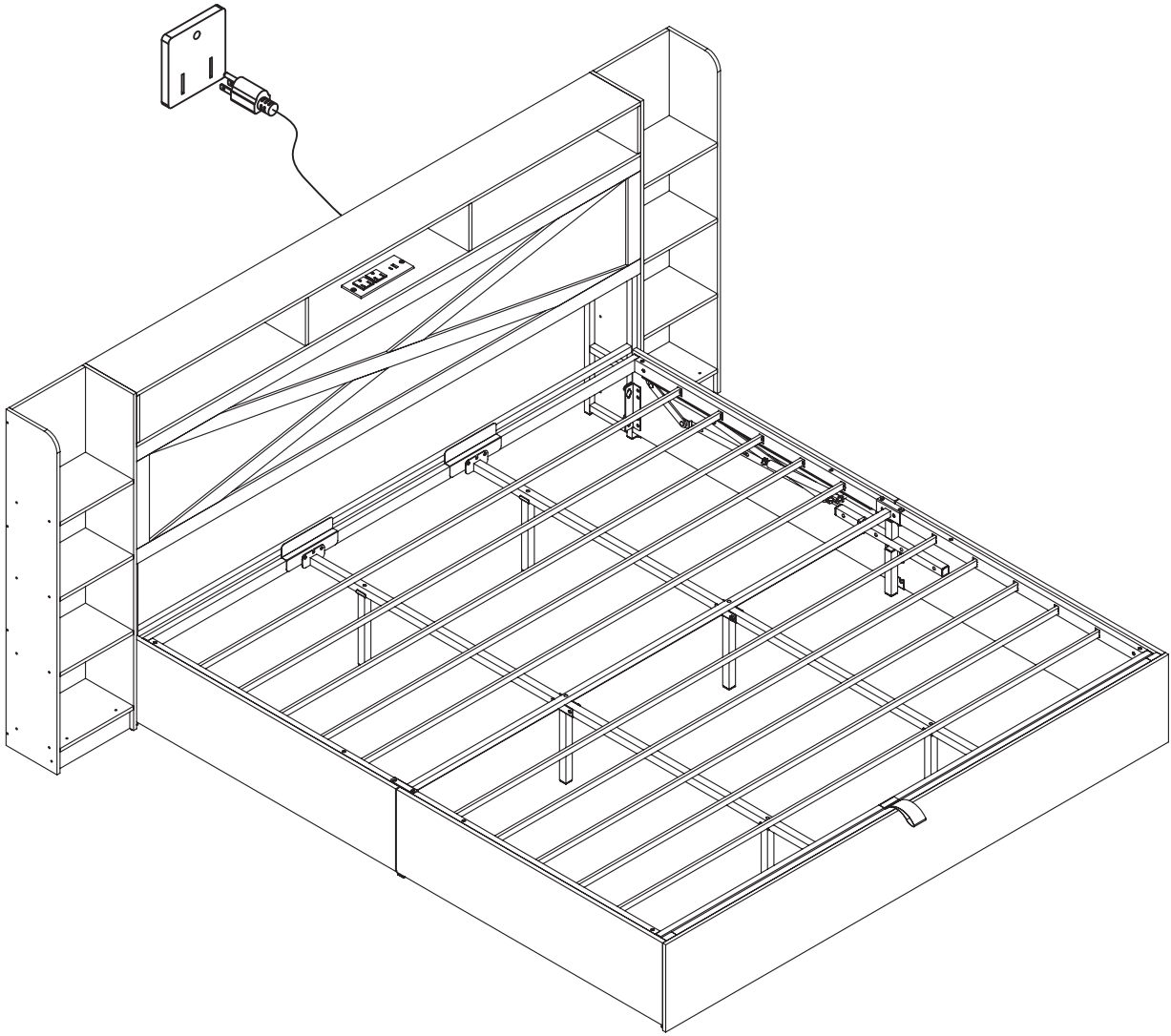
If you do not wish to use the storage cabinets on either side of the headboard, you can remove them by unscrewing the screws.




! Make sure the assembly holes are aligned.
TIGHTEN ALL THE SCREWS COMPLETELY.



Installation Complete



 Make sure the assembly holes are aligned.
TIGHTEN ALL THE SCREWS COMPLETELY.



Installation Complete