

Assembly Instruction for ROUND DINING TABLE

Caution: Please read instructions thoroughly before unpacking assembly parts. Sharp, exposed staple tips can cause injury, therefore, for your protection, please remove any exposed staples used in packing.

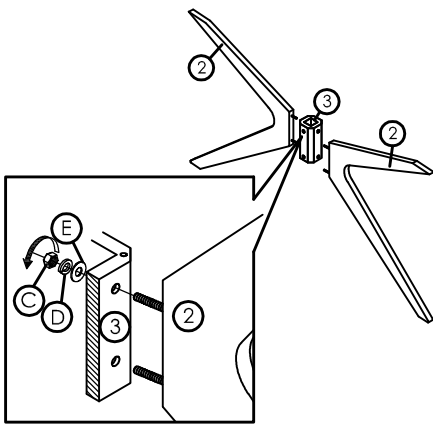
1. We recommend that you should assemble this product with the assistance of another person; this will make assembly easier, and will help to eliminate damage to the product or injury to persons during assembly.
2. Be sure to check all packing materials carefully for small parts that may have come loose inside the carton during shipment.
3. Please do not over tighten screws or bolts.
4. Please put all parts on a non-abrasive floor before assembly, and follow the assembly steps to assemble your newly purchased product correctly and efficiently.

PART LIST			
No.	PART DESC.	CODE.	Q'TY
A	TABLE TOP		1
B	TABLE LEG	PDWT100DTLEG	4
C	CENTER SUPPORT BLOCK	PDWT100DTCON1	1
D	CENTER BLOCK COVER	PDWT100DTCON2	1

HARDWARE LIST				
No.		HARDWARE DESC	CODE.	Q'TY
1		JCBC Bolt Set M6x70mm	PDWT100DTHW	4
2		Allen Key M4		1
3		Hex Nut 5/16"		8
4		Spring Washer 5/16"		8
5		Flat Washer 5/16"		8
6		Spanner 12.8		1
7		FH Screw #8 x 32mm		4

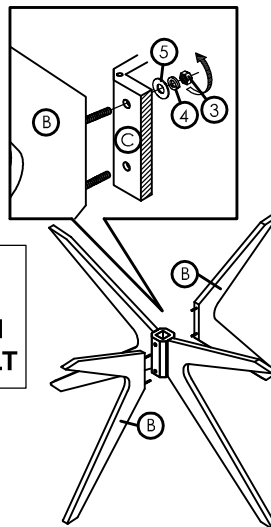
STEP 1

DO NOT FULLY TIGHTEN THE BOLT



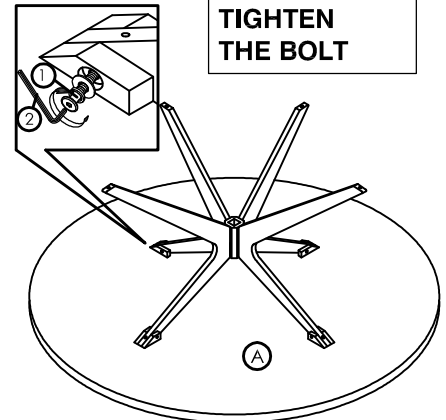
STEP 2

DO NOT FULLY TIGHTEN THE BOLT



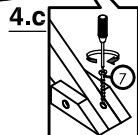
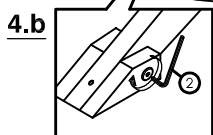
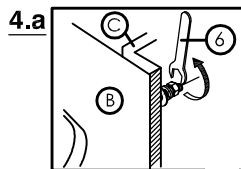
STEP 3

DO NOT FULLY TIGHTEN THE BOLT

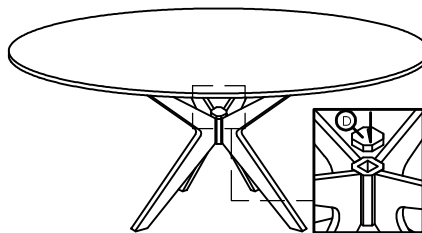


STEP 4

FULLY TIGHTEN THE BOLT



STEP 5



COMPLETE

