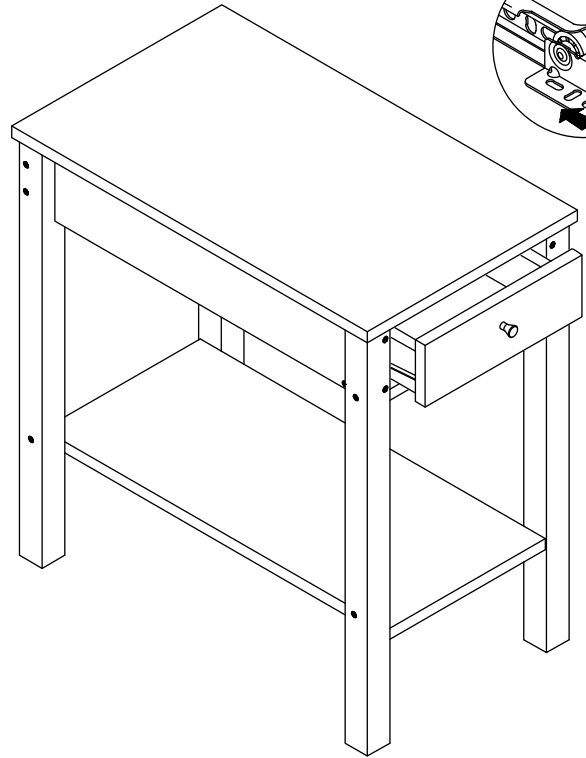
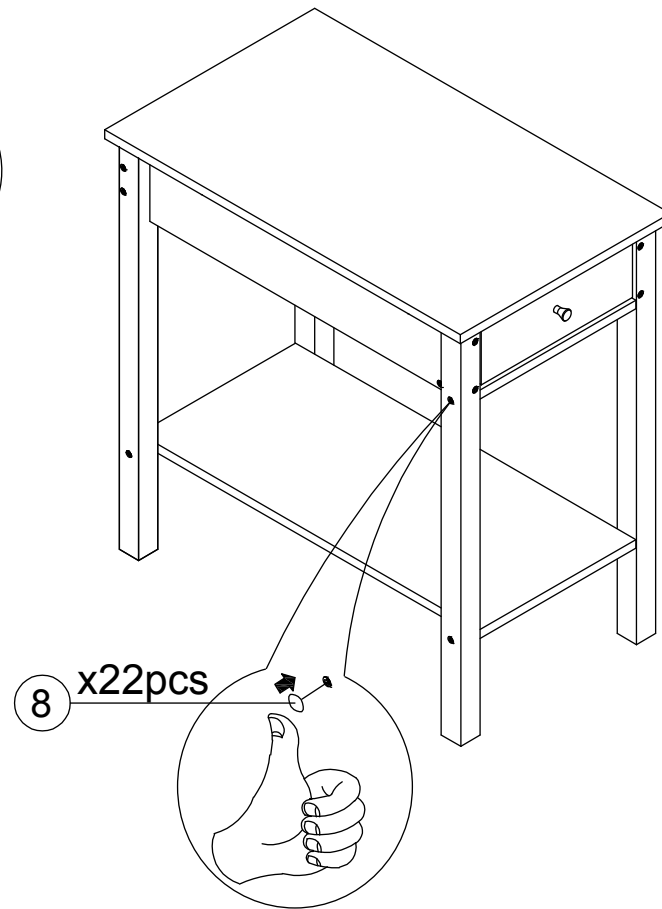


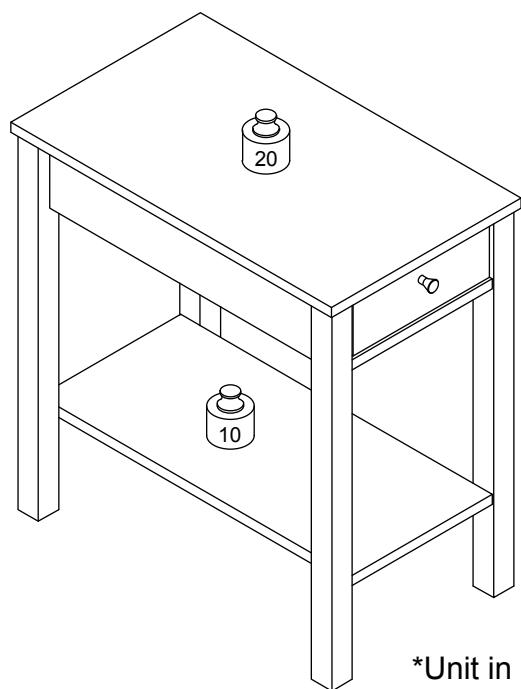
STEP 13



STEP 14



Recommended Maximum Weight



*Unit in Pound(lbs.)

WARNING:

>This unit has been designed to support the maximum loads shown. Exceeding these load limits could cause sagging, instability, product collapse, and/or serious injury.

>DO NOT allow children to climb on unit.

> Put heavier items on lower shelves.

Furinno®

Fits Space, Fits Budget

Assembly Instruction

Furinno Side Table with Drawer

MODEL : 19030

00:30

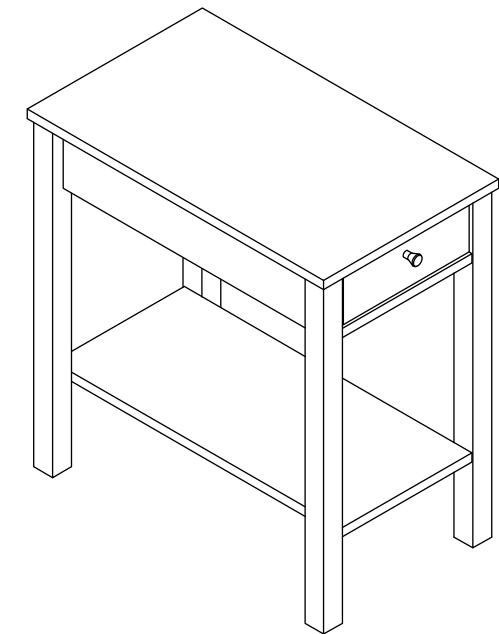
Approx. 30 minutes



Recomm. 1 Person



Tool Required







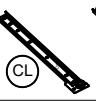
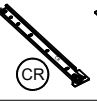
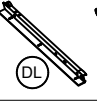
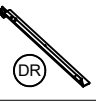



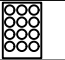
Customer Support

NEED HELP? For replacement requests or product inquiries, please contact our Customer Service Team by emailing us at support@furinno.com. Thank you for selecting Furinno!

www.furinno.com

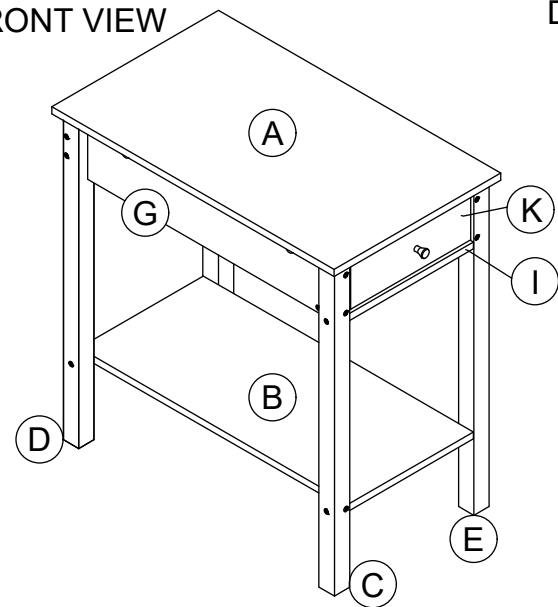


HARDWARE & PARTS LIST

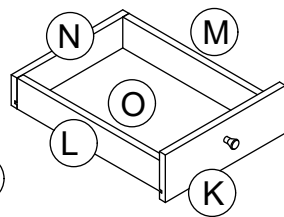
NO	HARDWARE LIST	QTY
1	MINIFIX 1a  1b 	7pcs
2	DOWEL 	6pcs
3	LONG SCREW 	22pcs
4	DRAWER SLIDE    	1set
5	SHORT SCREW 	12pcs
6	KNOB HANDLE 	1pc
7	HANDLE SCREW 	1pc
8	ROUND STICKER 	22pcs

NO	PARTS LIST	QTY
A	TOP PANEL	1pc
B	BOTTOM PANEL	1pc
C	FRONT LEFT LEG PANEL	1pc
D	BACK LEFT LEG PANEL	1pc
E	FRONT RIGHT LEG PANEL	1pc
F	BACK RIGHT LEG PANEL	1pc
G	LEFT SIDE PANEL	1pc
H	RIGHT SIDE PANEL	1pc
I	CENTER SUPPORT PANEL	1pc
J	BACK PANEL	1pc
K	DRAWER FACE PANEL	1pc
L	DRAWER LEFT PANEL	1pc
M	DRAWER RIGHT PANEL	1pc
N	DRAWER BACK PANEL	1pc
O	DRAWER BASE PANEL	1pc

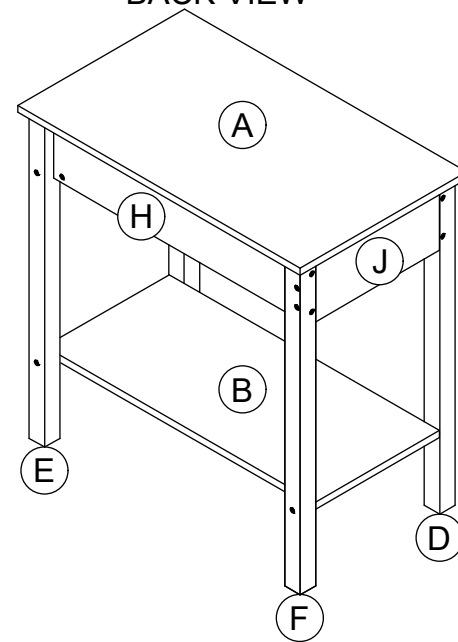
FRONT VIEW



DRAWER VIEW



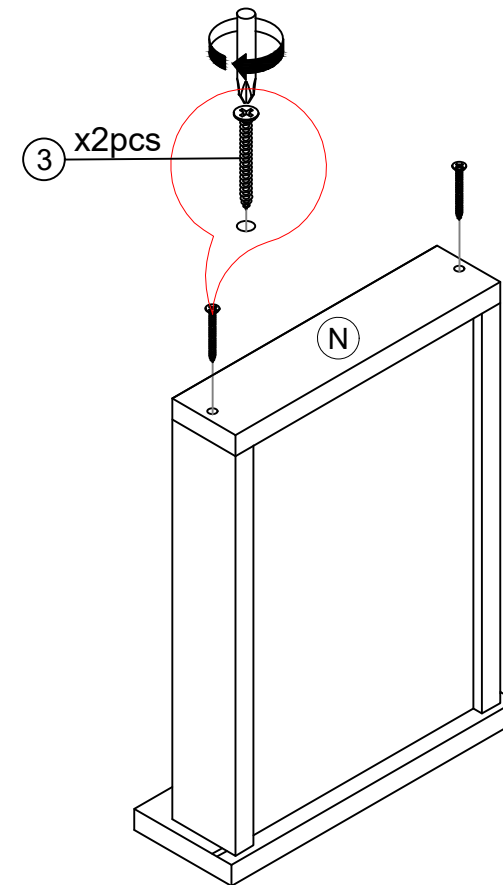
BACK VIEW



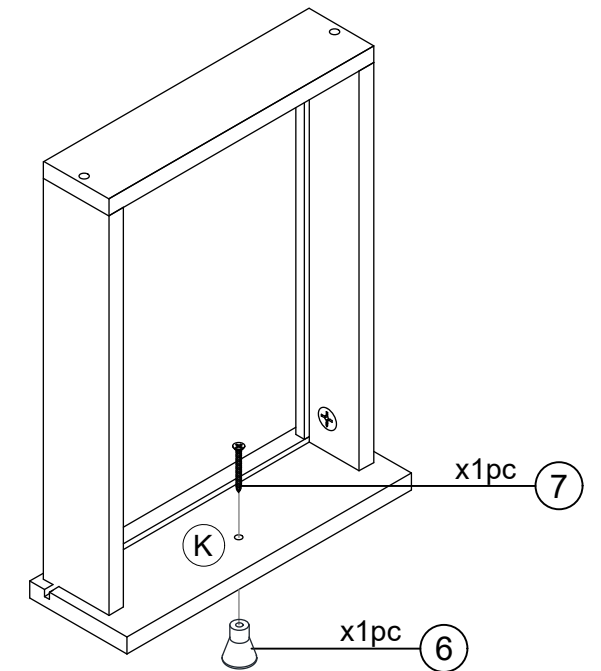
USEFUL HINTS BEFORE YOU START:

1. Read each step carefully before starting.
2. It is important that each step is performed in correct order to avoid difficulties.
3. Identify, sort and count the parts before assembly.
4. Assemble your furniture on packaging cardboard to prevent scratch or damage.
5. Clean the product with mild cleanser using soft damped cloth. Do not use harsh or abrasive cleanser.
6. Using incompatible hardware might cause damage to product.

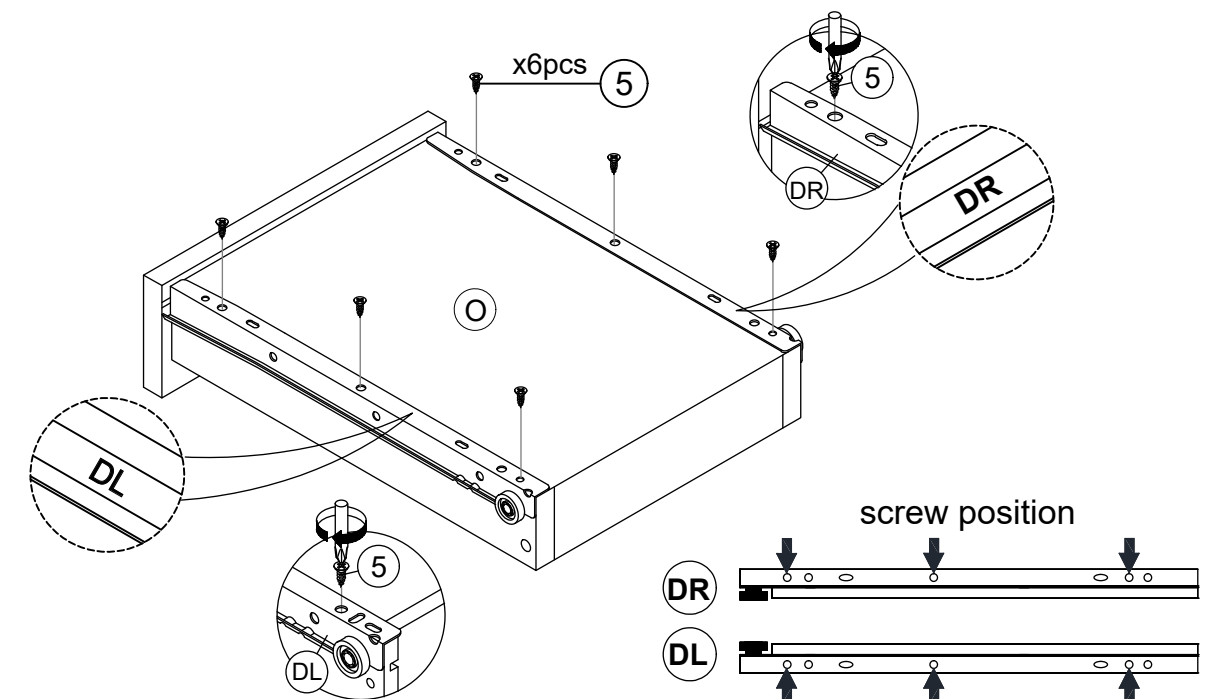
STEP 10



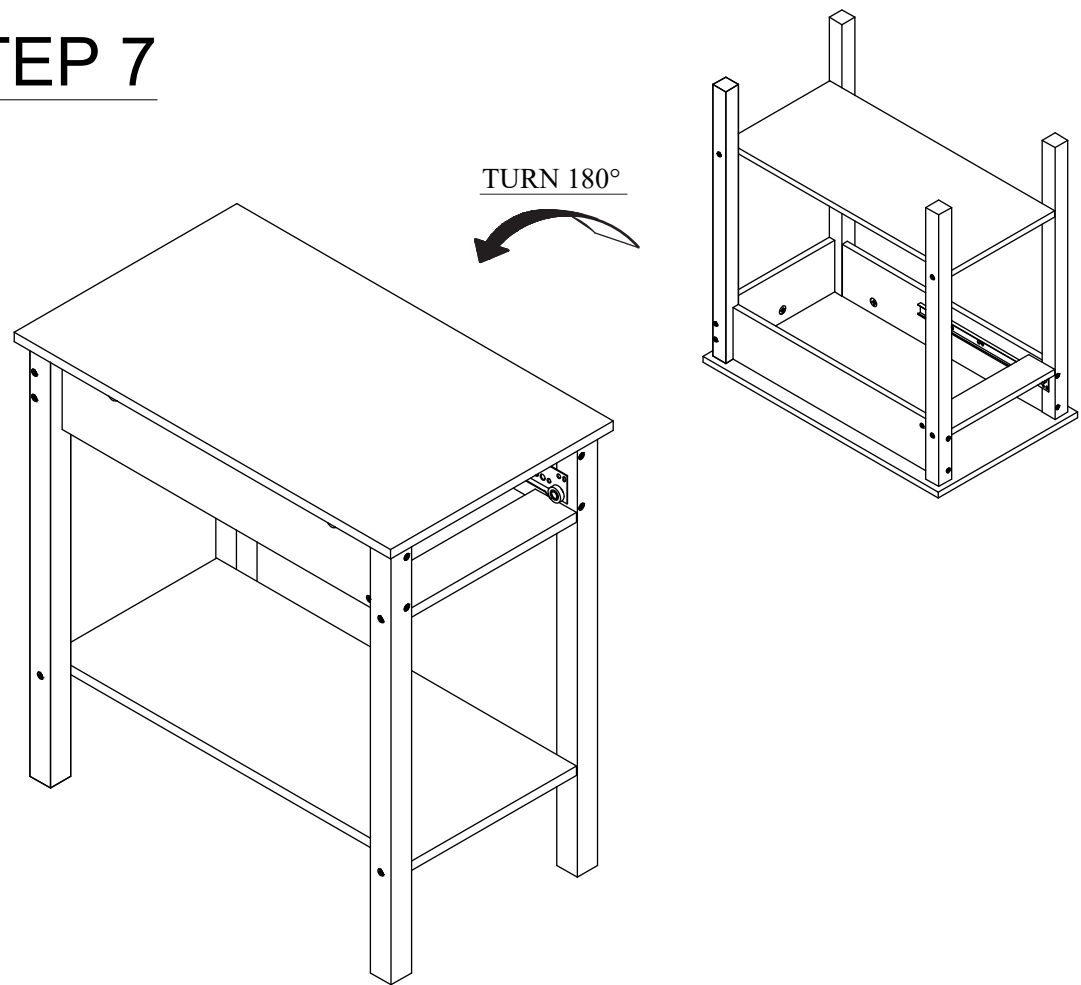
STEP 11



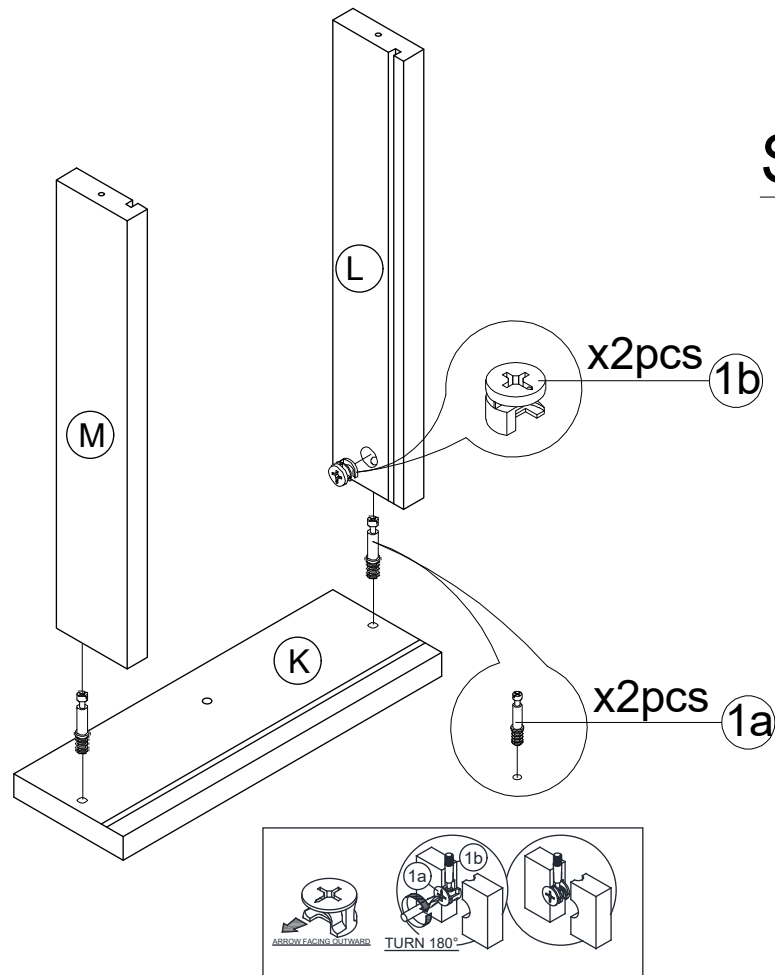
STEP 12



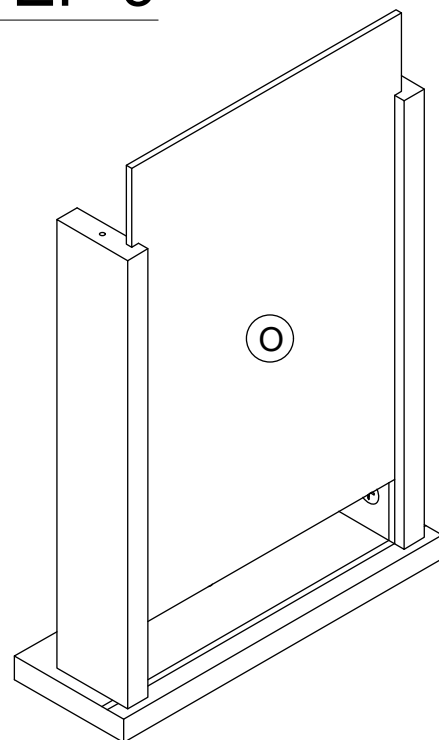
STEP 7



STEP 8



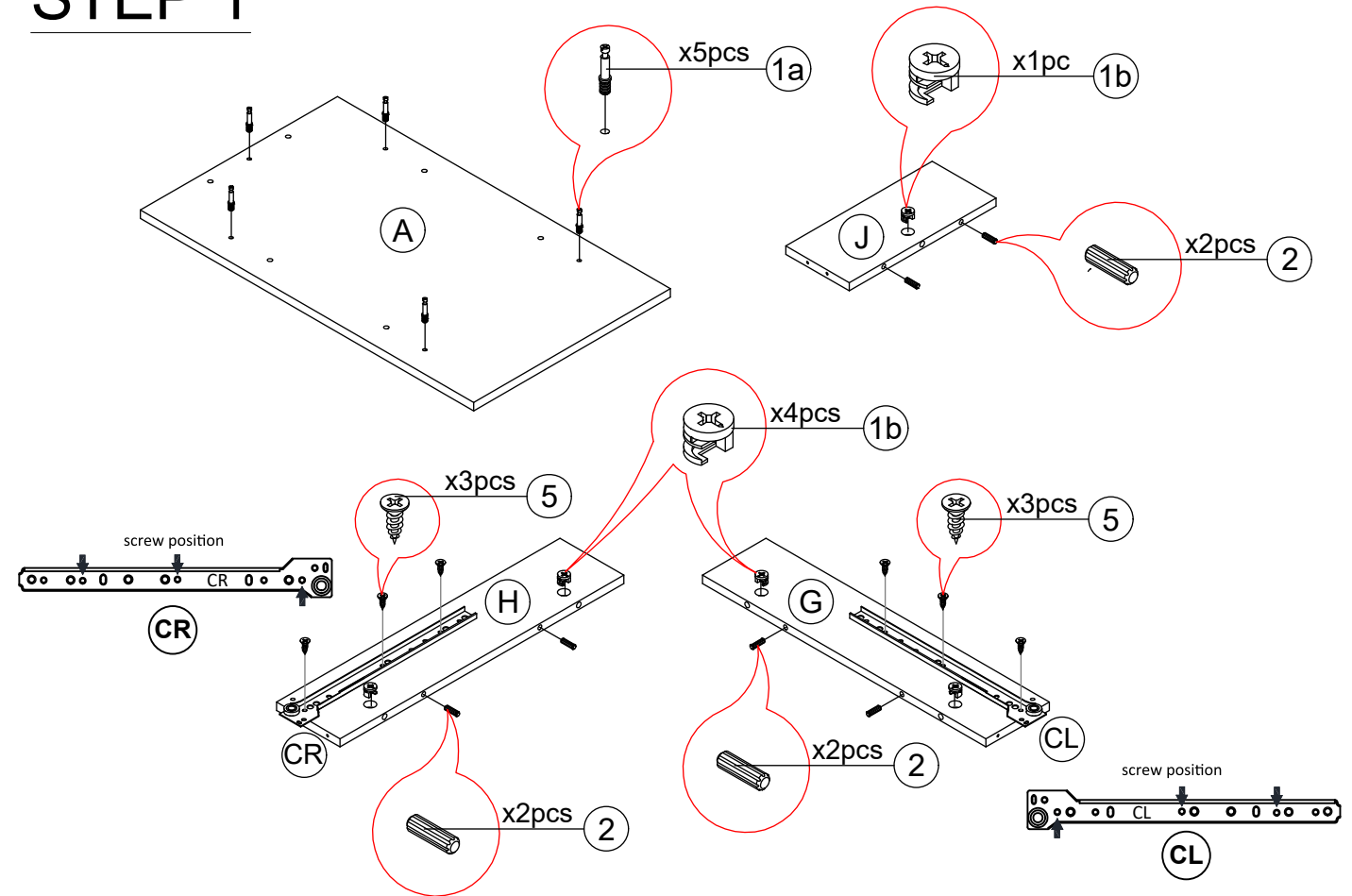
STEP 9



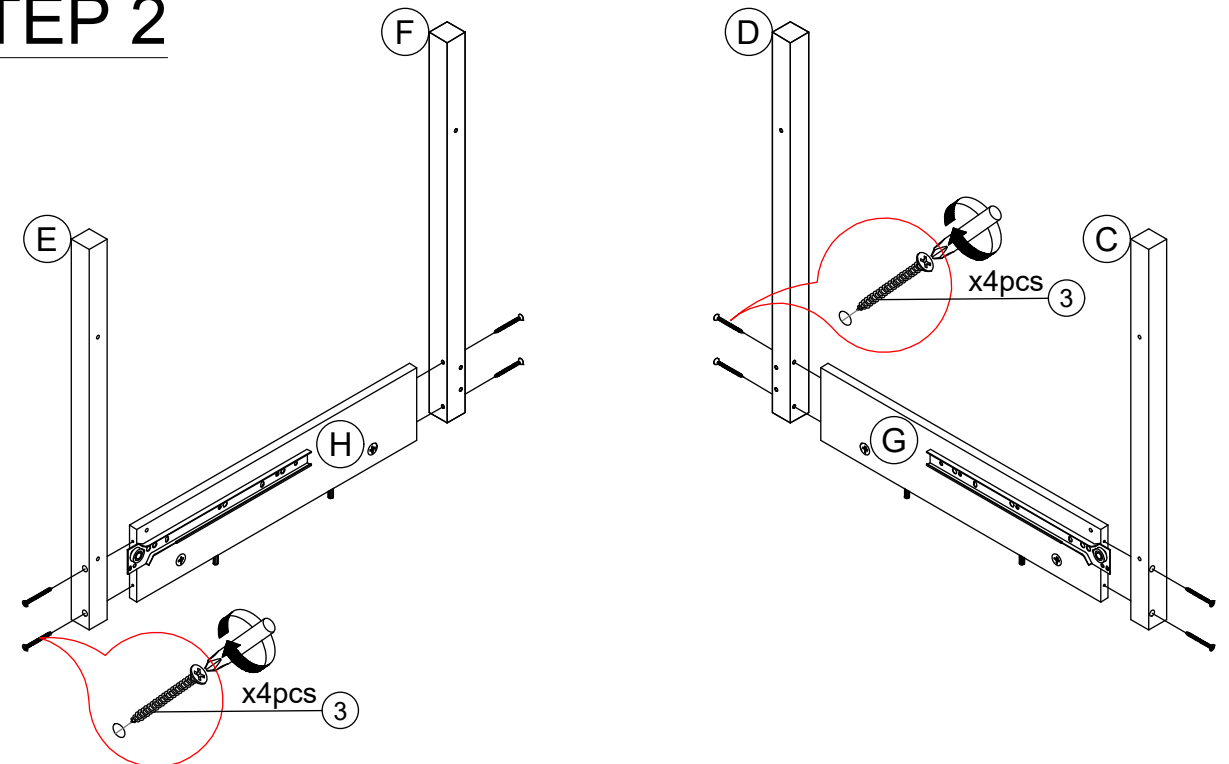
ASSEMBLY INSTRUCTIONS

BEFORE YOU BEGIN, PLEASE READ ASSEMBLY INSTRUCTIONS CAREFULLY, FOLLOW THEM STEP BY STEP.

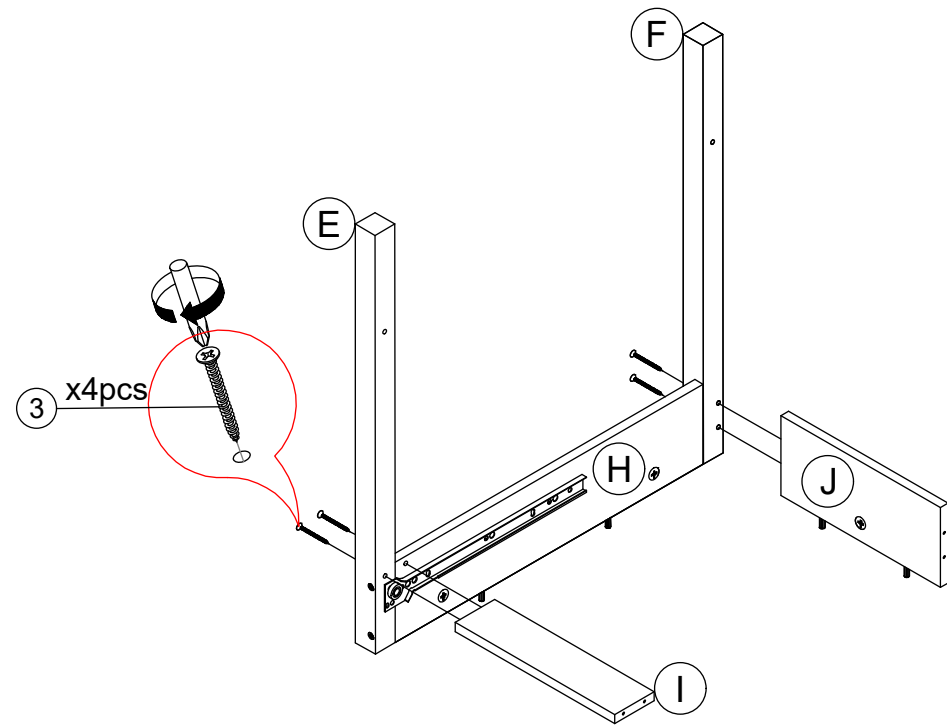
STEP 1



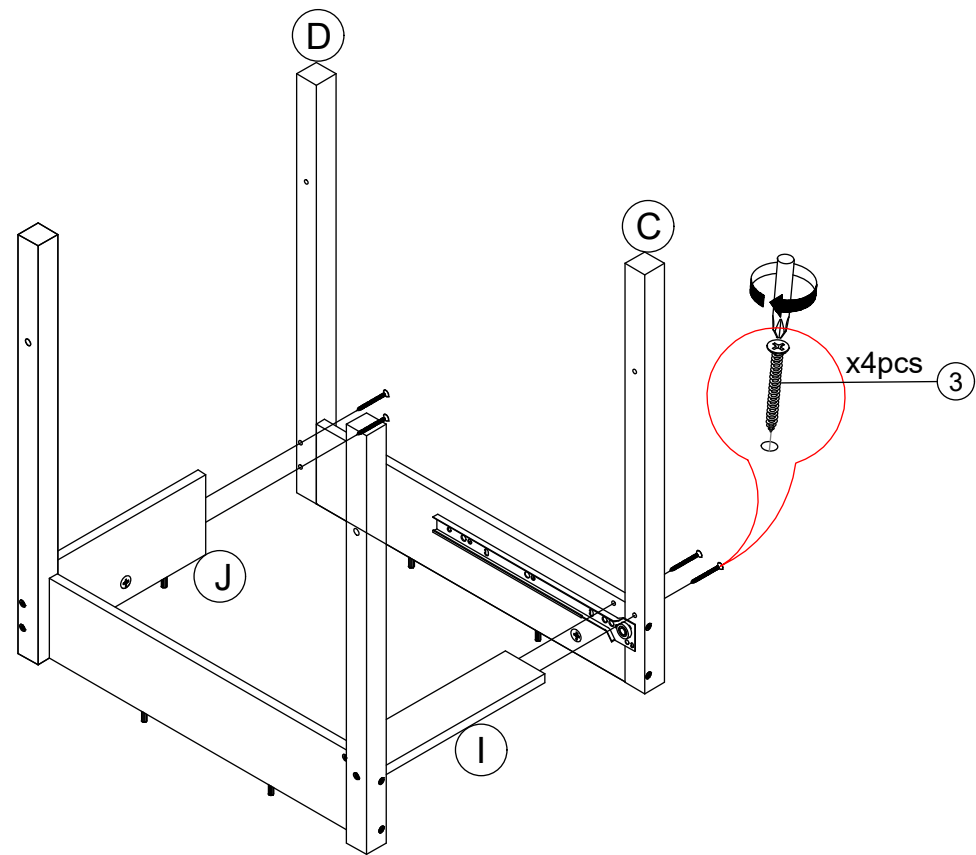
STEP 2



STEP 3

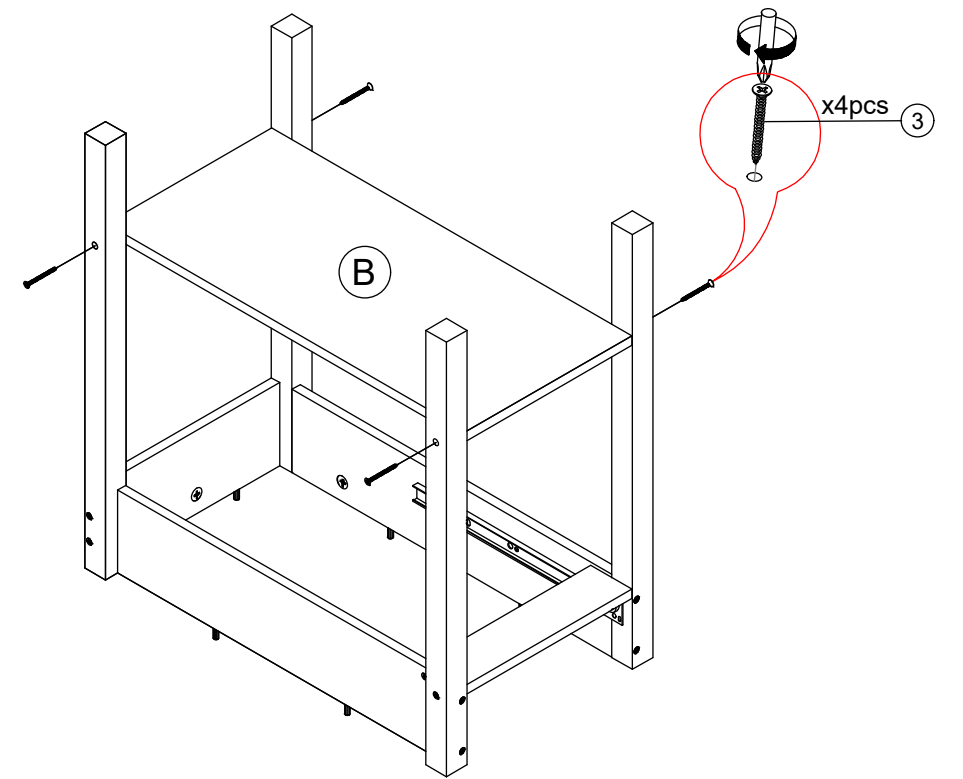


STEP 4

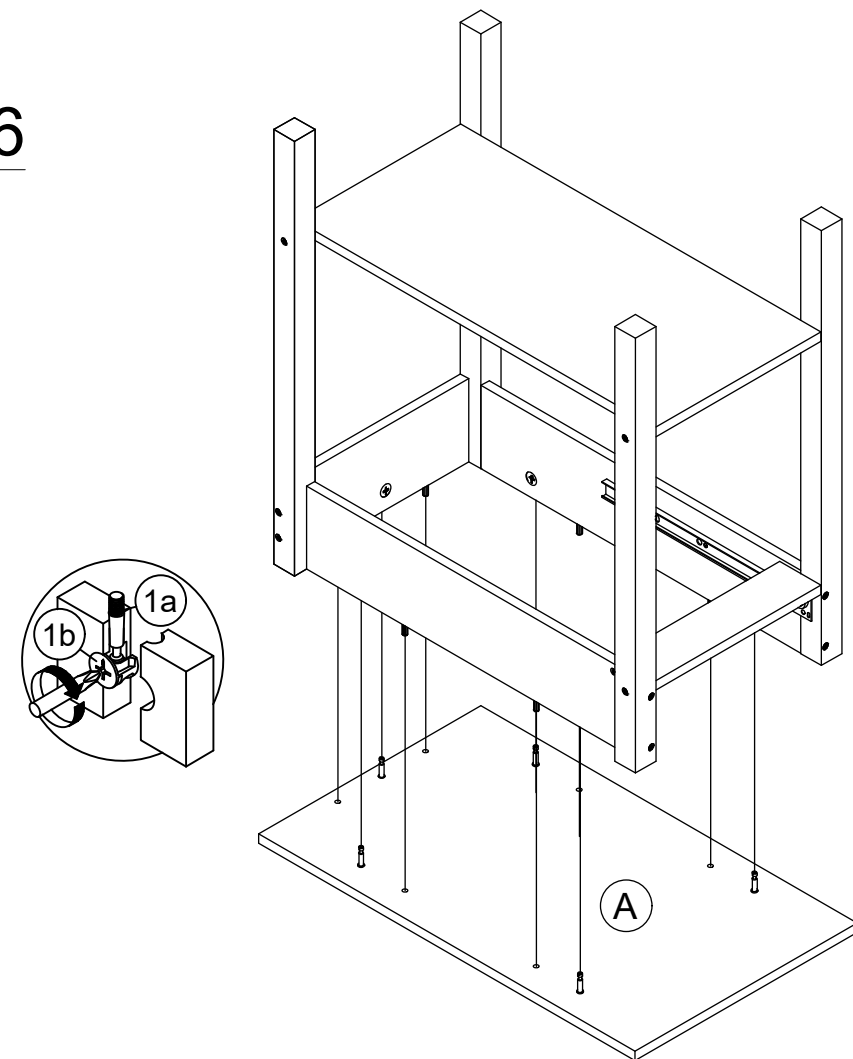


3

STEP 5



STEP 6



4