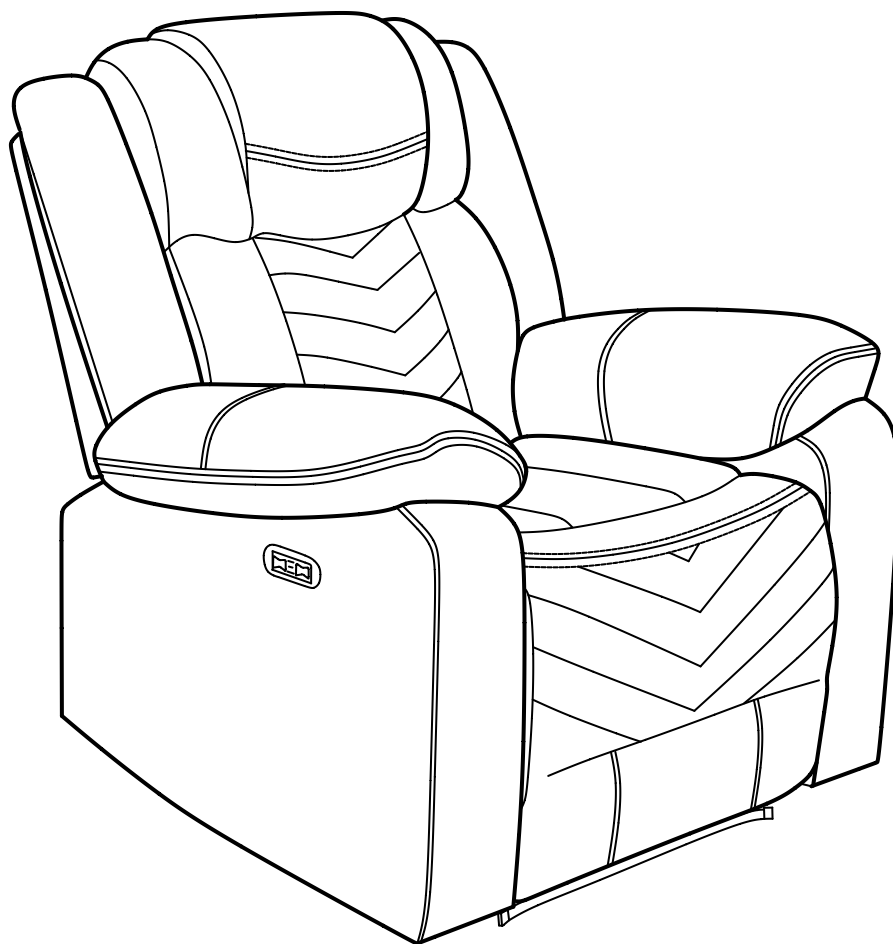


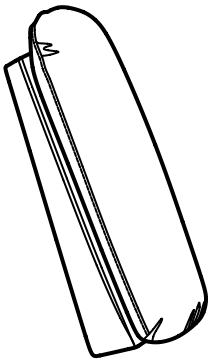
ASSEMBLY INSTRUCTIONS

ITEM SF261-1
POWER RECLINER WITH LED

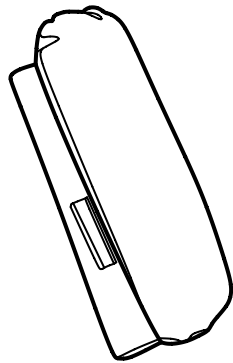


PARTS AND HARDWARE

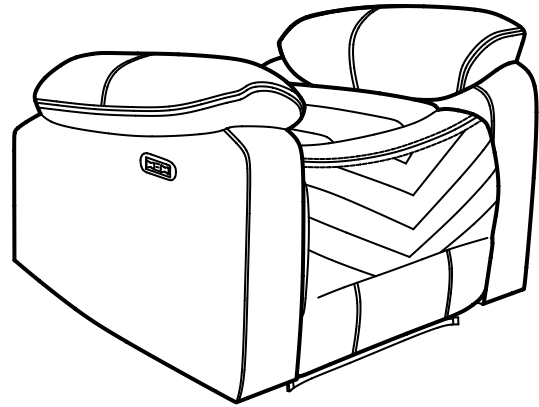
Avoid using sharp objects such as a knife to cut open packing as you may accidentally damage the upholstery



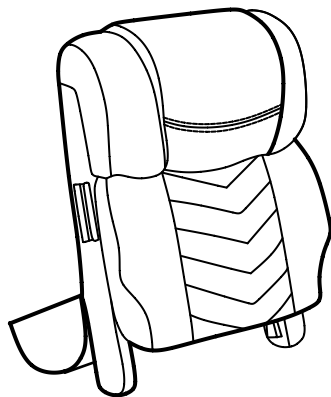
Left Ear 1x



Right Ear 1x



Seat Body 1x



Backrest 1x



Adapter 1x

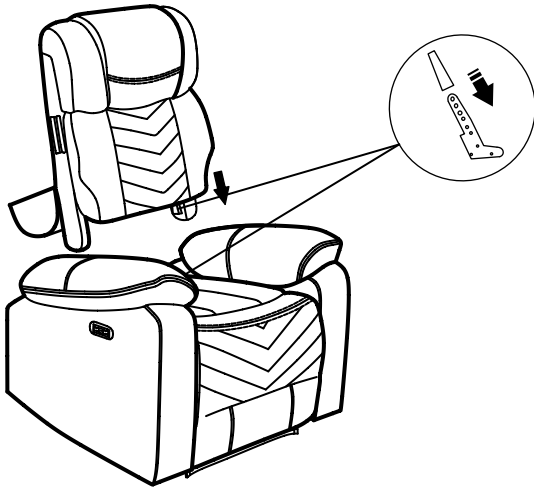
ASSEMBLY INSTRUCTIONS

CAUTION: At least two adults are required to safely complete performing this task.
Other lifting attempts may risk back injury due to large and heavy part(s)



1 Carefully unpack and place parts on a clean flat surface.

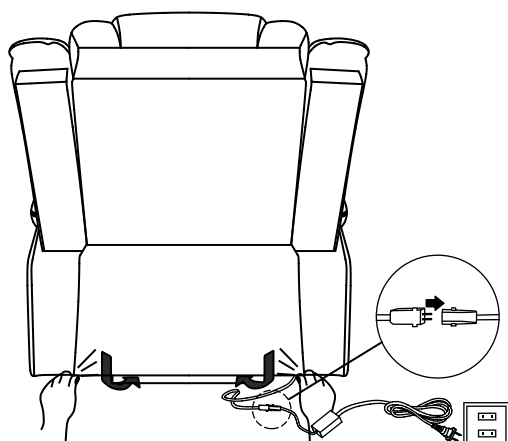
2 Attach Left, Middle and Right Backrest to the Seat Body. Ensuring it is correct in place.



3 Attach Left Ear to Left Backrest, Right Ear to Right Backrest. Ensuring it is correct in place.



4 Find power cable under bottom of the Seat Body. Then connect it to the power socket. Stretch and pull down rear cover evenly before securing velcro strip to Seat Body. Repeat if necessary for better fit.



POWER
SOCKET

*Adjust to Legrest Position

To raise or lower the legrest, press the respective button and hold it. Release the button when the legrest reaches the desired height.

