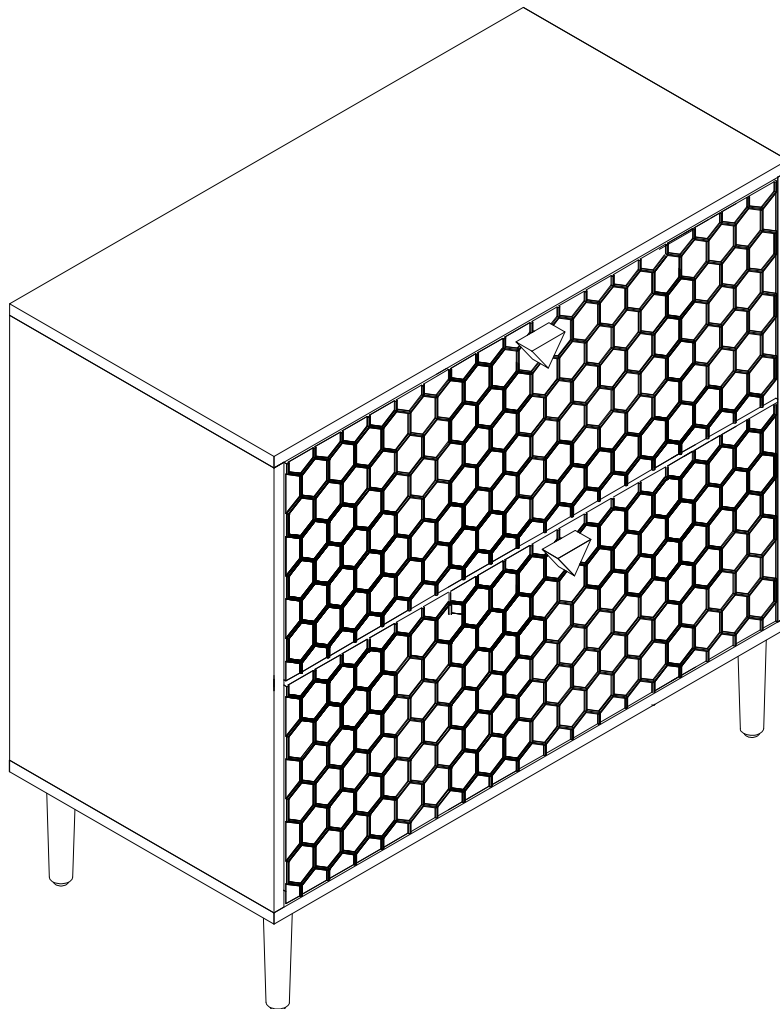


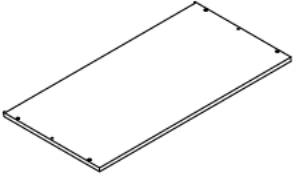
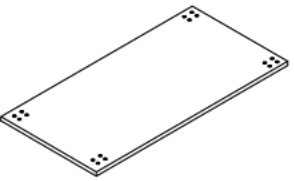
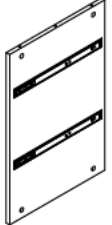
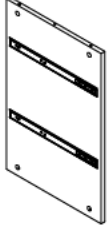
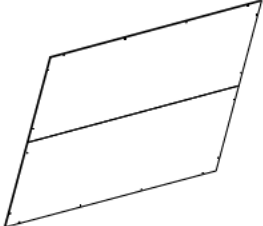

# ASSEMBLY INSTRUCTIONS

1. Before installation, please read the Assembly Instruction carefully.
2. Please check whether the Parts and Hardware are consistent with the list.
3. It is normal for the sealed environment to smell, not a product quality problem.

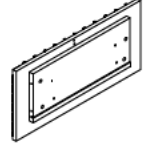
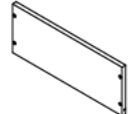
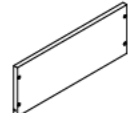
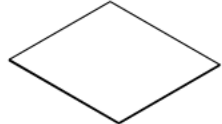
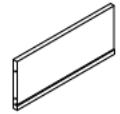


# ASSEMBLY INSTRUCTIONS

## Part List:

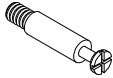





ITEM	DESCRIPTION	PART	QTY
1	Top panel		1
2	Bottom panel		1
3	Left side panel		1
4	Right side panel		1
5	Back panel		1
6	Leg		4

## Part List:







ITEM	DESCRIPTION	PART	QTY
7	drawer front		2
8	drawer right side		2
9	drawer left side		2
10	drawer bottom		2
11	drawer back		2

## ASSEMBLY INSTRUCTIONS

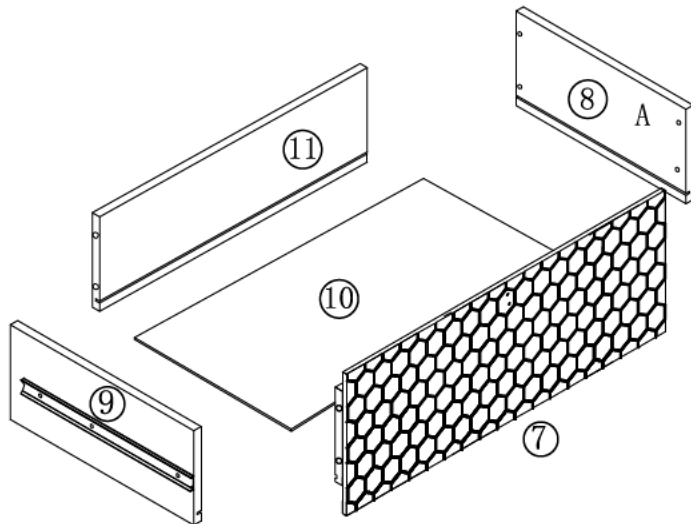
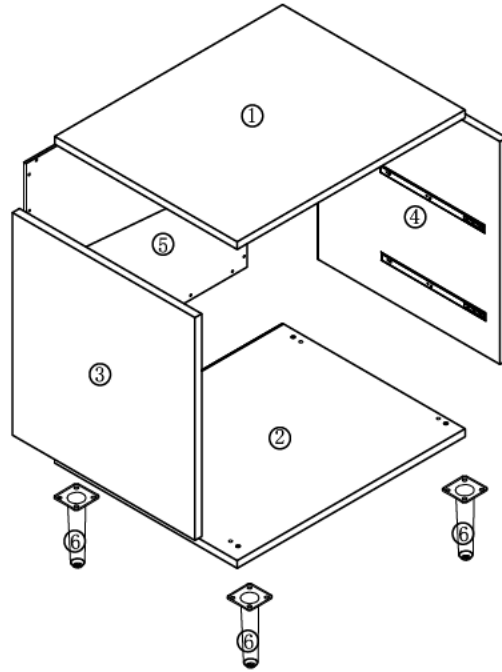
## Hardware List:

ITEM	DESCRIPTION	PART	QTY
A	Camlock bolt		24
B	Camlock		24
C	Wooden dowel	 Φ8*30mm	4
D	Bolt	 Φ1/4"*1/2"	16
E	Allen wrench		1
F	Handle		2

## Hardware List:



ITEM	DESCRIPTION	PART	QTY
G	Machine screw	 Φ5/32"*1 1/8"	4
H	Back screw	 Φ3*12mm	14
I	Safety wall strap		1
J	Plastic anchor		1
K	Mounting screw	 Φ4*38mm	1
L	Washer		1

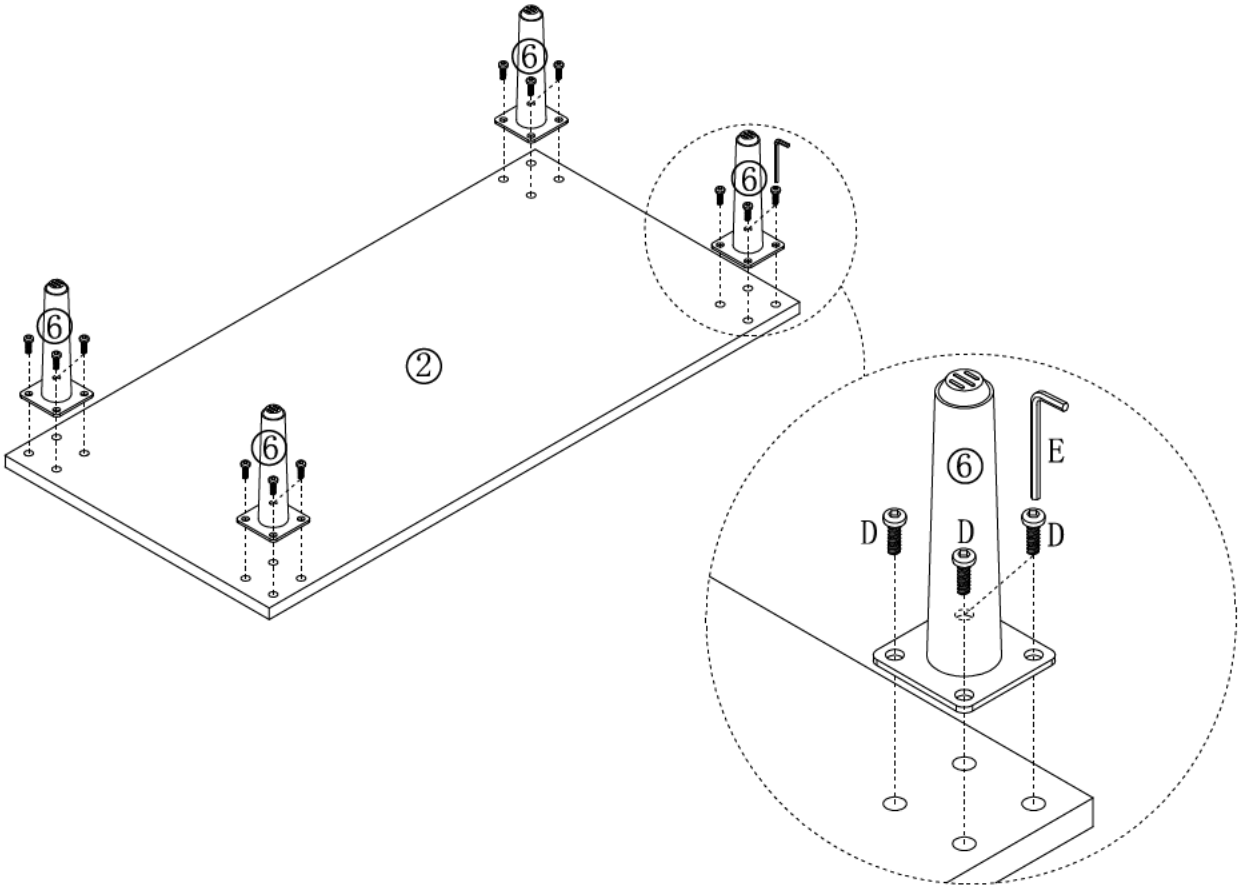
# ASSEMBLY INSTRUCTION



# ASSEMBLY INSTRUCTION

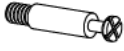


## STEP 1

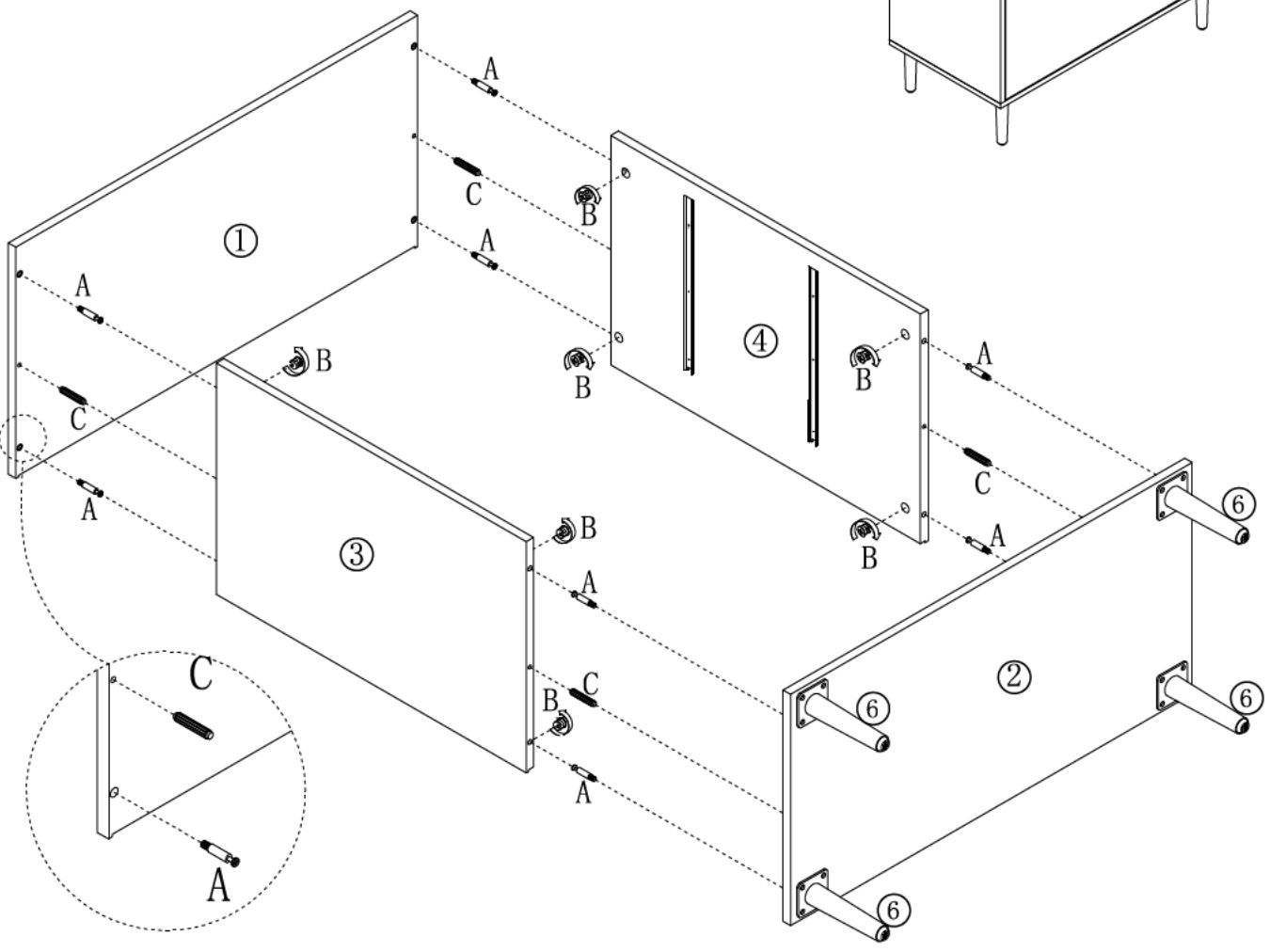
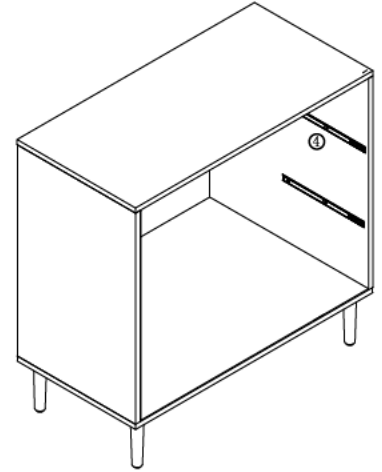
- D:  16PCS
- E:  1PC





# ASSEMBLY INSTRUCTION

## STEP 2

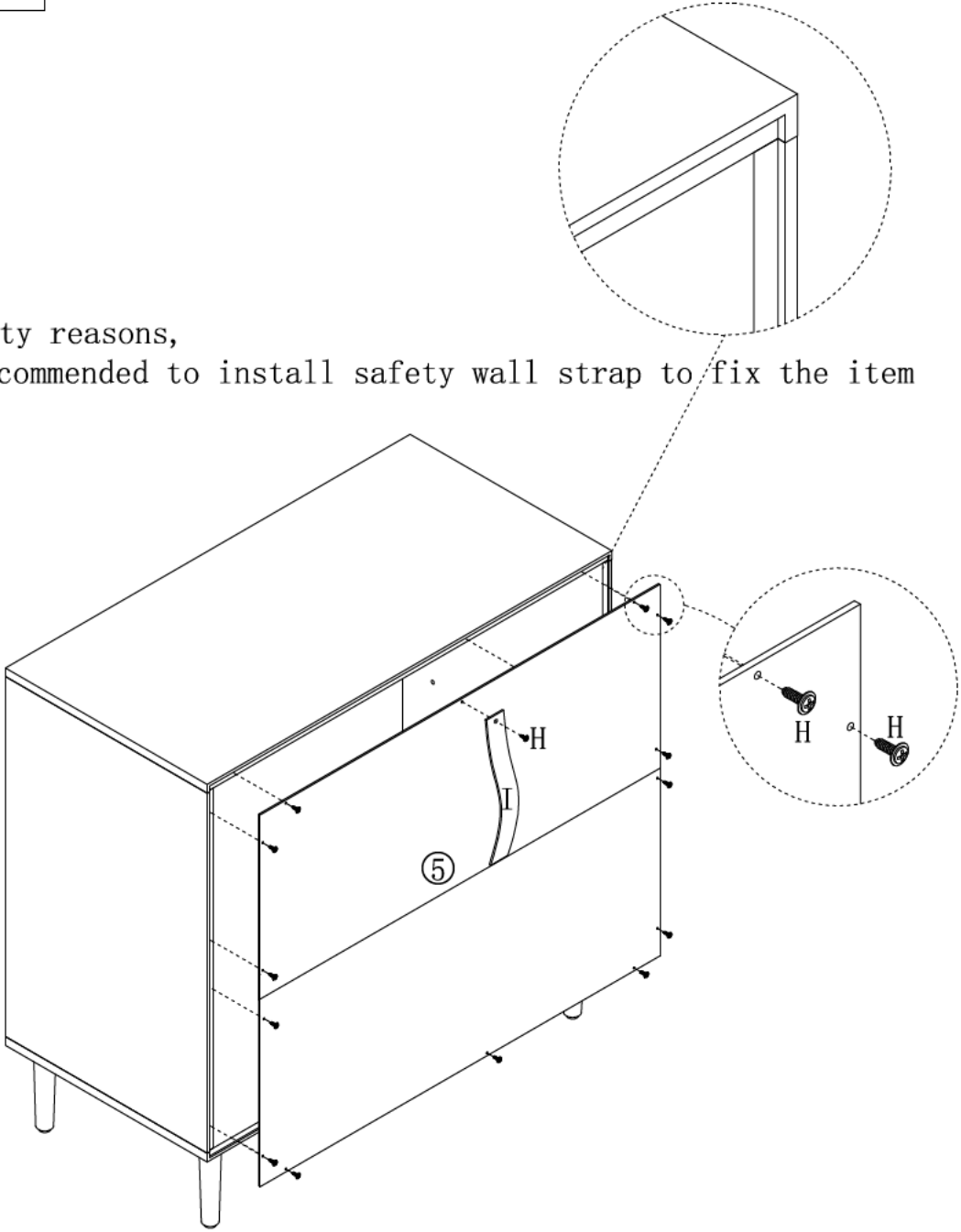
A:		8PCS
B:		8PCS
C:		4PCS



STEP 3





H:		14PCS
I:		1PC

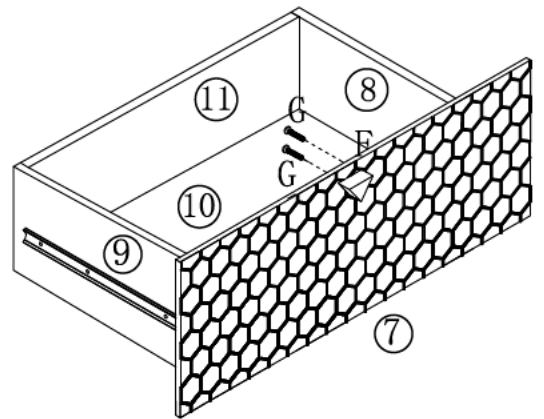
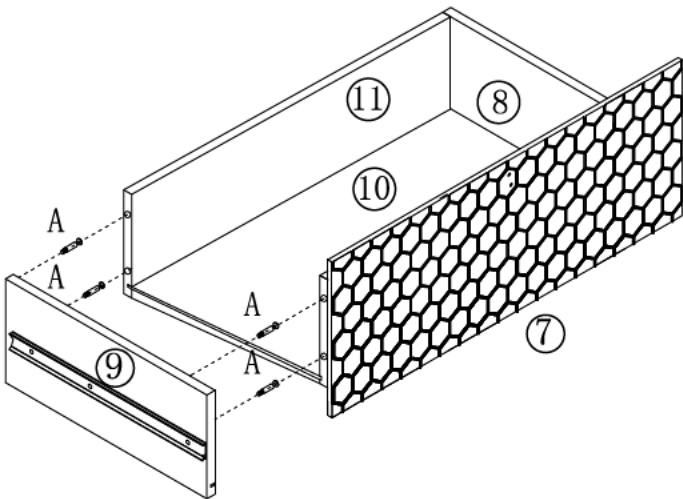
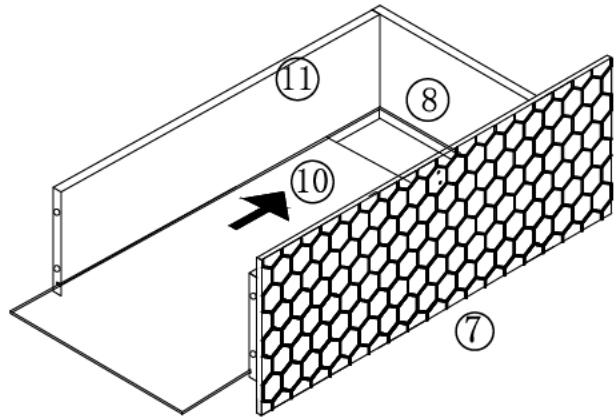
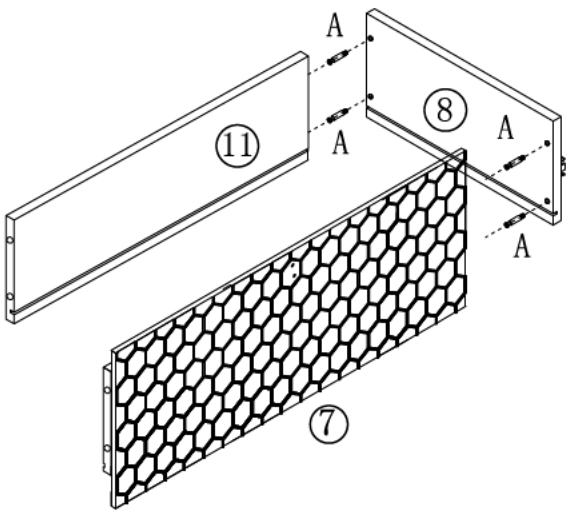
For safety reasons,  
it is recommended to install safety wall strap to fix the item



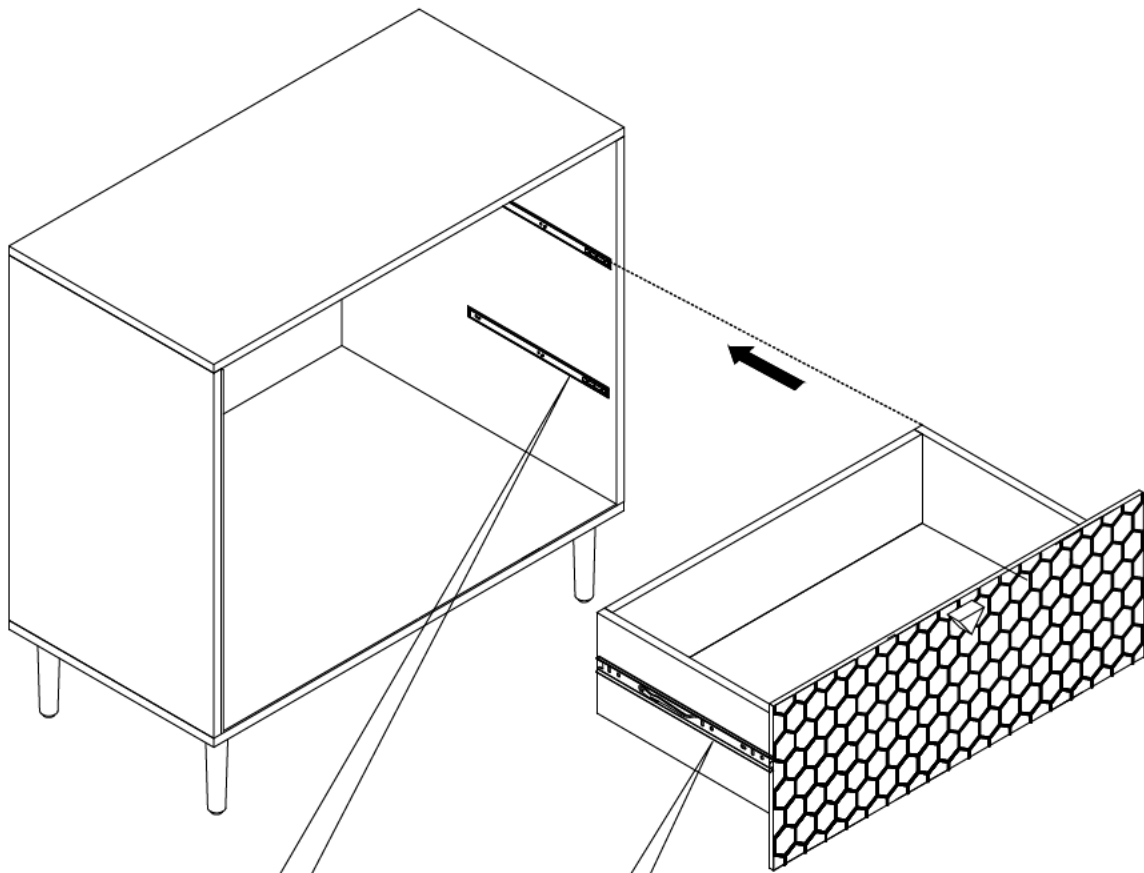
# ASSEMBLY INSTRUCTION

## STEP 4

A:		16PCS
B:		16PCS
G:		4PC
F:		2PCS



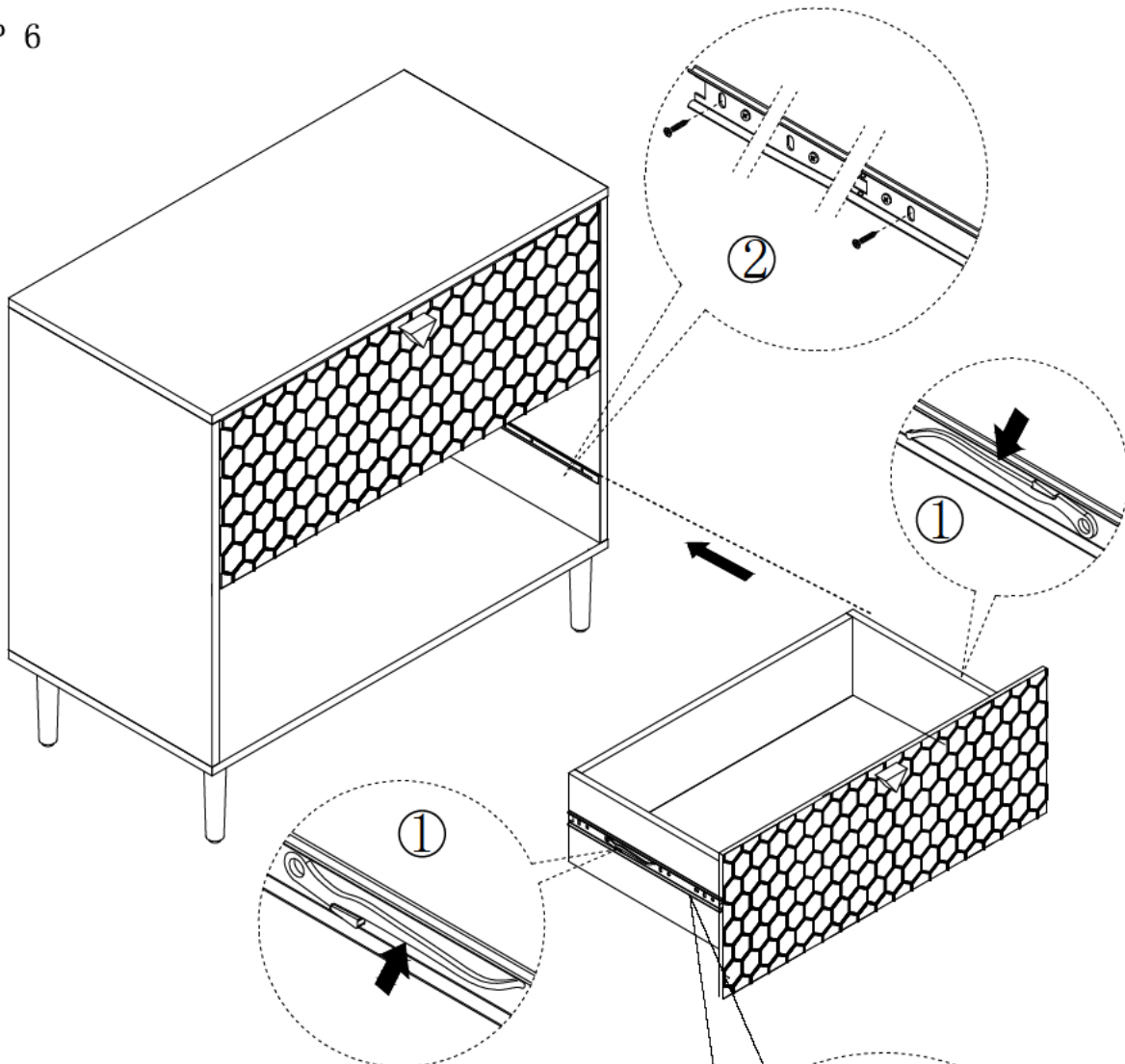
## STEP 5



Tip: the front of the drawer, if there is tilt, do not force out, can be adjusted according to these two positions, please refer to the following steps.

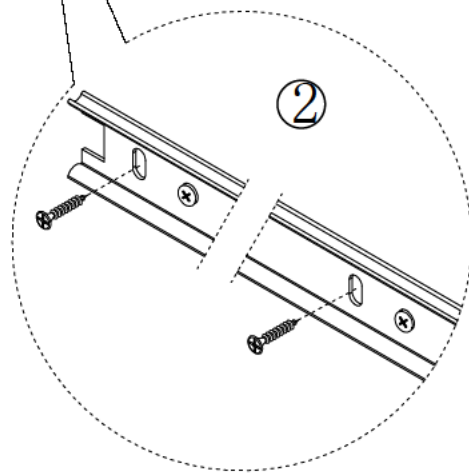
## ASSEMBLY INSTRUCTION

### STEP 6

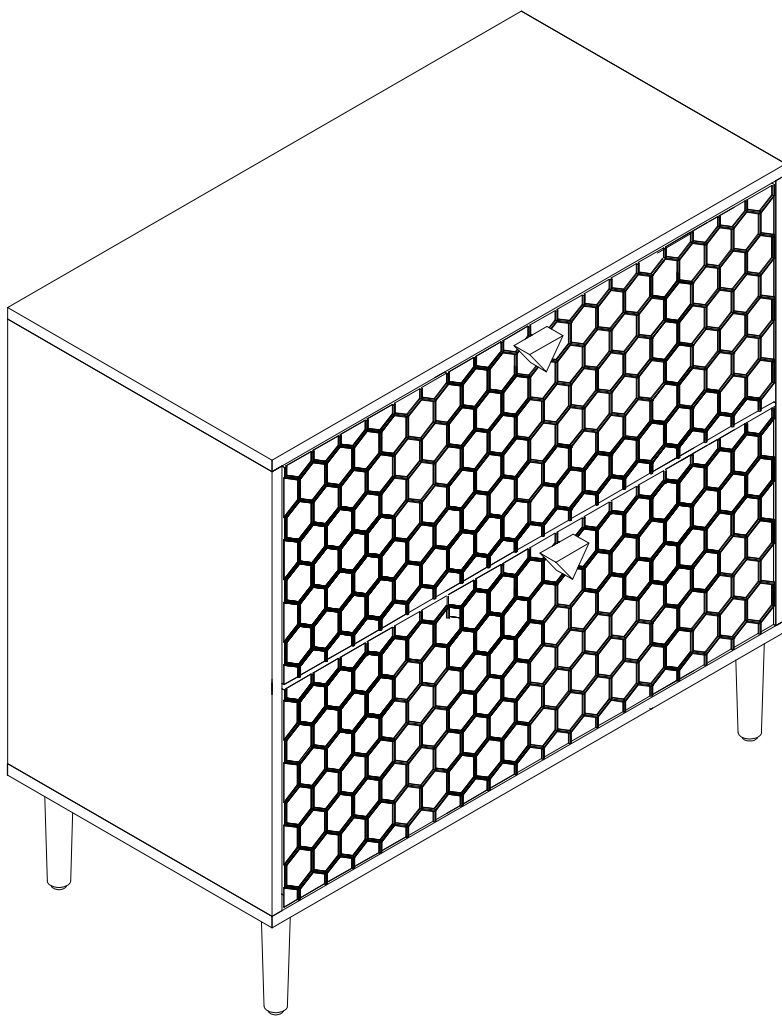


1. Hold down the PVC buckle on the rails on both sides of the suction drum, and gently pull out the suction drum;




2. Loosen the screw of the original fixed track on the suction drum and the side plate, lock it up and fix it by adjusting the position of the hole next to it up and down, then install it into the suction drum.



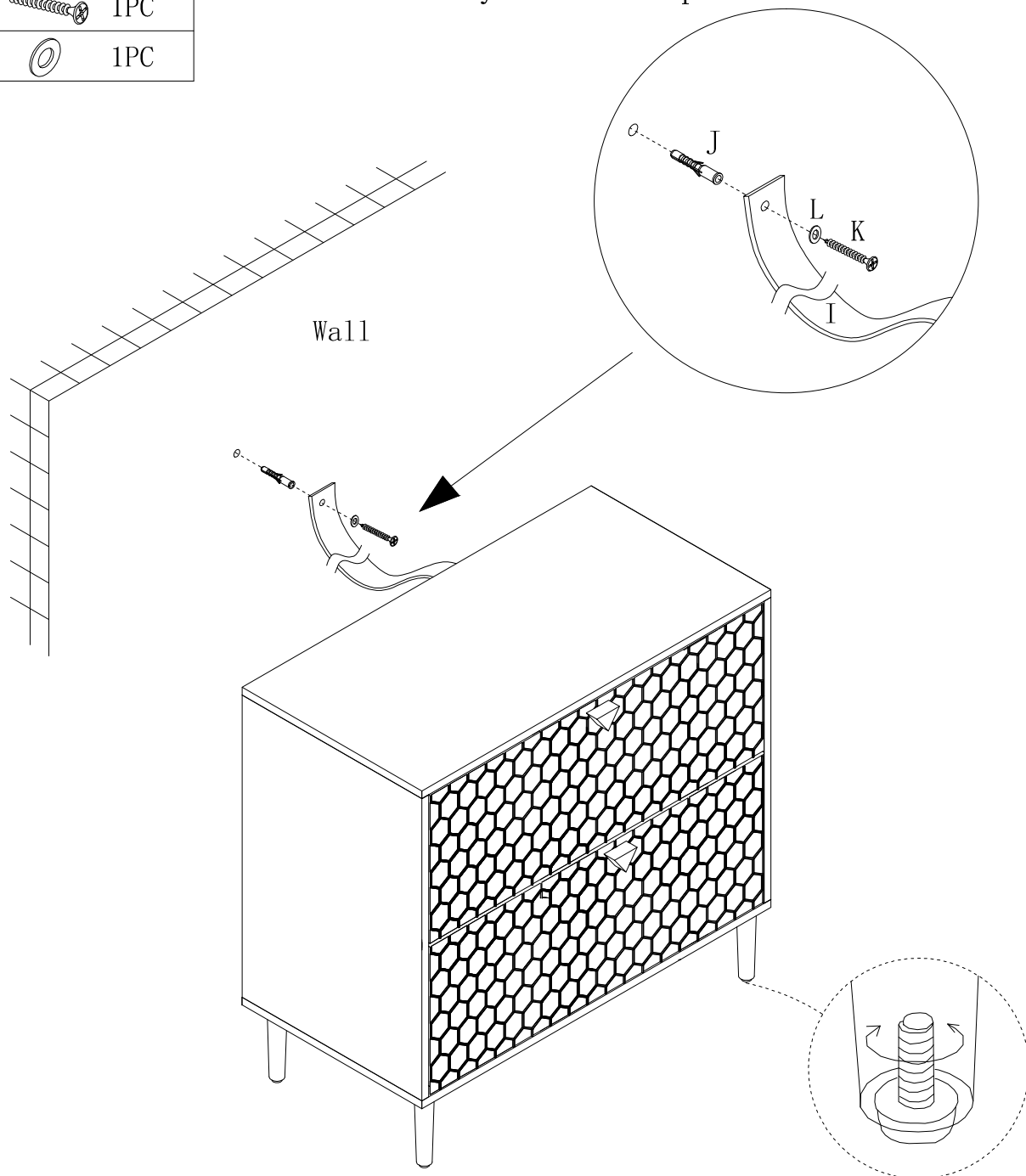
STEP 7



STEP 8

J:		1PC
K:		1PC
L:		1PC

For safety reasons,  
it is recommended to install  
safety wall strap to fix the item



Tips : Adjustable foot pegs, you can adjust  
the right height to keep the balance of the  
item.