

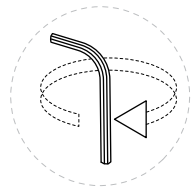
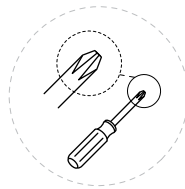
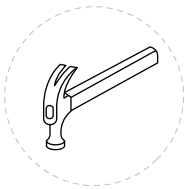
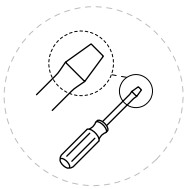
# USER'S MANUAL

## 3 Pieces Wicker Bistro Set

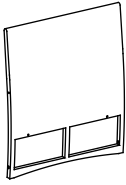


# Before You Start

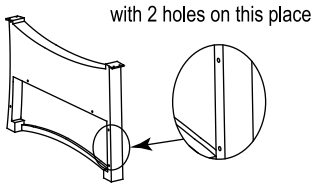
- ⚠ Read each step carefully before starting. It is very important to ensure each step followed in correct order, otherwise assembly difficulties may occur.
- ⚠ Most of board parts are labeled or stamped on the raw edges. Have a check to make sure all parts are included.
- ⚠ Work in a spacious area, preferably on a carpet close to where the unit will be used.
- ⚠ Keep the handtools close at hand. Do not use power tools to assemble your furniture. They may scratch or damage the parts.



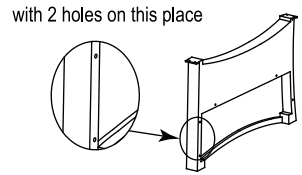
## Part List



**1** x2 pcs  
Backrest



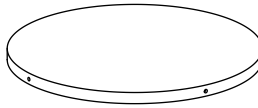
**2** x2 pcs  
Left Leg Frame



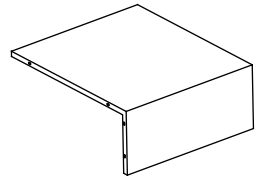
**3** x2 pcs  
Right Leg Frame



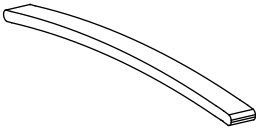
**4** x8 pcs  
Wooden leg



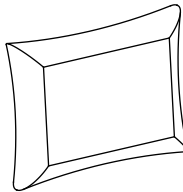
**5** x1 pc  
Table shelf



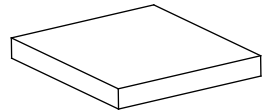
**6** x2 pcs  
Seat panel



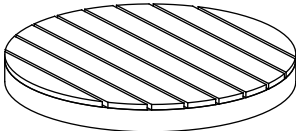
**7** x4 pcs  
Armrest



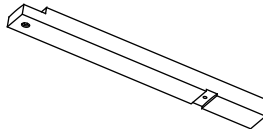
**8** x2 pcs  
Pillow



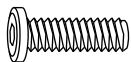
**9** x2 pcs  
Seat Cushion



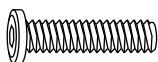
**10** x1 pc  
Table top



**11** x4 pcs  
Table legs



M6x25mm Bolt  
Ⓐ x8pcs



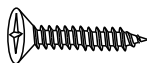
M6x35mm Bolt  
Ⓑ x16pcs



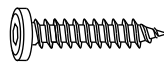
M6x55mm Bolt  
Ⓒ x4pcs



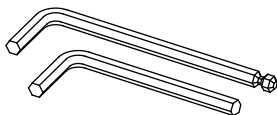
M4x15mm Screw  
Ⓓ x16pcs



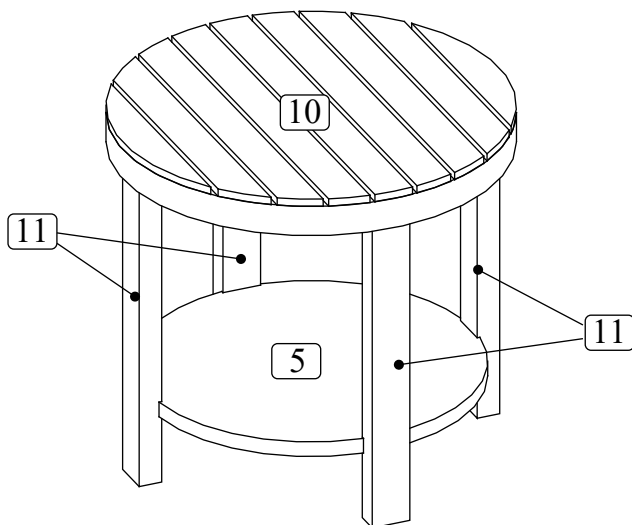
M4x20mm Screw  
Ⓔ x8pcs

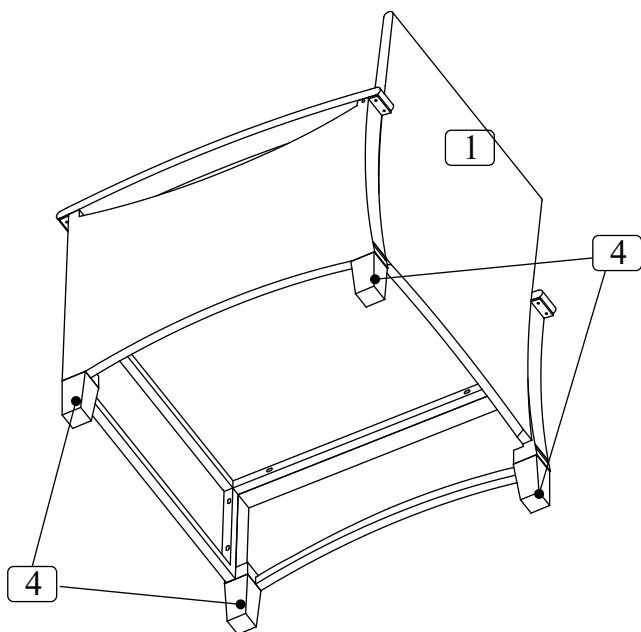
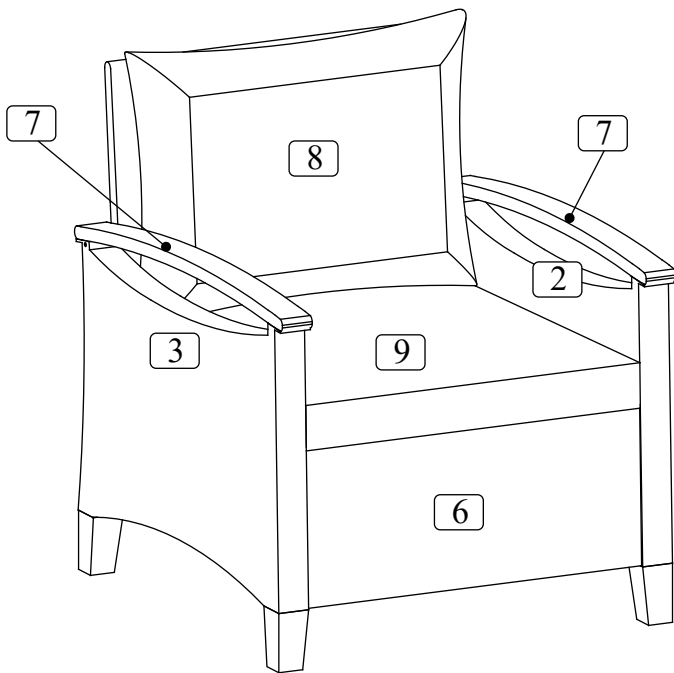


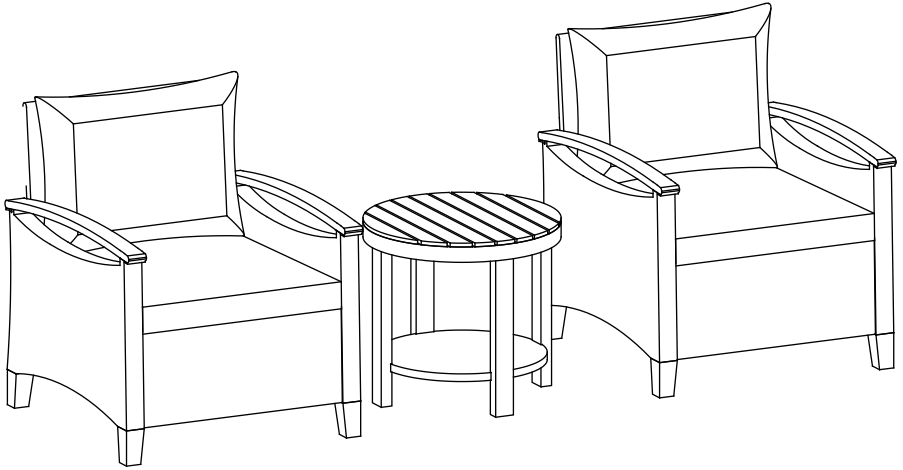
M6x30mm Screw  
Ⓕ x8pcs



Allen key  
Ⓖ x2pcs

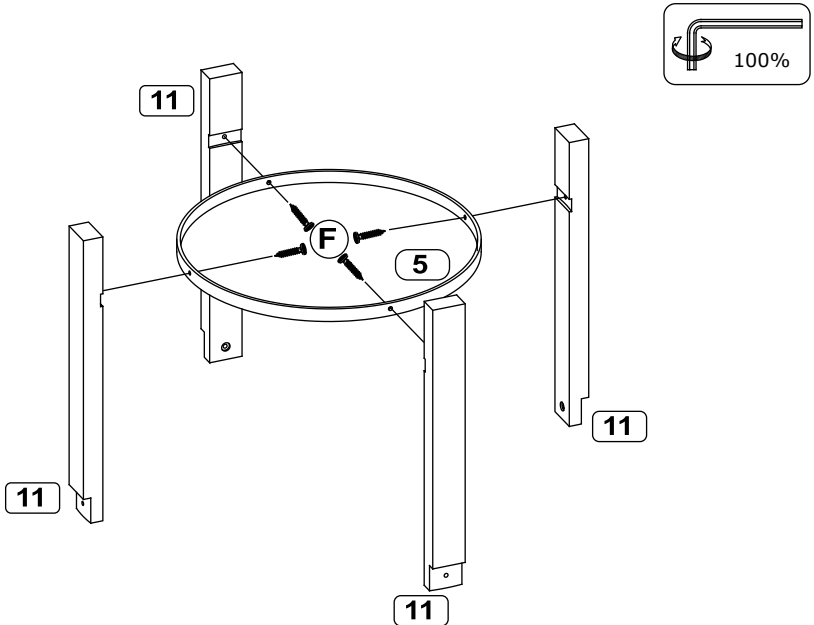


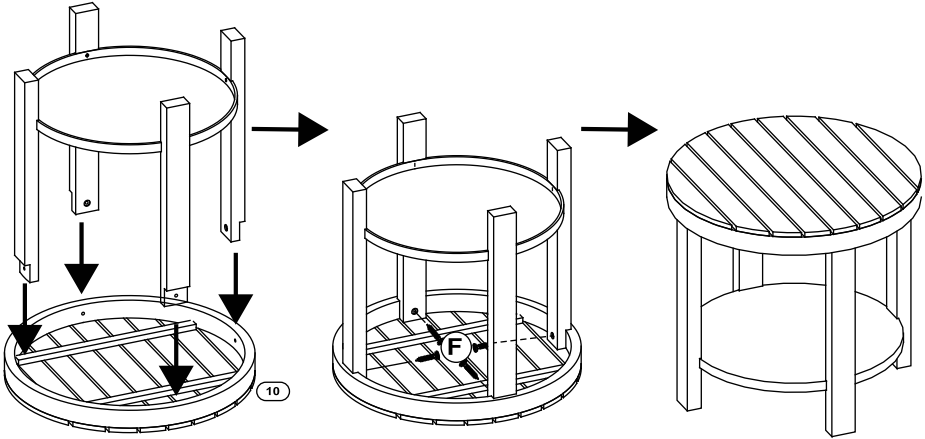
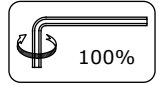
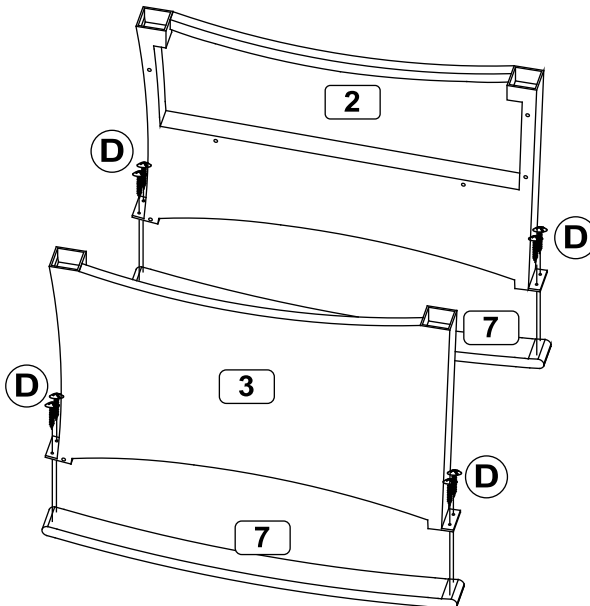
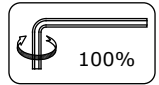




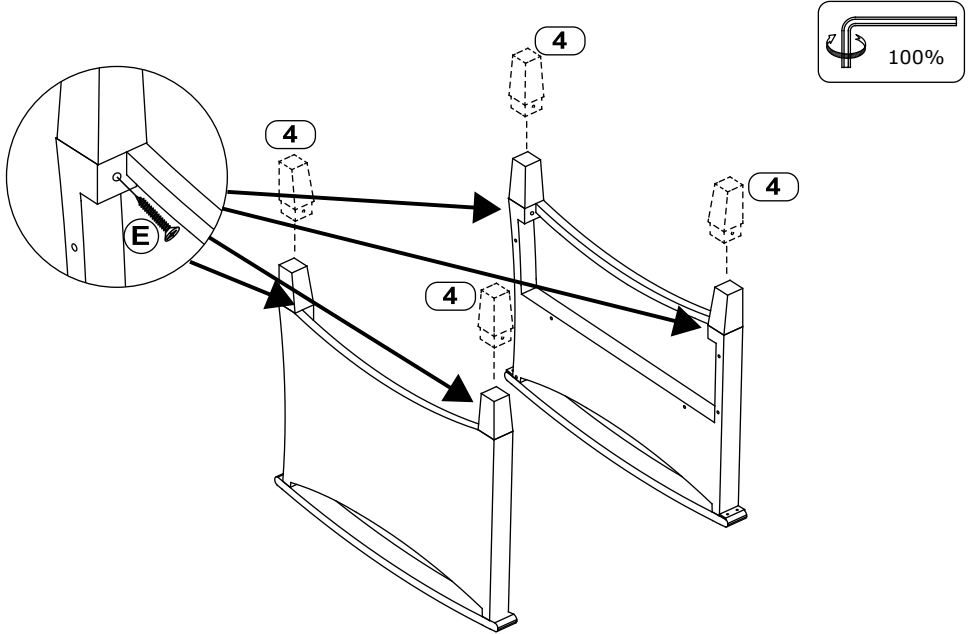
**STEP 1:**

---

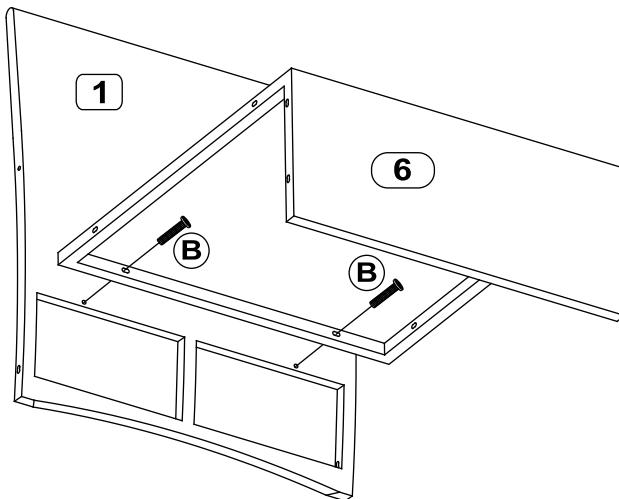
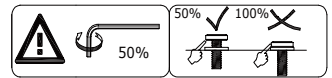


**STEP 2 :****STEP 3: X2**

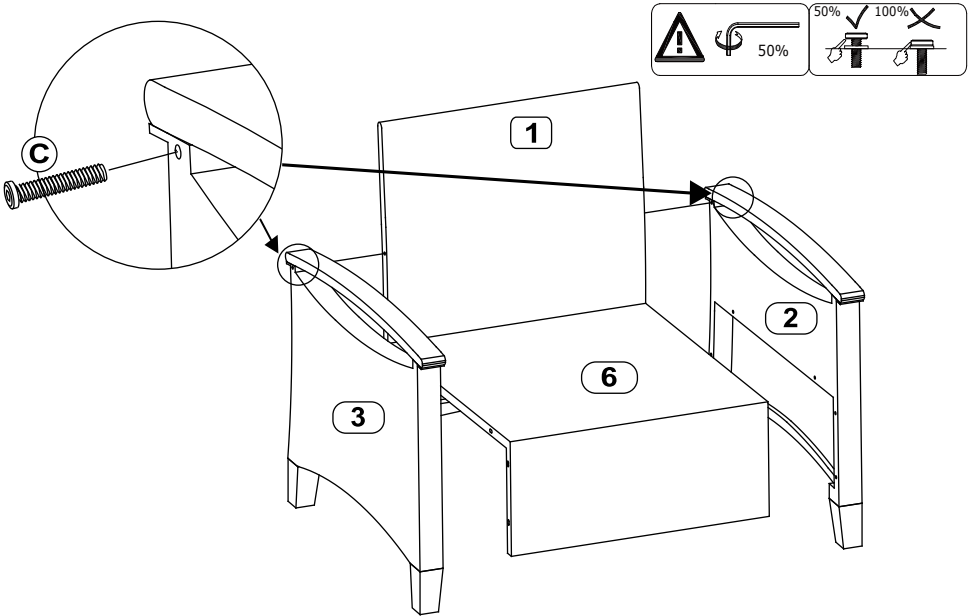
## STEP 4: X2



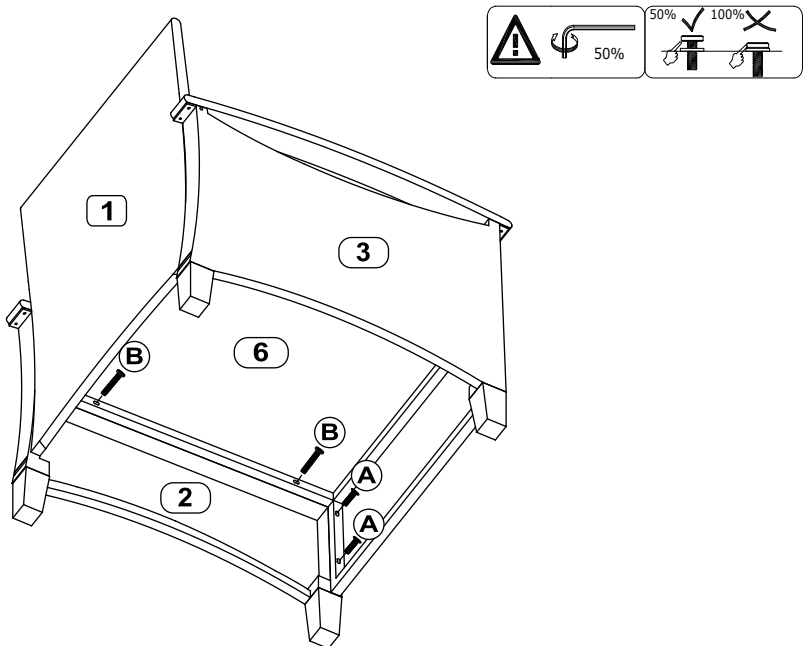
## STEP 5: X2



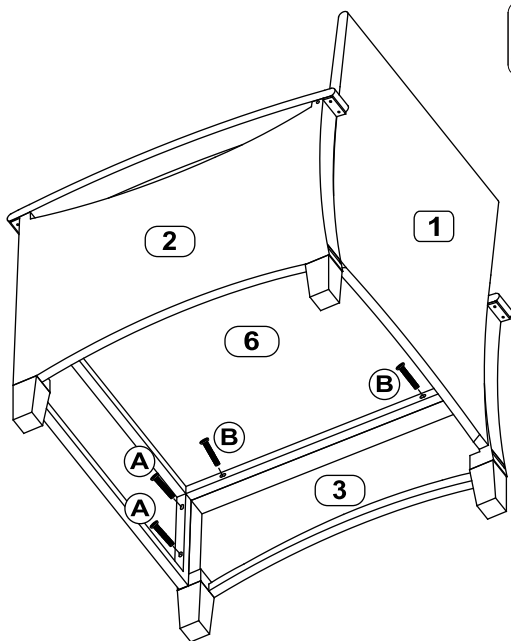
## STEP 6: X2



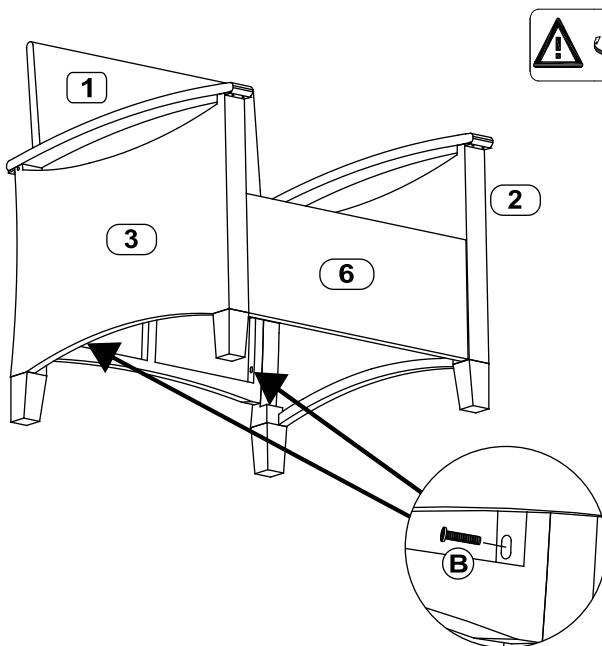
## STEP 7: X2

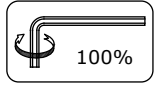
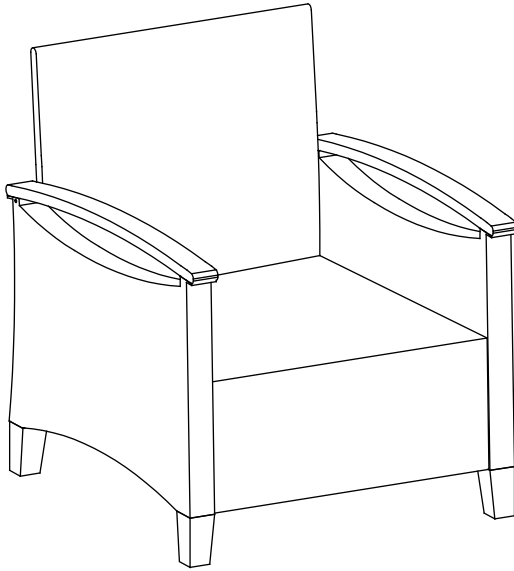
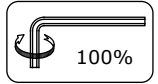
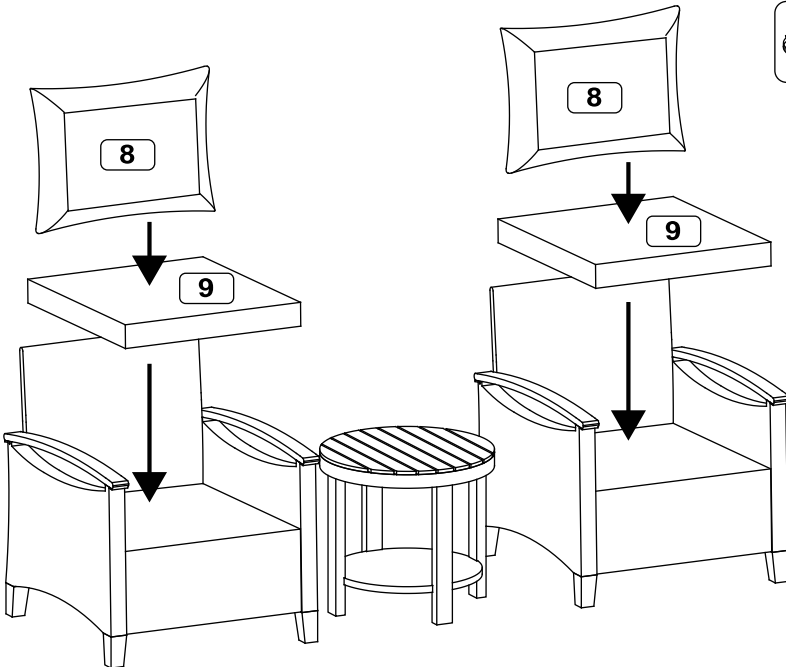


## STEP 8: X2



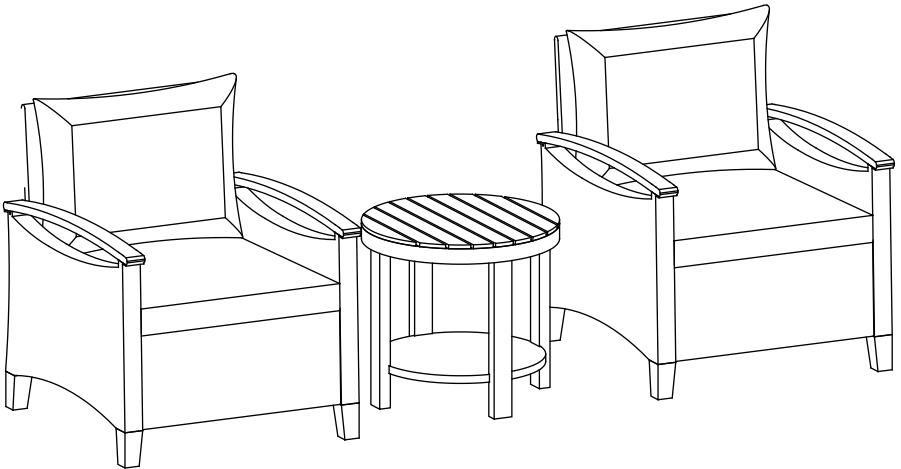
## STEP 9: X2



**STEP 10: X2****STEP 11:**

**STEP 12:**

---



## Care and Maintenance

Use a soft, clean cloth that will not scratch the surface when dusting.

Use of furniture polish is not necessary.

Should you choose to use polish, test first in an inconspicuous area.

Using solvents of any kind on your furniture may damage the finish.

Never use water to clean your furniture as it may cause damage to the finish.

Liquid spills should be removed immediately. Using a soft clean cloth, blot the spill gently. Avoid rubbing.

Check bolts/screws periodically and tighten them if necessary.

## Further advice about wood furniture care

Please protect your outdoor furniture with a cover when not in use since long-term sunlight exposure will result in the damage on the surface.

In addition to sunlight damage, wood and metal frame suffers when exposed to extremes in temperature and humidity.

Proper care and cleaning at home will extend the life of your purchase.

Following these important and helpful tips will enhance your furniture as it ages.