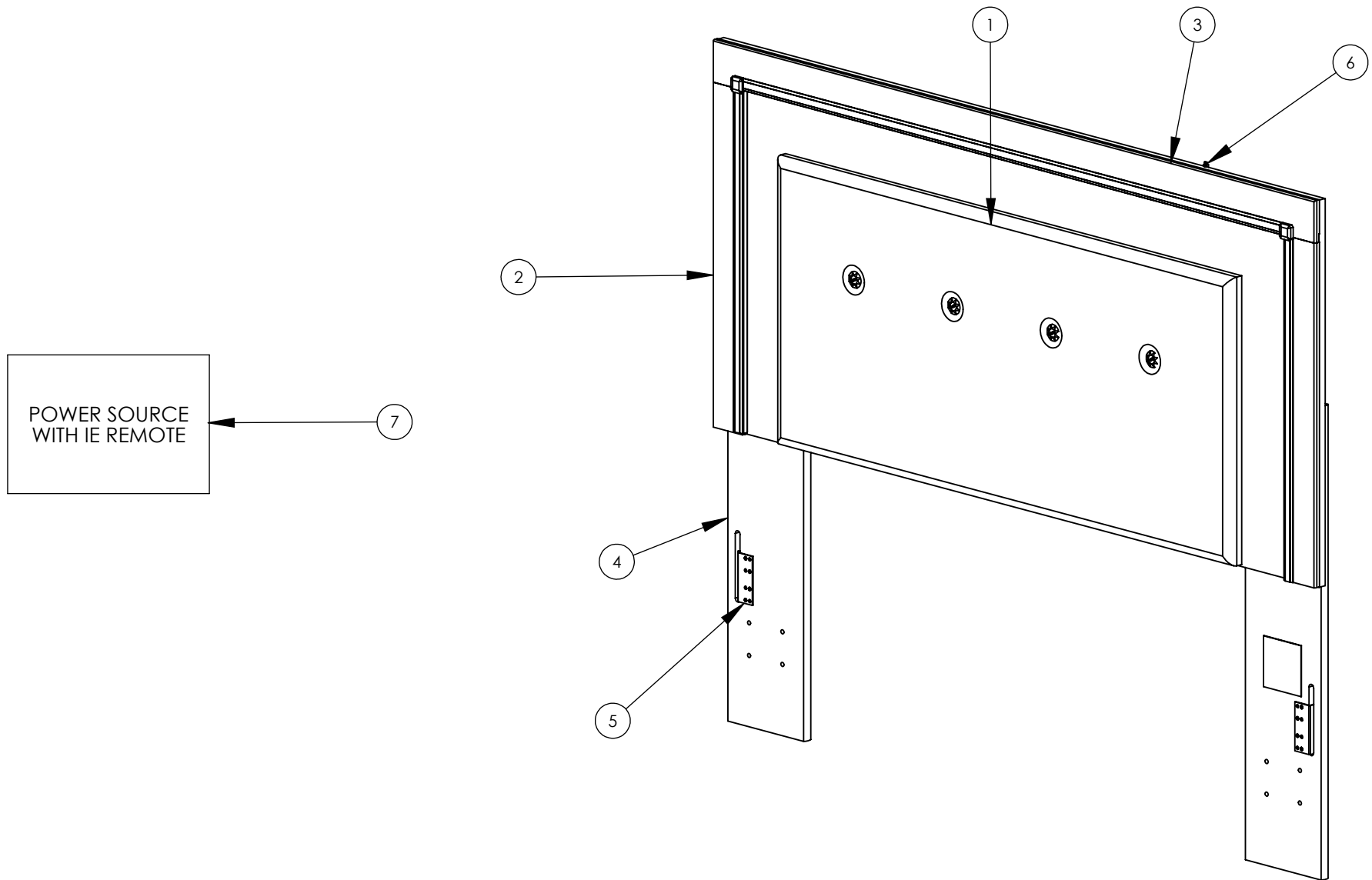


| Item# | Qty | Description | MATERIAL |
|-------|-----|----------------------------|--------------|
| 1 | 1 | UPHOLSTERED PANEL ASSEMBLY | FABRIC/WOOD |
| 2 | 2 | VERT RAIL ASSEMBLY | WOOD/PLASTIC |
| 3 | 1 | TOP CAP ASSEMBLY | WOOD/PLASTIC |
| 4 | 2 | LEG | WOO |
| 5 | 2 | BEDLOCK | METAL |
| 6 | 1 | IR SENSOR | PLASTIC |
| 7 | 1 | POWER SOURE/IR REMOTE | TS |

| | | | |
|--|-------------|-----|--------|
| TOLERANCES ARE: METRIC----- +.5 / -.5mm DECIMAL----- 0 / -.005" FRACTIONAL----- +0/ -.1/32" (UNLESS OTHERWISE SPECIFIED) | | | |
| Desc: Headboard | | | |
| Rev. | Description | Dat | Cad/En |



POWER SOURCE
WITH IR REMOTE