
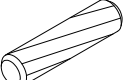




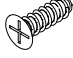


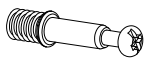

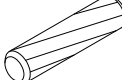
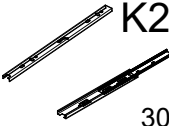
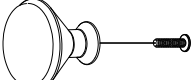
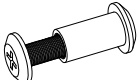



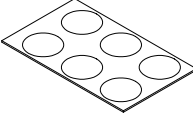
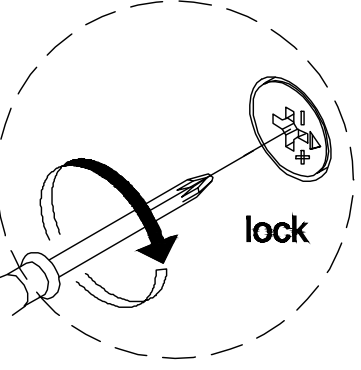
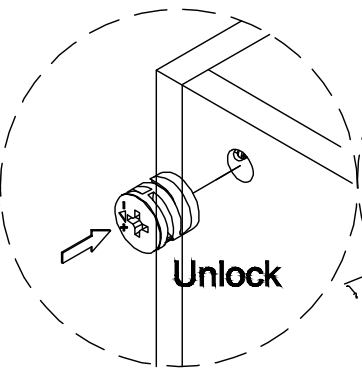
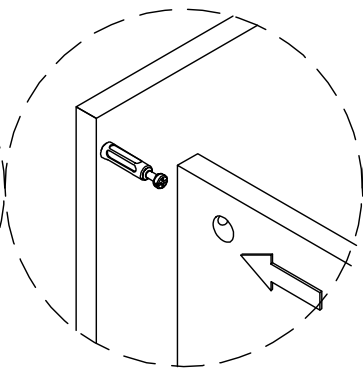
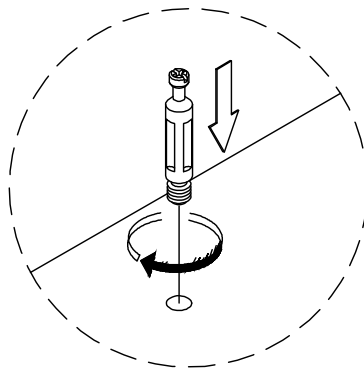
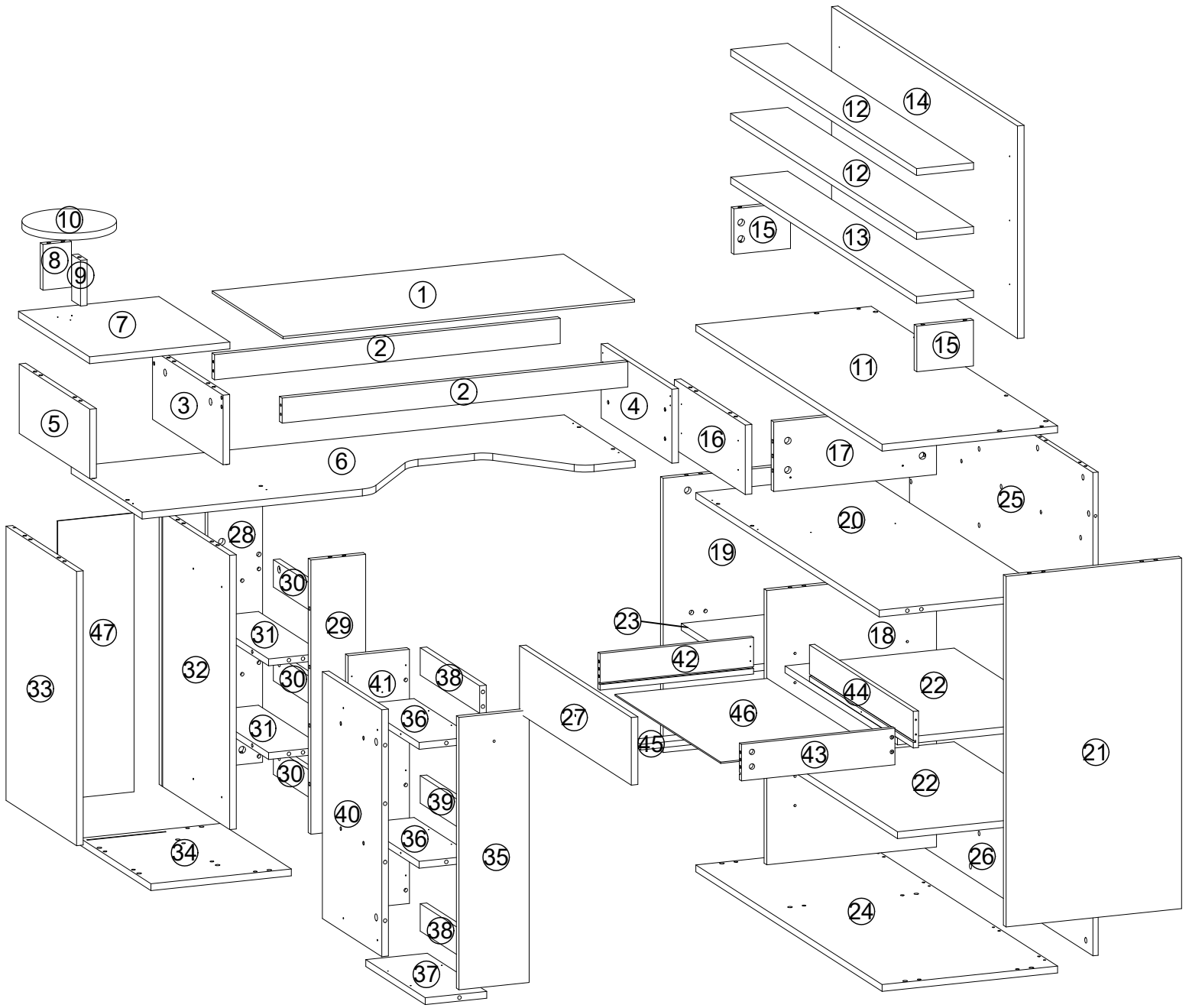
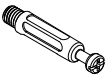
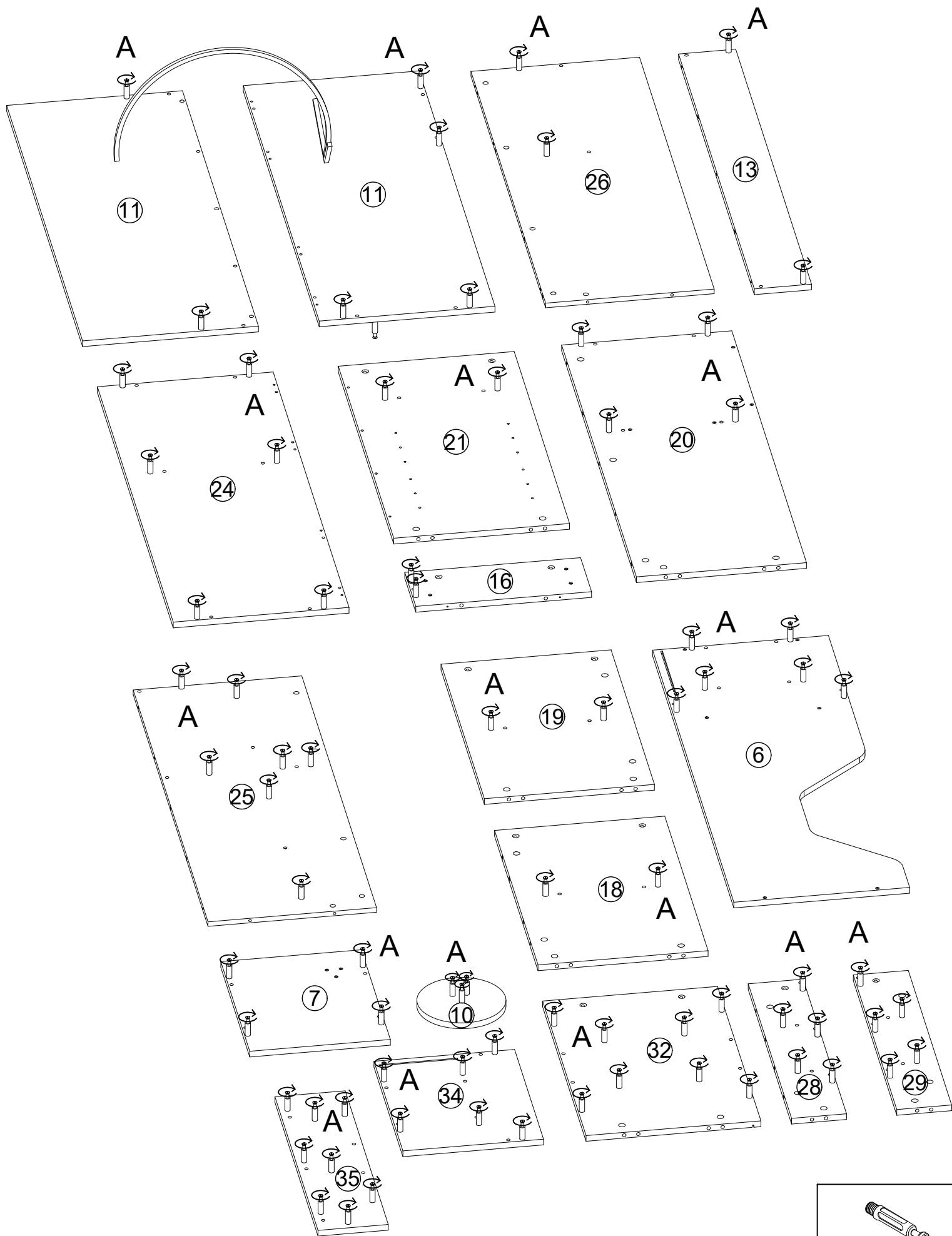
 φ6*38mm		 φ15*11mm									
A	X 80	B	X 80								
 φ8*40mm		350mm 		350mm 		350mm 		350mm 		 ST3.5*14mm	
C	X 87	CL	X 1	CR	X 1	DL	X 1	DR	X 1	D	X 30
 ST4*35mm		 7*50mm		 28mm		 15*10mm		 φ6*30mm		 K2 K1 300mm	
E	X 33	F	X 23	G	X 18	H	X 18	J	X 19	K	X 2
 18mm											
L	X 2	M	X 4	N	X 6	P	X 12	R	X 8	S	X 6

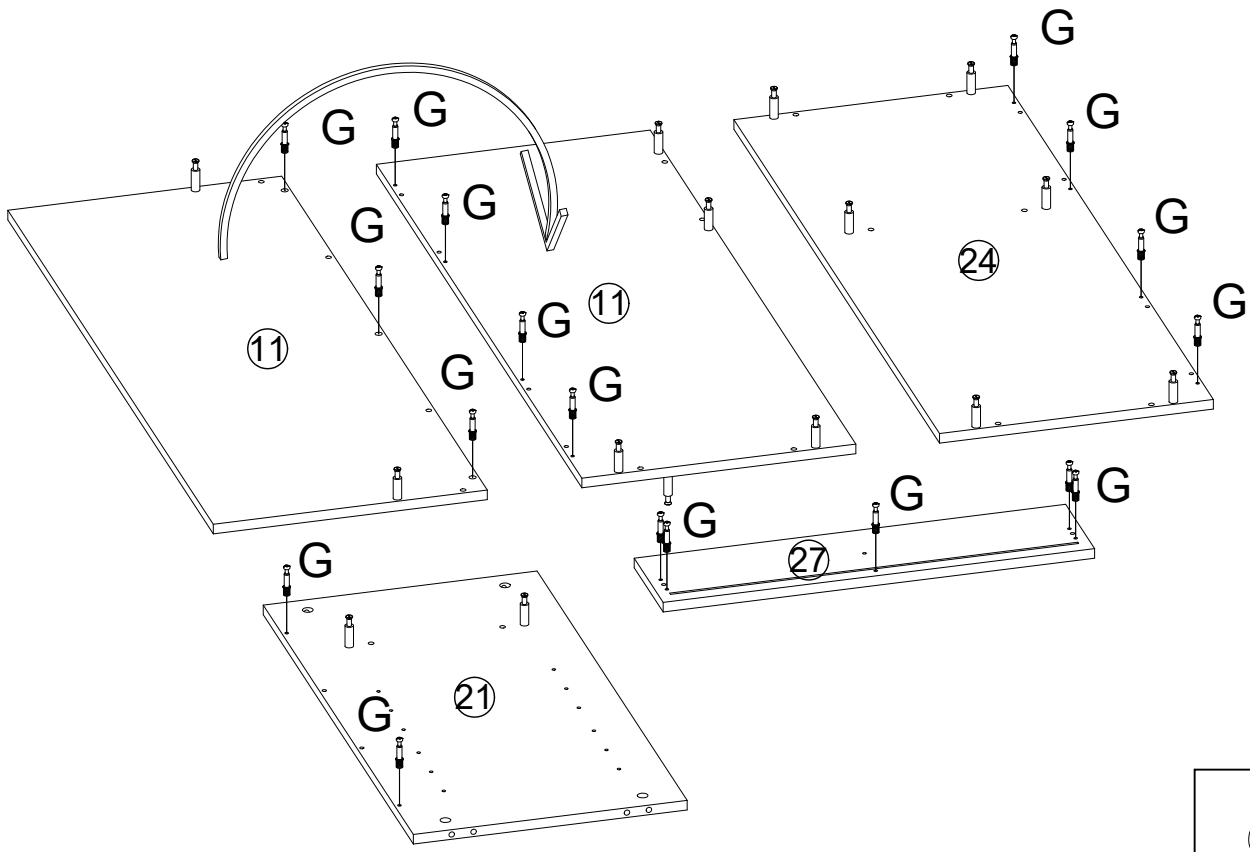


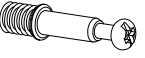


φ6\*38mm

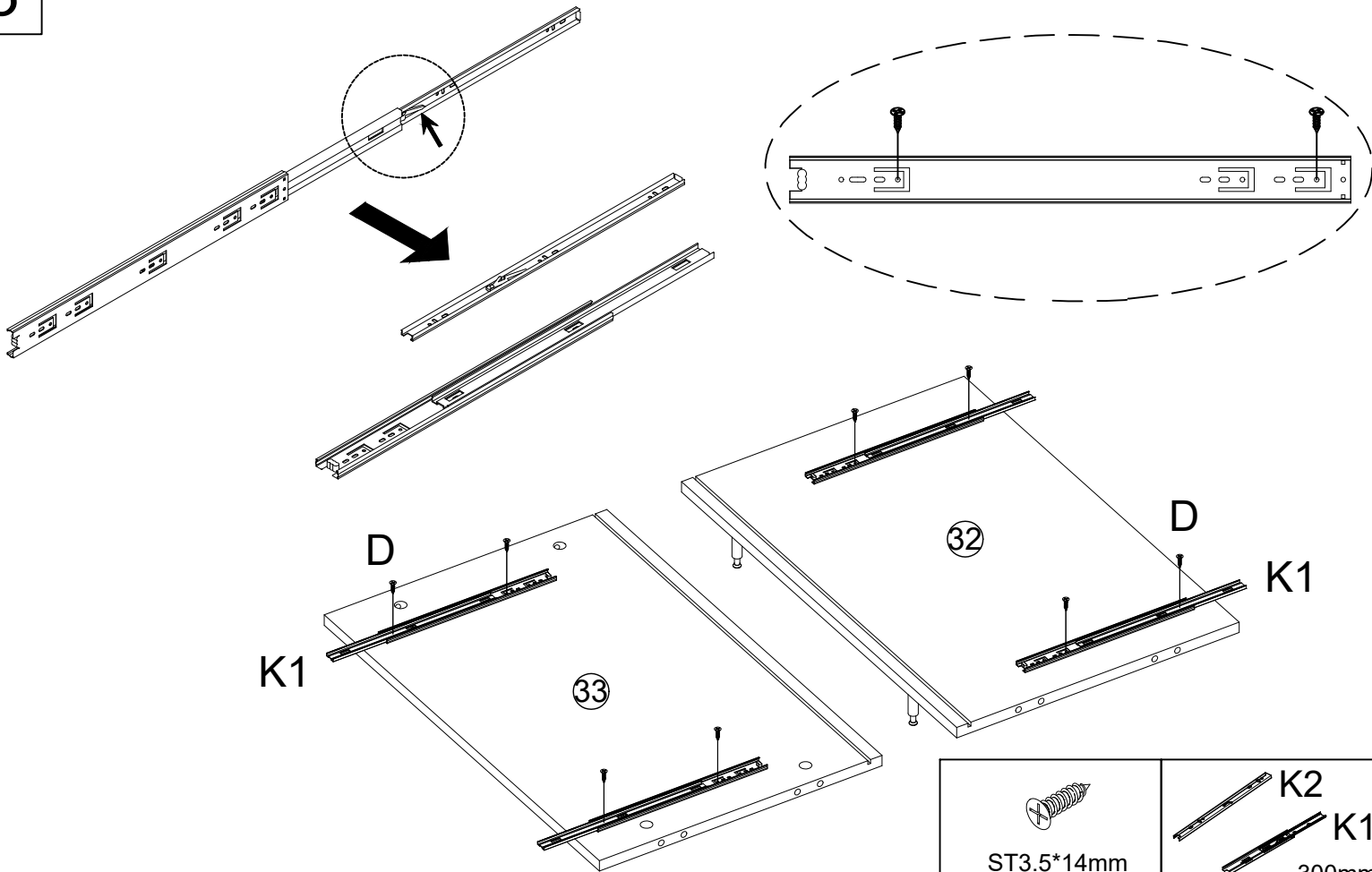
A	X 80
---	------

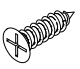
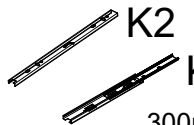
2



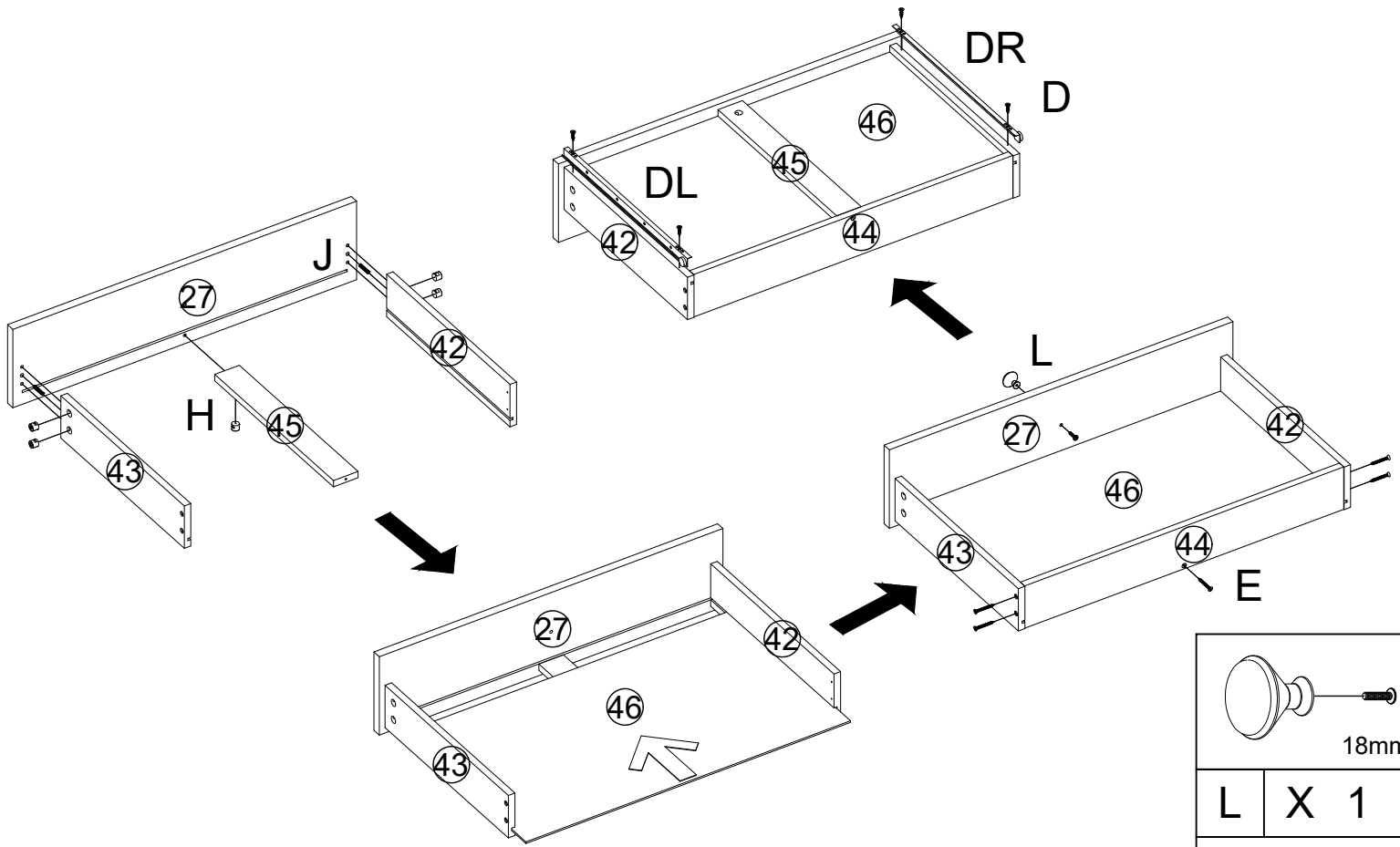
 28mm	
G	X 18

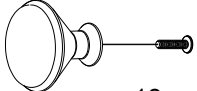
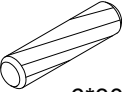
3

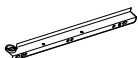
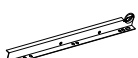





 ST3.5*14mm		 K2 K1 300mm	
D	X 8	K1	X 4

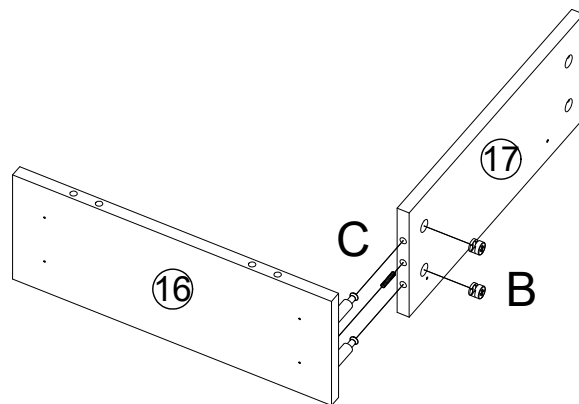
4

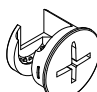
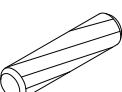


	
18mm	
L	X 1
	
φ6*30mm	
J	X 2

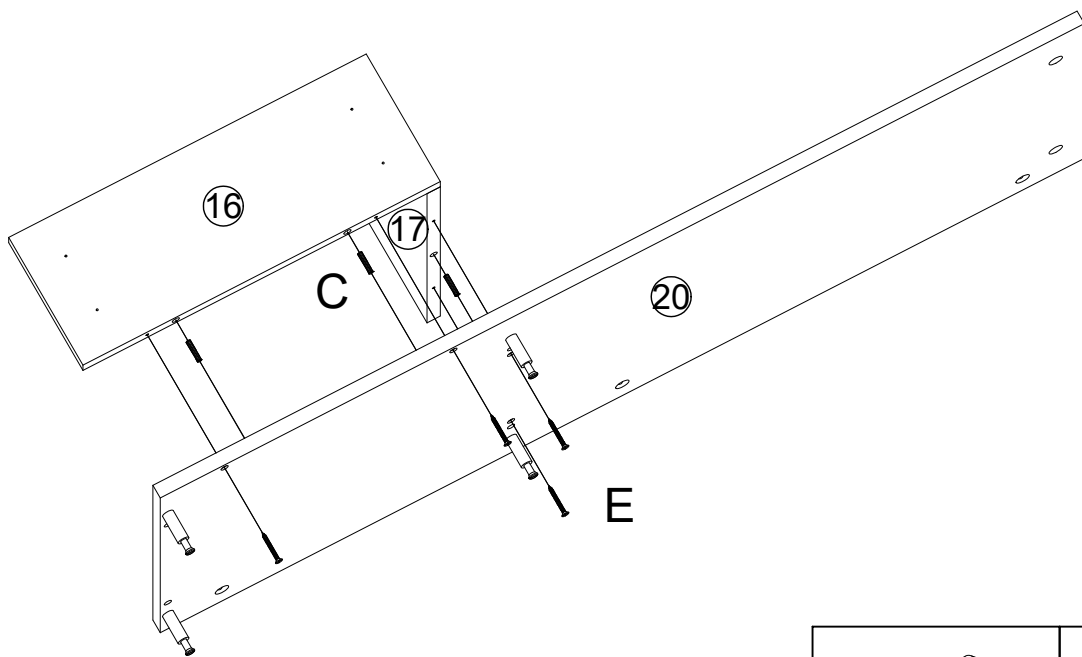
350mm 		350mm 		 ST3.5*14mm		 ST4*35mm		 15*10mm	
DL	X 1	DR	X 1	D	X 4	E	X 5	H	X 5

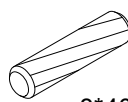

5



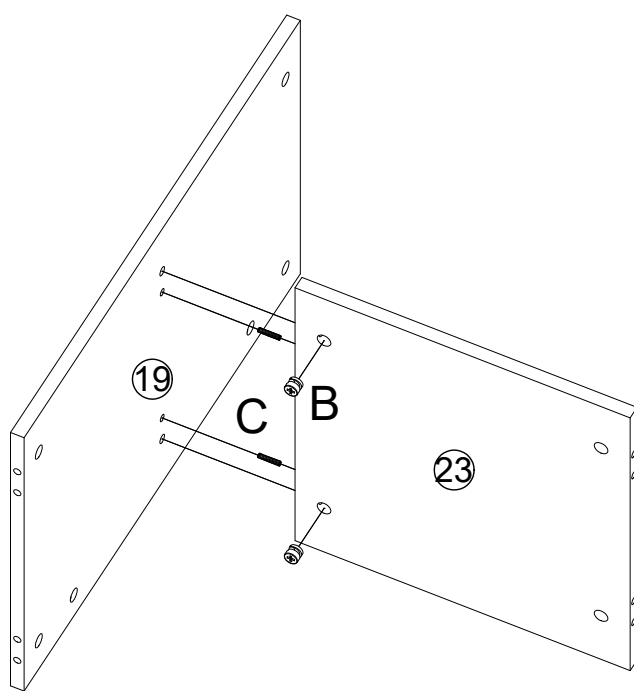
			
φ15*11mm		φ8*40mm	
B	X 2	C	X 1

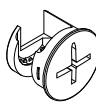
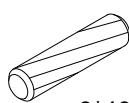
6



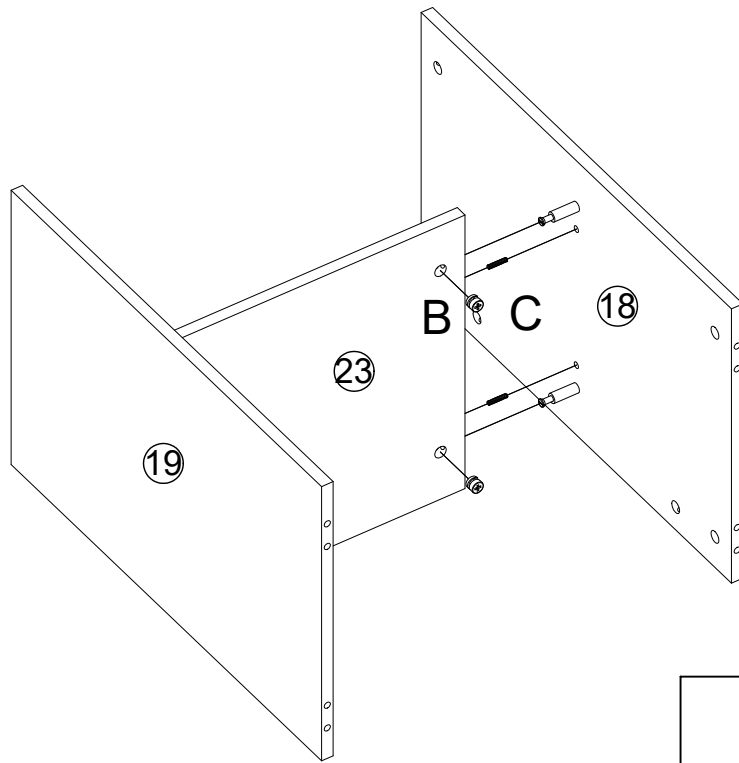
 $\phi 8 \times 40 \text{mm}$		 $\text{ST4} \times 35 \text{mm}$	
C	X 3	E	X 4

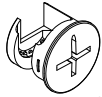
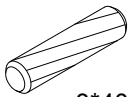
7



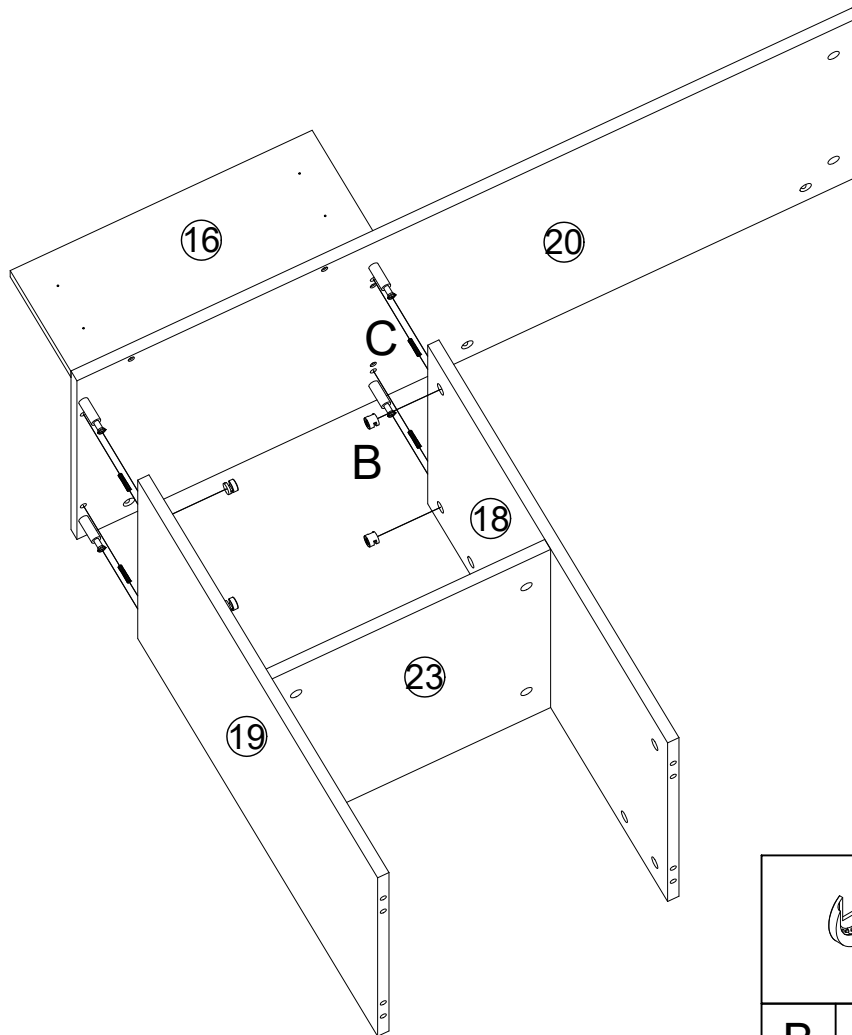
 $\phi 15 \times 11 \text{mm}$		 $\phi 8 \times 40 \text{mm}$	
B	X 2	C	X 2

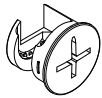
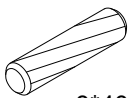
8



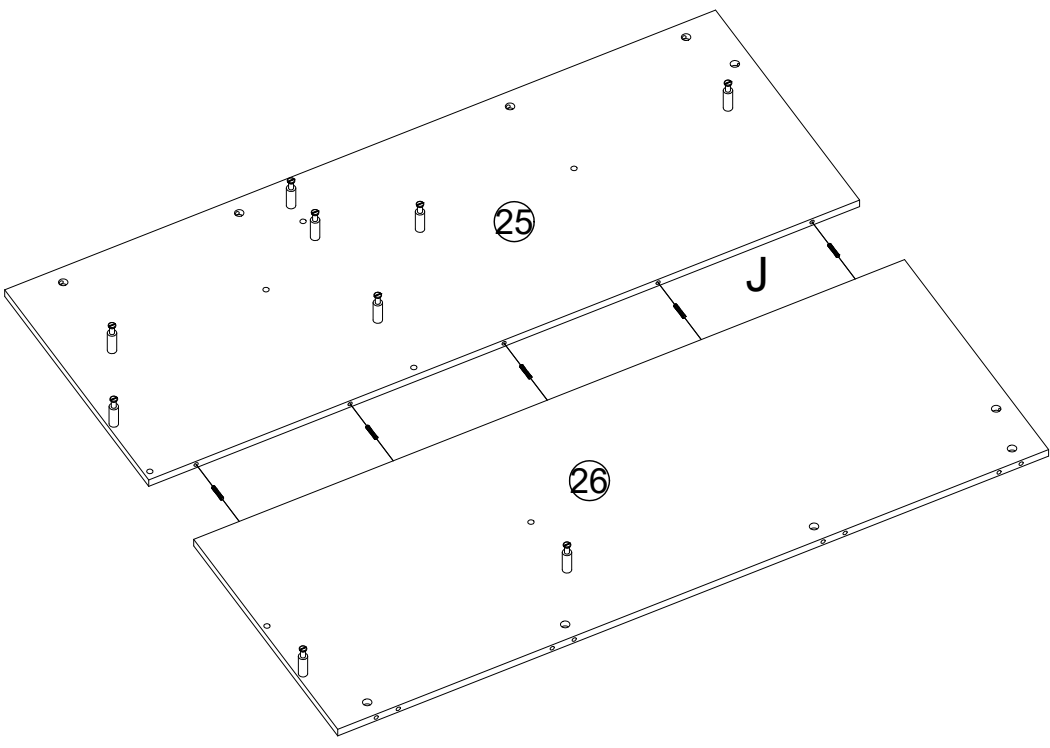
 φ15*11mm		 φ8*40mm	
B	X 2	C	X 2

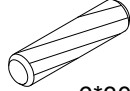
9



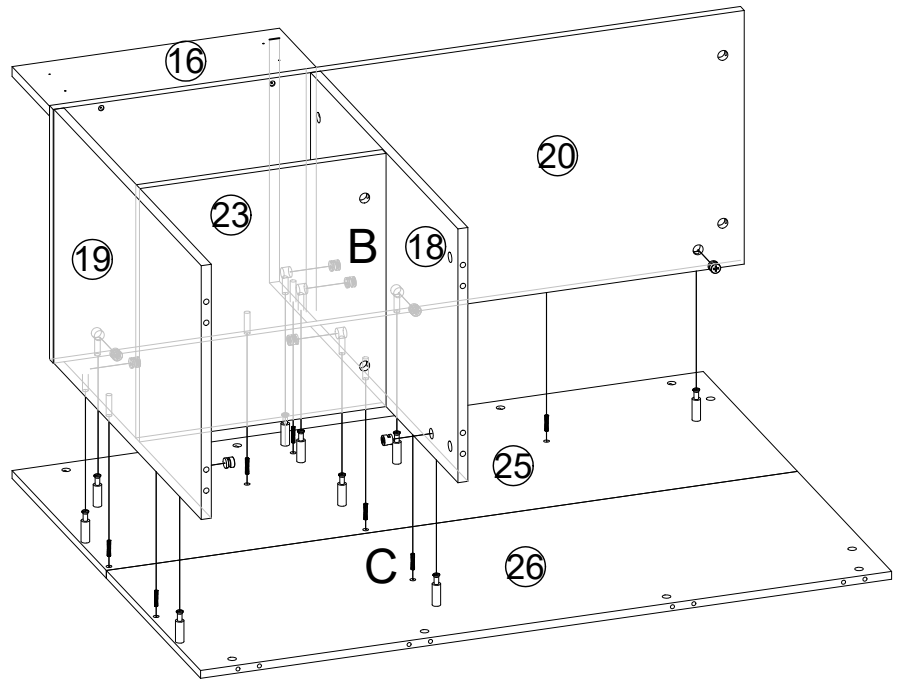
 φ15*11mm		 φ8*40mm	
B	X 4	C	X 4

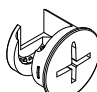
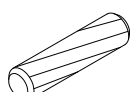
10



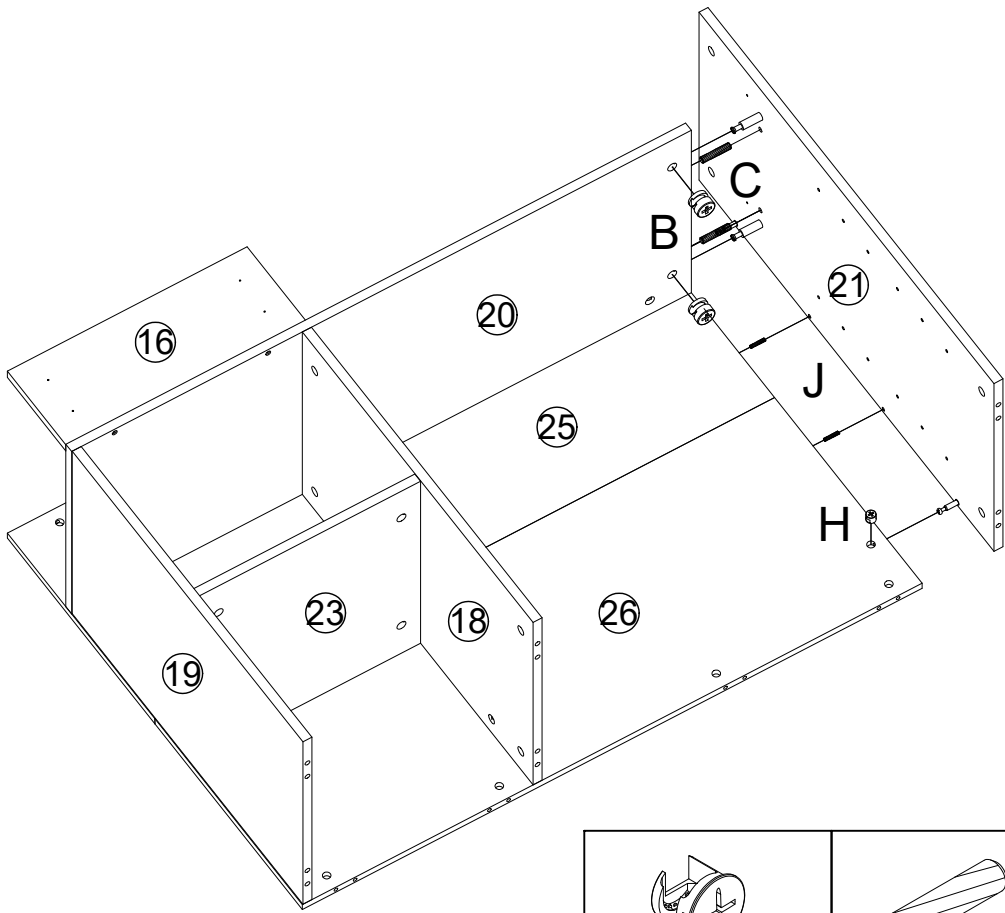
 $\phi 6 \times 30 \text{mm}$	
J	X 5

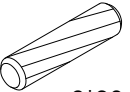
11

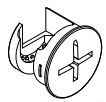
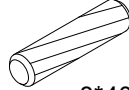



 $\phi 15 \times 11 \text{mm}$		 $\phi 8 \times 40 \text{mm}$	
B	X 9	C	X 7

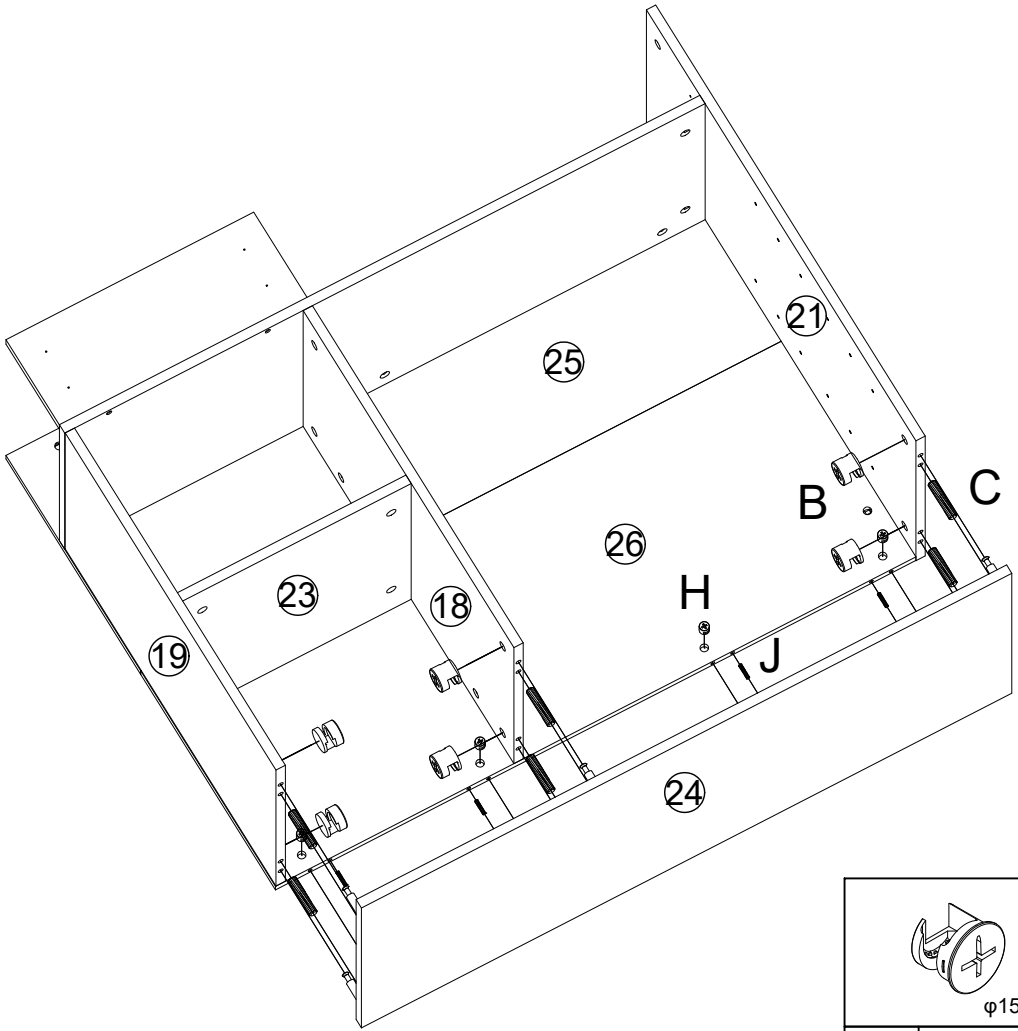
12

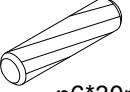



	
φ6*30mm	
J	X 2

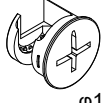
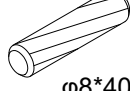
		
φ15*11mm	φ8*40mm	15*10mm
B	X 2	C
	X 2	H
		X 2

13

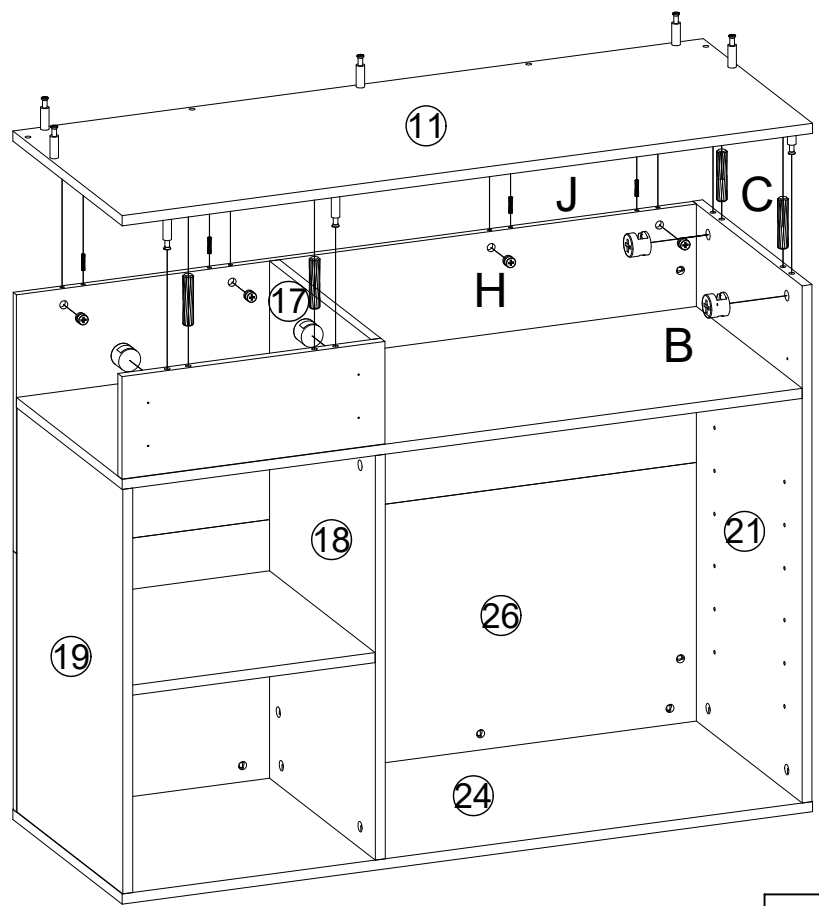


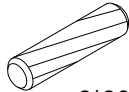

	
φ6*30mm	
J	X 4

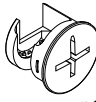
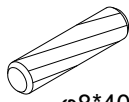
	
15*10mm	
H	X 4

	
φ15*11mm	φ8*40mm
B	X 6
	X 6
C	X 6

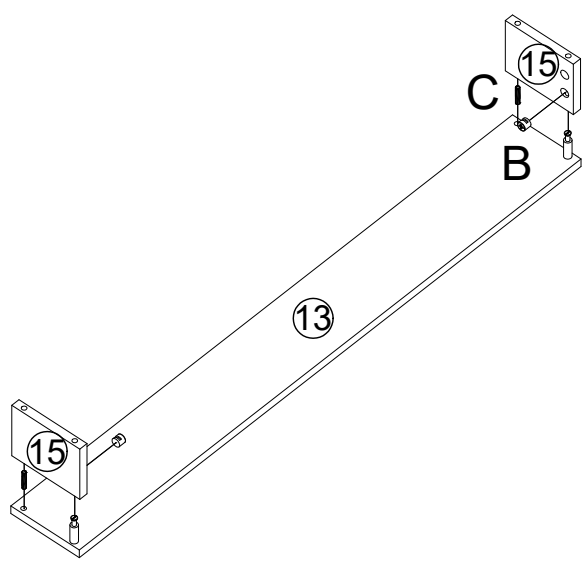
14

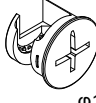
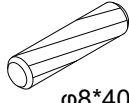


 φ6*30mm	
J	X 4
 15*10mm	
H	X 4

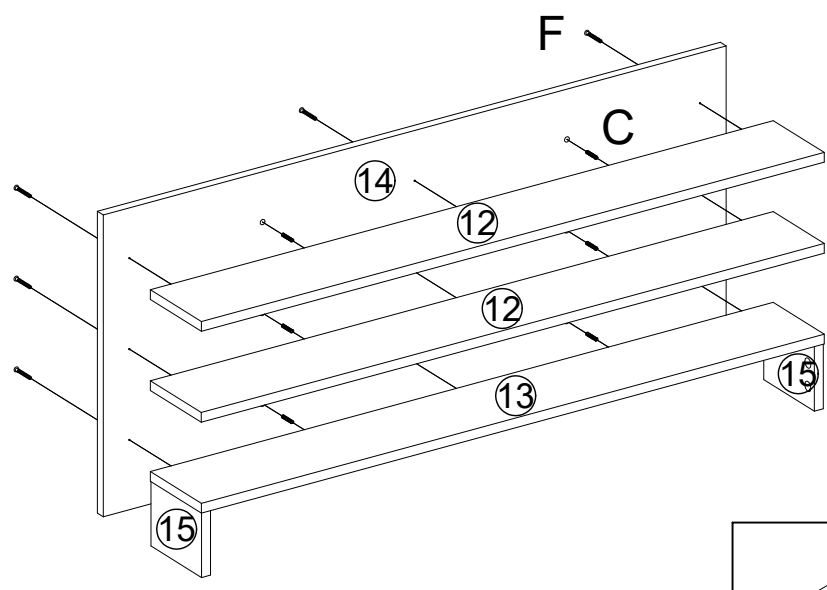
 φ15*11mm		 φ8*40mm	
B	X 4	C	X 4

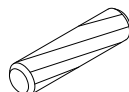
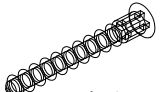
15



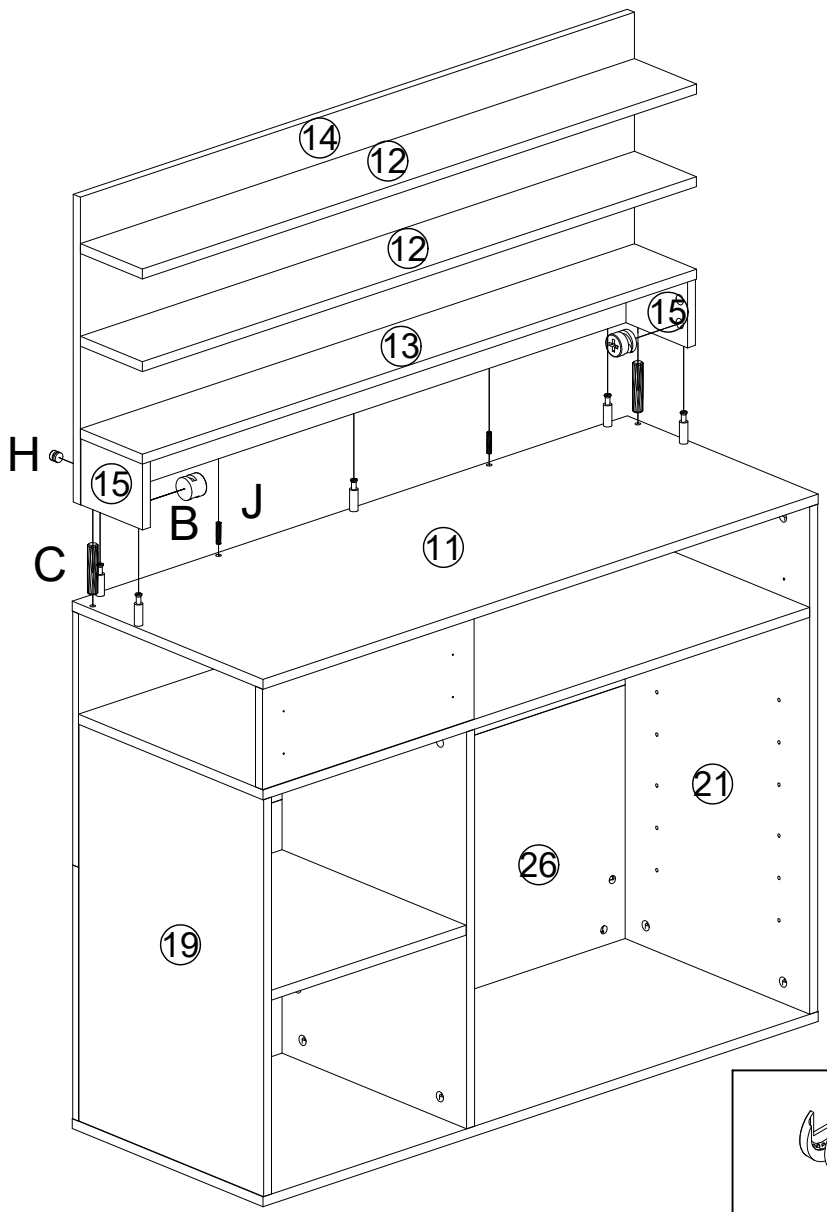
 φ15*11mm		 φ8*40mm	
B	X 2	C	X 2

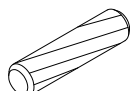

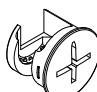
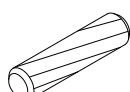
16



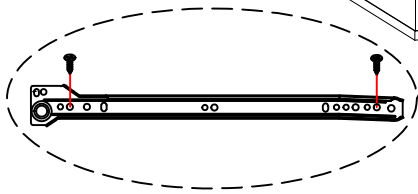
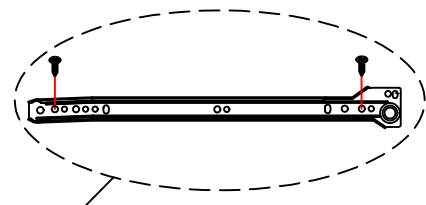
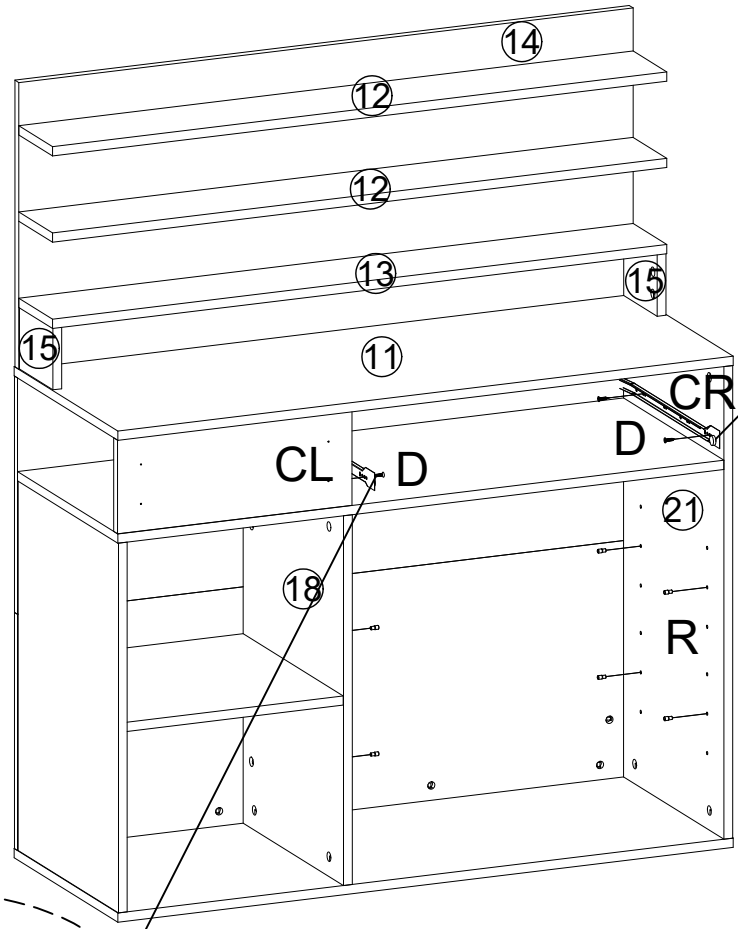
 φ8*40mm		 7*50mm	
C	X 6	F	X 9

17



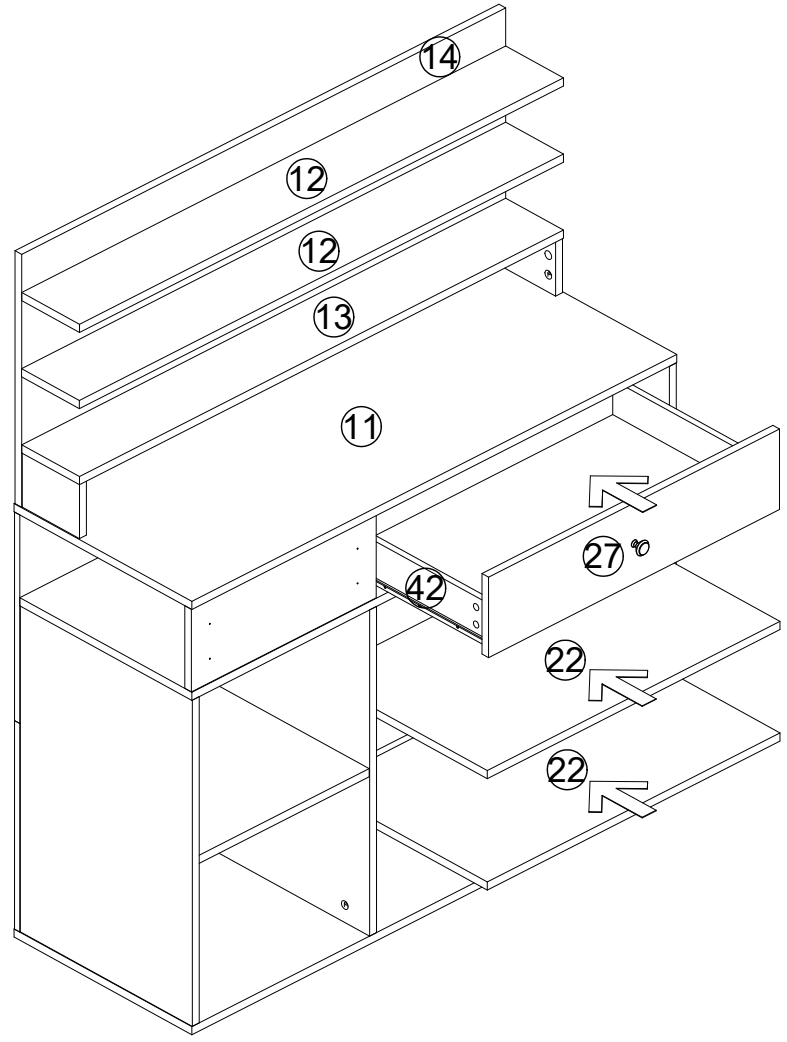
 φ6*30mm		 15*10mm	
J	X 2		
		H	X 3
 φ15*11mm		 φ8*40mm	
B	X 2	C	X 2

18

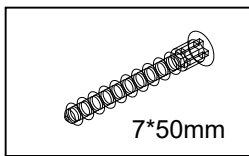
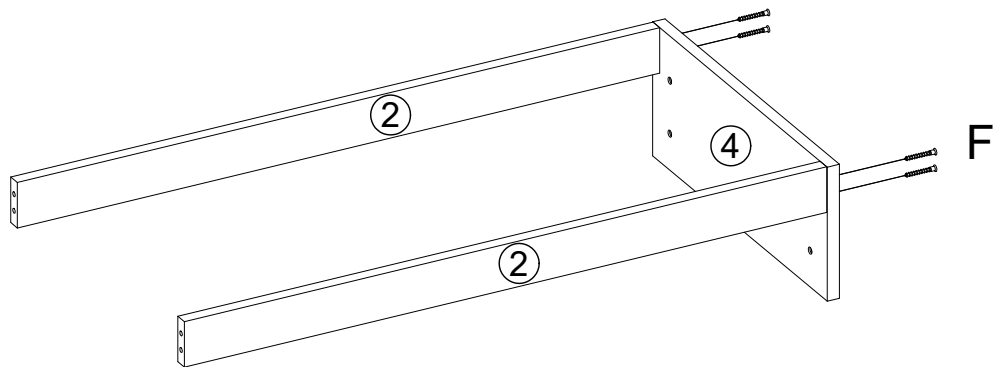


R	X 8
ST3.5*14mm	
D	X 4
350mm	350mm
CL	X 1
CR	X 1

19

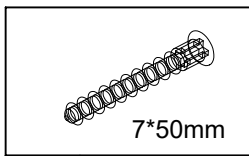
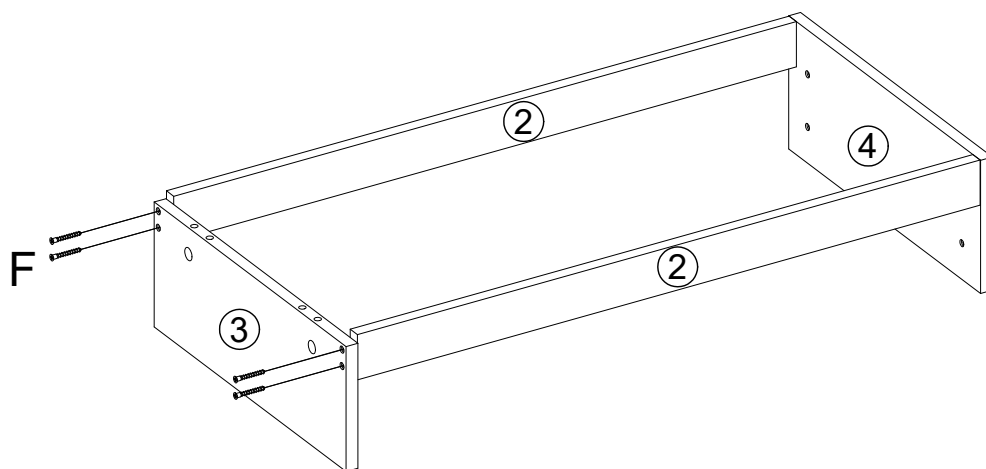


20



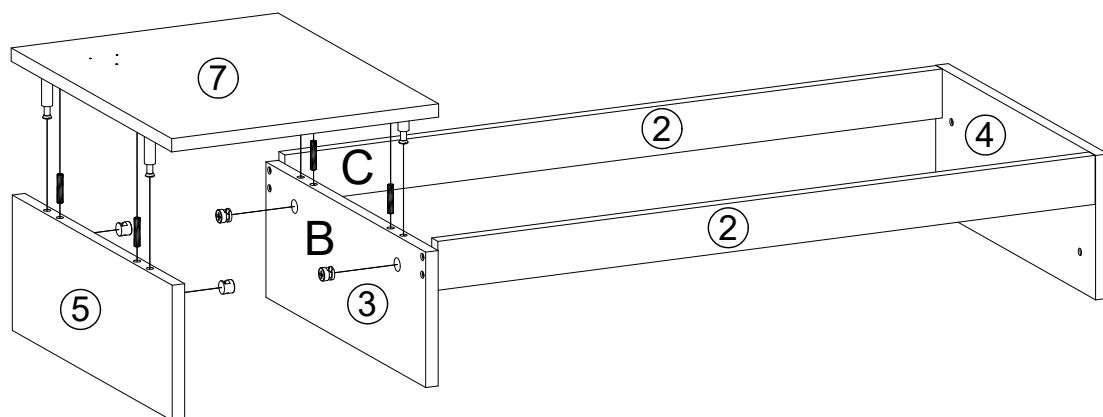
F X 4

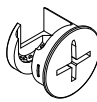
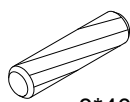
21



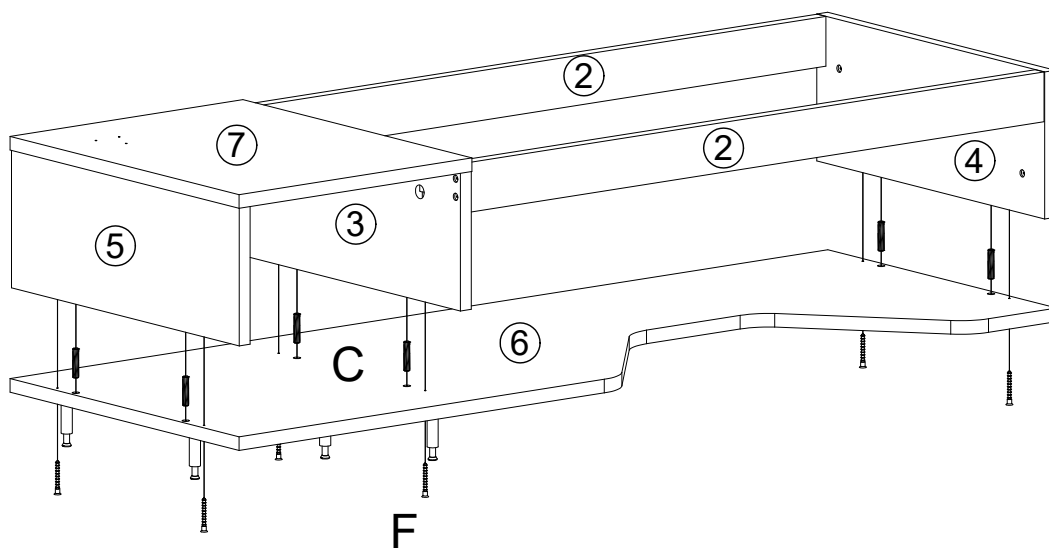
F X 4

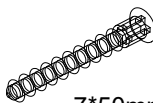
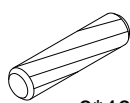
22



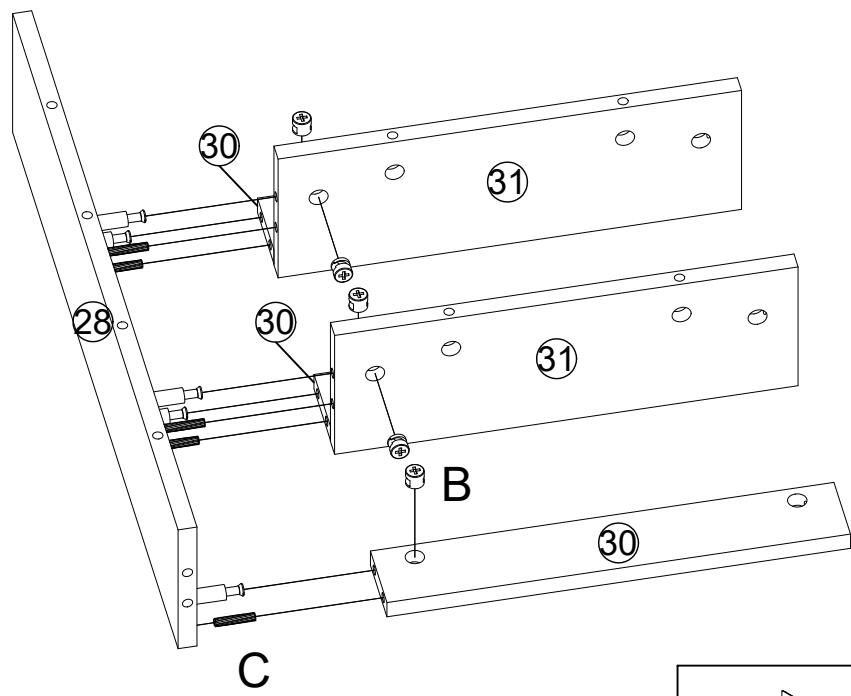
 $\phi 15 \times 11 \text{mm}$		 $\phi 8 \times 40 \text{mm}$	
B	X 4	C	X 4

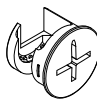
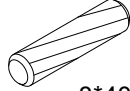
23



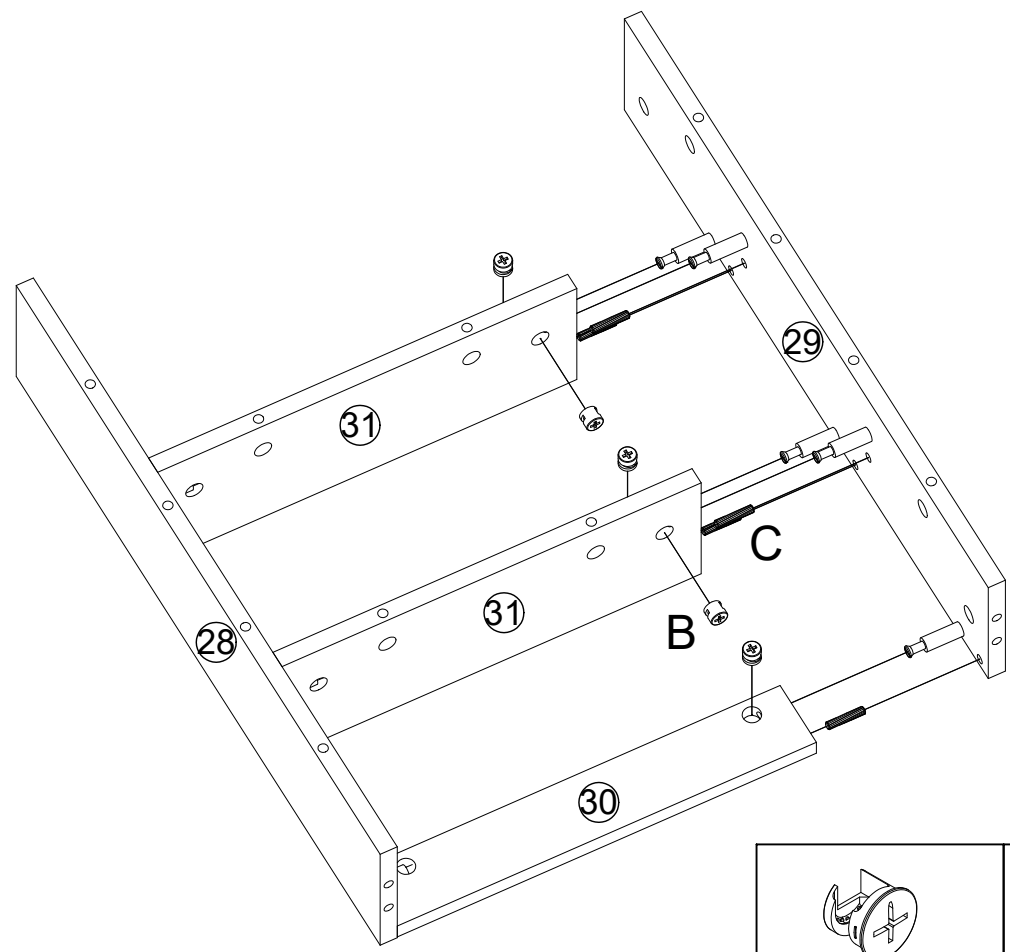
 $7 \times 50 \text{mm}$		 $\phi 8 \times 40 \text{mm}$	
F	X 6	C	X 6

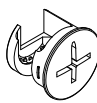
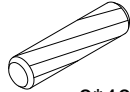
24



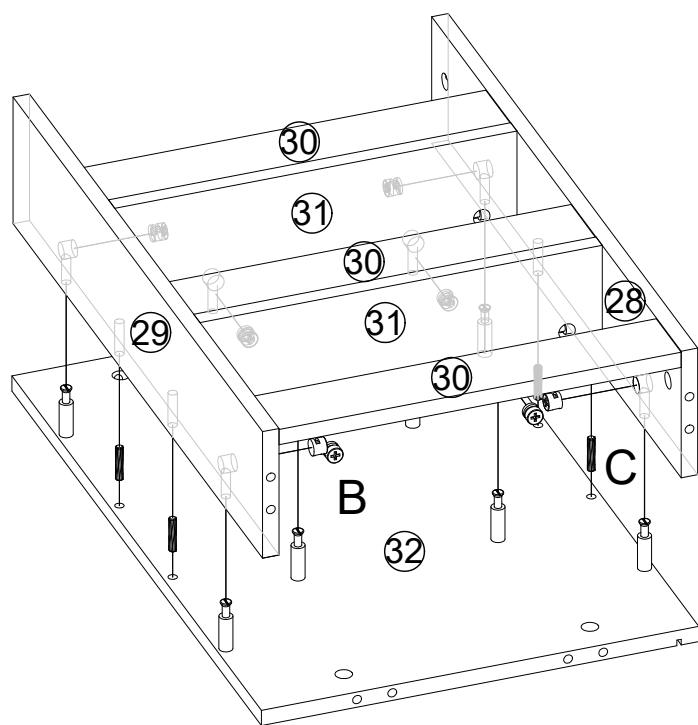
	
$\phi 15 \times 11 \text{mm}$	$\phi 8 \times 40 \text{mm}$
B	X 5
C	X 5

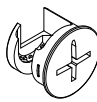
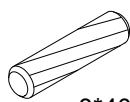
25



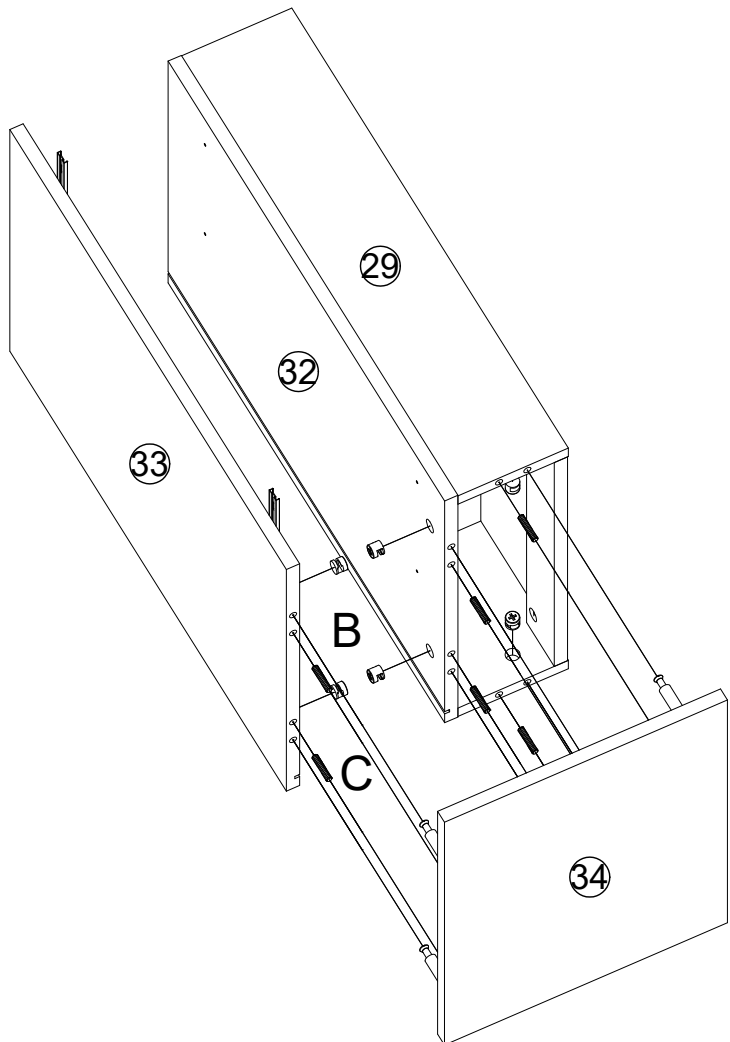
	
$\phi 15 \times 11 \text{mm}$	$\phi 8 \times 40 \text{mm}$
B	X 5
C	X 5

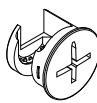
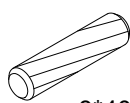
26



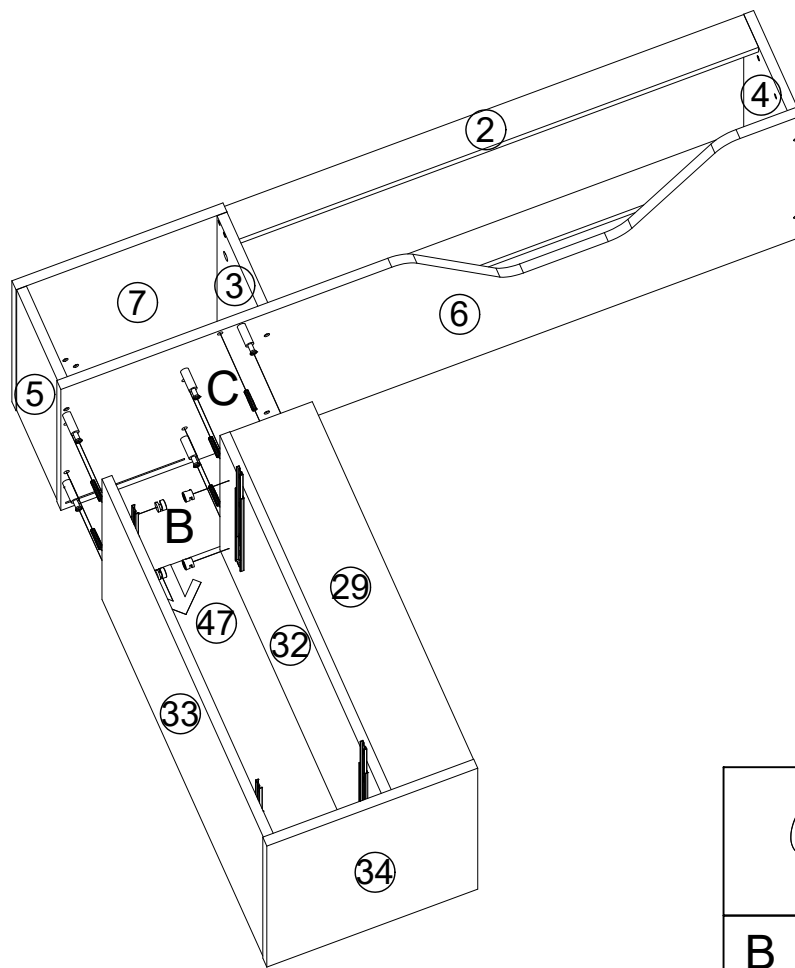
 $\phi 15 \times 11 \text{mm}$		 $\phi 8 \times 40 \text{mm}$	
B	X 8	C	X 4


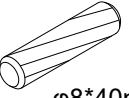
27



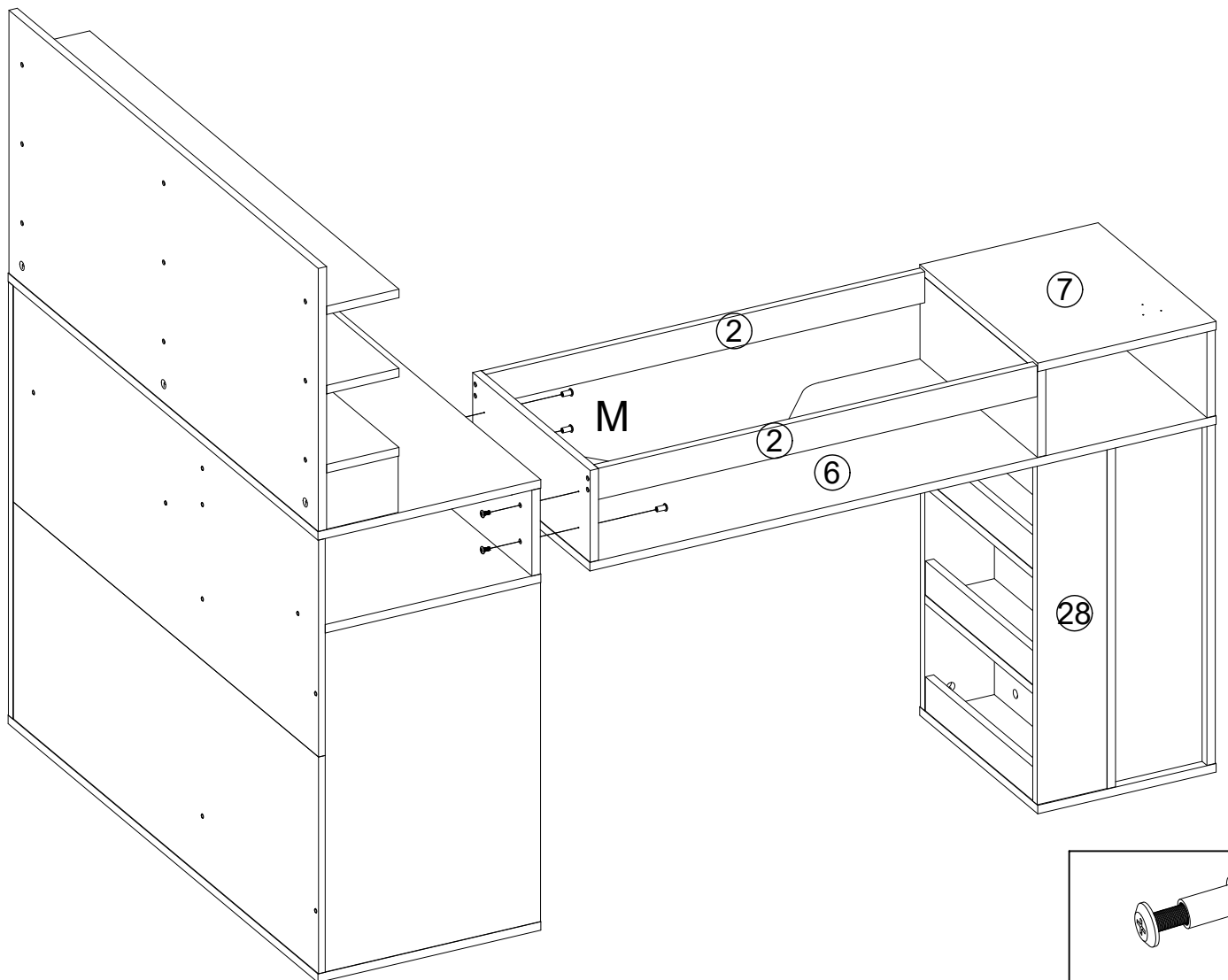
 $\phi 15 \times 11 \text{mm}$		 $\phi 8 \times 40 \text{mm}$	
B	X 6	C	X 6

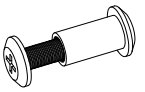
28



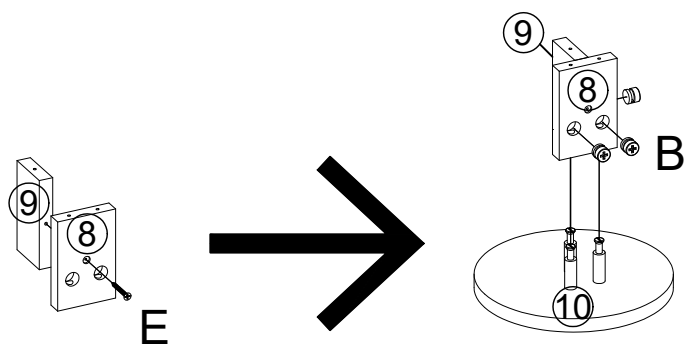
 $\phi 15 \times 11 \text{mm}$		 $\phi 8 \times 40 \text{mm}$	
B	X 6	C	X 6

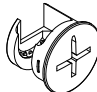

29



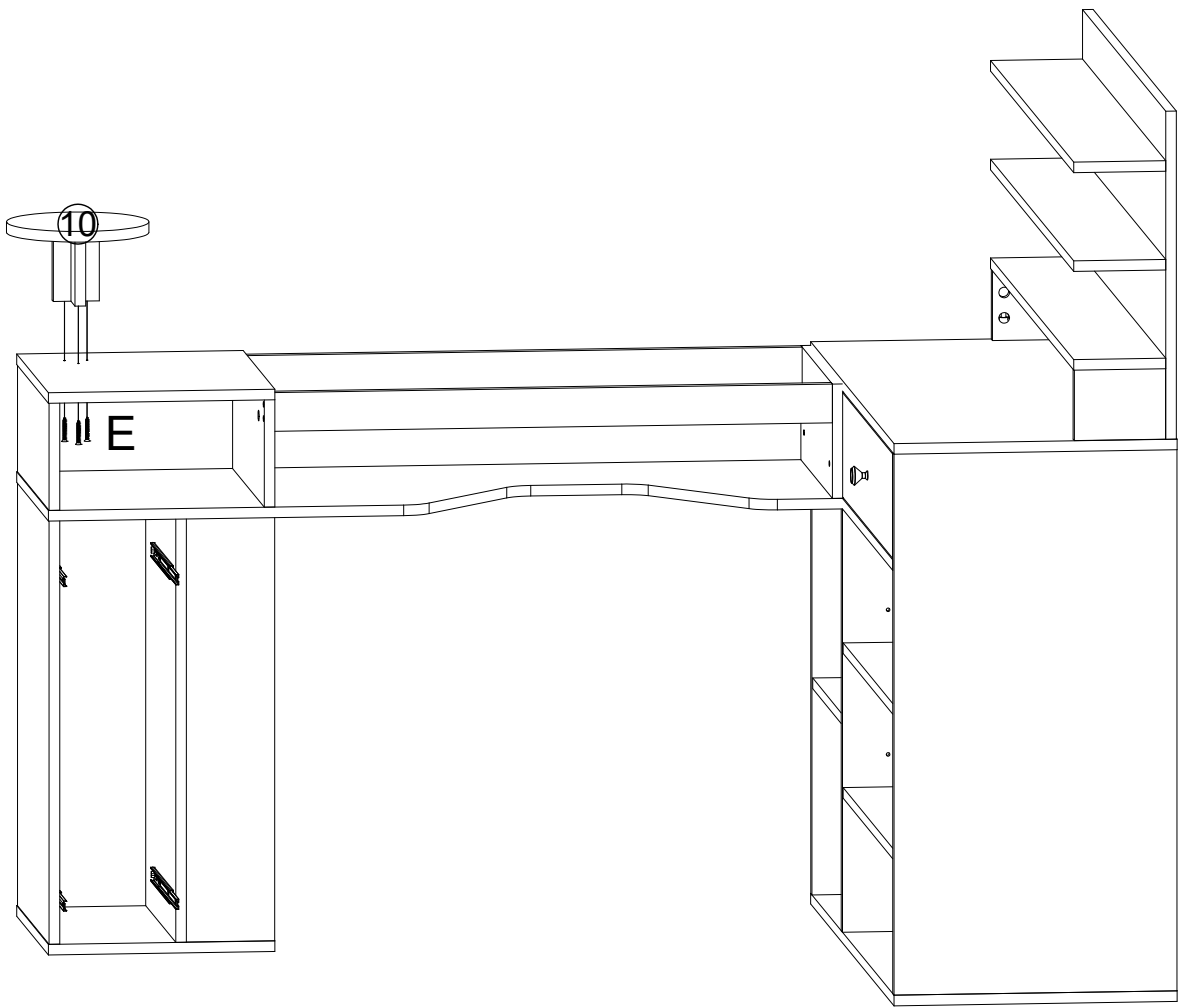
	
M	X 4

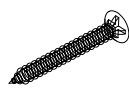
30



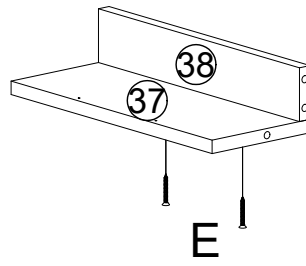
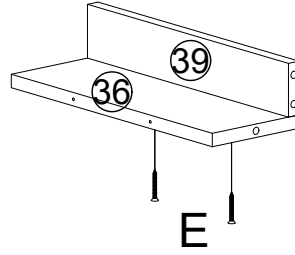
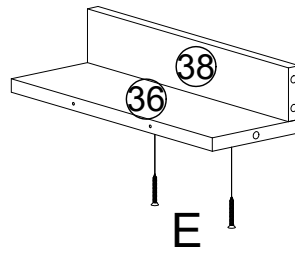
 $\varnothing 15 \times 11 \text{mm}$		 ST4*35mm	
B	X 3	E	X 1

31



 ST4*35mm	
E	X 3

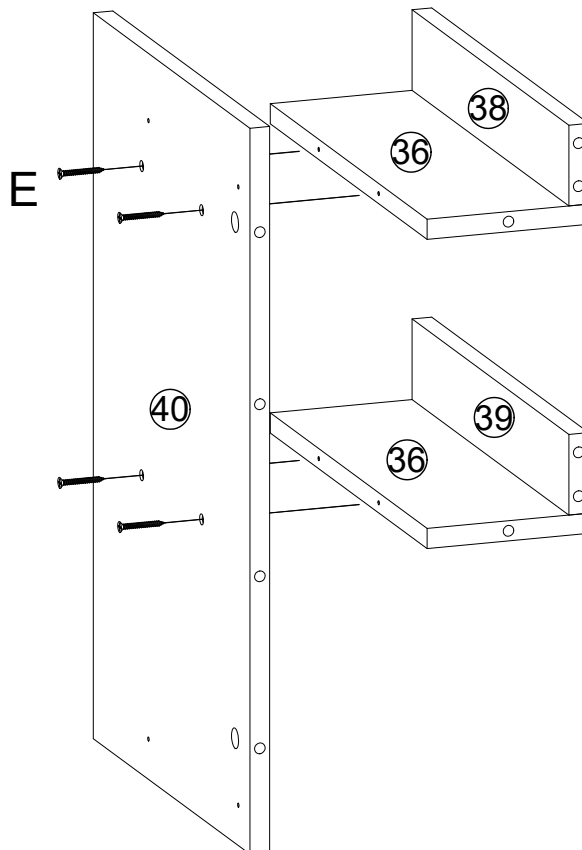
32



ST4\*35mm

E X 6

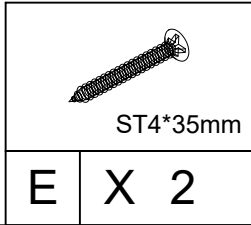
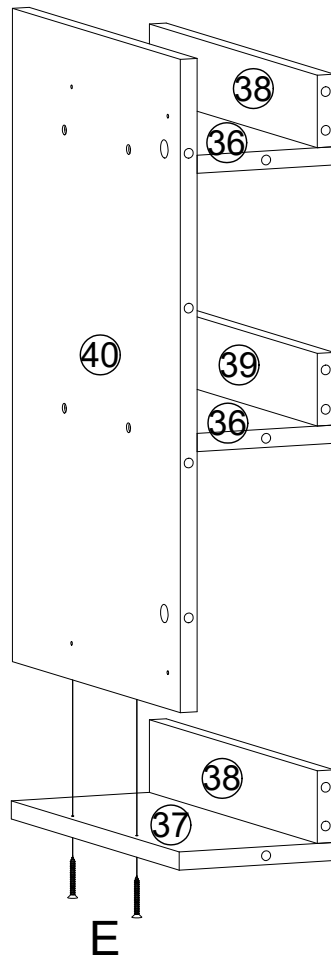
33



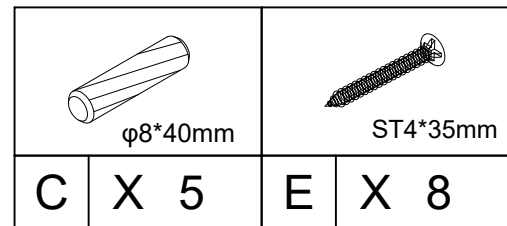
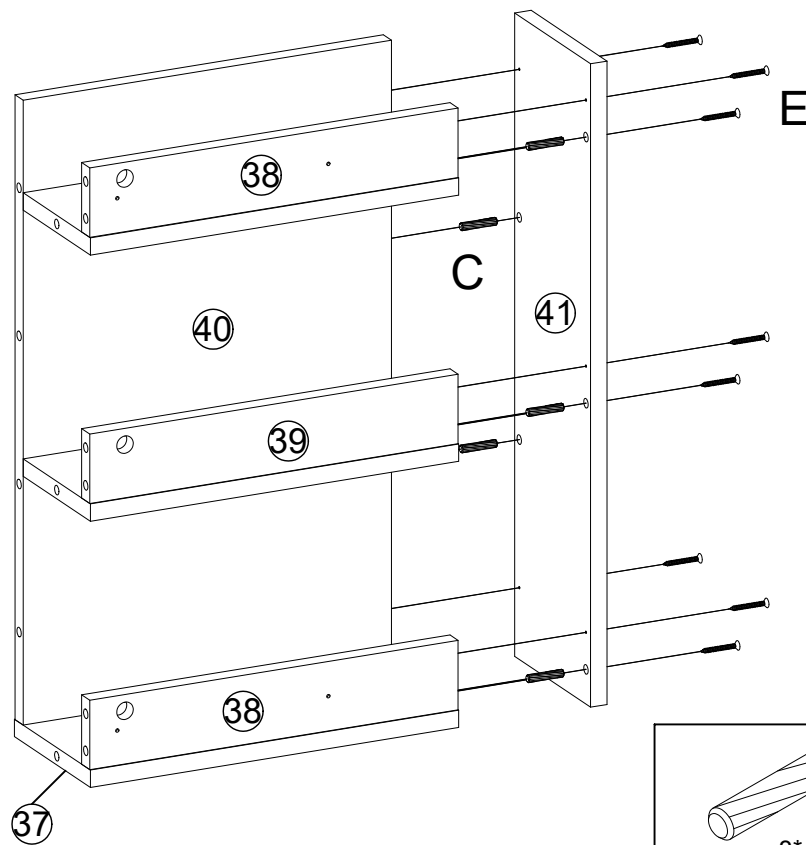
ST4\*35mm

E X 4

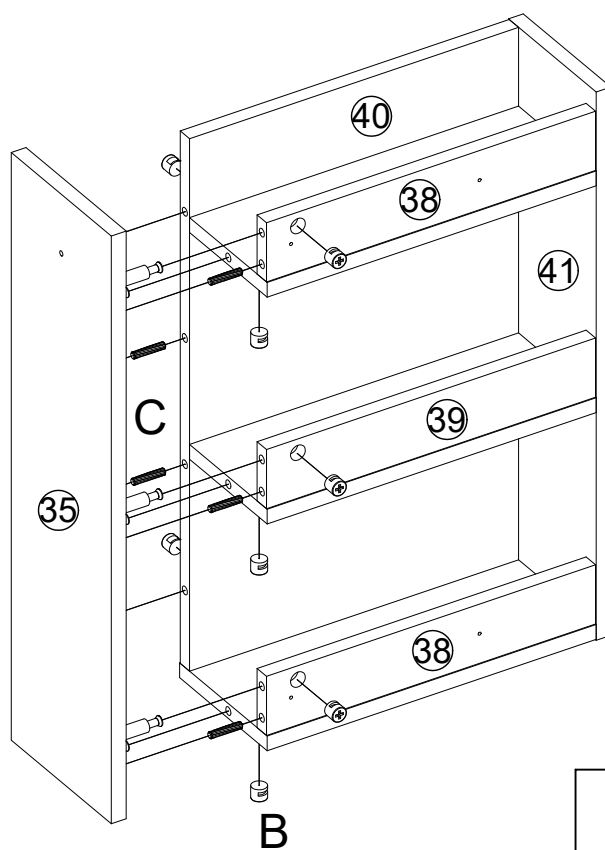
34

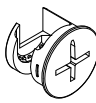
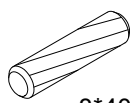


35

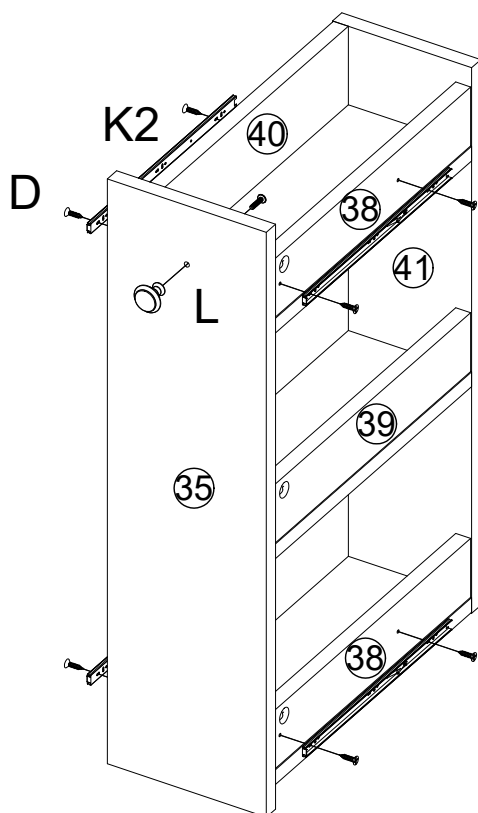


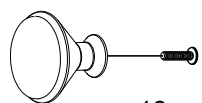
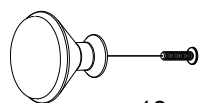
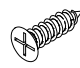
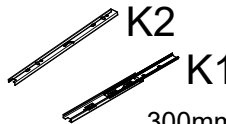
36

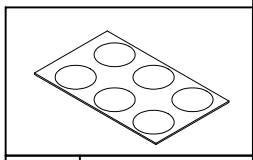
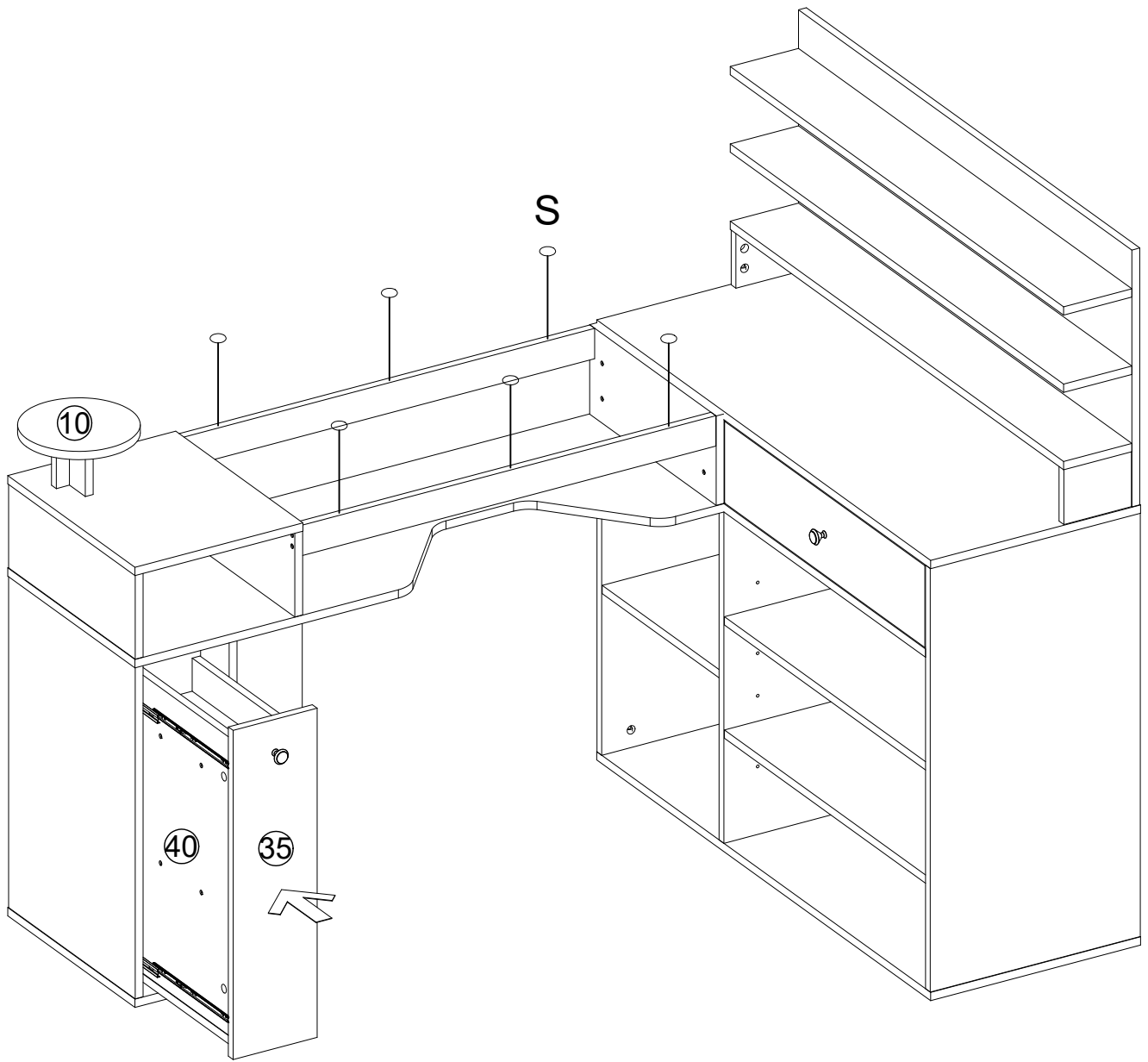


 $\phi 15 \times 11 \text{mm}$		 $\phi 8 \times 40 \text{mm}$	
B	X 8	C	X 5

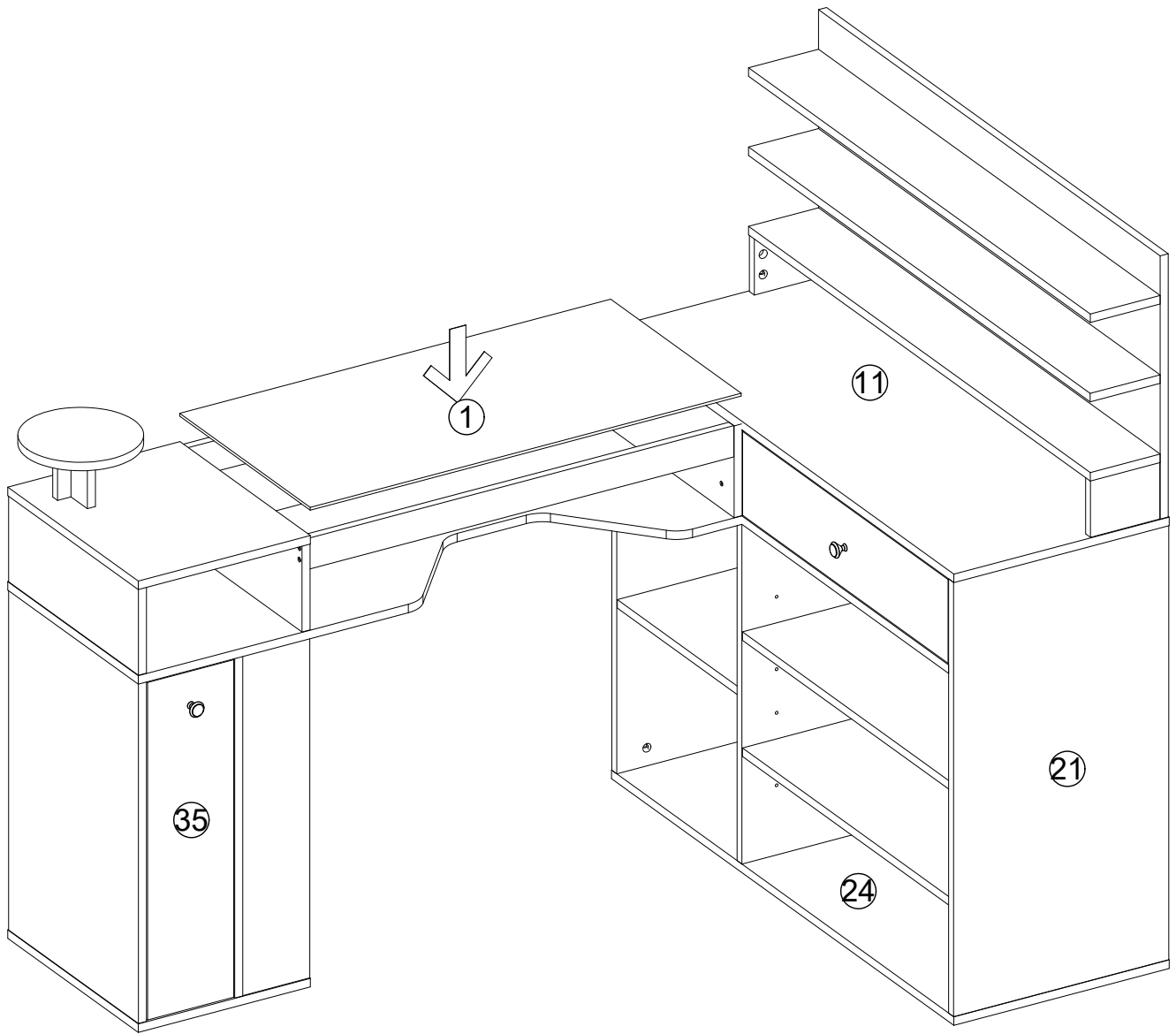
37

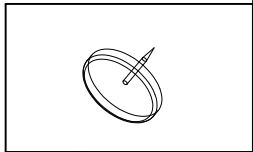
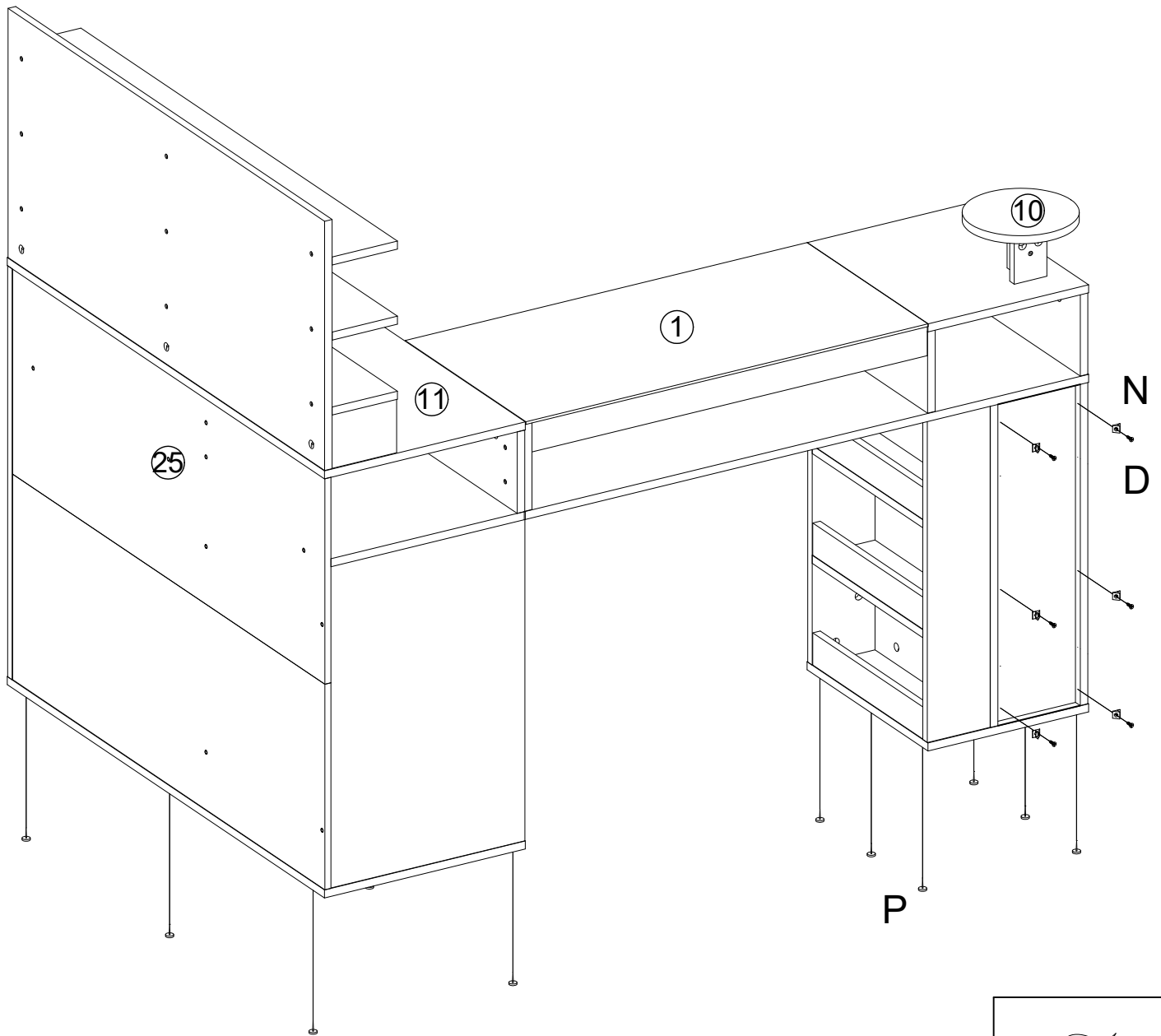


 18mm		 18mm	
L	X 1		
 ST3.5*14mm		 K2 K1 300mm	
D	X 8	K2	X 4

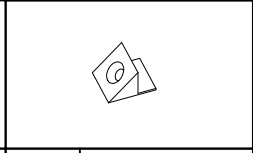
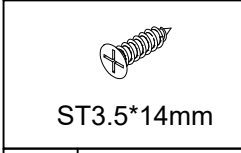


S X 6





P X 12



D X 6

N X 6