



## **Warnings and Cautions**

*Please retain this instruction for future usage and read carefully before assembly.*

*Make sure you have all the parts & hardware as item list shows.*

***2 adults or more** are recommended to install your gazebo.*

*Do not discard any of the packaging until you have checked that you have all the parts and pack of fittings.*

*Check all bolts for tightness before use, and periodically check and tighten bolts to ensure your gazebo works properly.*

*Some parts might have sharp edges/corners. Please follow basic safety precautions to reduce the risk of hurts.*

*Maximum weight capacity is **1000 pounds**.*

*It is essential to place the gazebo on level ground and not less than **6 feet** from any obstruction such as fences, garages, overhanging branches, laundry lines, or electrical wires.*

*If you have questions or concerns.*

*Please contact us via email at **service@domioutdoorliving.com***



10'X10'

SKU: LGCF1751

Metal Gazebo

Assembly Manual

**T**hank you for your purchase of

*Domi outdoor living's Gazebo*

Read and follow this assembly and operation guide.

To reduce personal injury and damage to your gazebo

We recommend a **two-person team** for assembly and disassembly.

If you like our products, please tell other customers

If you have problems with our products, please tell us

**Please feel free to contact us.**

**DOMI OUTDOOR LIVING**

**domi**  
outdoor living

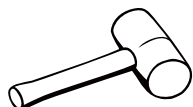
## Pre-assembly

### TOOLS THAT MAY BE REQUIRED (Not included in boxes)

\*NOTE: Tools / equipment are not shown to actual size and scale.



LEVEL



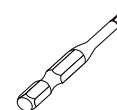
RUBBER MALLET



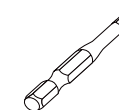
PHILLIPS SCREWDRIVER



DRILL



ALLEN KEY



ALLEN KEY

### EQUIPMENT REQUIRED (Not included in boxes)

\*NOTE: Equipment are not shown to actual size and scale.



SAFETY HAT



GLOVES



SAFETY GOGGLES



STEPLADDER

### Matters needing attention



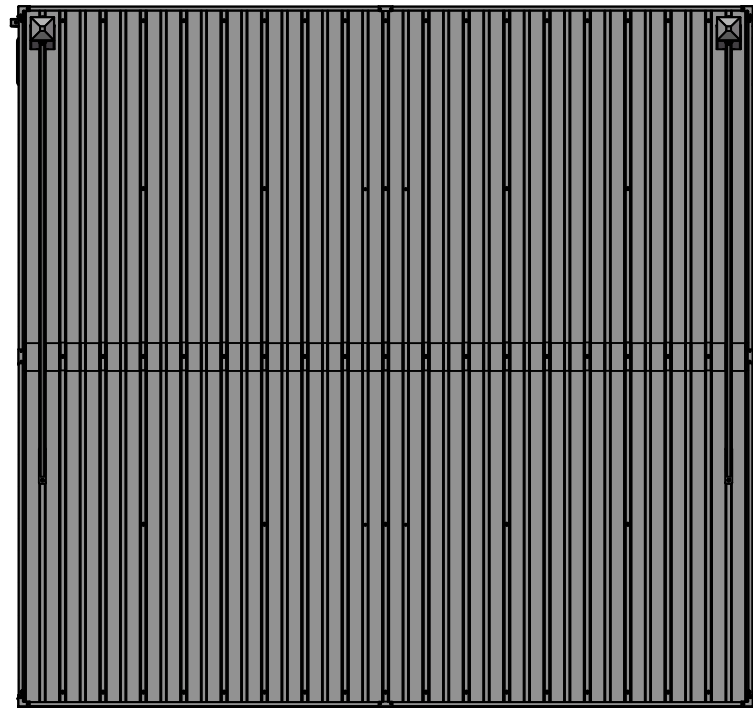
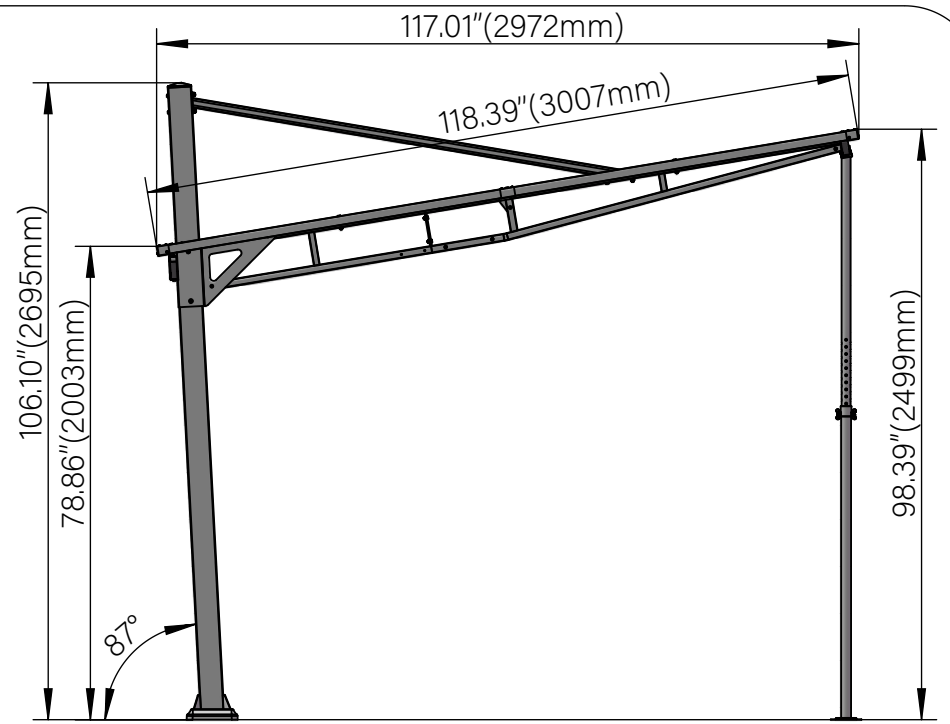
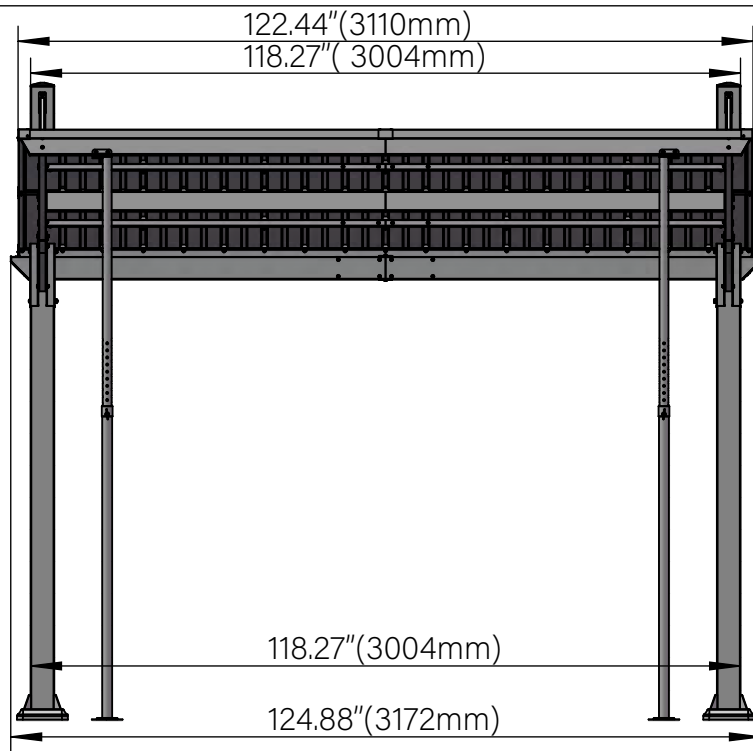
1. Two or more people are required for assembly.

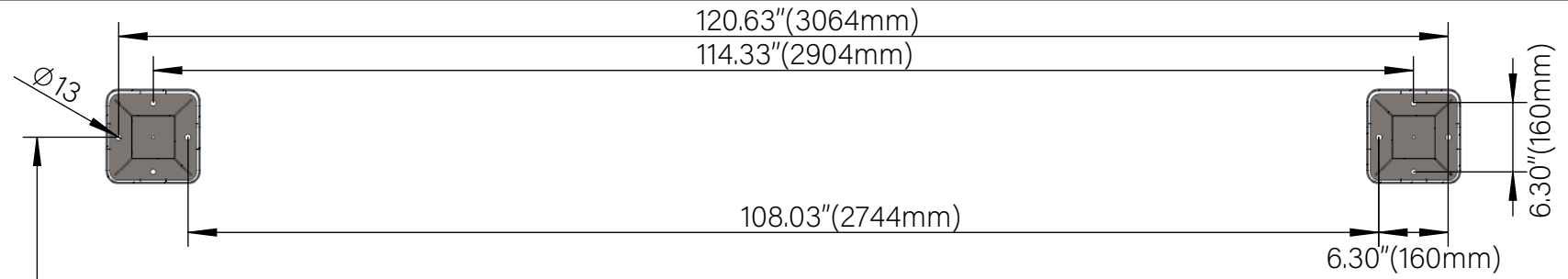


2. Do not fully tighten screws prior to complete assembly.

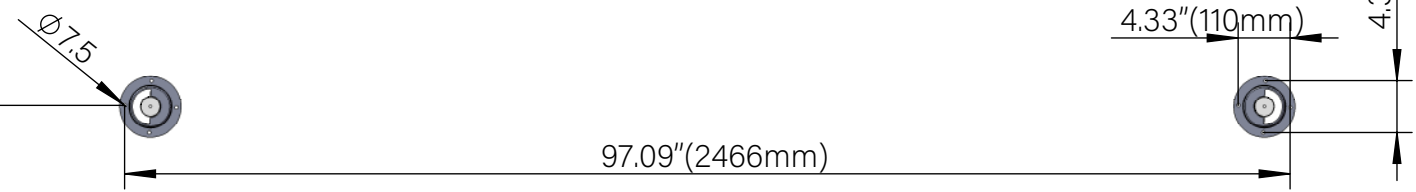
## IMPORTANT

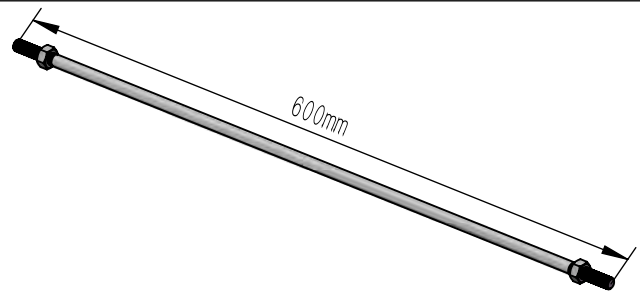
The construction of a gazebo may require a municipal permit or be subject to specific building codes. It is the responsibility of the consumer to check and ensure compliance with any local regulations or restrictions before proceeding with assembly.



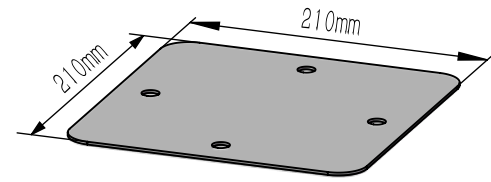


105.55" (2681mm)

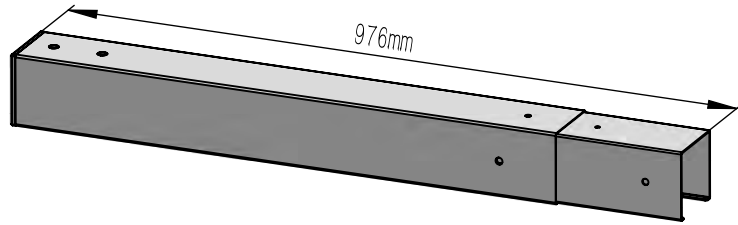




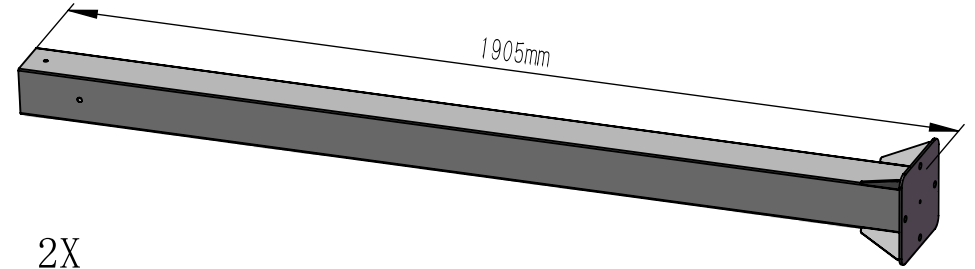
A1 8X



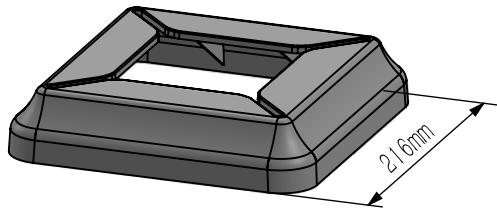
A2 4X



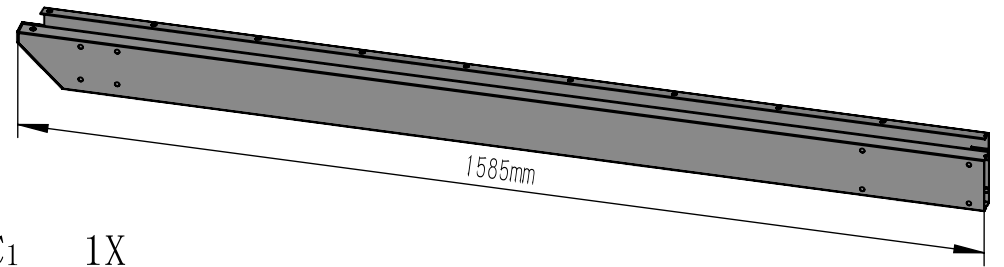
B1 2X



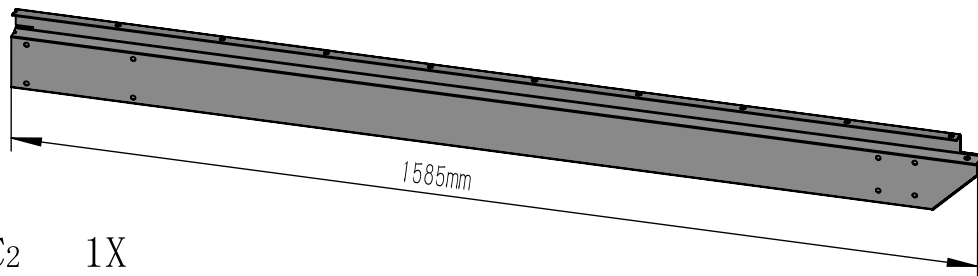
B2 2X



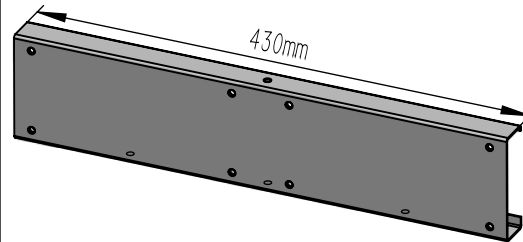
B3 2X



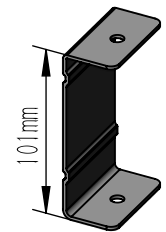
C1 1X



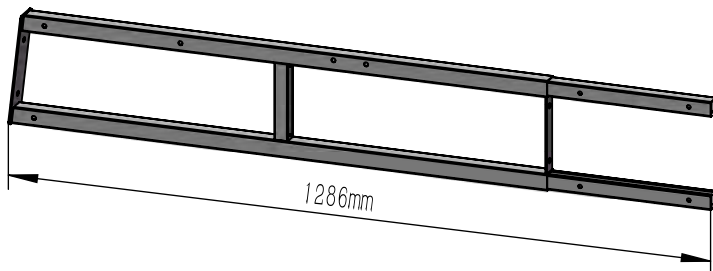
C2 1X



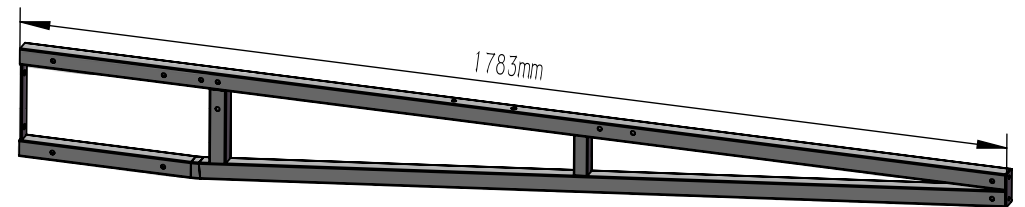
C3 1X



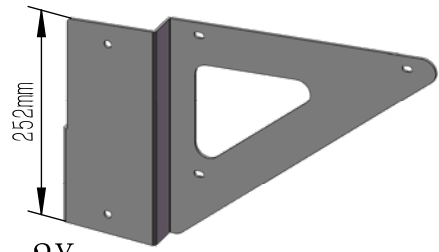
C4 1X



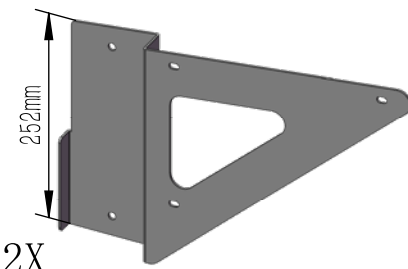
D1 2X



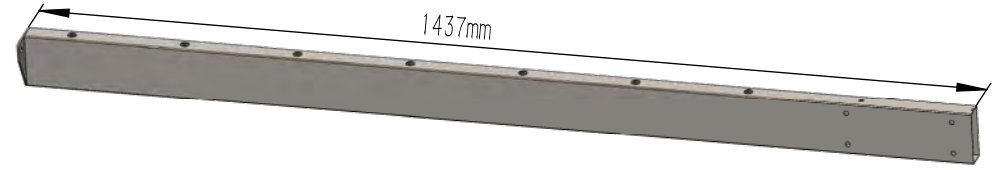
D2 2X



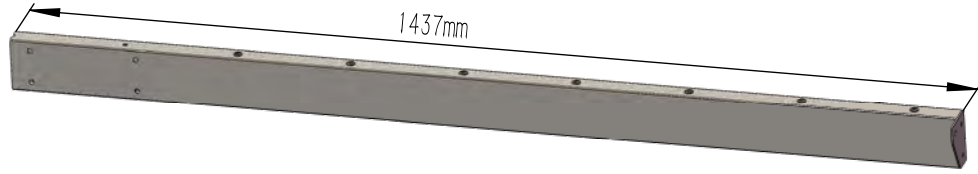
E1 2X



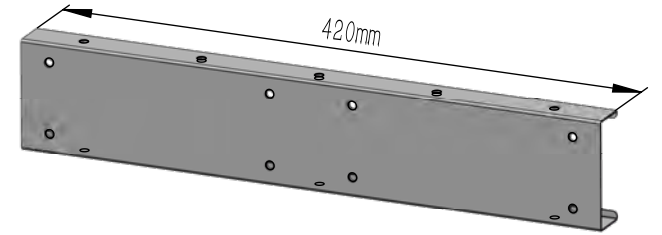
E2 2X



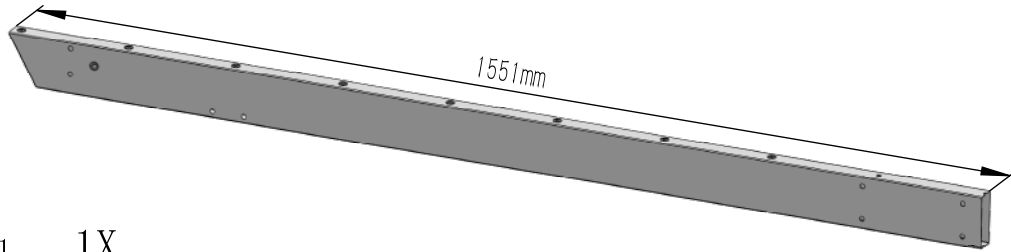
F1 1X



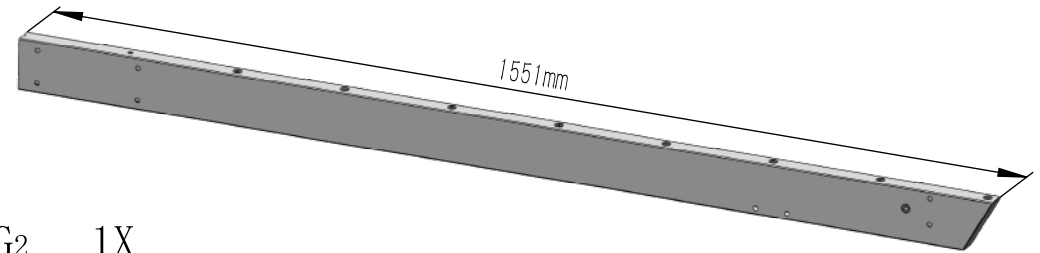
F2 1X



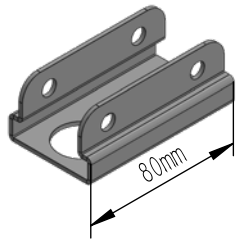
F3 2X



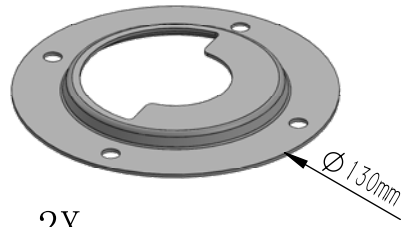
G1 1X



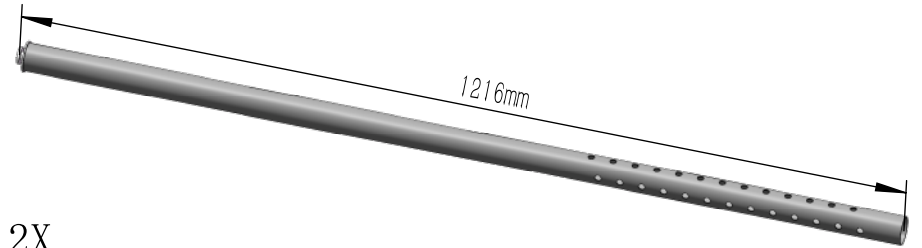
G2 1X



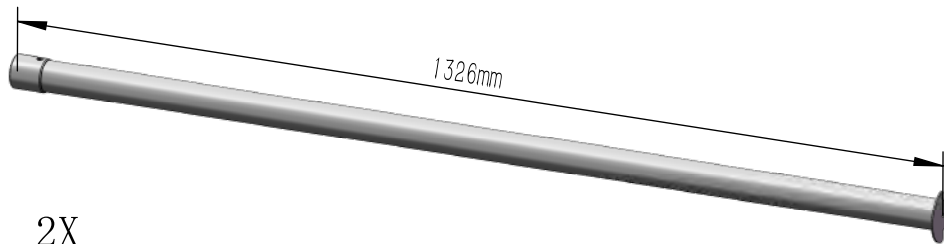
G3 2X



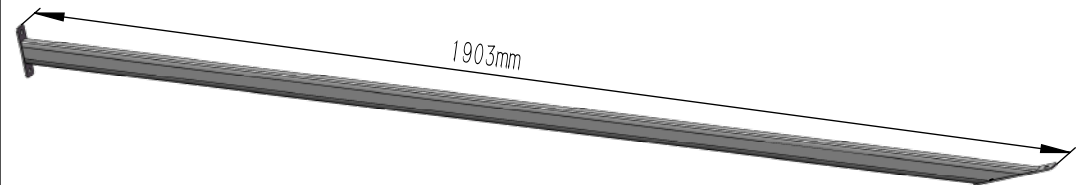
G4 2X



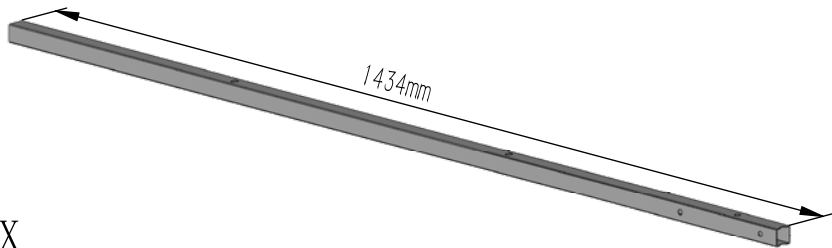
H1 2X



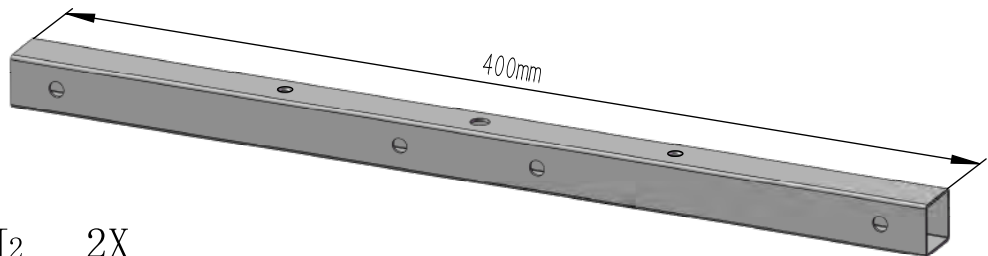
H2 2X



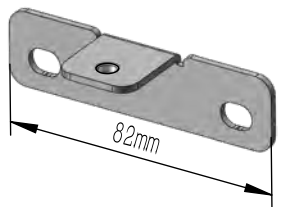
I1 2X



J1 4X



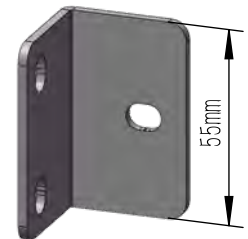
J2 2X



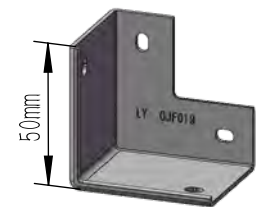
J3 4X



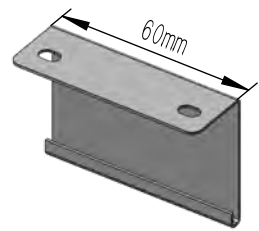
K1 2X



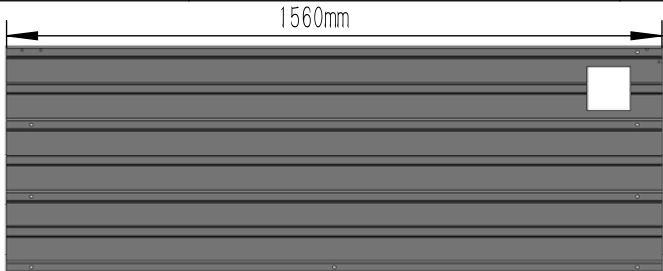
K2 2X



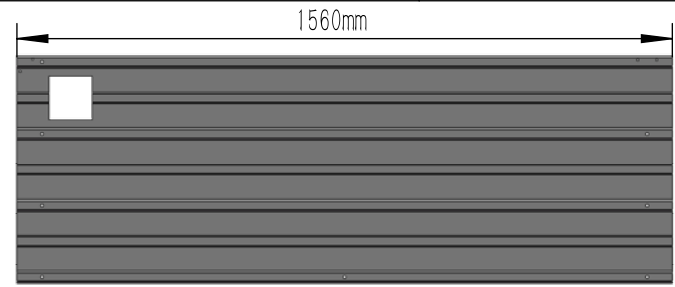
K3 4X



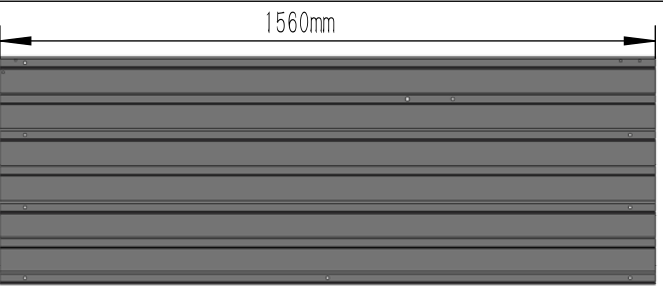
K4 4X



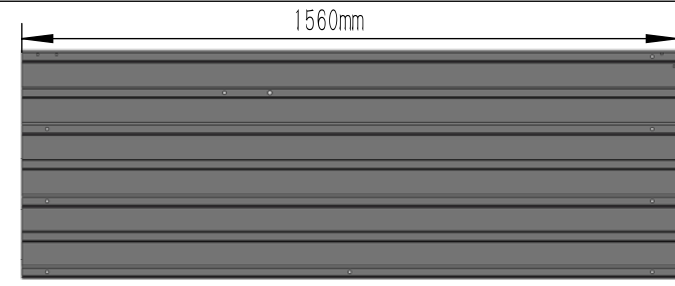
L1 1X



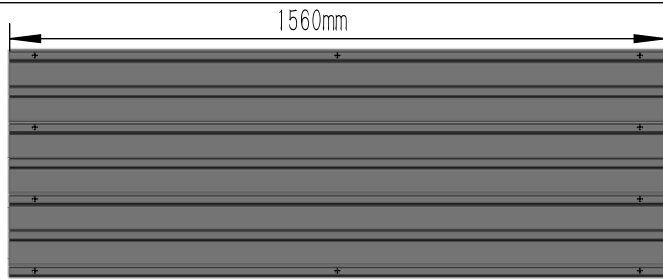
L2 1X



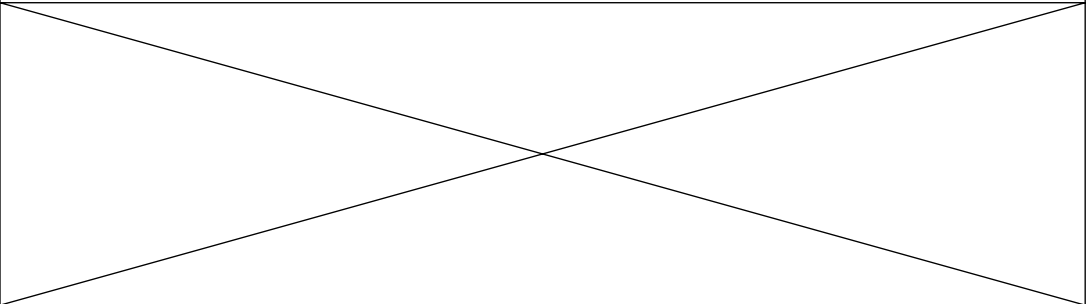
L3 1X

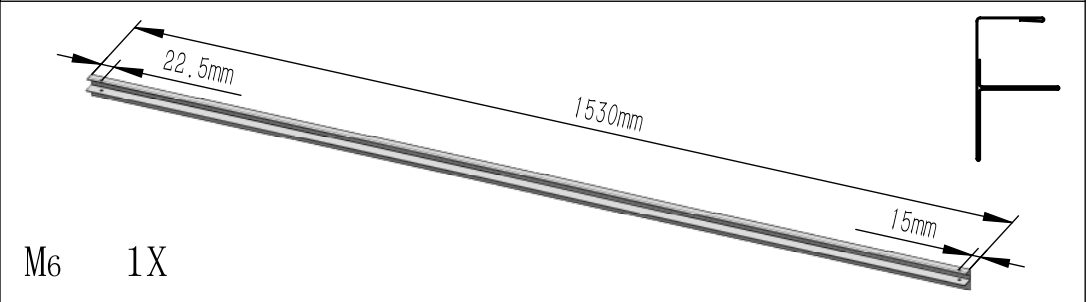
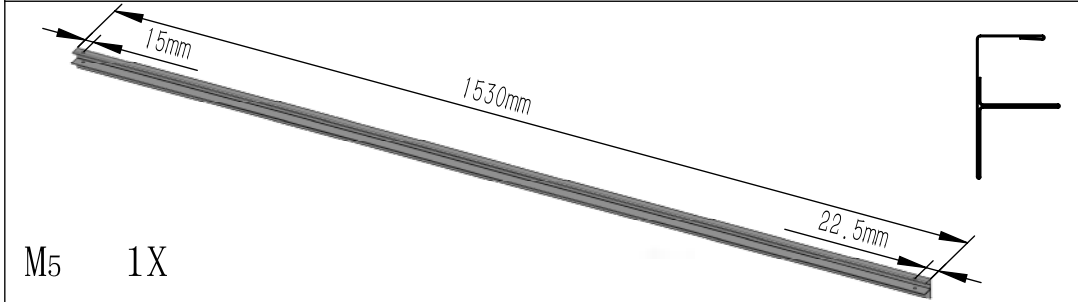
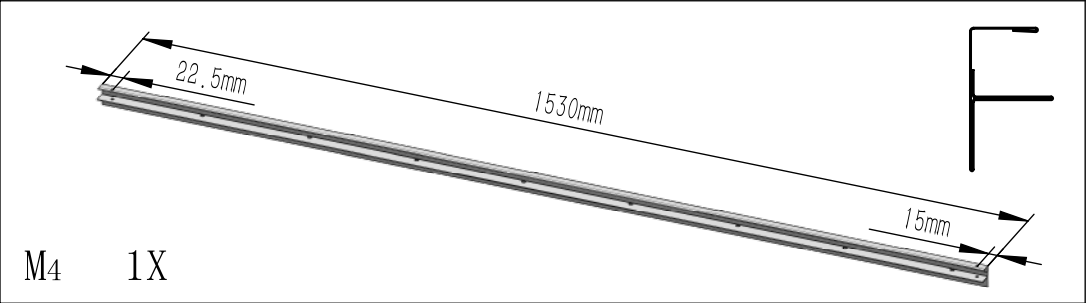
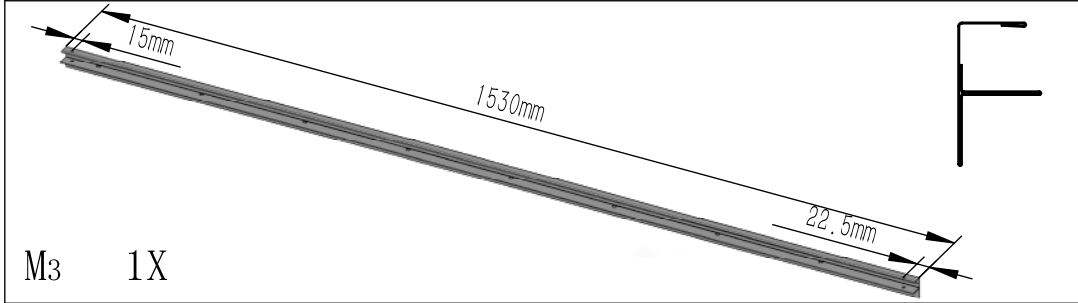
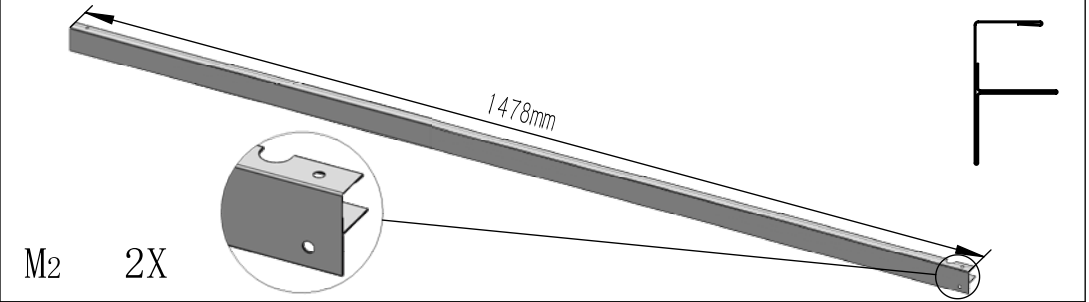
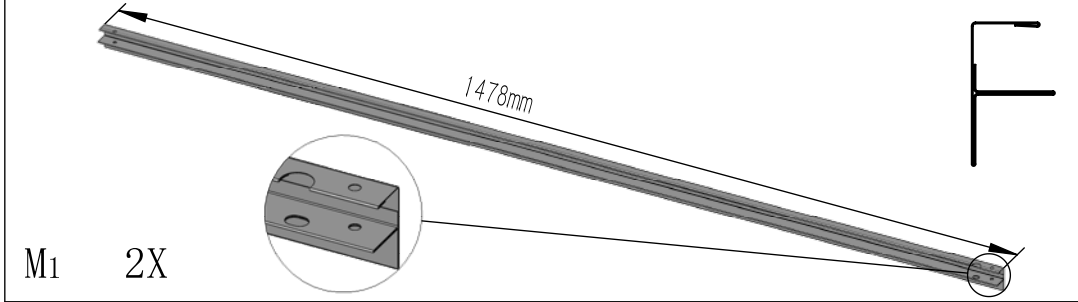
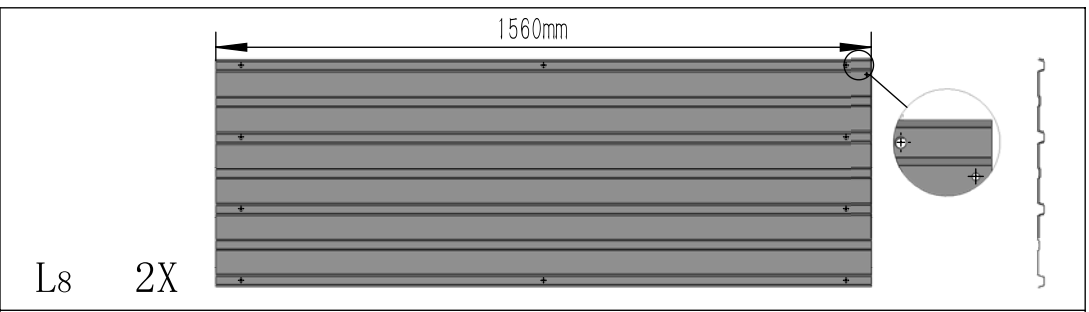
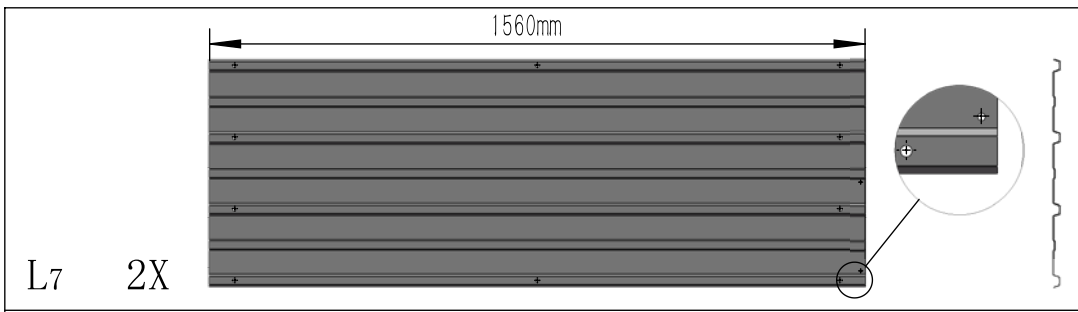







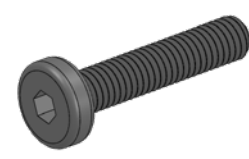
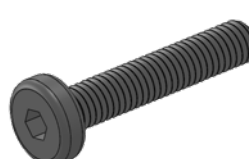
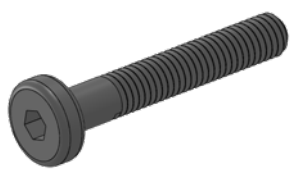
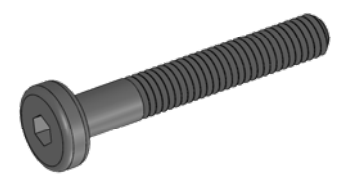


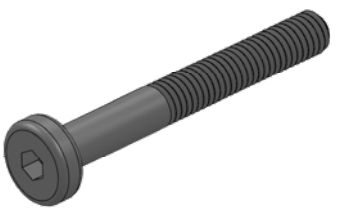




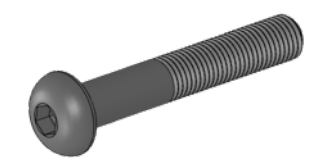
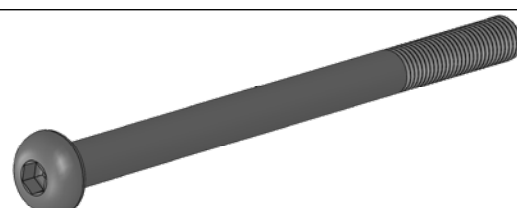


L4 1X



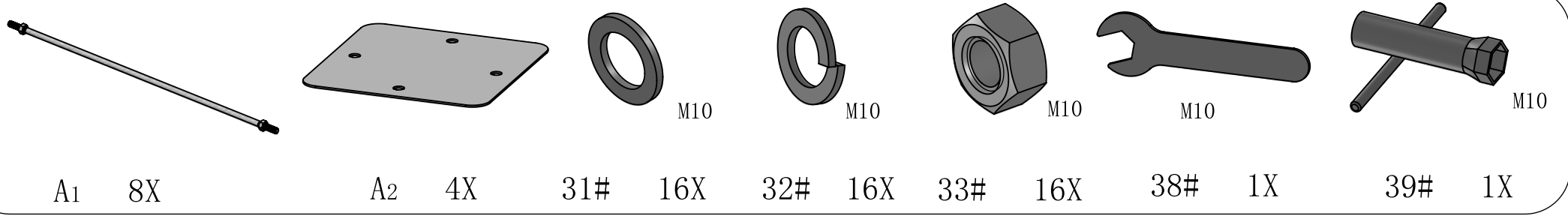
L5 4X



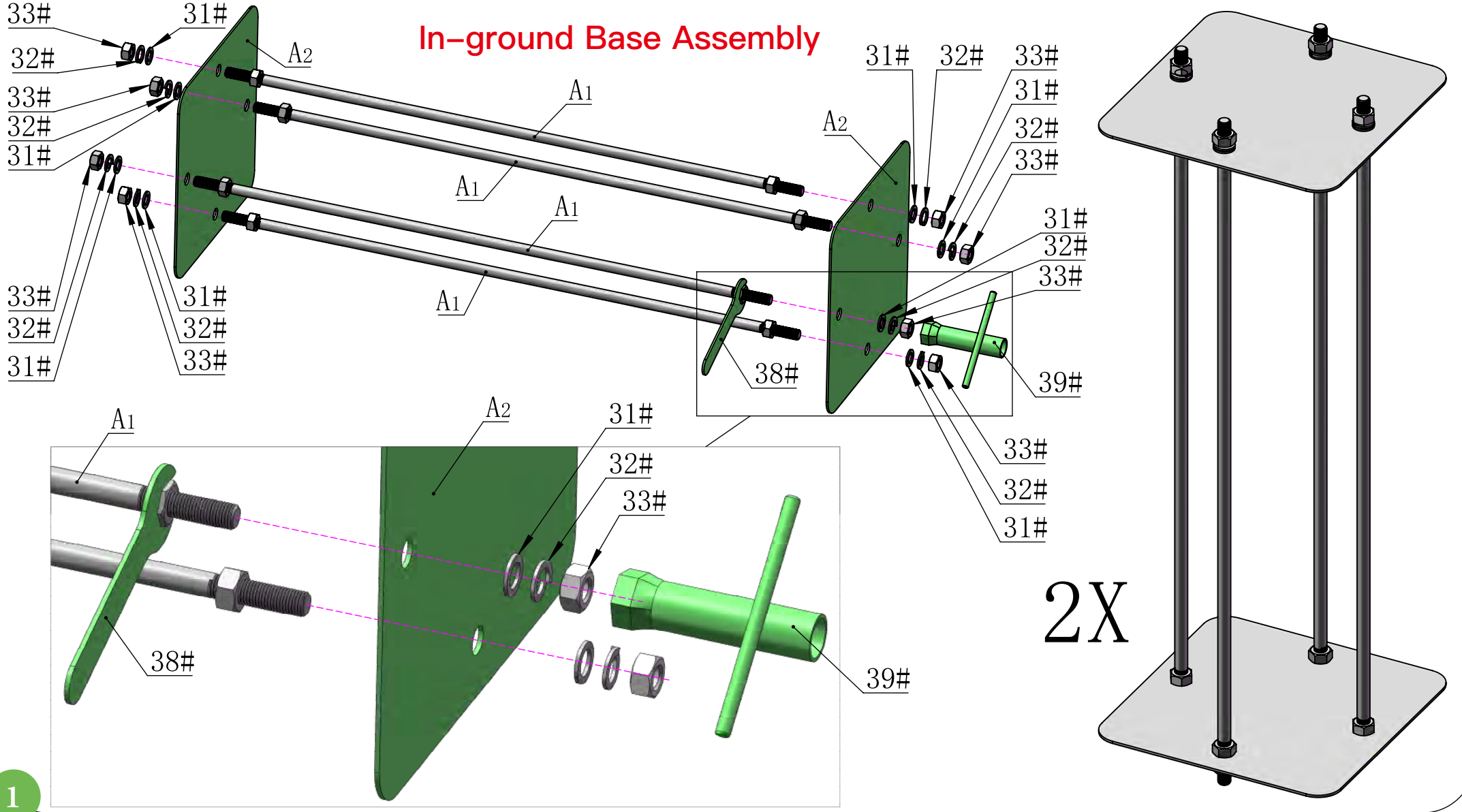


 1# 8X M4*10	 2# 16X M4*28	 3# 24X M4	 4# 24X M4
 5# 48X M6*16	 6# 55X M6*30	 7# 8X M6*32	 8# 8X M6*38
 10# 12X M6*40	 11# 6X M6*42	 12# 10X M6*45	 13# 6X M6*48
 14# 10X M6*55	 15# 44X M6	 16# 6X M6	 17# 44X M6
 18# 2X M8*50	 19# 8X M8*115	 20# 12X M8	 21# 10X M8

 22# 10X M8	 23# 8X M6*40	 24# 65X	 25# 29X M6	
 26# 65X D12/d6.5*H2	 27# 4X D17/d8.4*H2	 28# 4X D13/d6.5*H15	 29# 8X 6*70	
 30# 8X	 31# 16X M10	 32# 16X M10	 33# 16X M10	
 34# 1X S4	 35# 1X M6	 36# 1X S5	 37# 1X M8	
 38# 1X M10	 39# 1X M10	 40# 2X M8*60	 41# 2X M8	 42# 1X

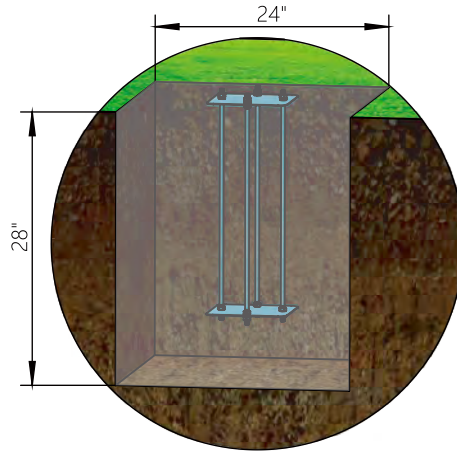
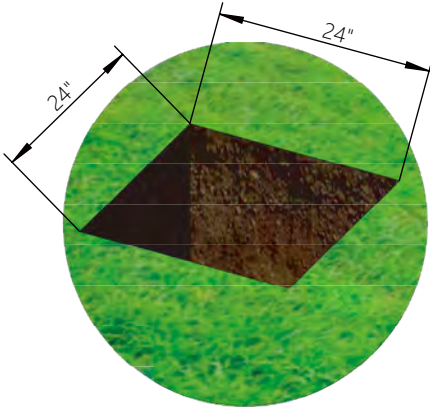


### In-ground Base Assembly

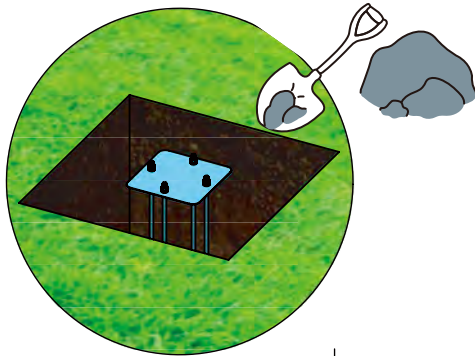
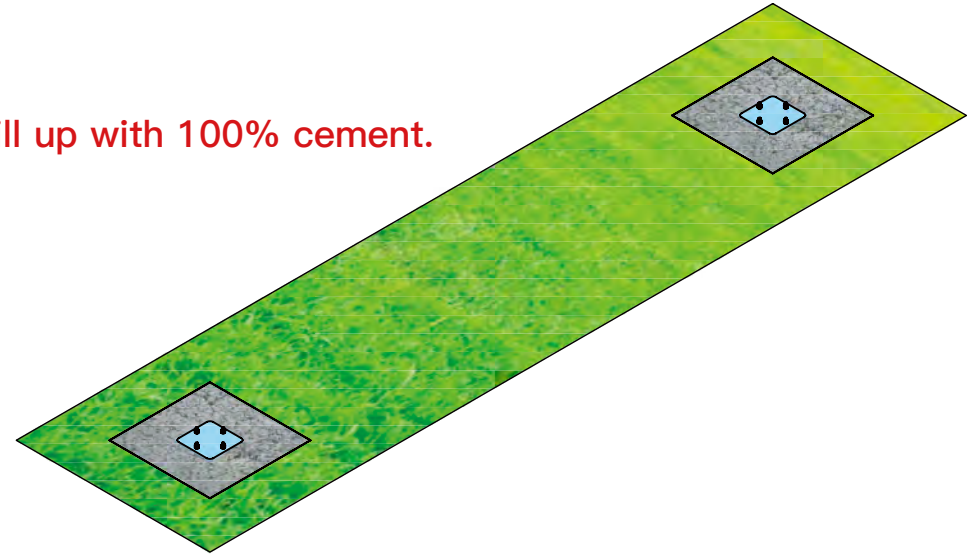


# In-ground Base Assembly

Dig a hole (24"x24" xH 28")

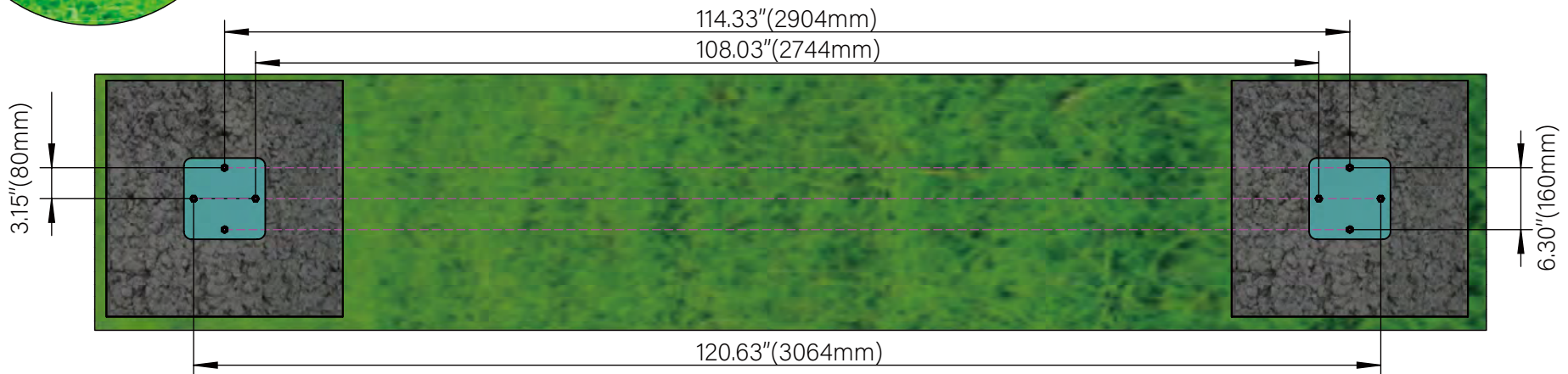


Fill up with 100% cement.

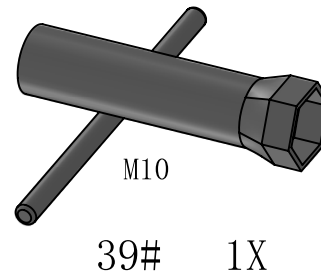
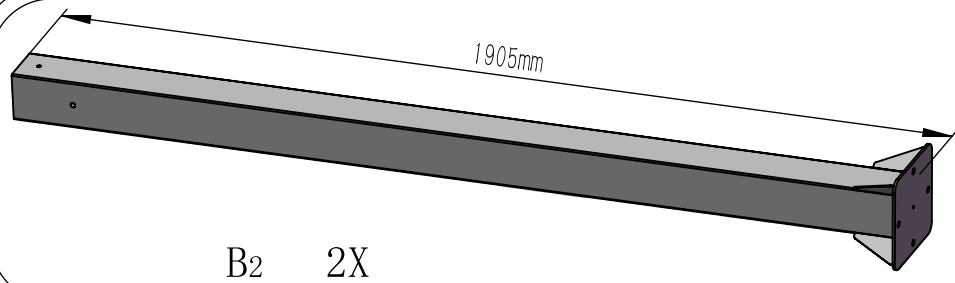


Note: Before putting the in-ground base down, make sure that it's horizontal to the ground. The gazebo can only be installed after the concrete has completely solidified.

We recommend that before installing the 2 in-ground bases, you first assemble the 2 rear poles and the rear crossbeam. This will help determine the installation position and dimensions of the in-ground bases more accurately.

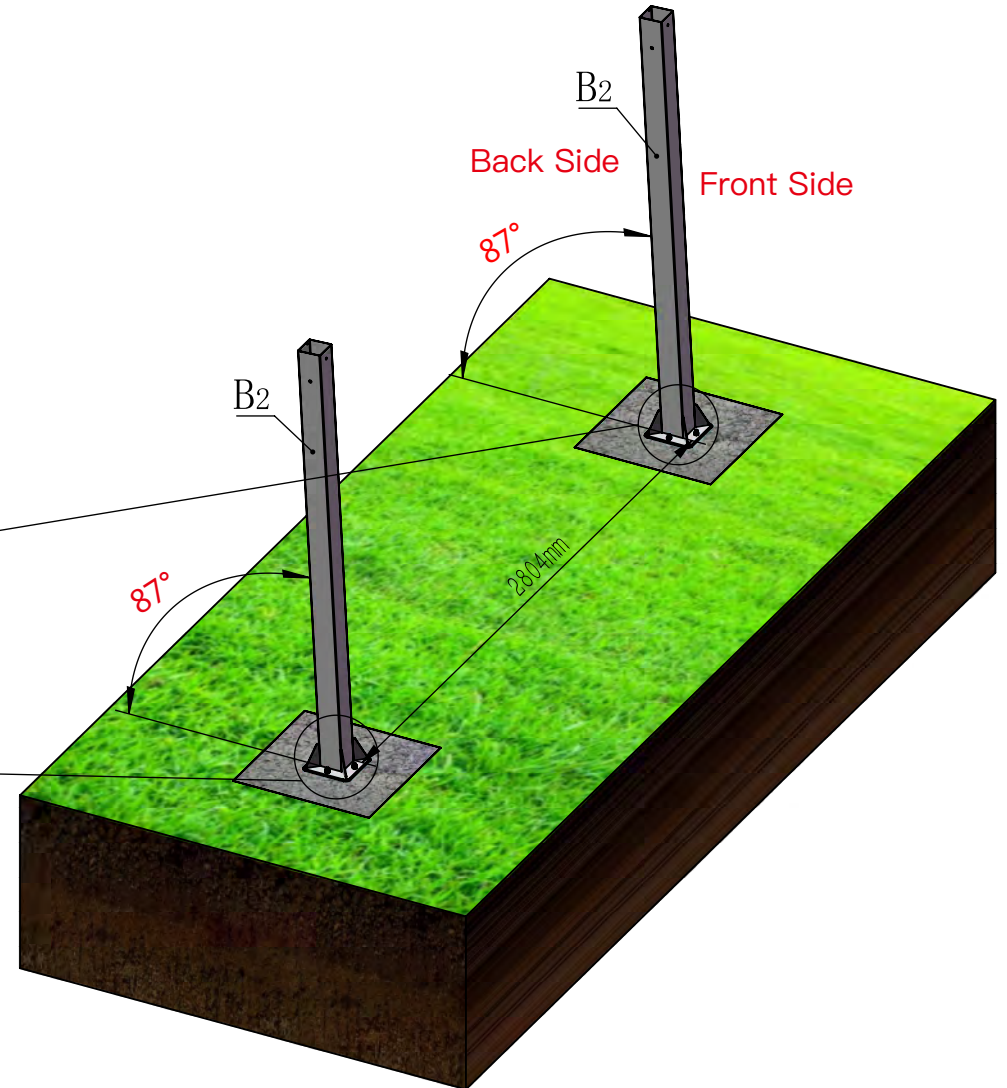
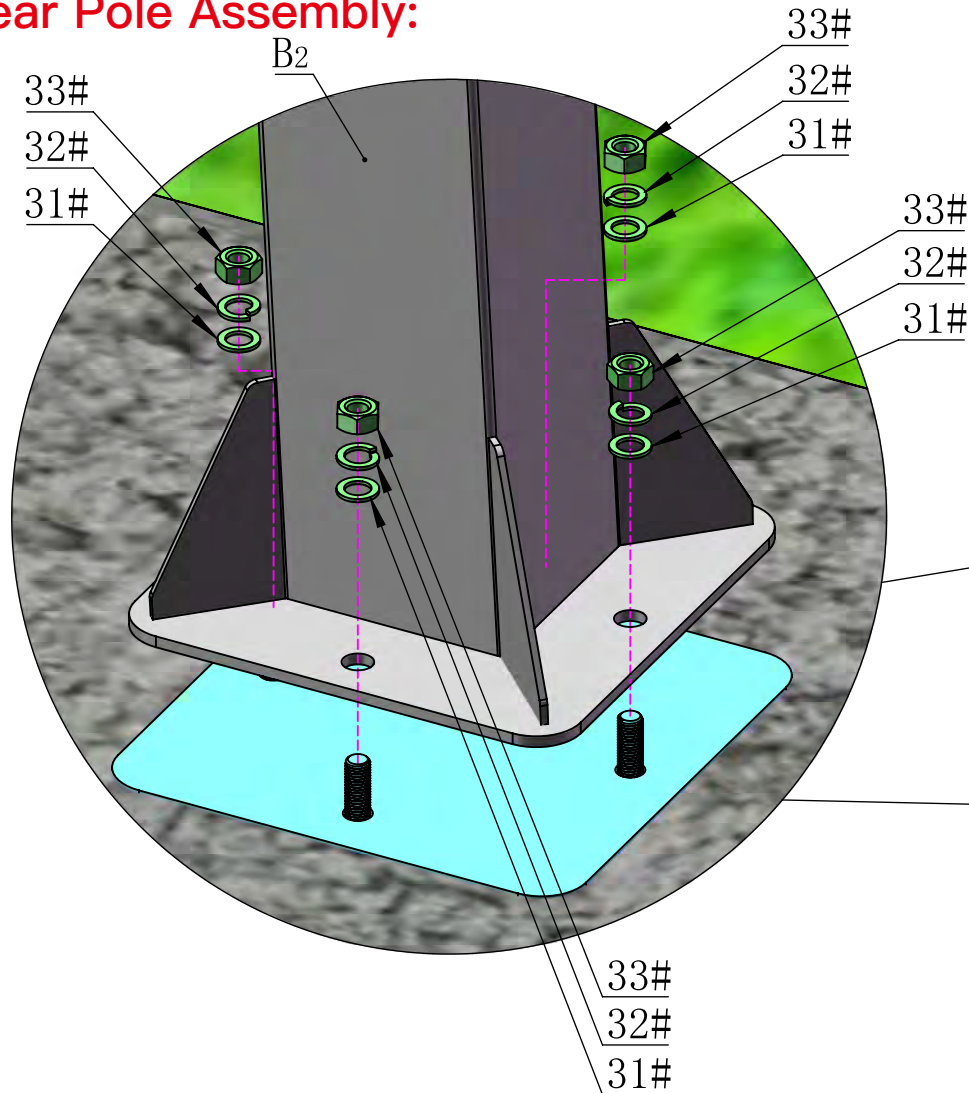


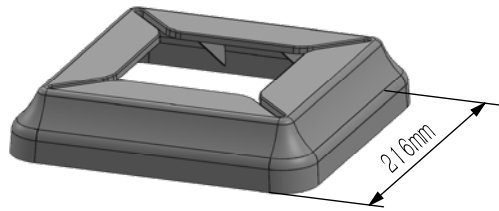




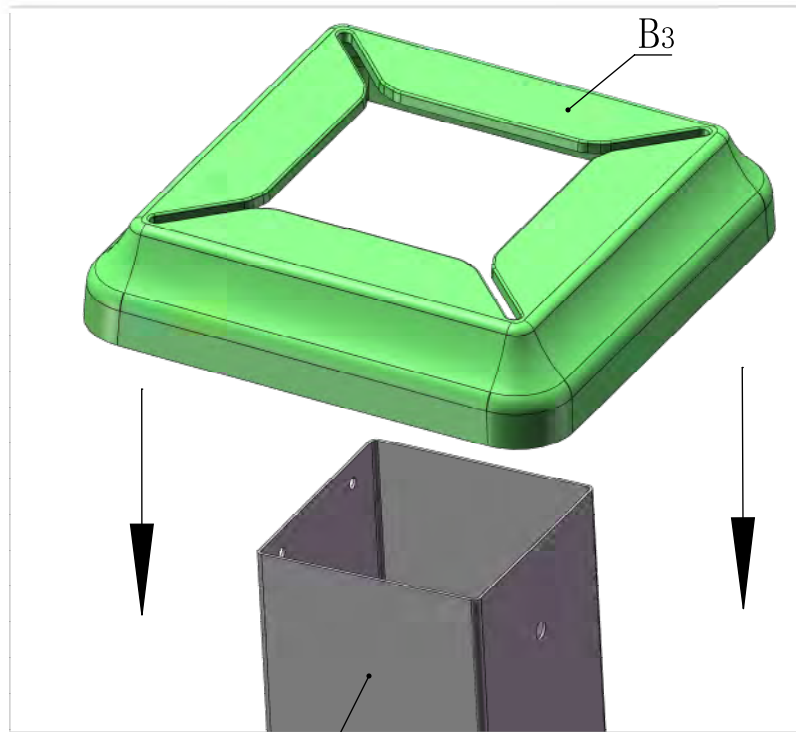
Note the inclination angles of the two rear poles during installation. You can first fit the base cover #B3 over #B2 (see the next page).

### Rear Pole Assembly:

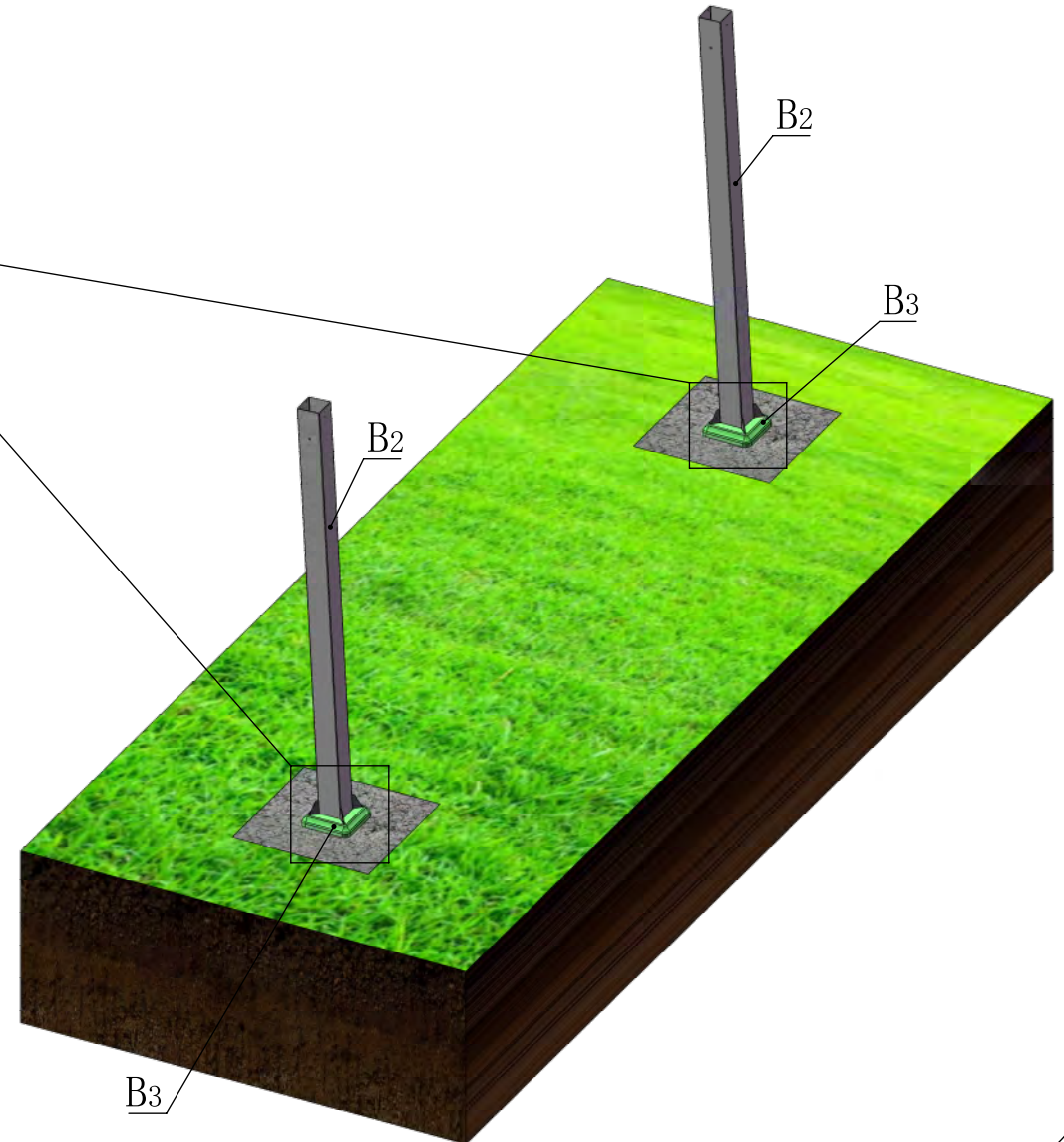




B3 2X



B2

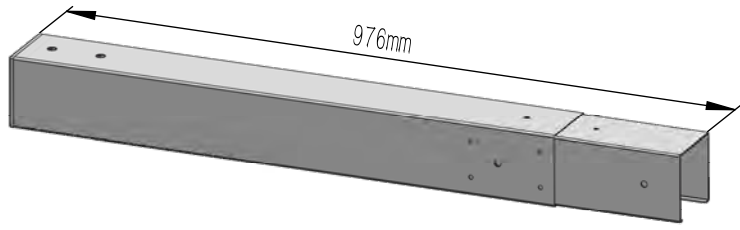


B2

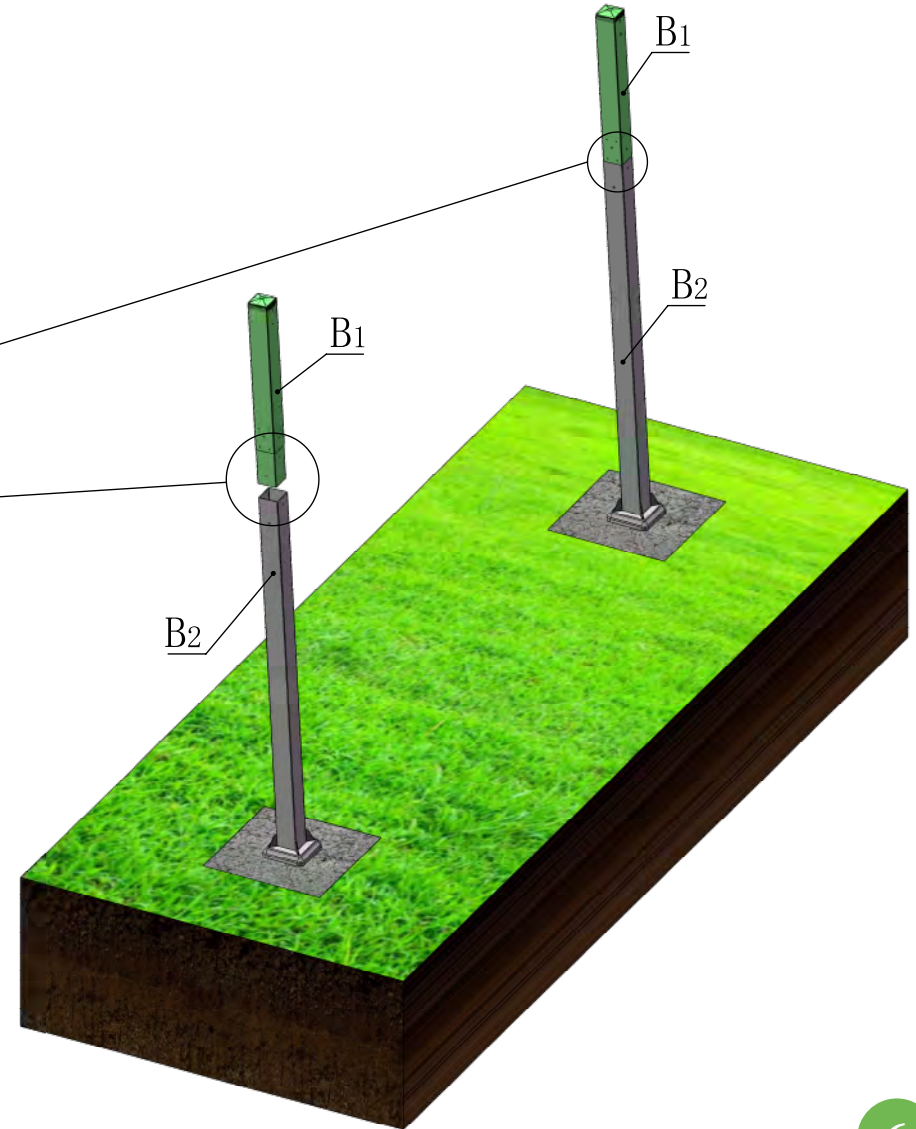
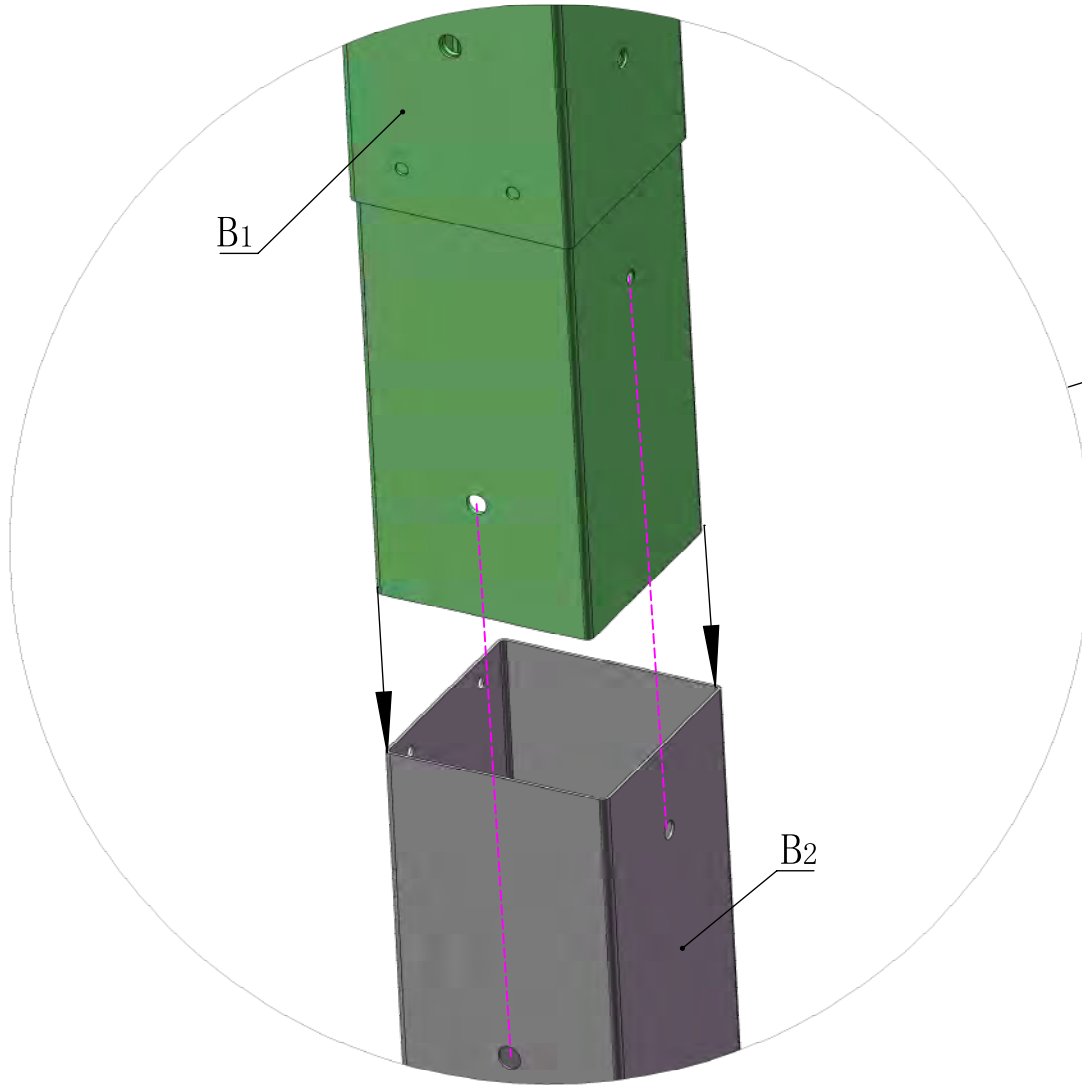
B3

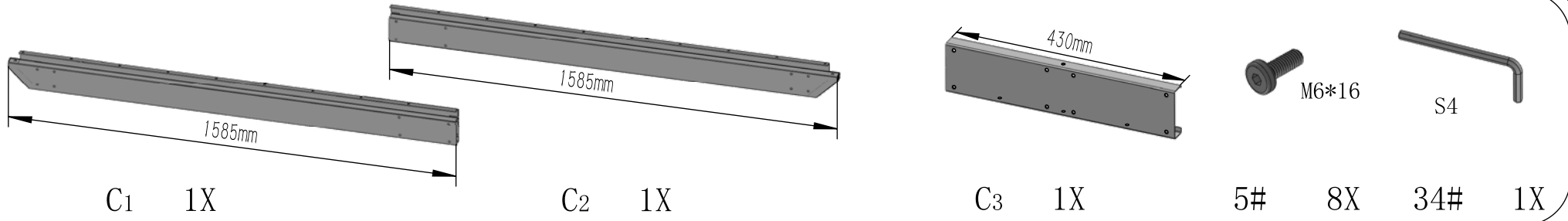
B2

B3

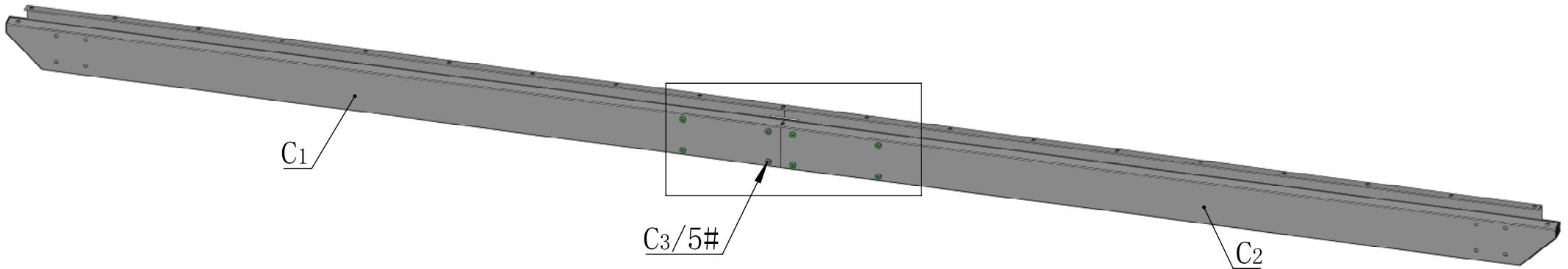
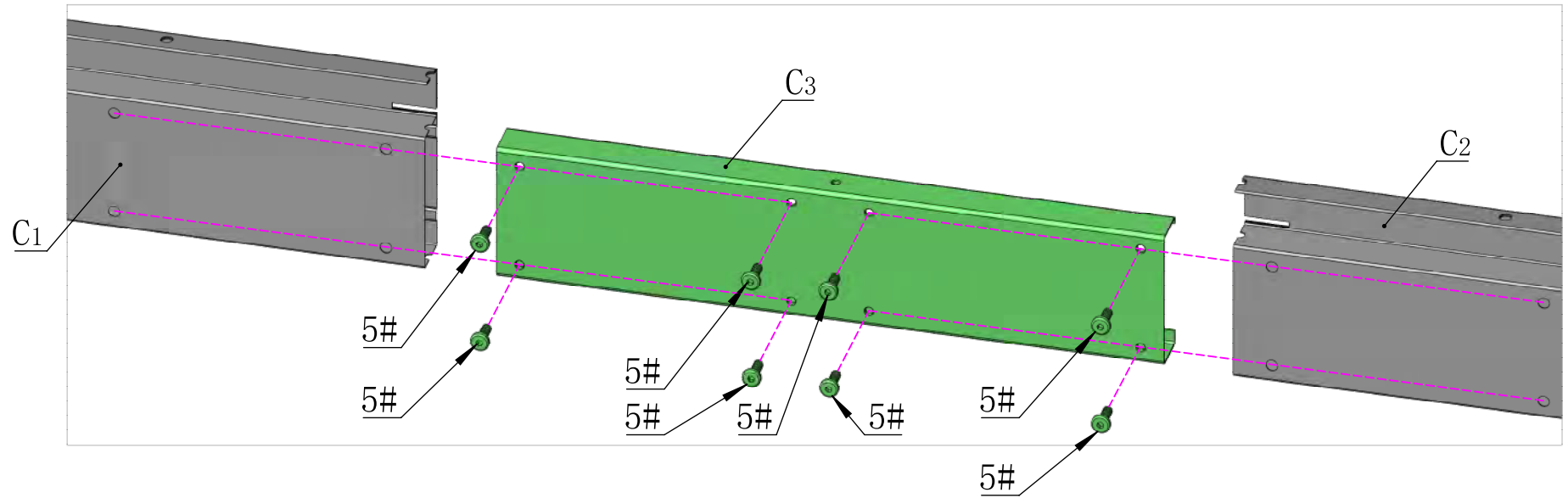


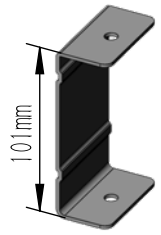
B1 2X





## Rear Beam Assembly:





C4 1X



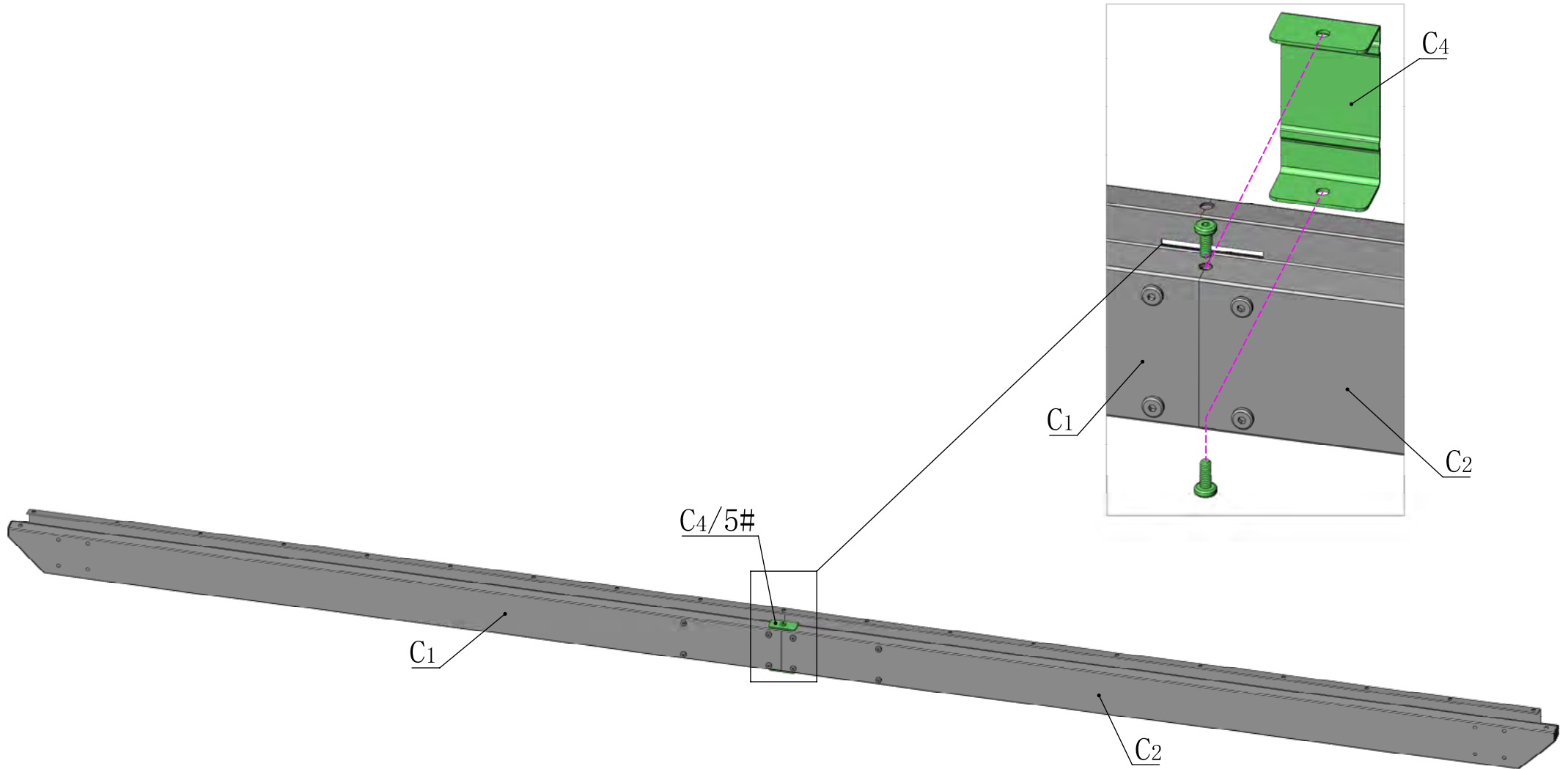
M6\*16

5# 2X



S4

34# 1X





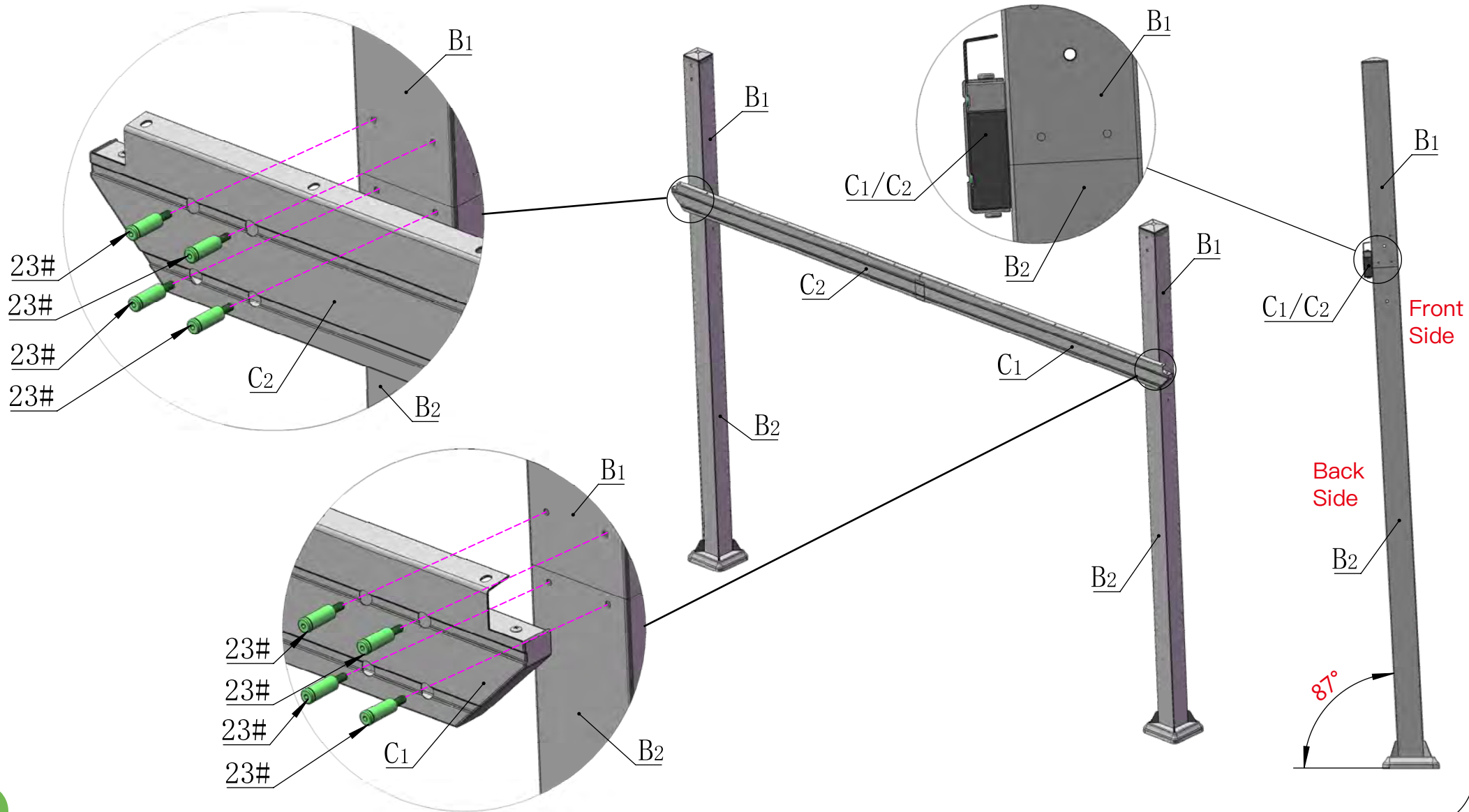
M6\*40

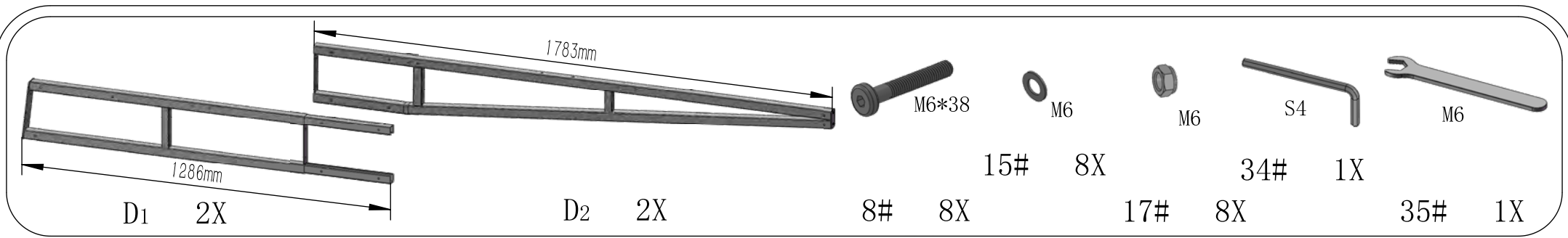


S4

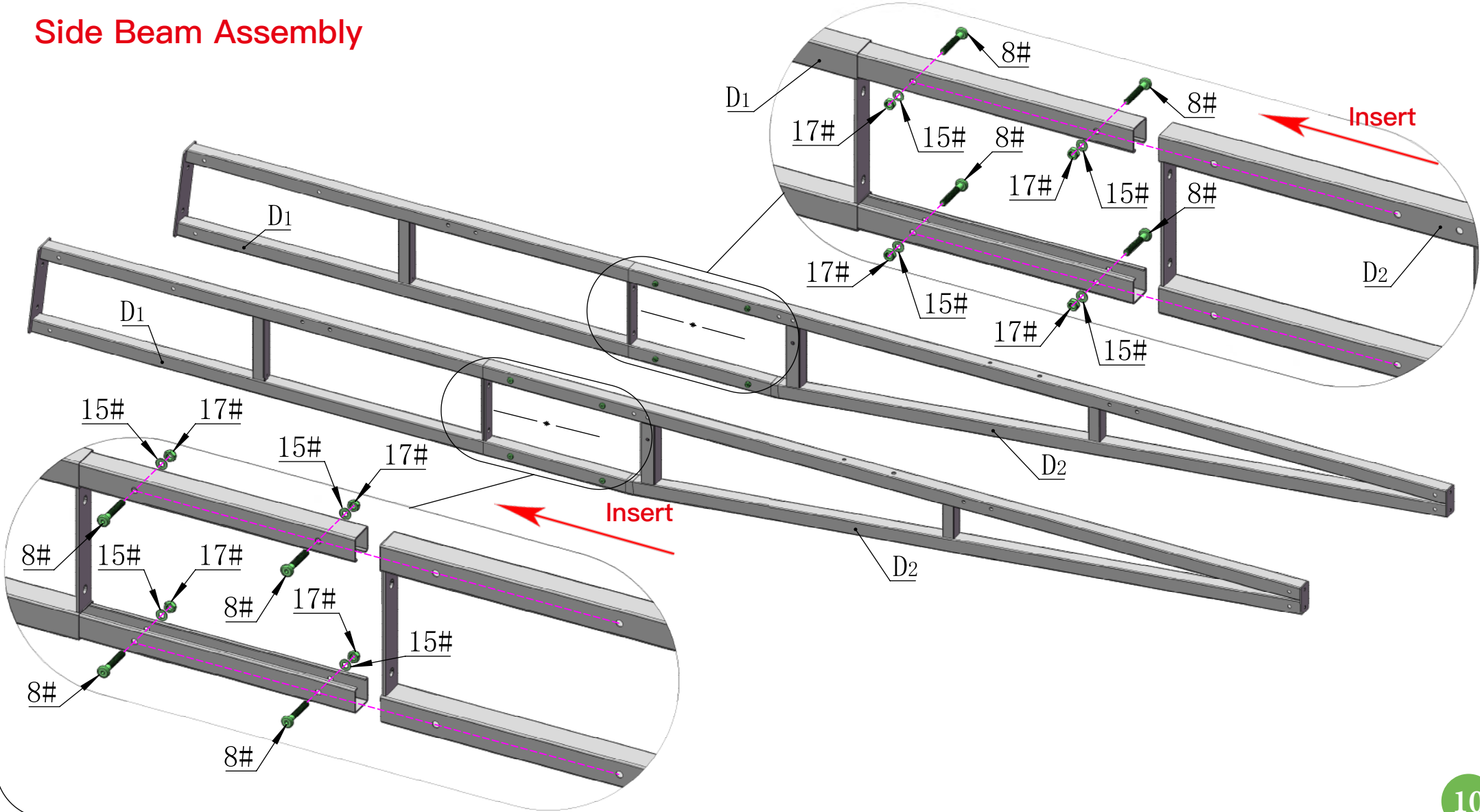
23# 8X

34# 1X





## Side Beam Assembly





M6\*16



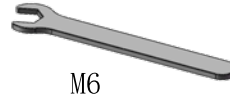
M6



M6



S4



M6

5#

4X

15#

4X

17#

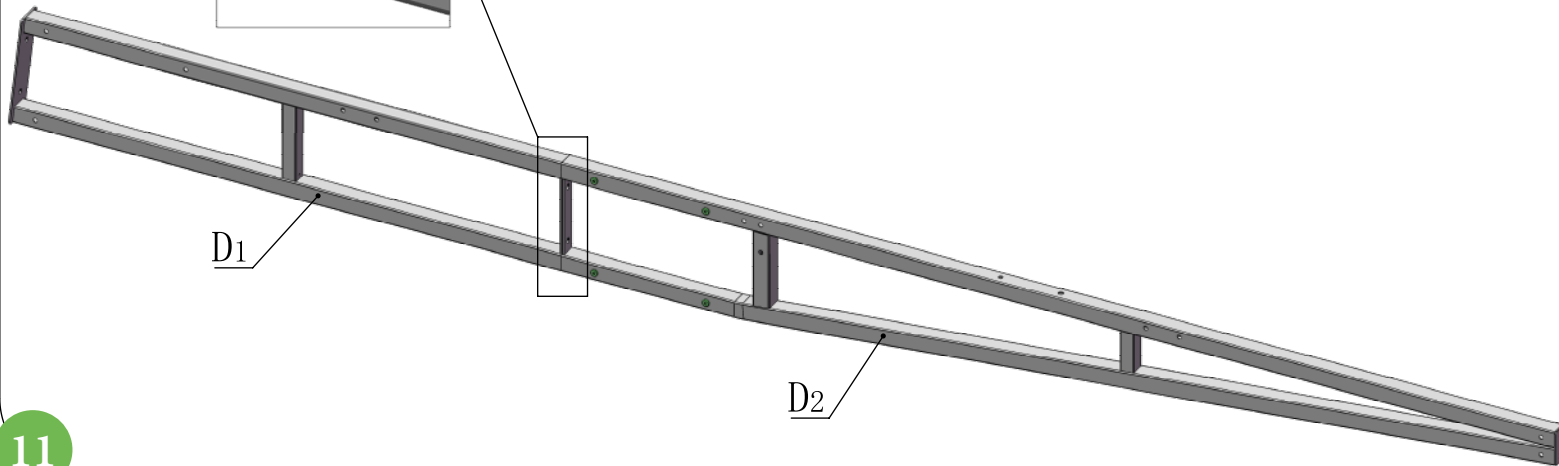
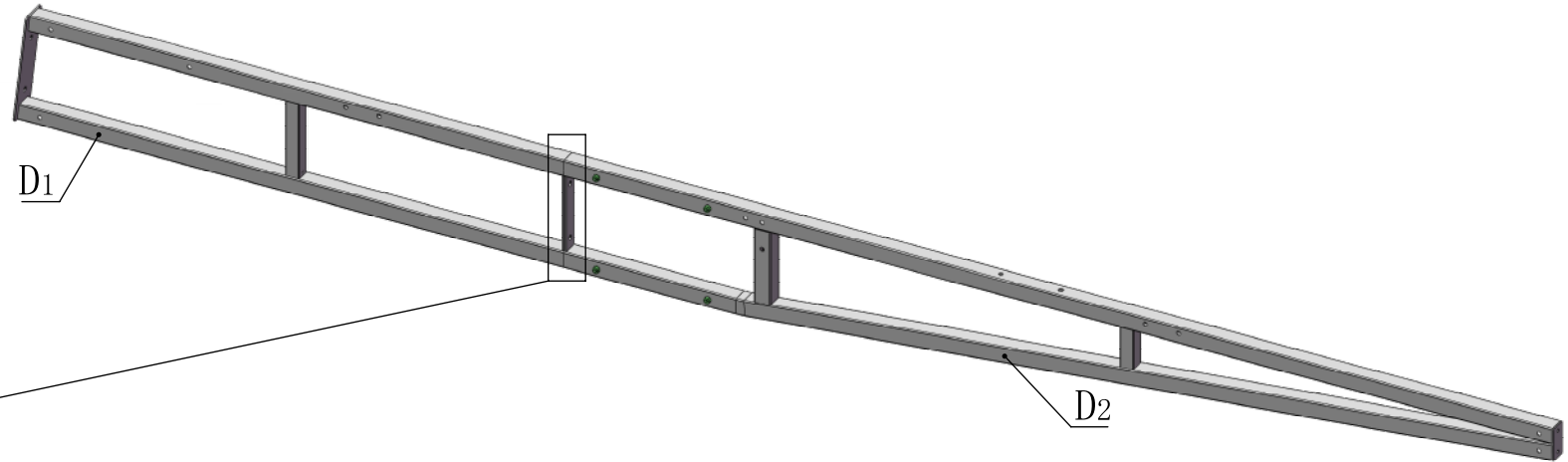
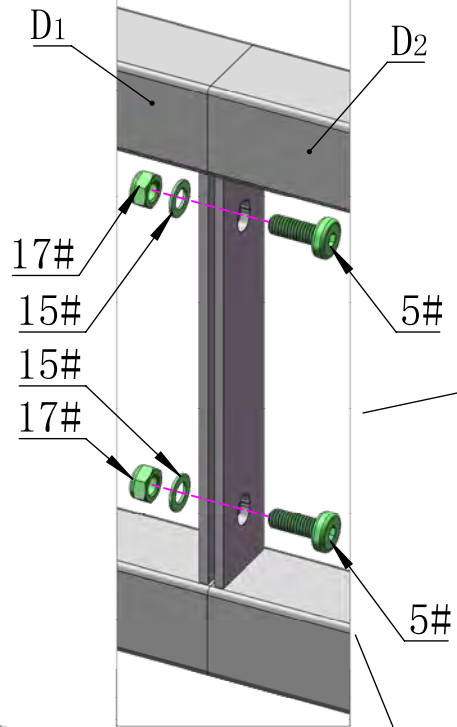
4X

34#

1X

35#

1X





M6\*16



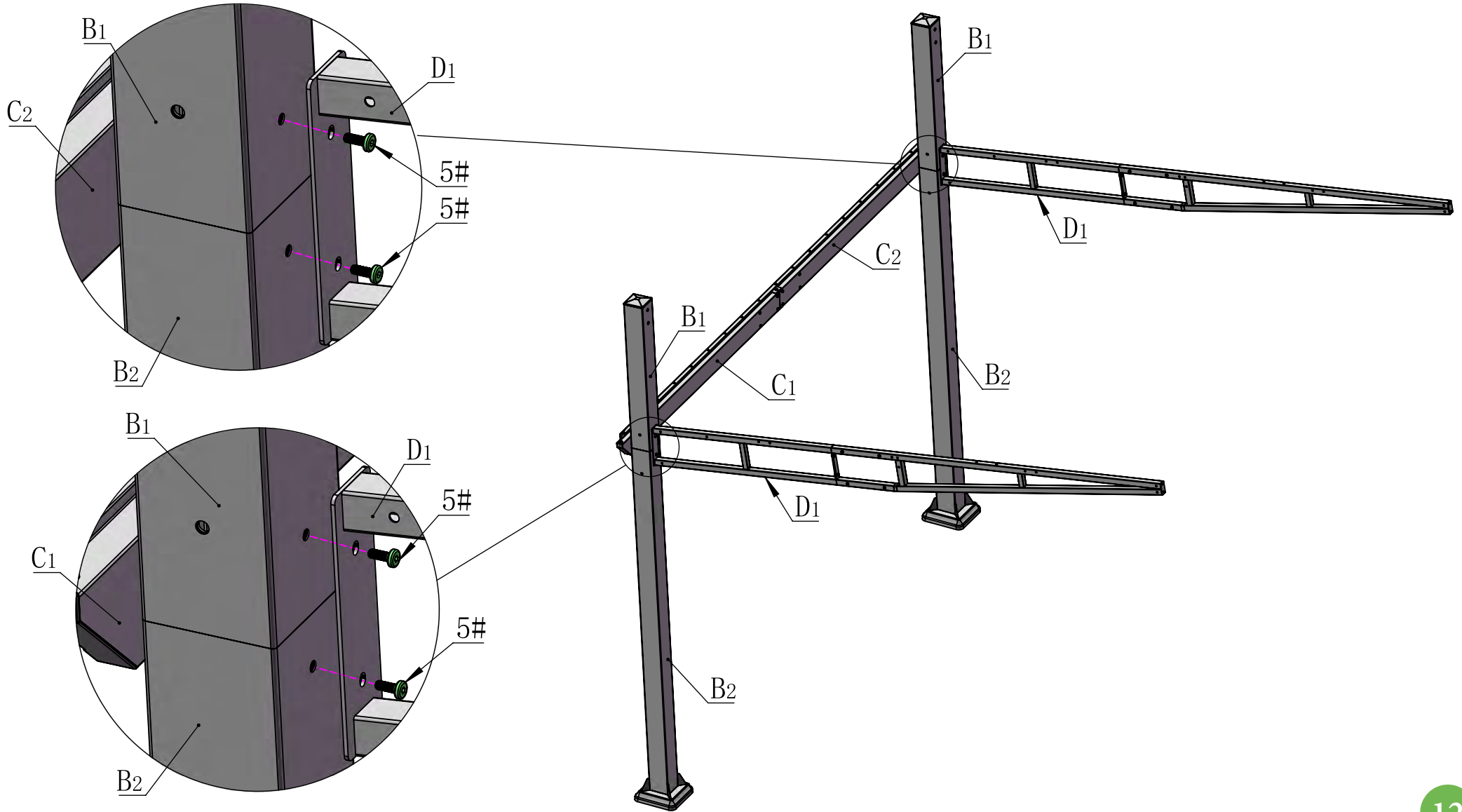
S4

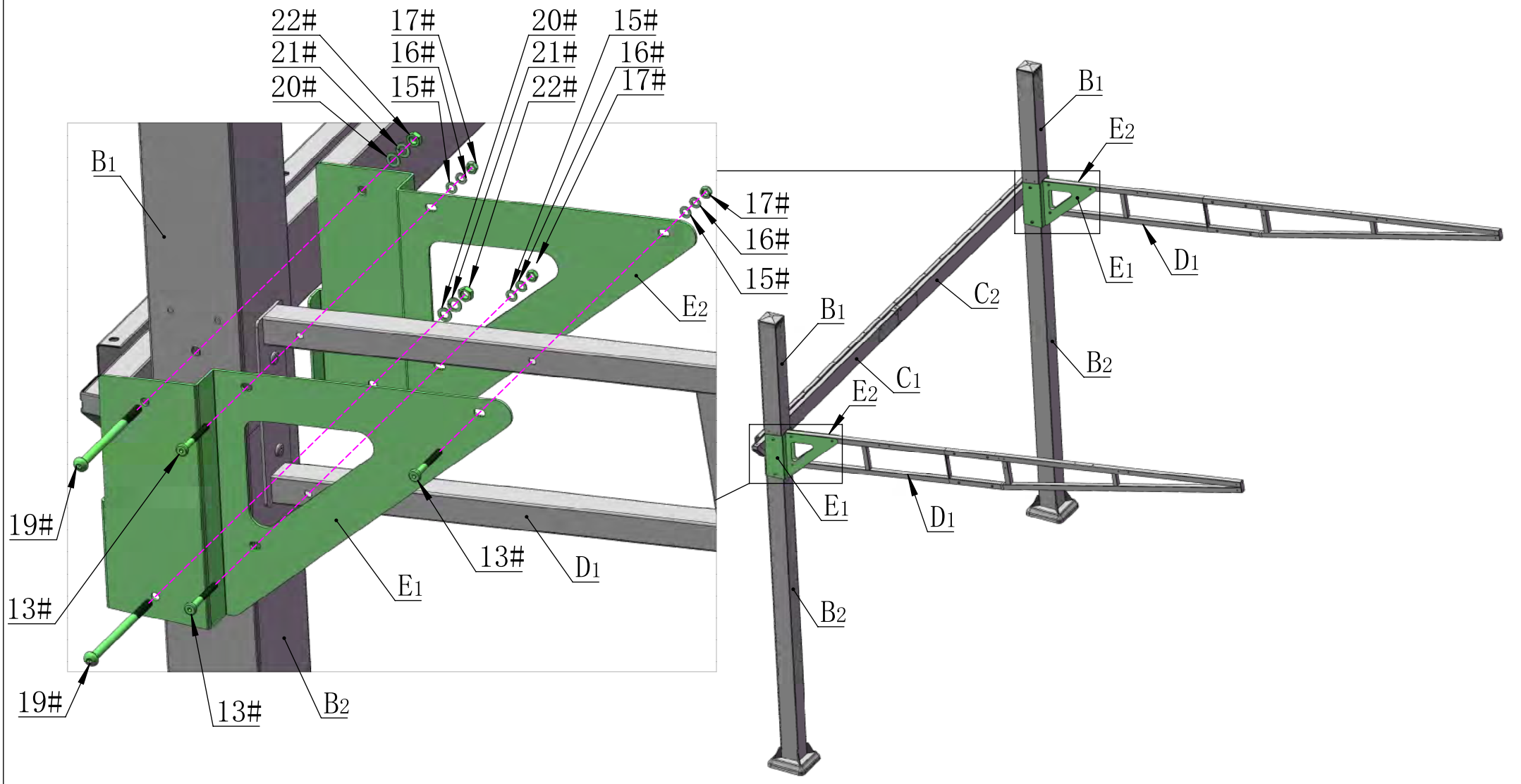
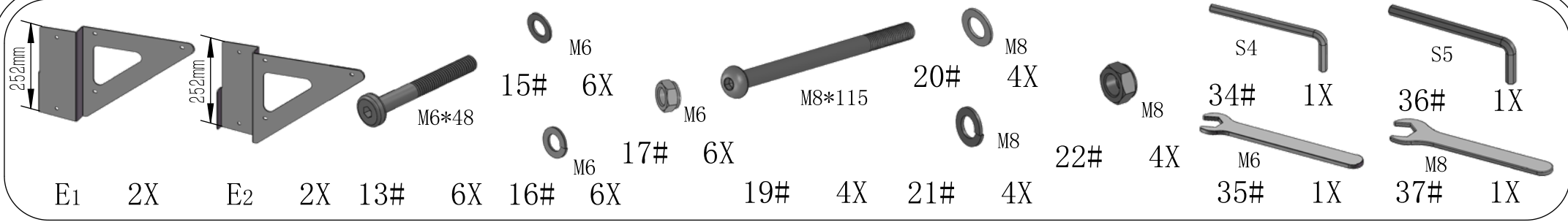
5#

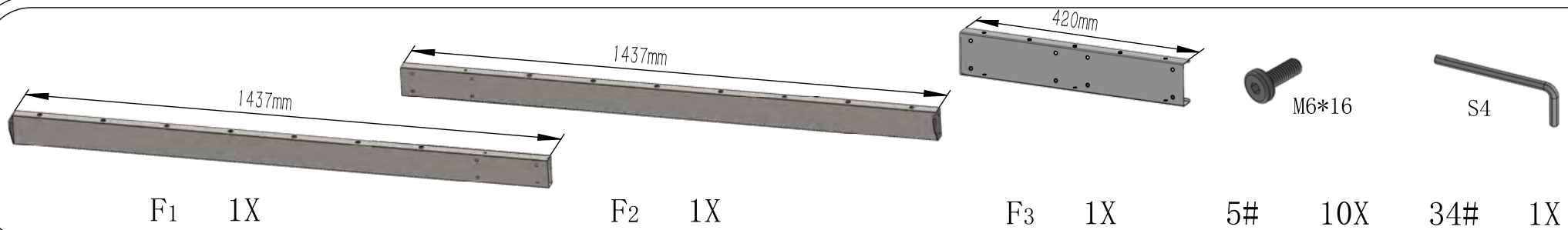
4X

34#

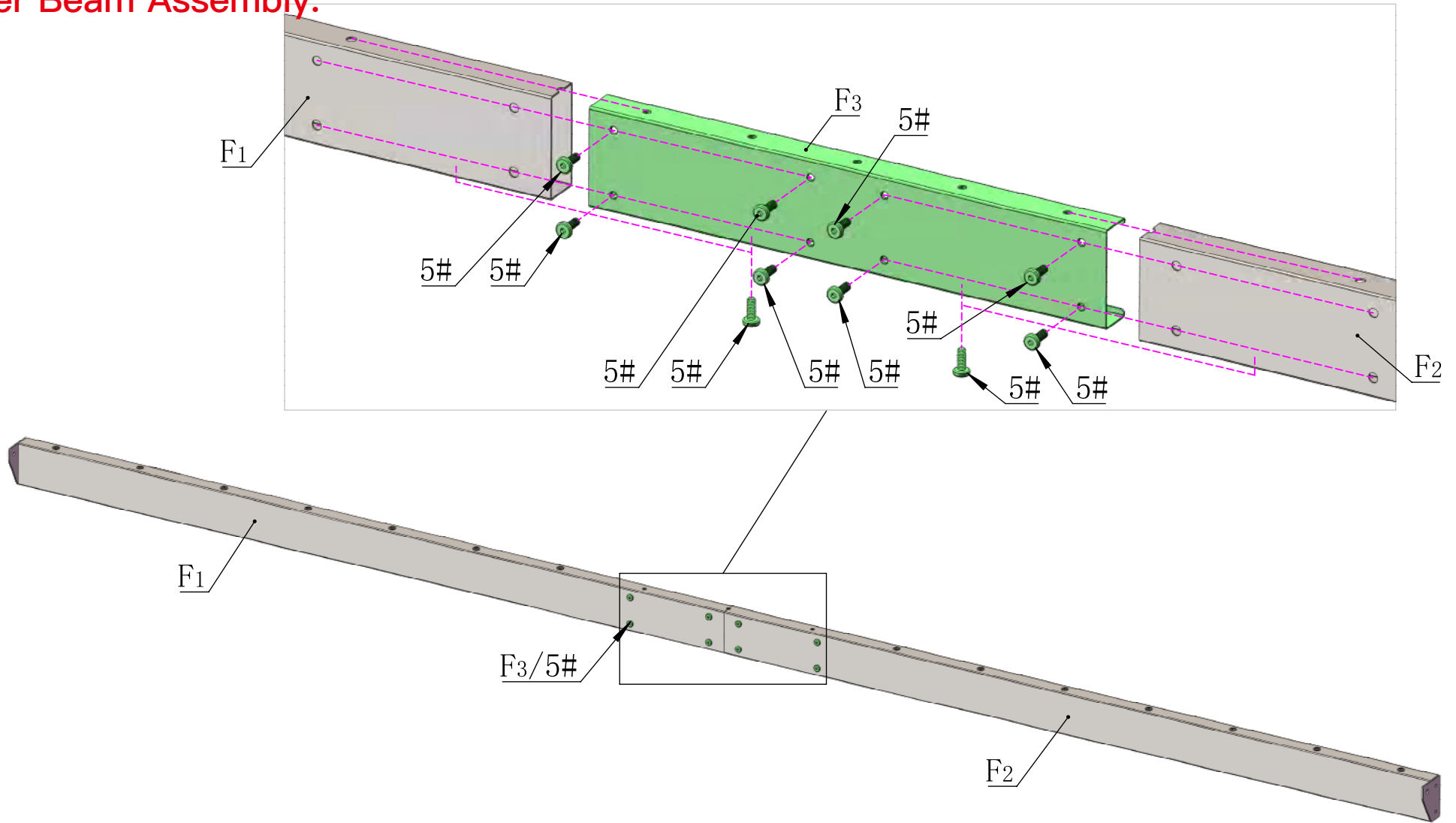
1X







**Center Beam Assembly:**





M6\*42



M6\*45



M6



M6



S4



M6

K1 2X

11# 2X

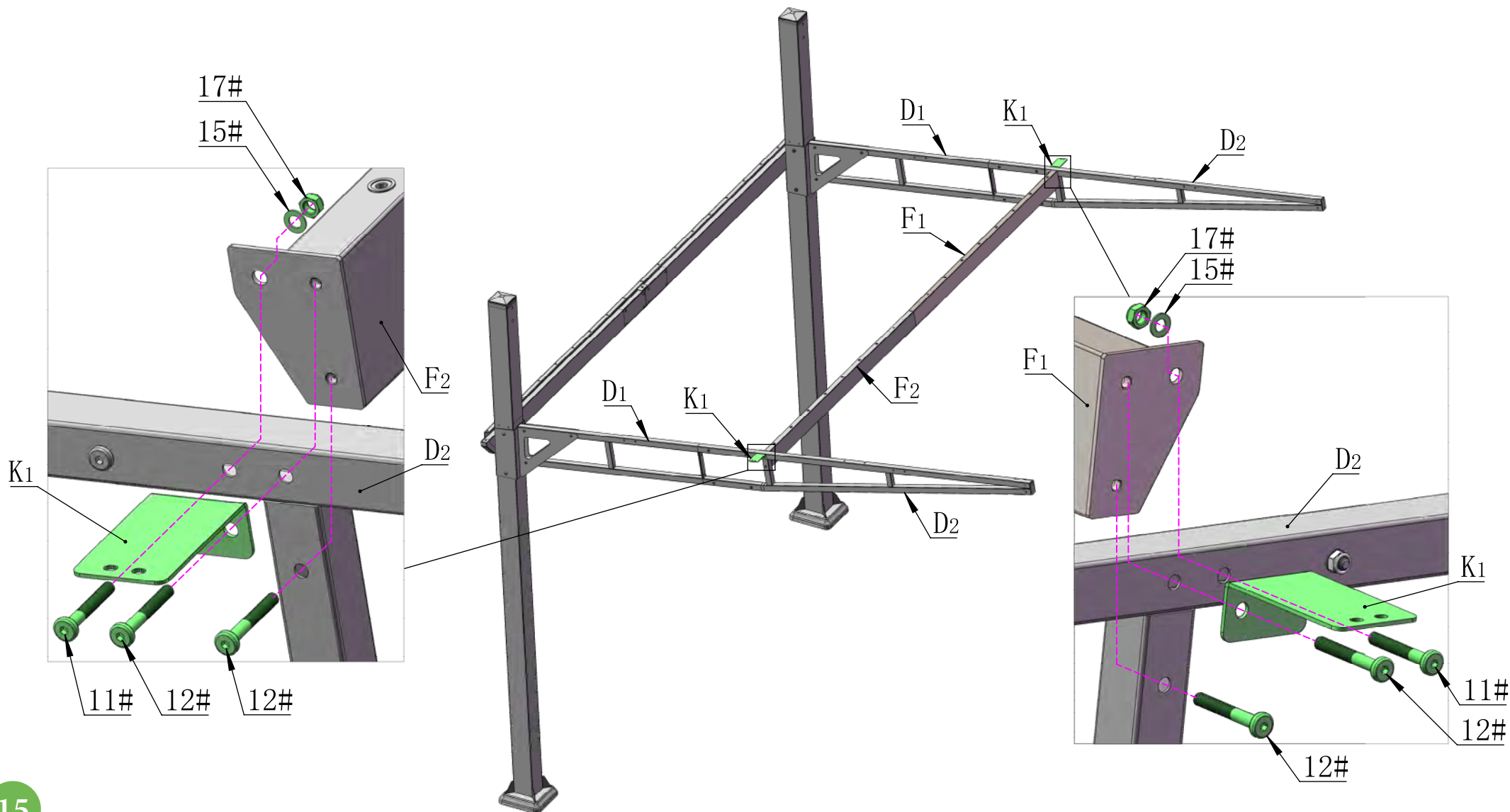
12# 4X

15# 2X

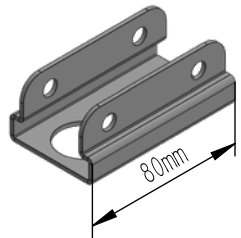
17# 2X

34# 1X

35# 1X







G3 2X



11# 4X



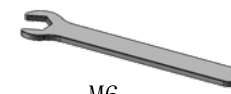
15# 4X



17# 4X

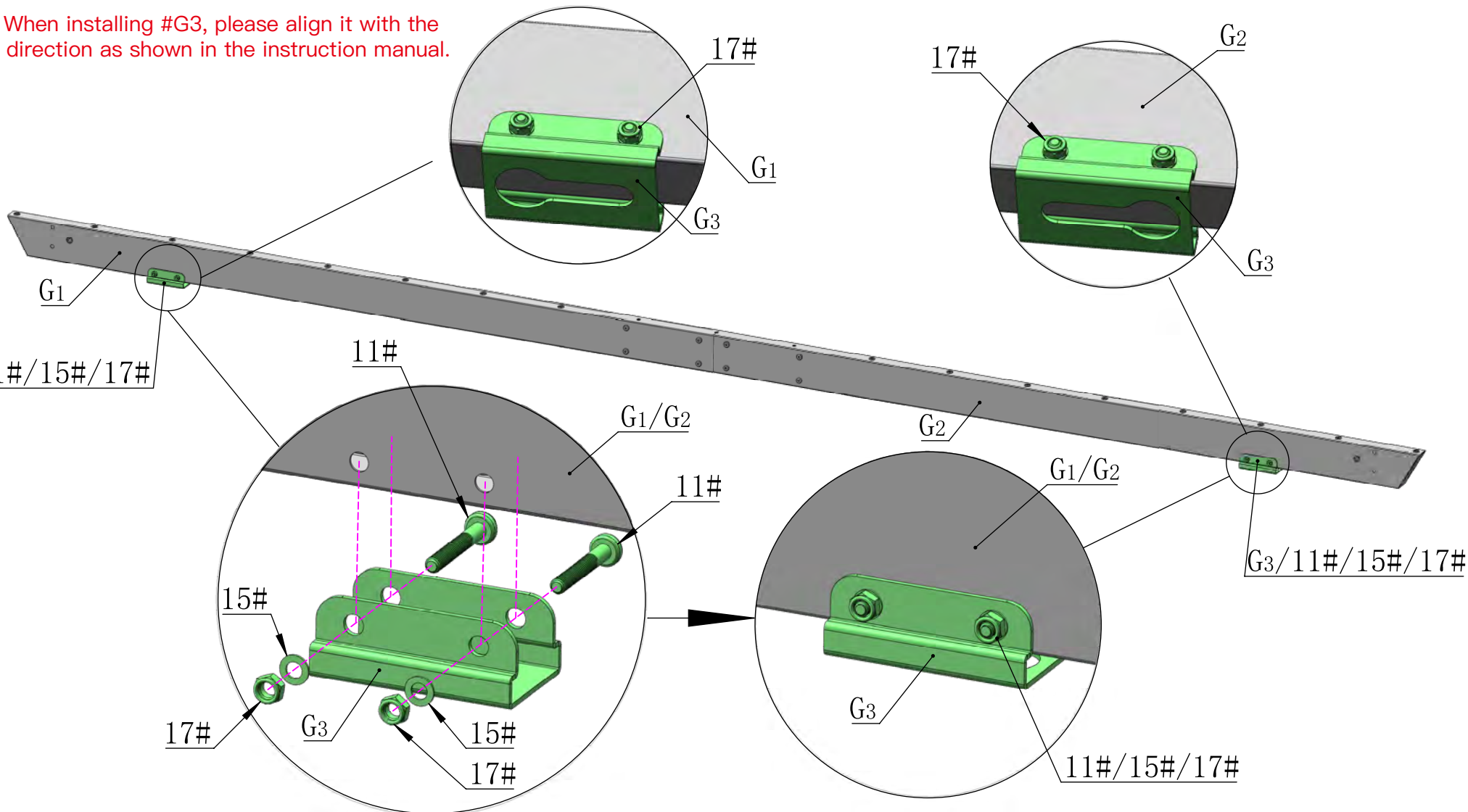


34# 1X



35# 1X

Note: When installing #G3, please align it with the notch direction as shown in the instruction manual.





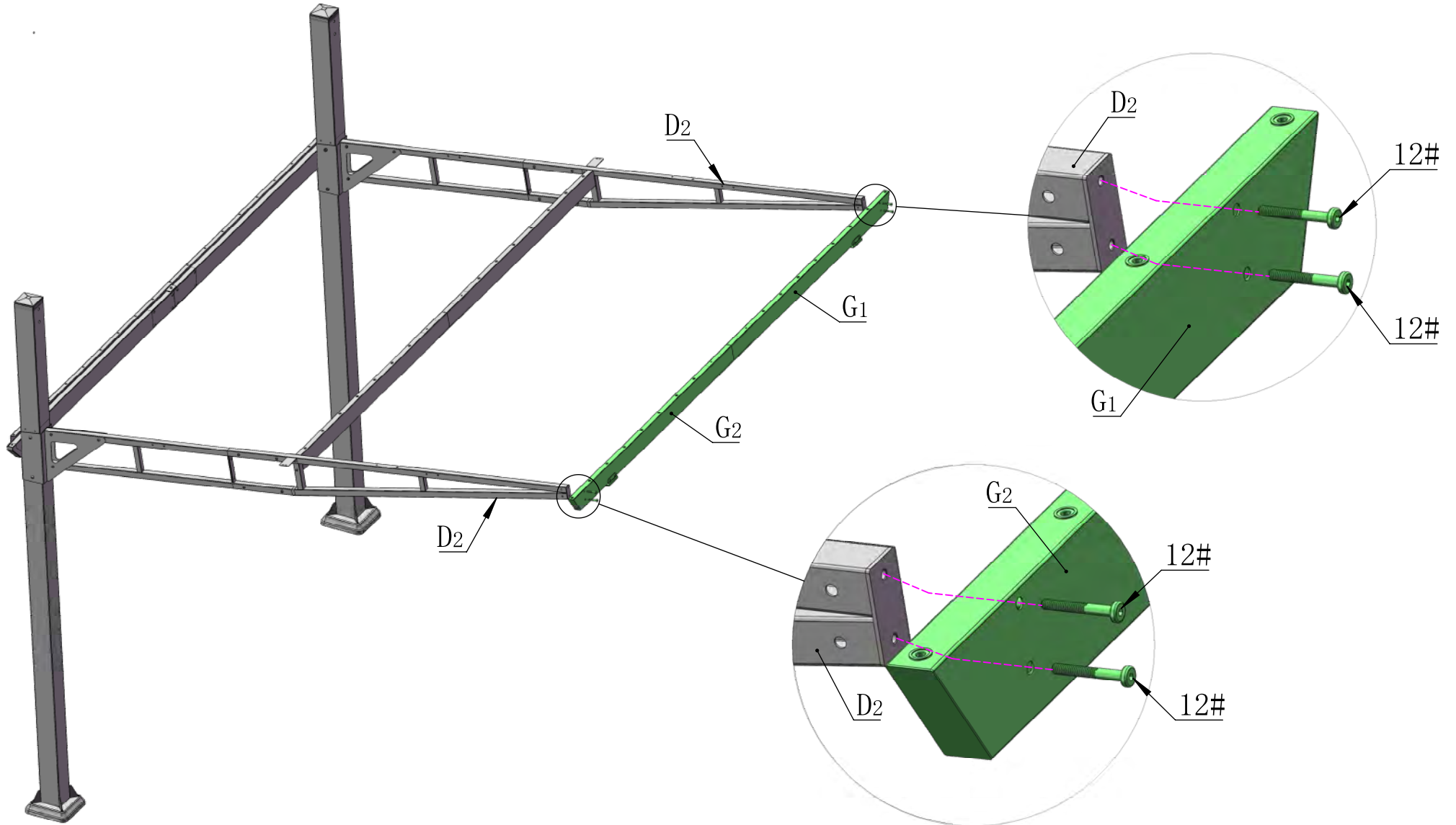
M6\*45

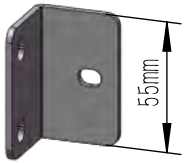


S4

12# 4X

34# 1X





K2 2X



M6\*16

5# 2X



M6\*40

10# 4X



M6

15# 4X



M6

17# 4X



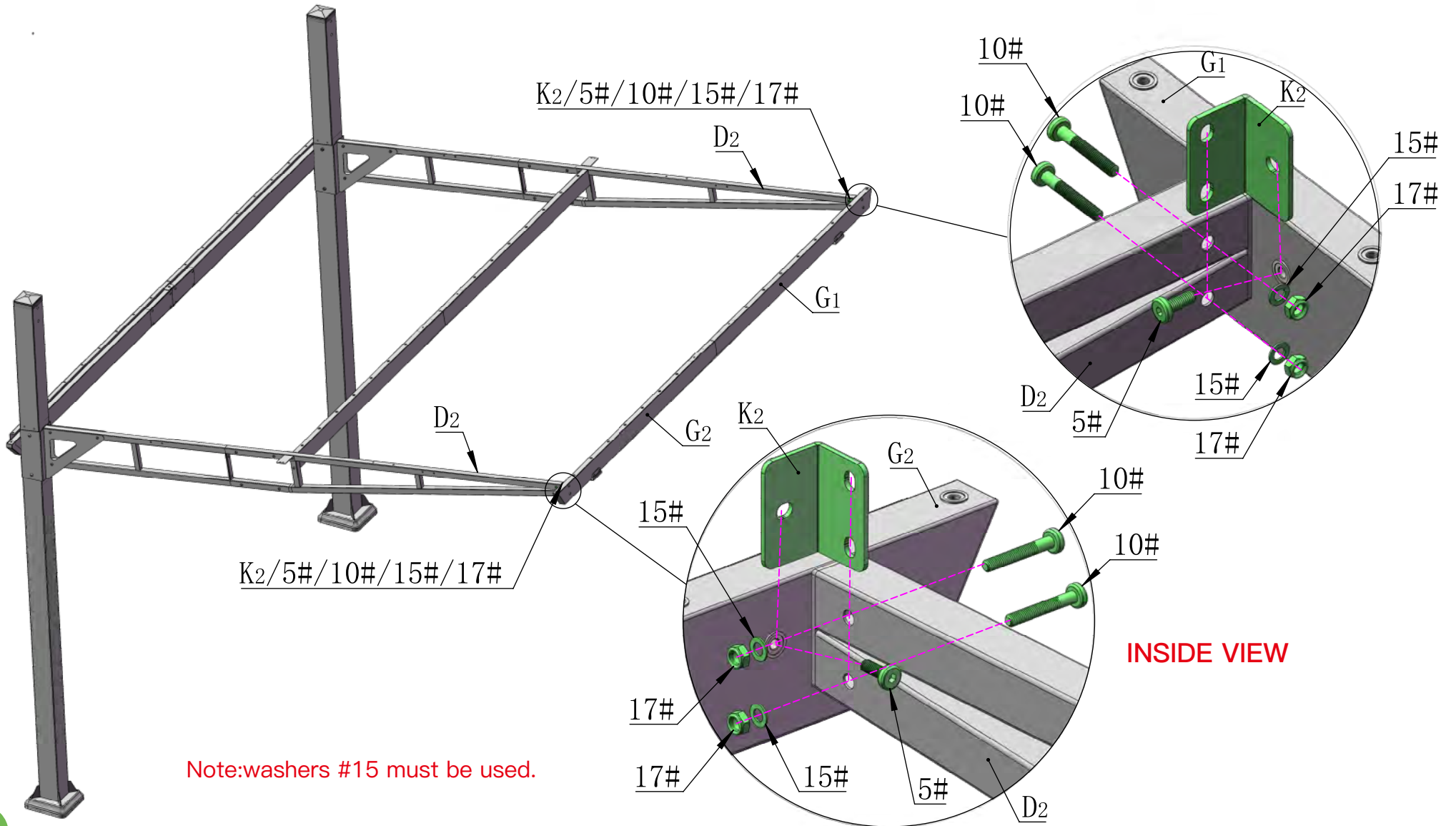
S4

34# 1X

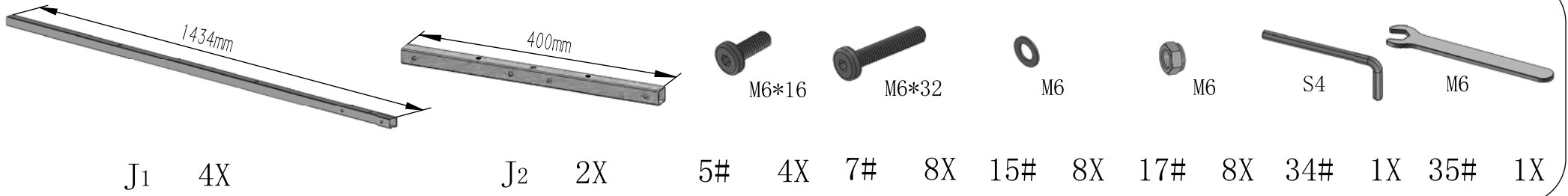


M6

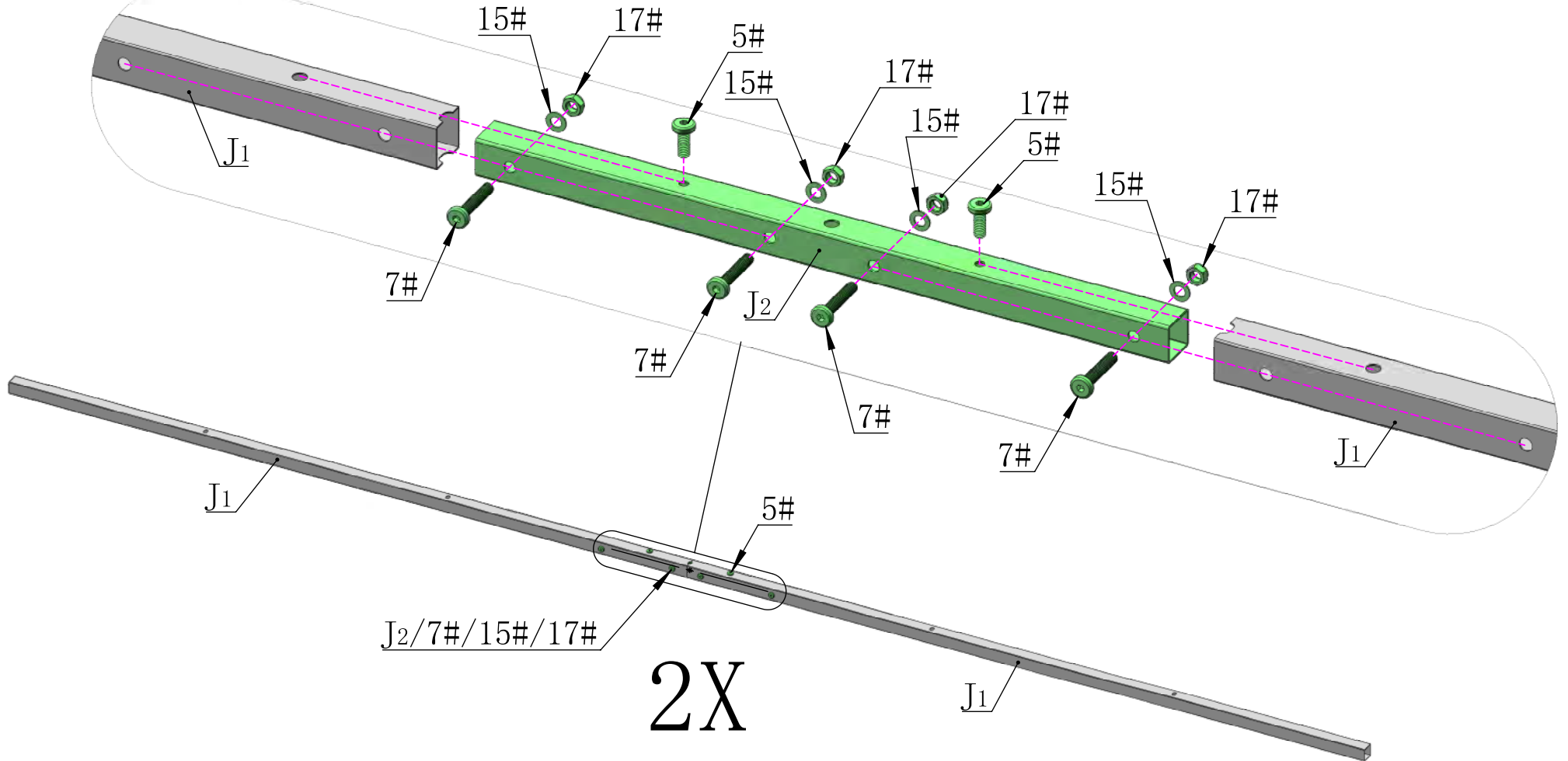
35# 1X

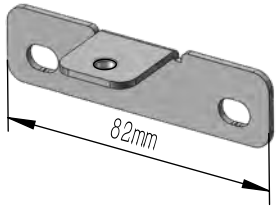


Note:washers #15 must be used.



## Solidifying Bar Assembly





J3 4X



M6\*16

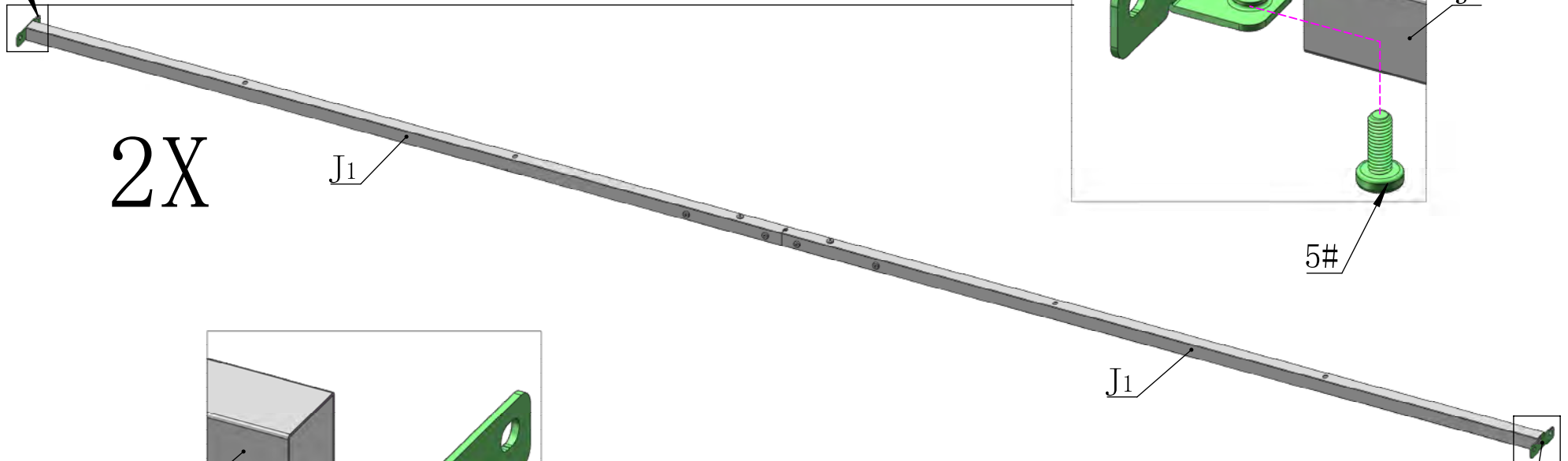
5# 4X



S4

34# 1X

J3/5#

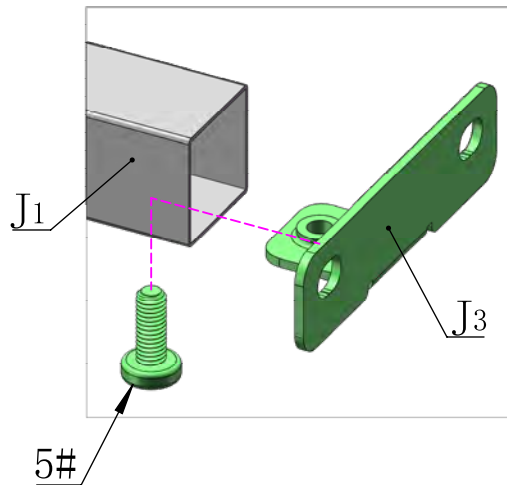
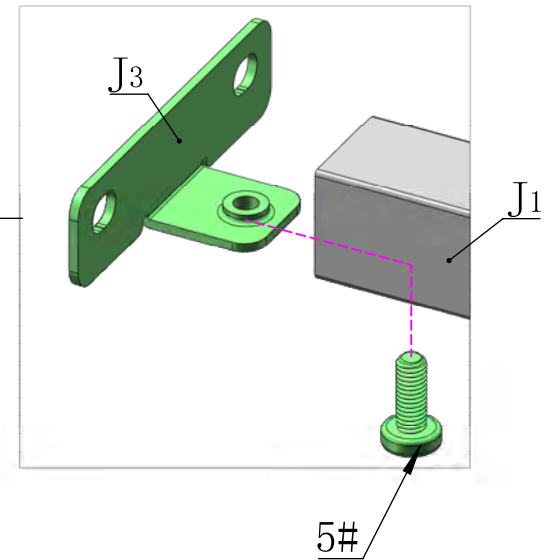


2X

J1

J1

J3/5#



Note: The installation direction of part #J3.



M6\*40



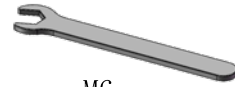
M6



M6



S4



M6

10#

8X

15#

8X

17#

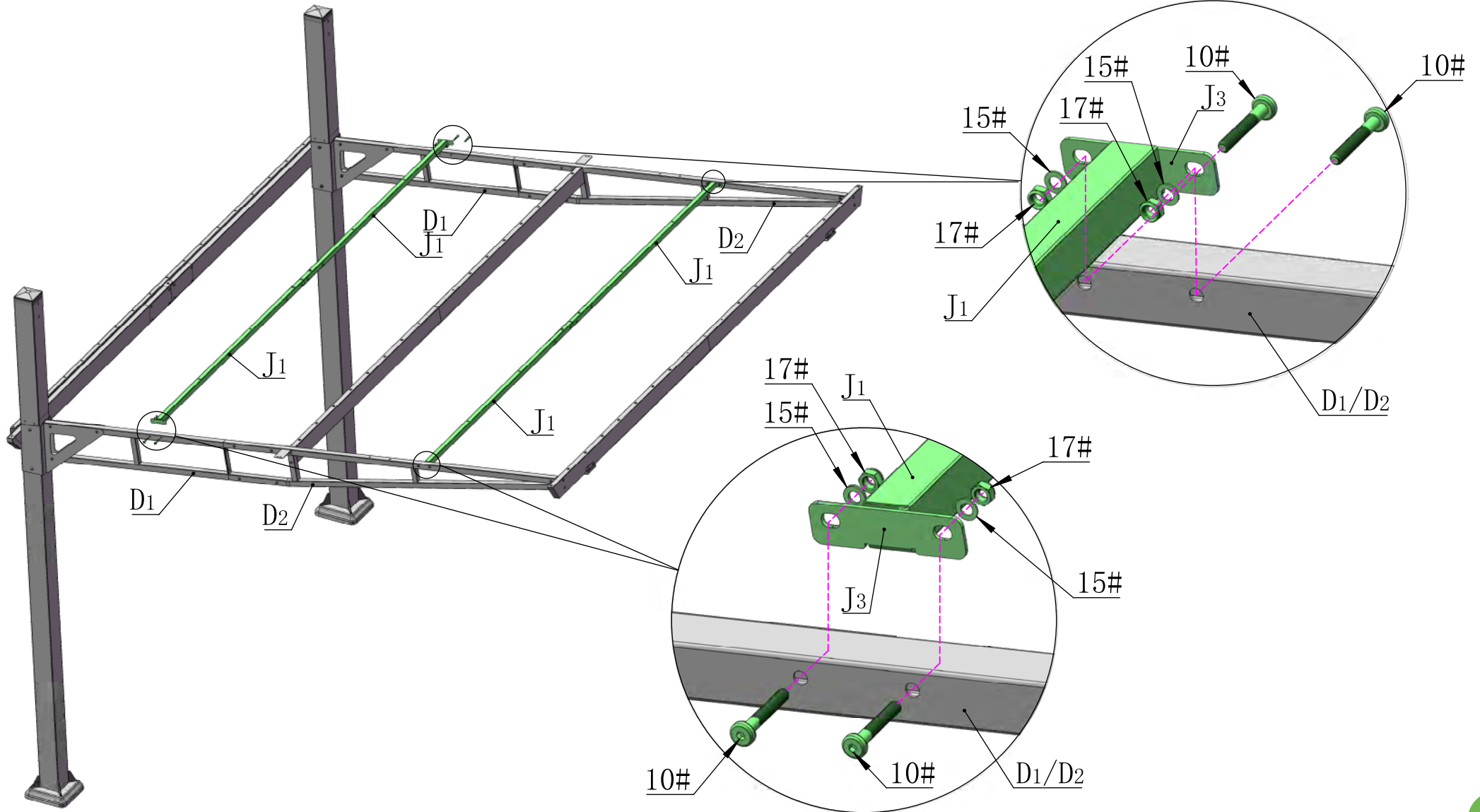
8X

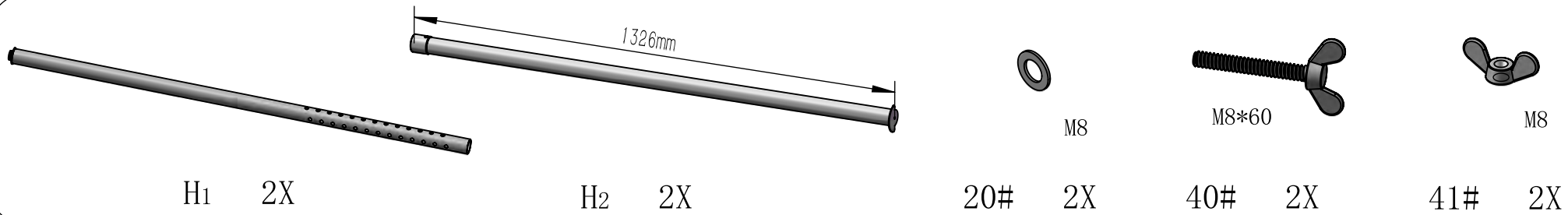
34#

1X

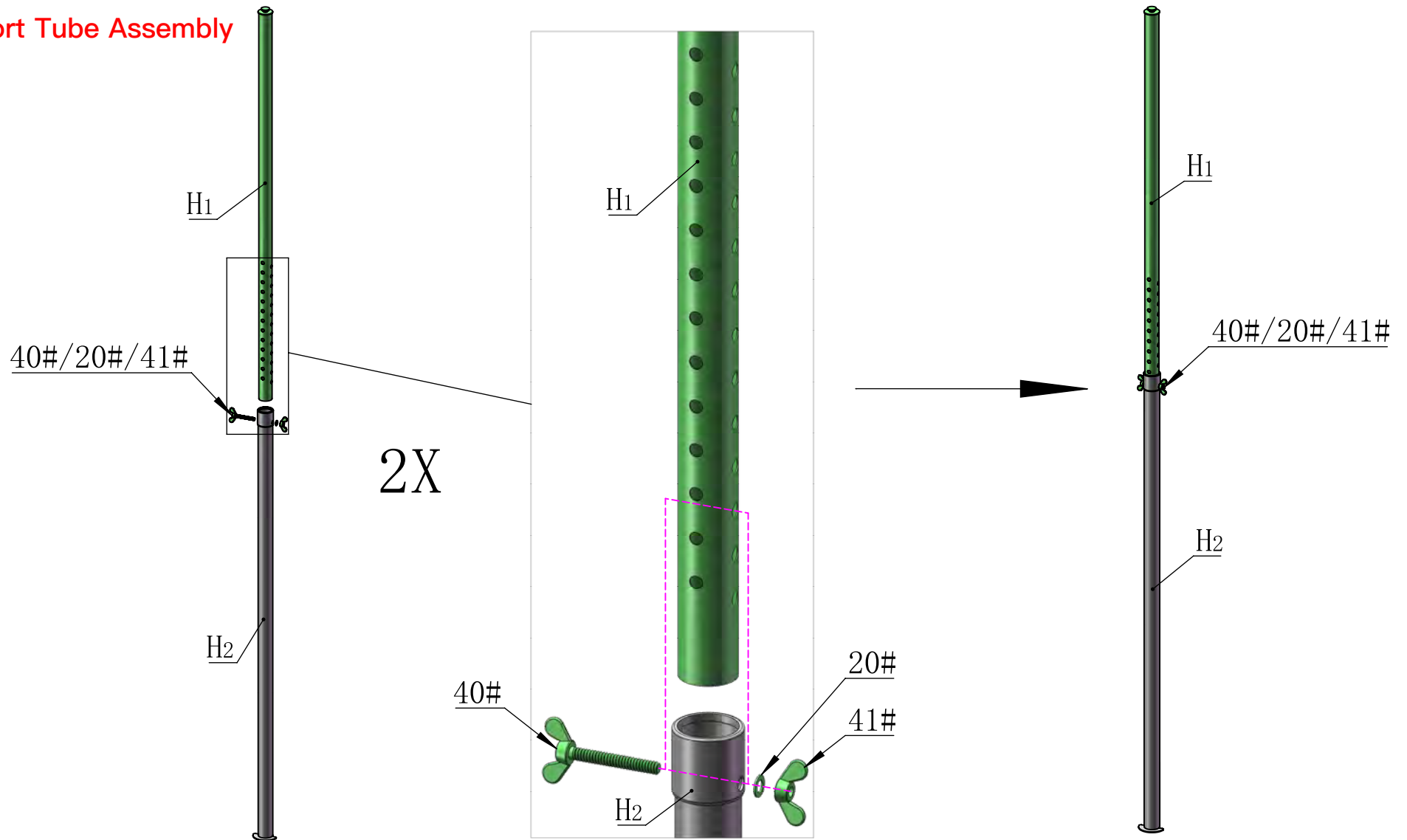
35#

1X





**Support Tube Assembly**





G4 2X



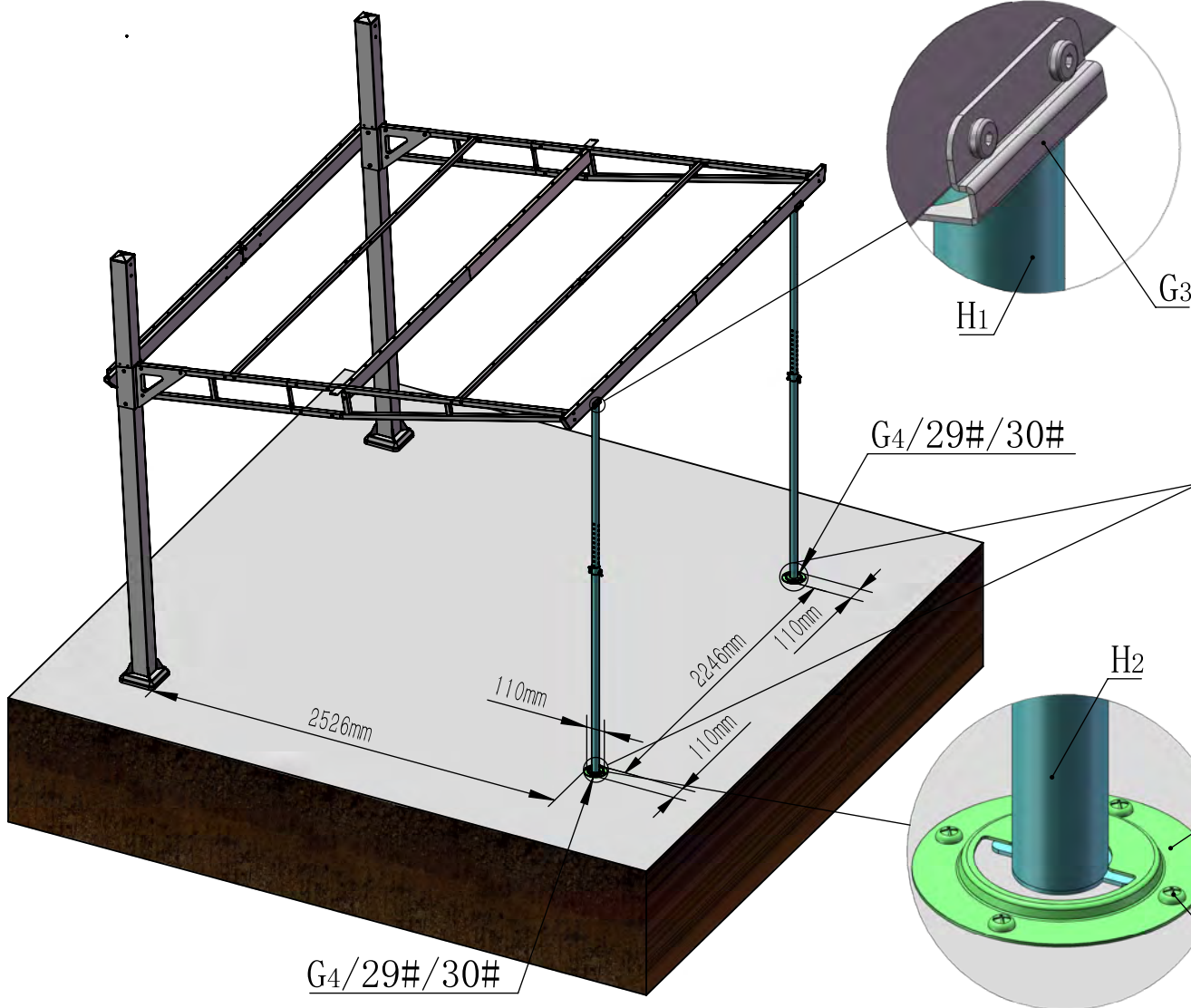
6\*70

29# 8X

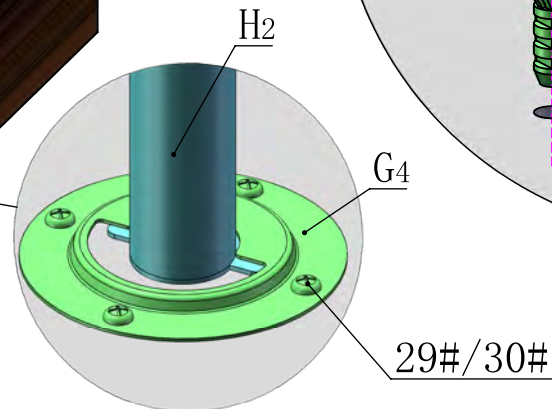
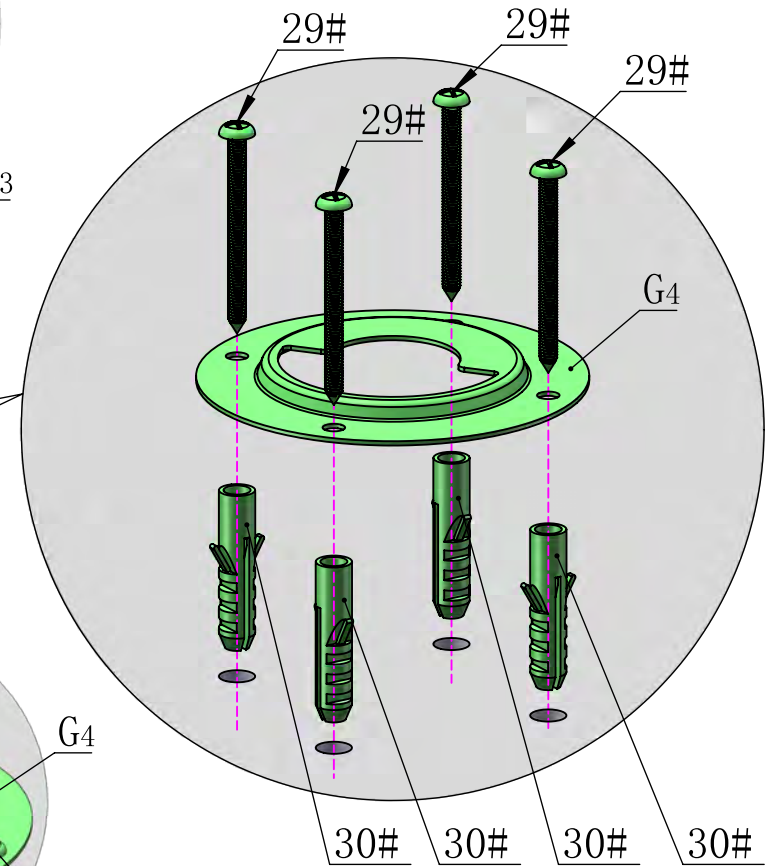


30# 8X

Note: The expansion screws in the picture are mainly used for fixing on concrete ground. In this scenario, fixing holes need to be drilled in the ground. If it is grassland, you need to dig holes and make concrete in-ground base to assemble the support tube bases.



You can first install the 2 front support tubes to determine the position of the bases #G4. See the next page.

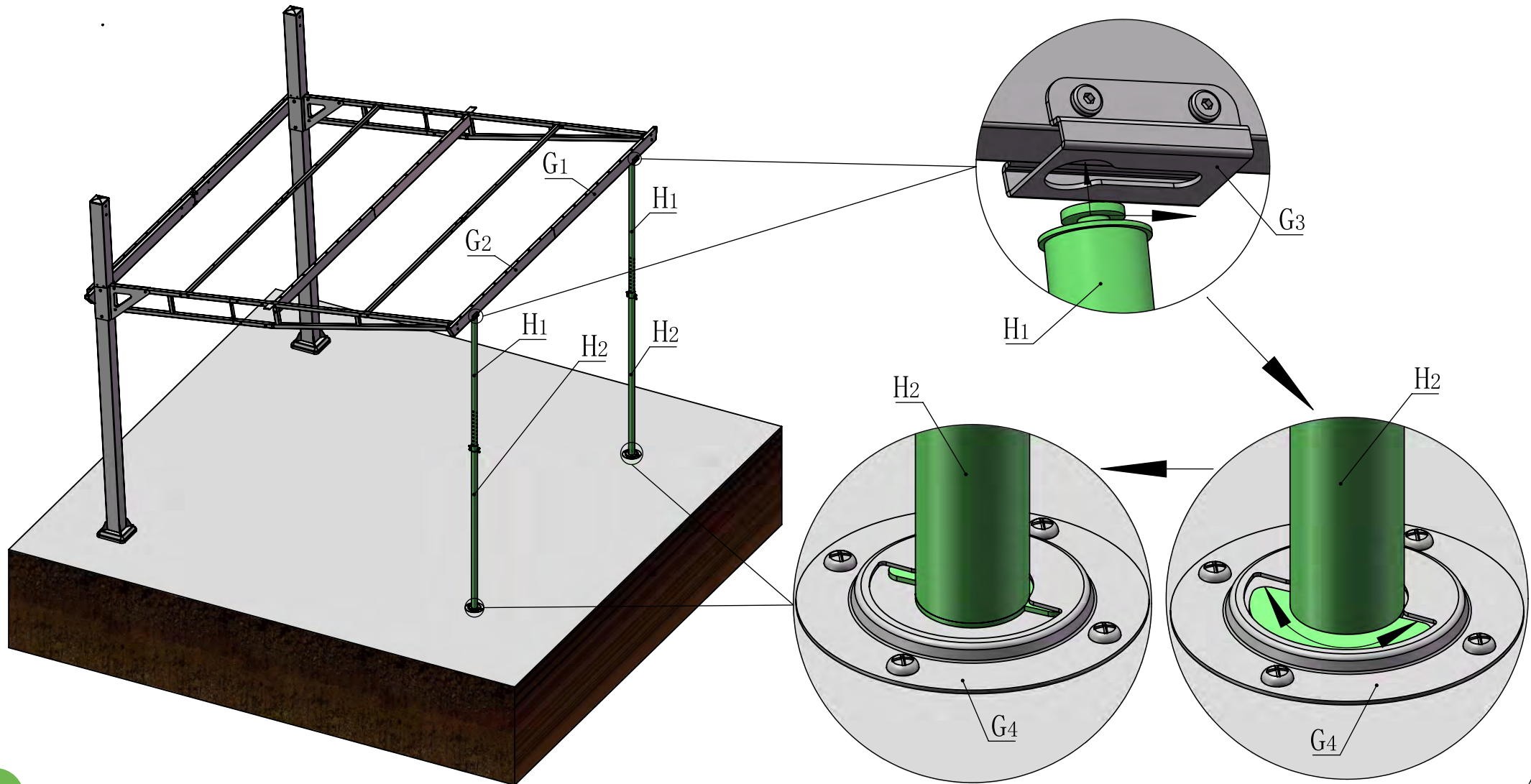


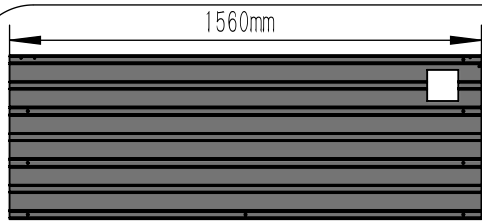
Assemble the front support tubes.

Step 1: Insert the top of the front support tube into the circular opening of #G3, then slide it inward to secure the top part of the tube.

Step 2: Align the semicircular base at the bottom of the tube exactly with the semicircular opening of #G4.

Step 3: Rotate the tube to snap the semicircular base at its bottom into #G4, completing the fixation of the support tube.



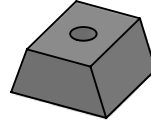


L1 1X



M6\*30

6# 2X



24# 2X



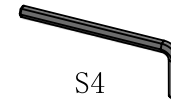
M6

25# 2X



D12/d6.5\*H2

26# 2X



S4

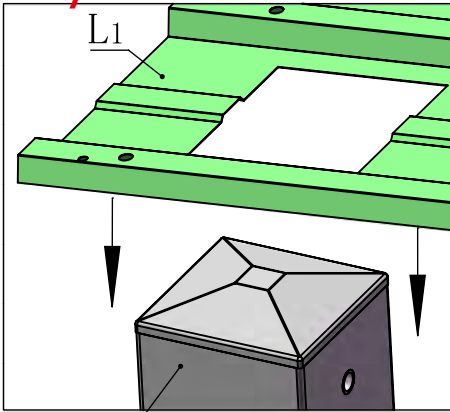
34# 1X



M8

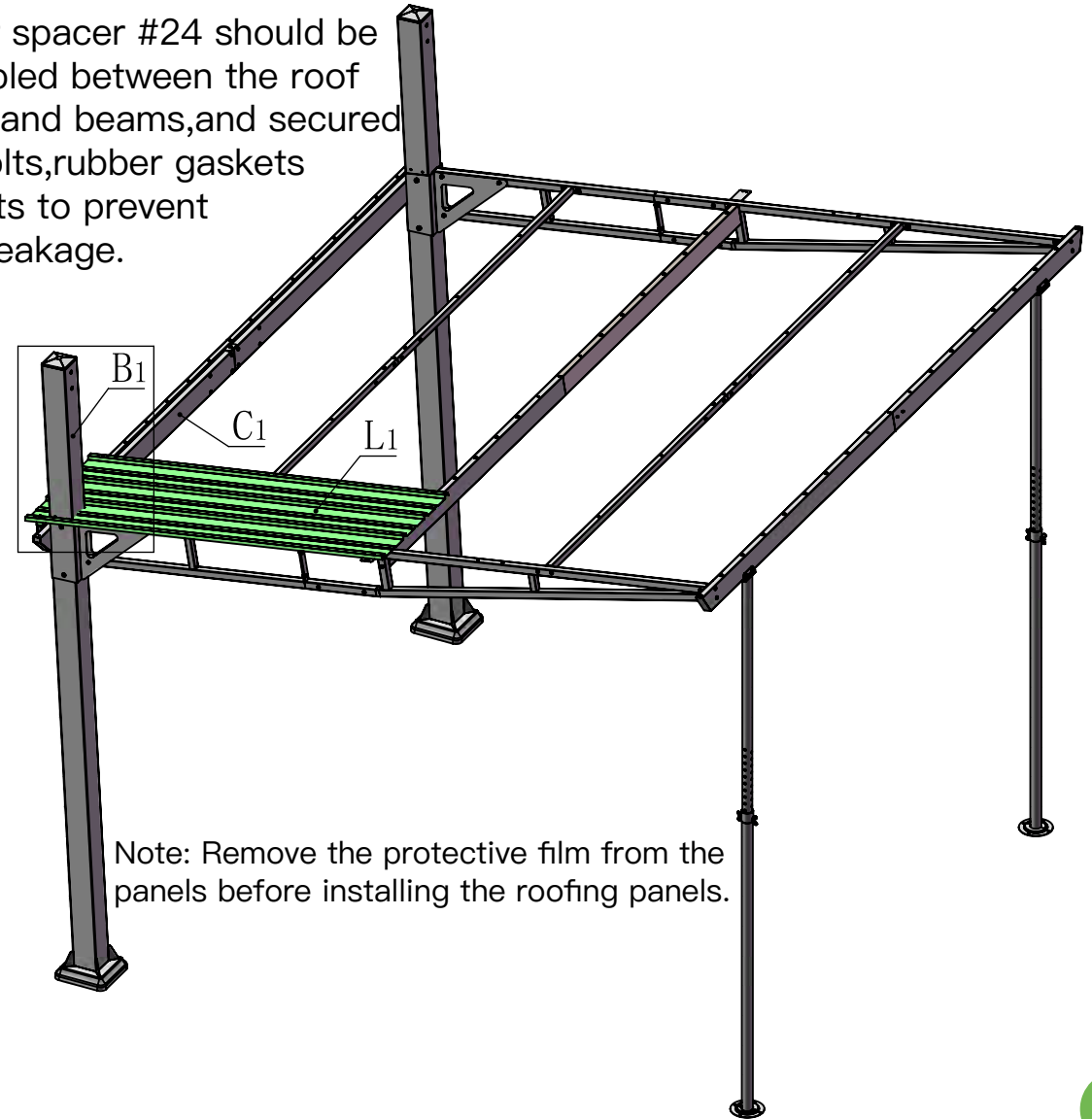
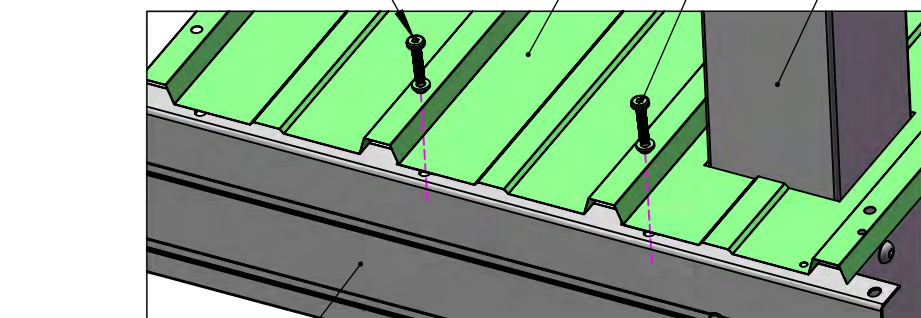
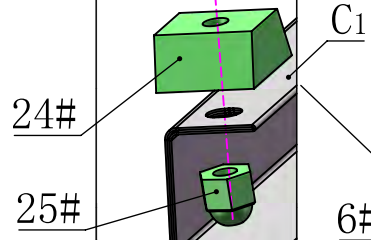
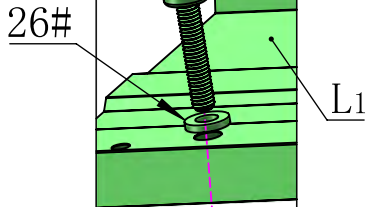
37# 1X

## Roof Panel Assembly

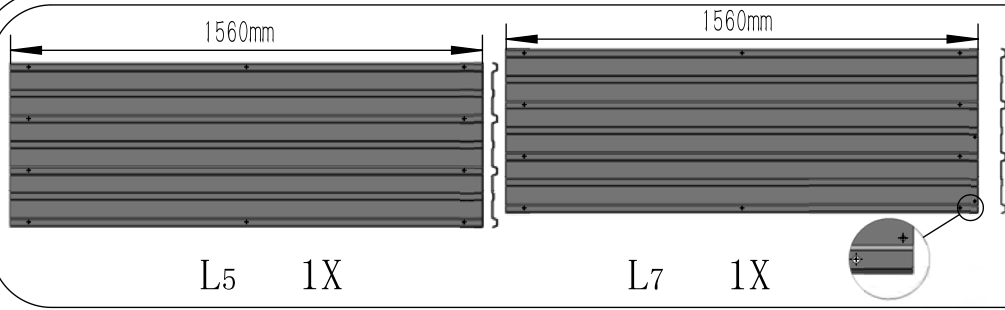


Rubber spacer #24 should be assembled between the roof panels and beams, and secured with bolts, rubber gaskets and nuts to prevent water leakage.

6# 2X

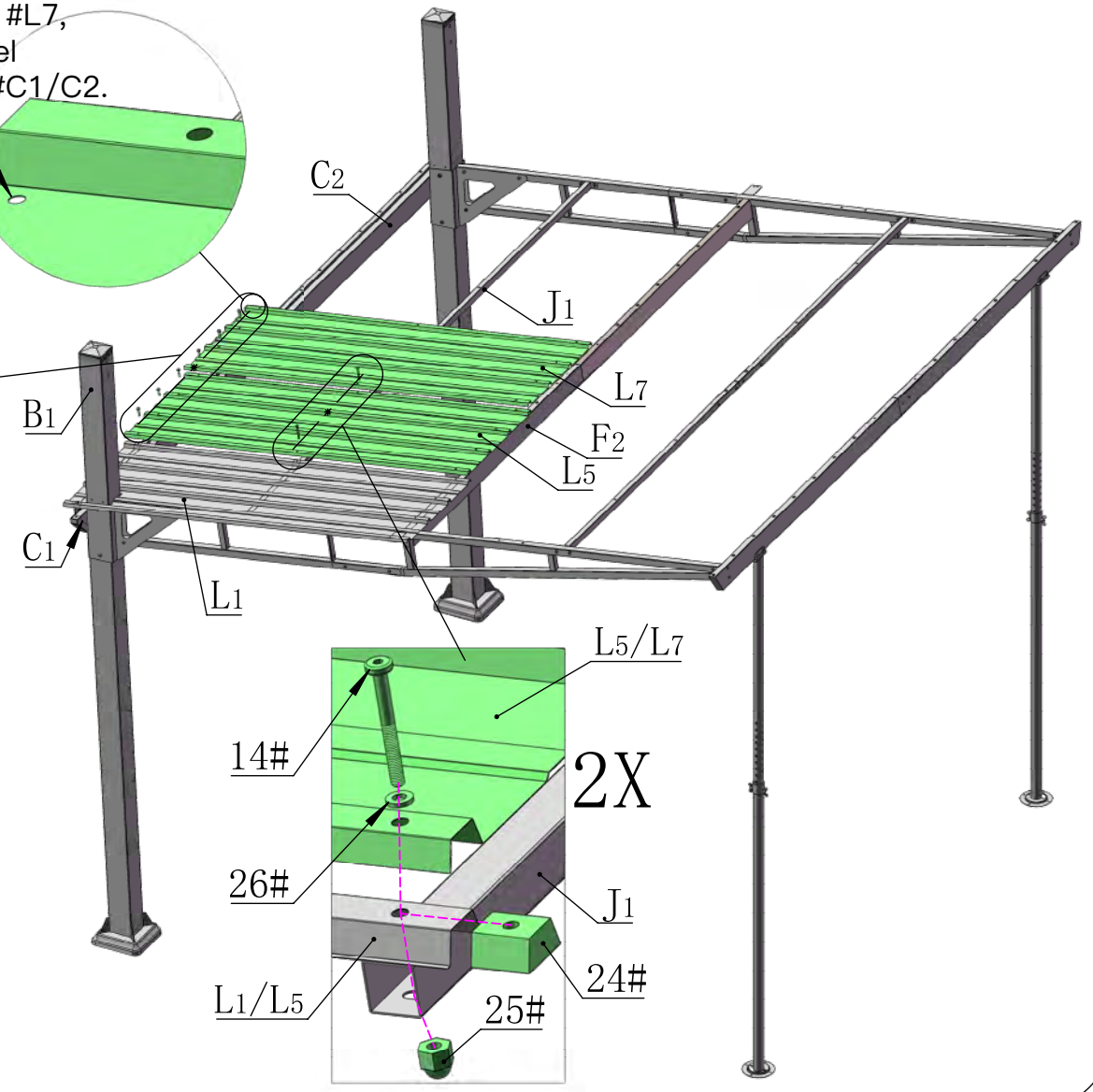
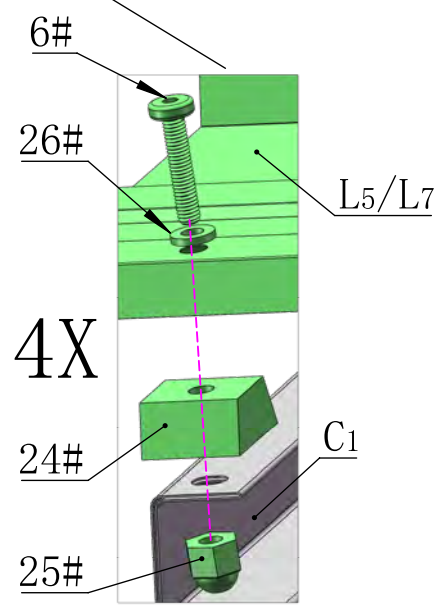
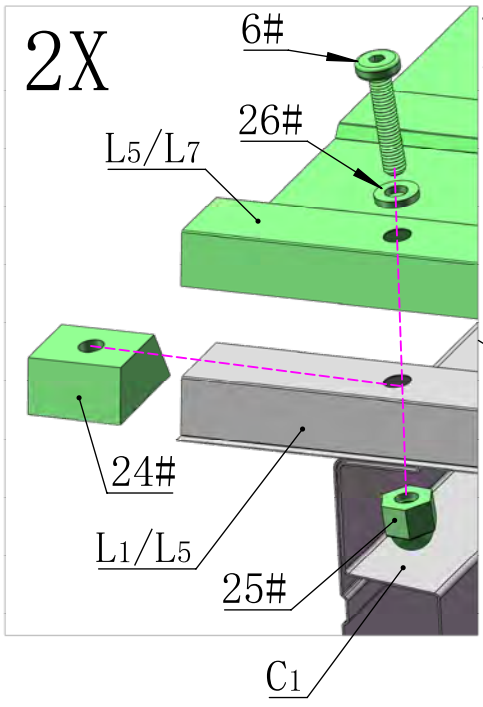


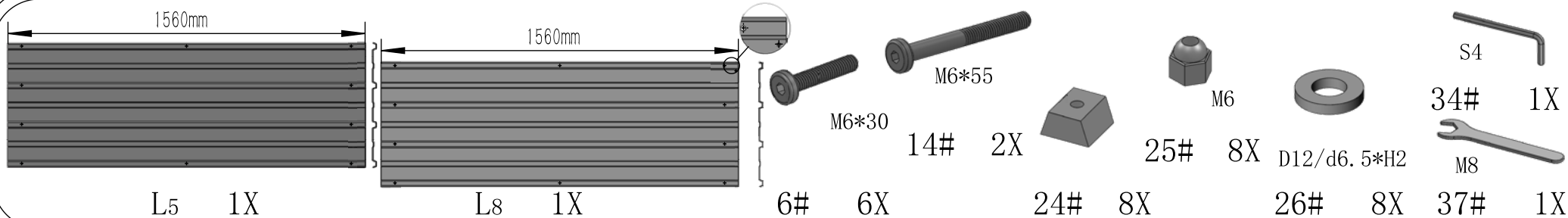
Note: Remove the protective film from the panels before installing the roofing panels.



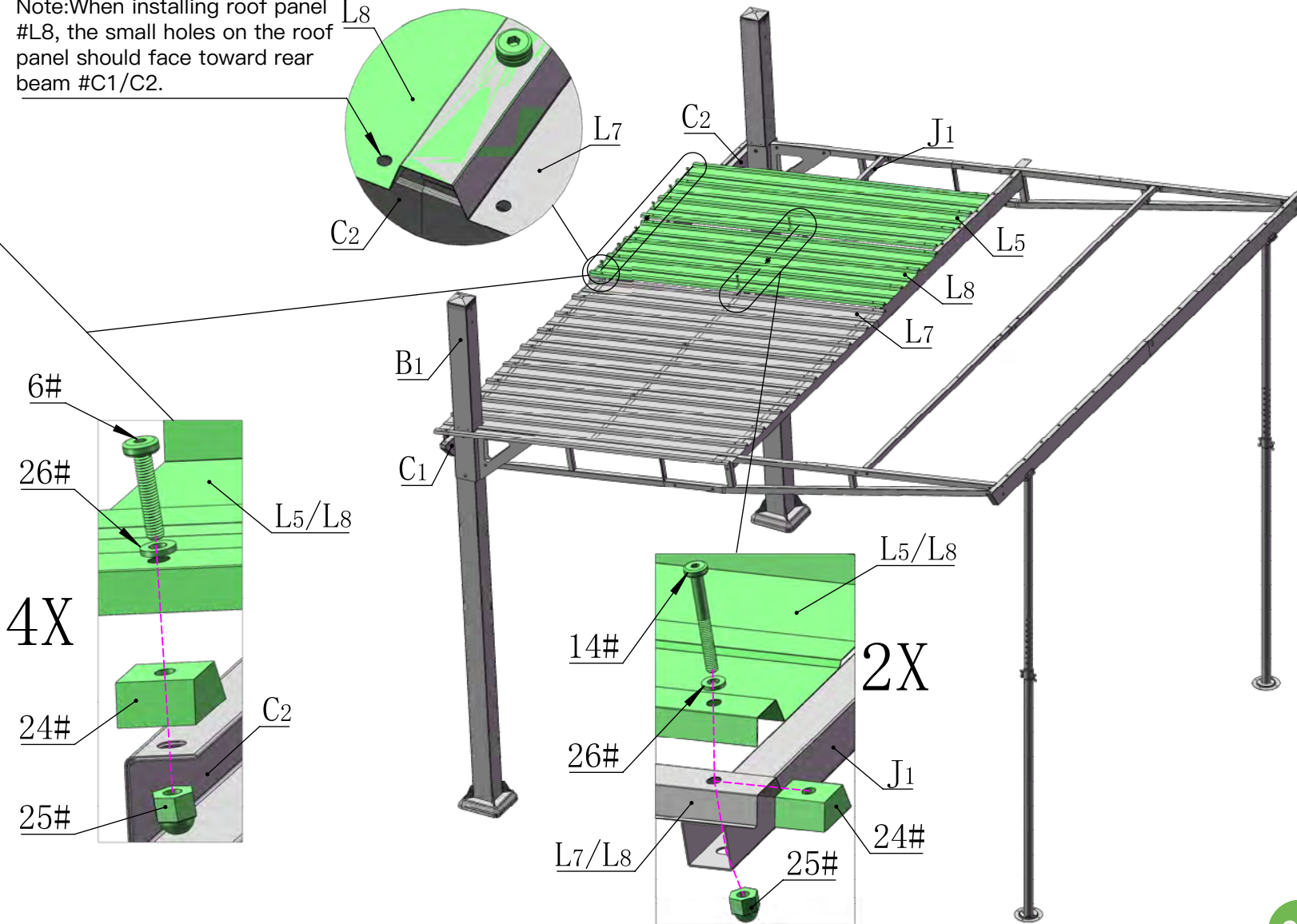
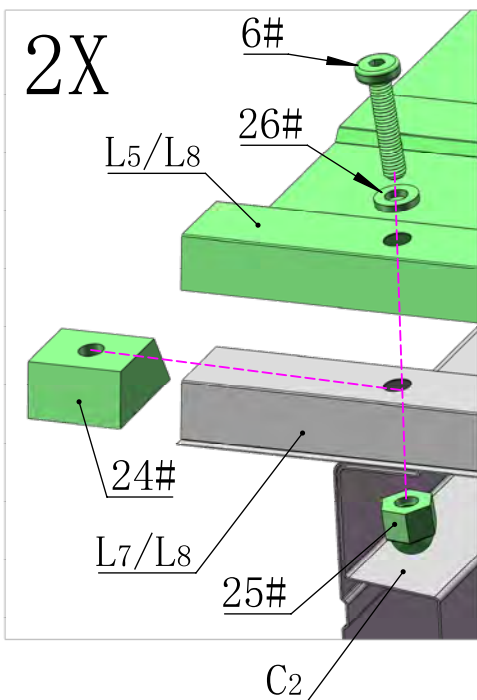
- M6\*30 14# 2X
- M6\*55 6# 6X
- 24# 8X
- 25# 8X
- D12/d6. 5\*H2 26# 8X
- M6 34# 1X
- S4 1X
- M8 37# 1X

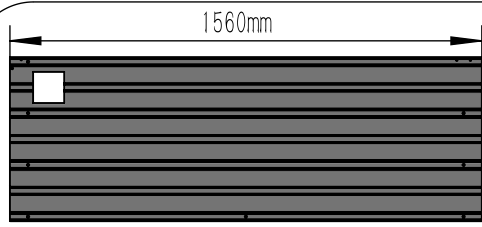
Note: When installing roof panel #L7, the small holes on the roof panel should face toward rear beam #C1/C2.





Note: When installing roof panel #L8, the small holes on the roof panel should face toward rear beam #C1/C2.





1560mm

L2

1X



M6\*30

6#

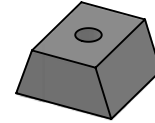
3X



M6\*55

14#

1X



24#

4X



M6

25#

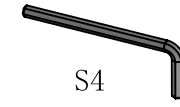
4X



D12/d6. 5\*H2

26#

4X



S4

34#

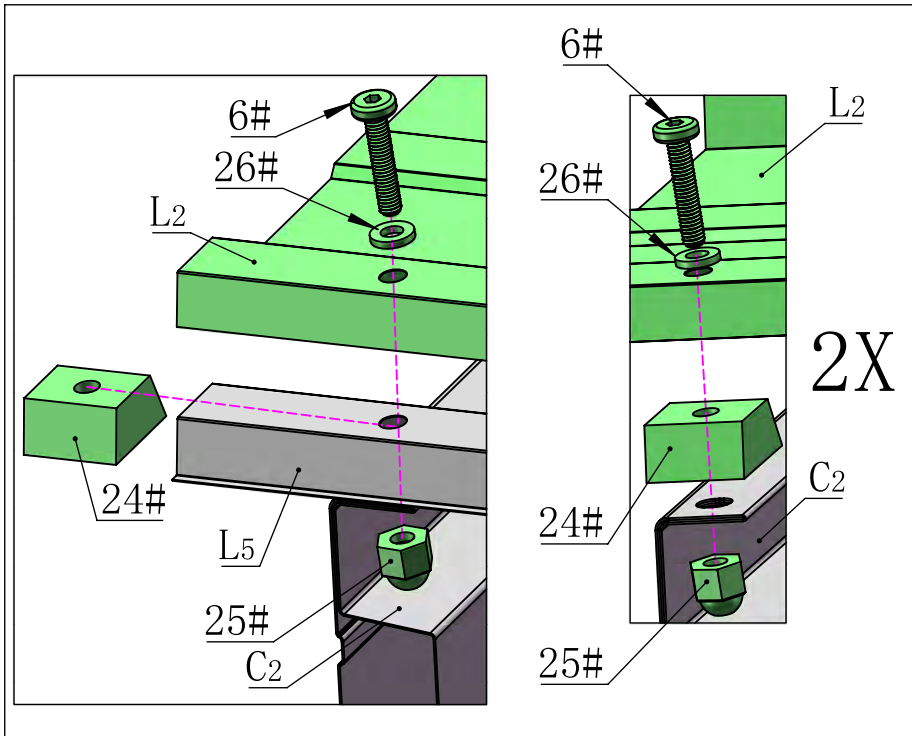
1X



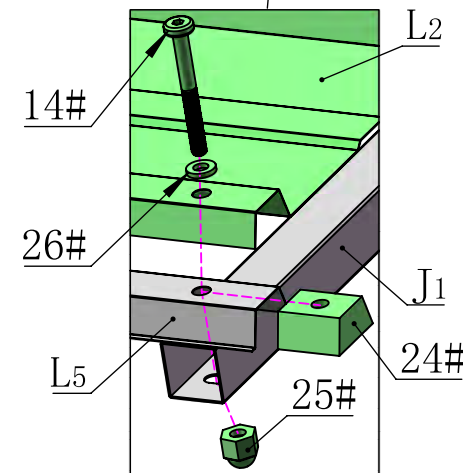
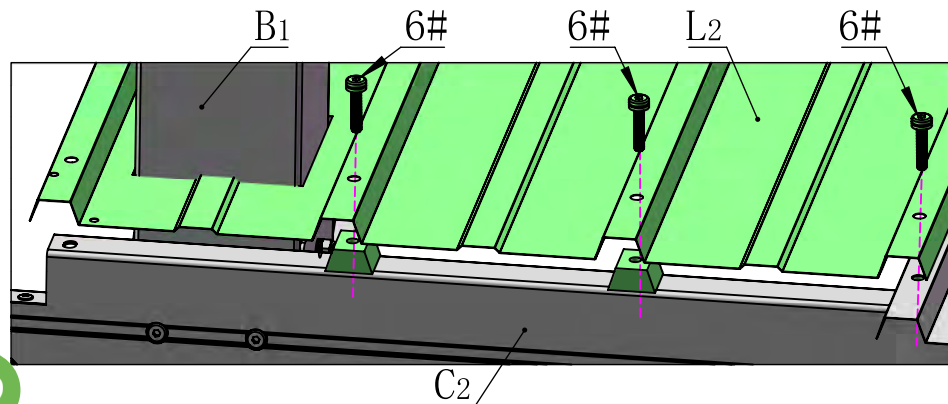
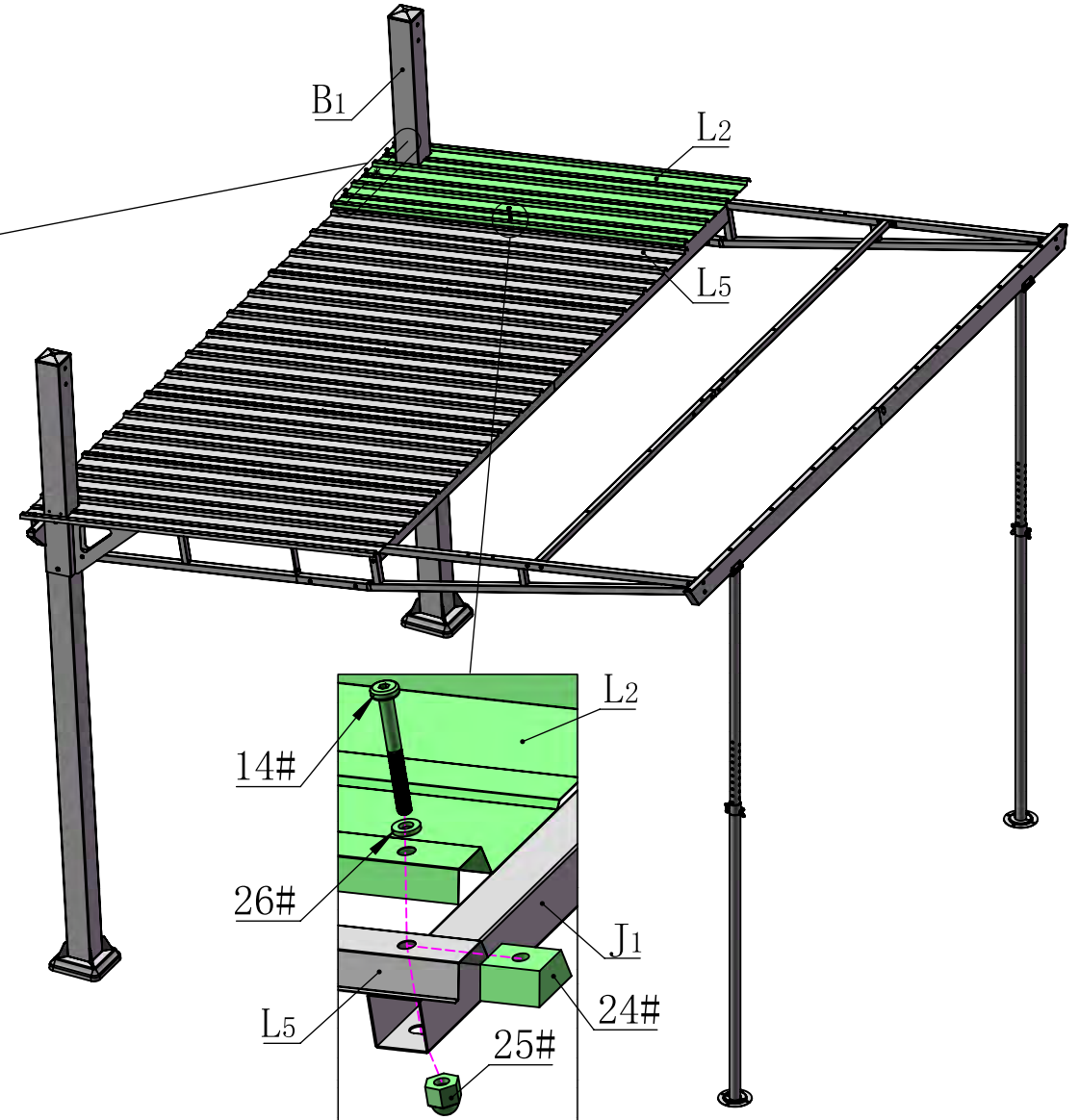
M8

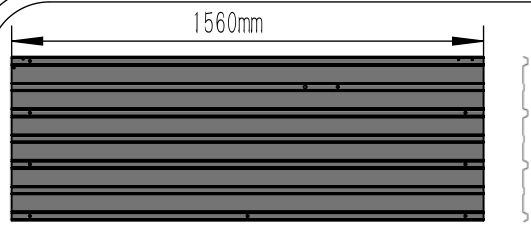
37#

1X



2X

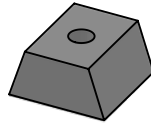




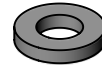
L3 1X



6# 4X

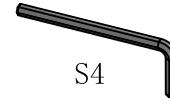


24# 4X



D12/d6.5\*H2

26# 4X

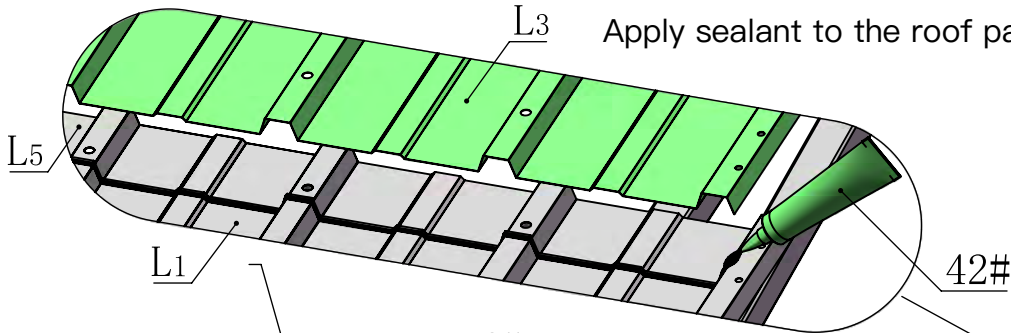


34# 1X

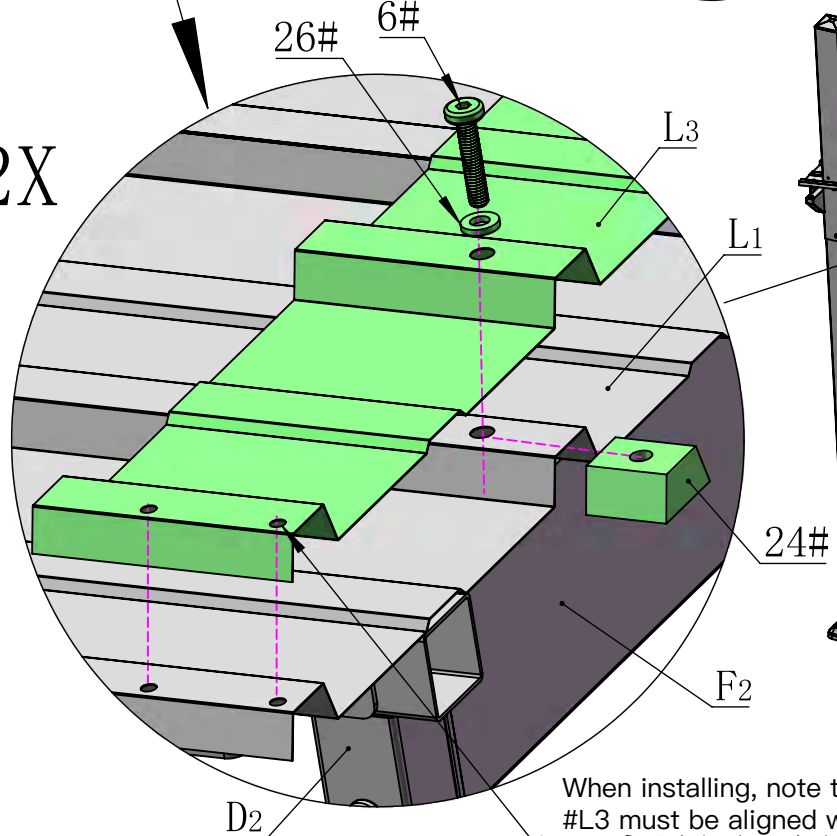


42# 1X

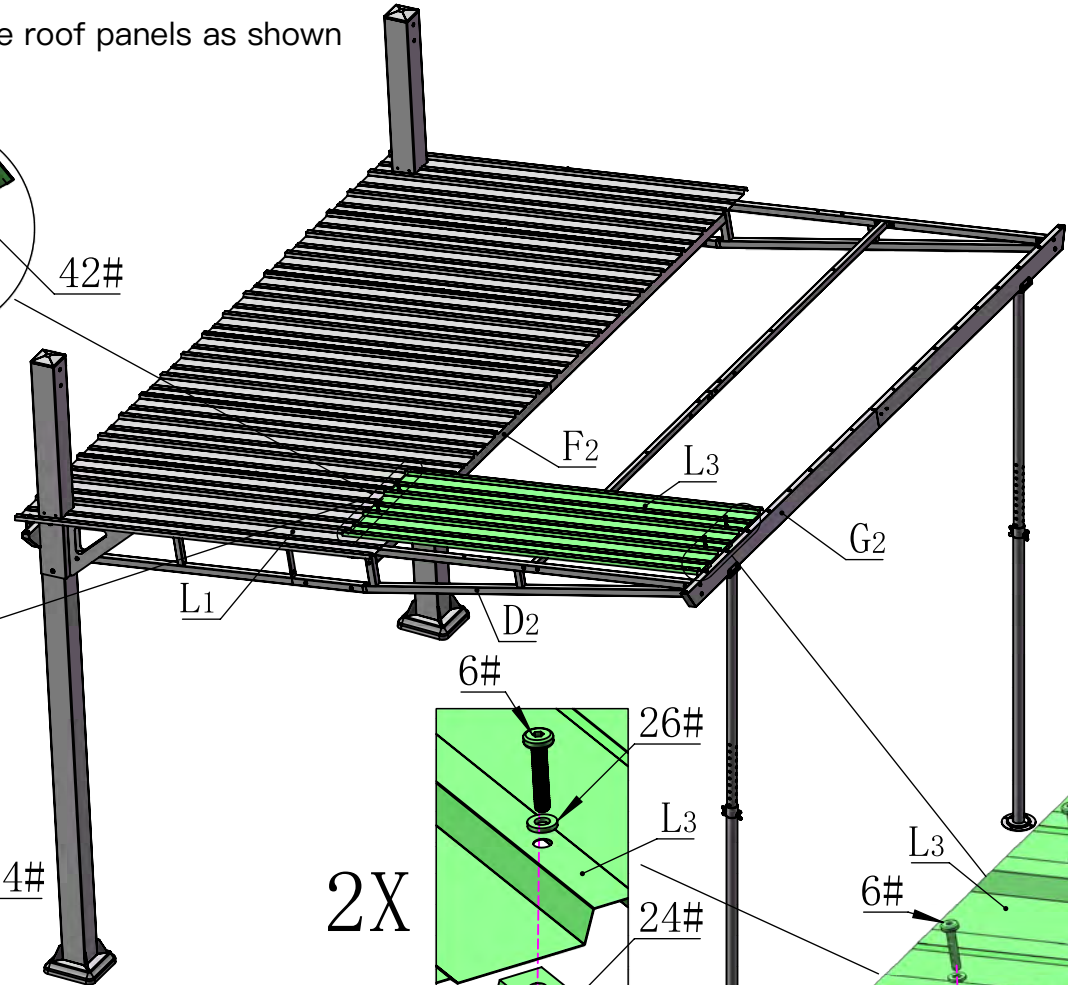
Apply sealant to the roof panels as shown



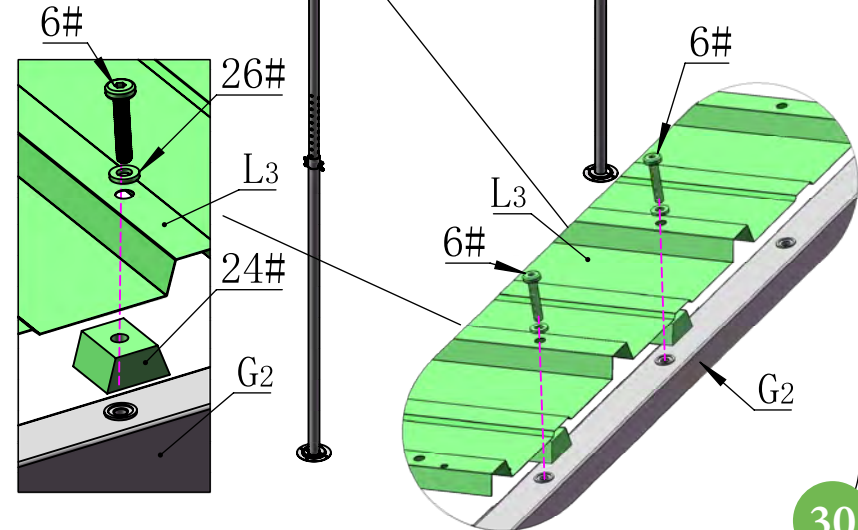
2X

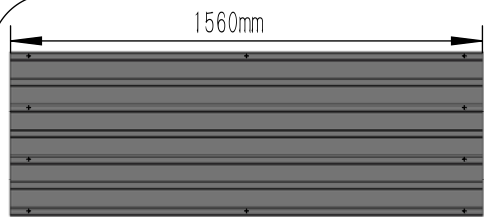


When installing, note that the two small holes on #L3 must be aligned with the small hole on #L1.

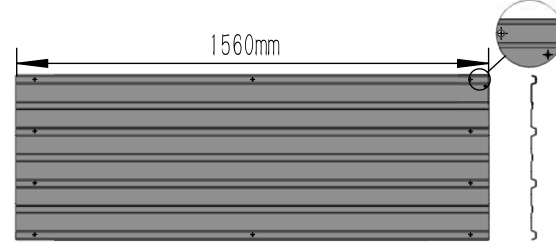


2X

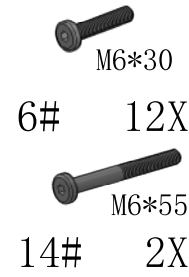




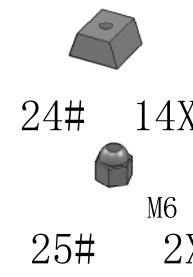
L5 1X



L8 1X



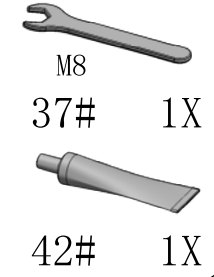
6# 12X  
14# 2X



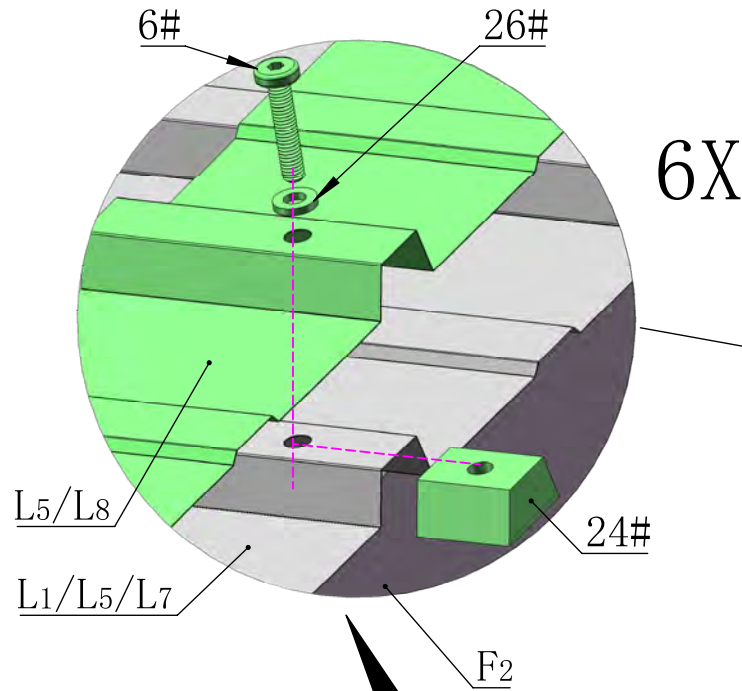
24# 14X  
25# 2X



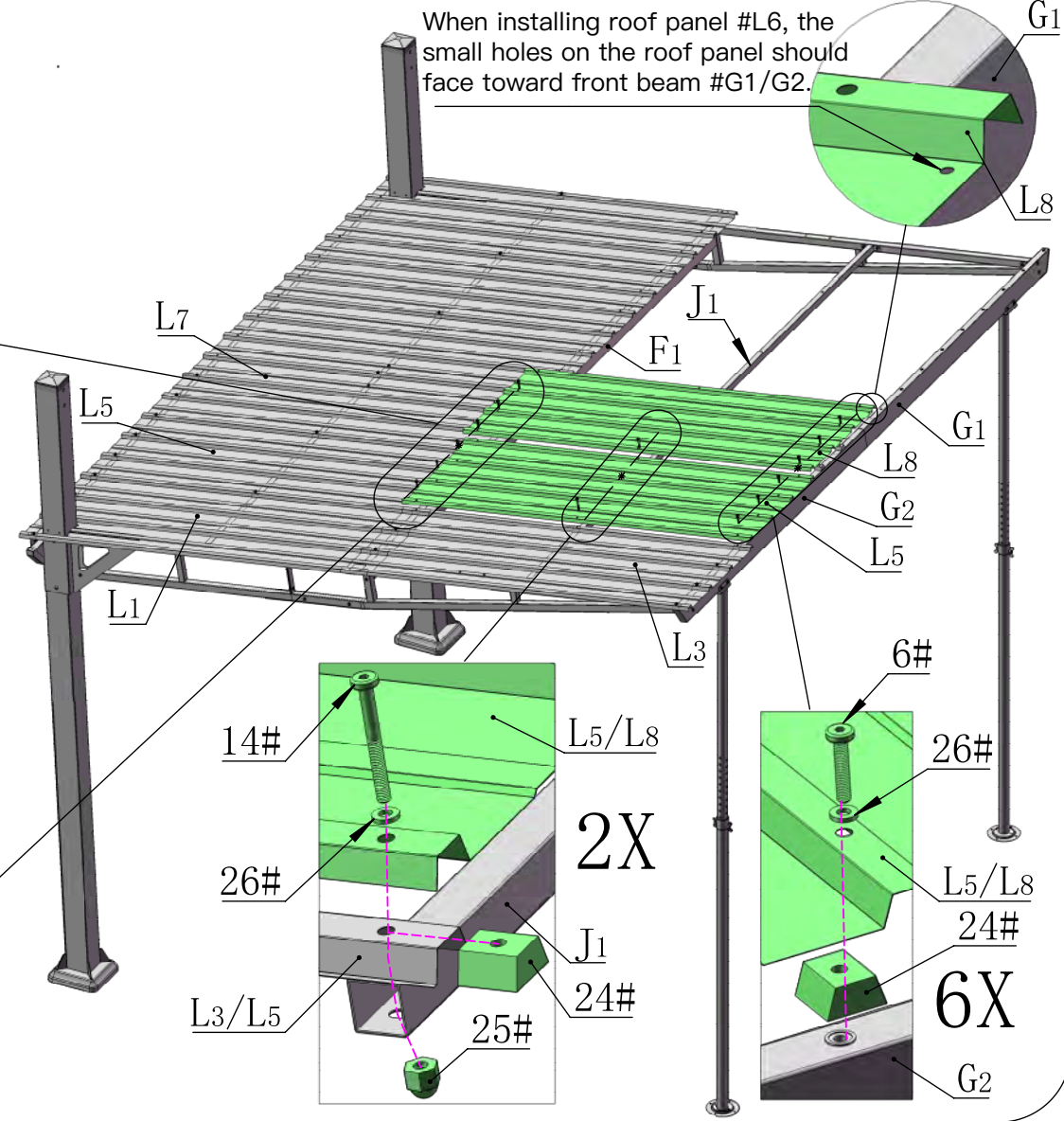
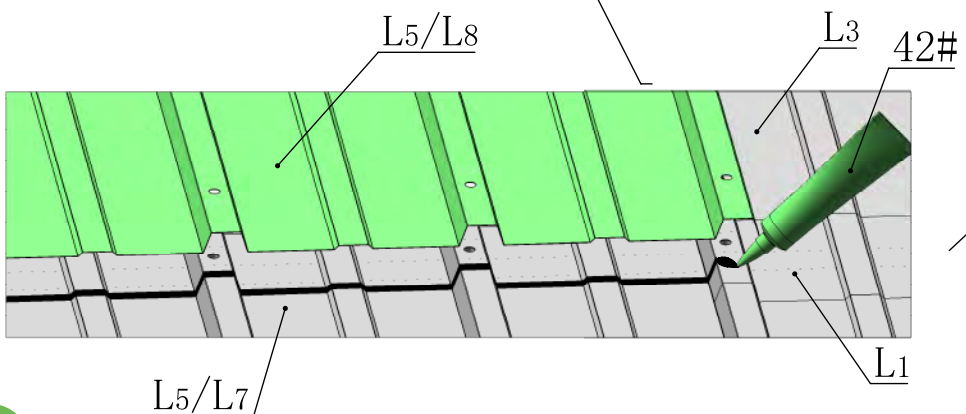
26# 14X  
34# 1X



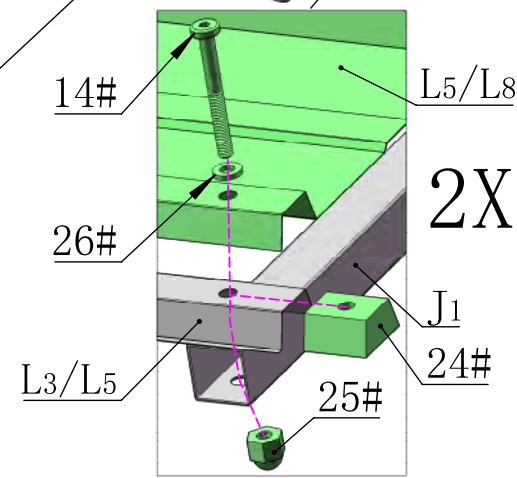
37# 1X  
42# 1X



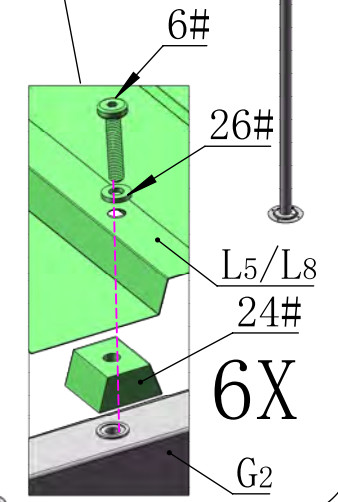
6X



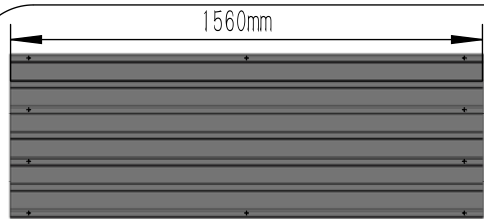
When installing roof panel #L6, the small holes on the roof panel should face toward front beam #G1/G2.



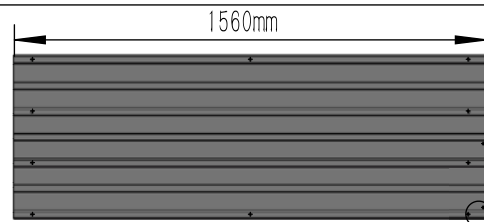
2X



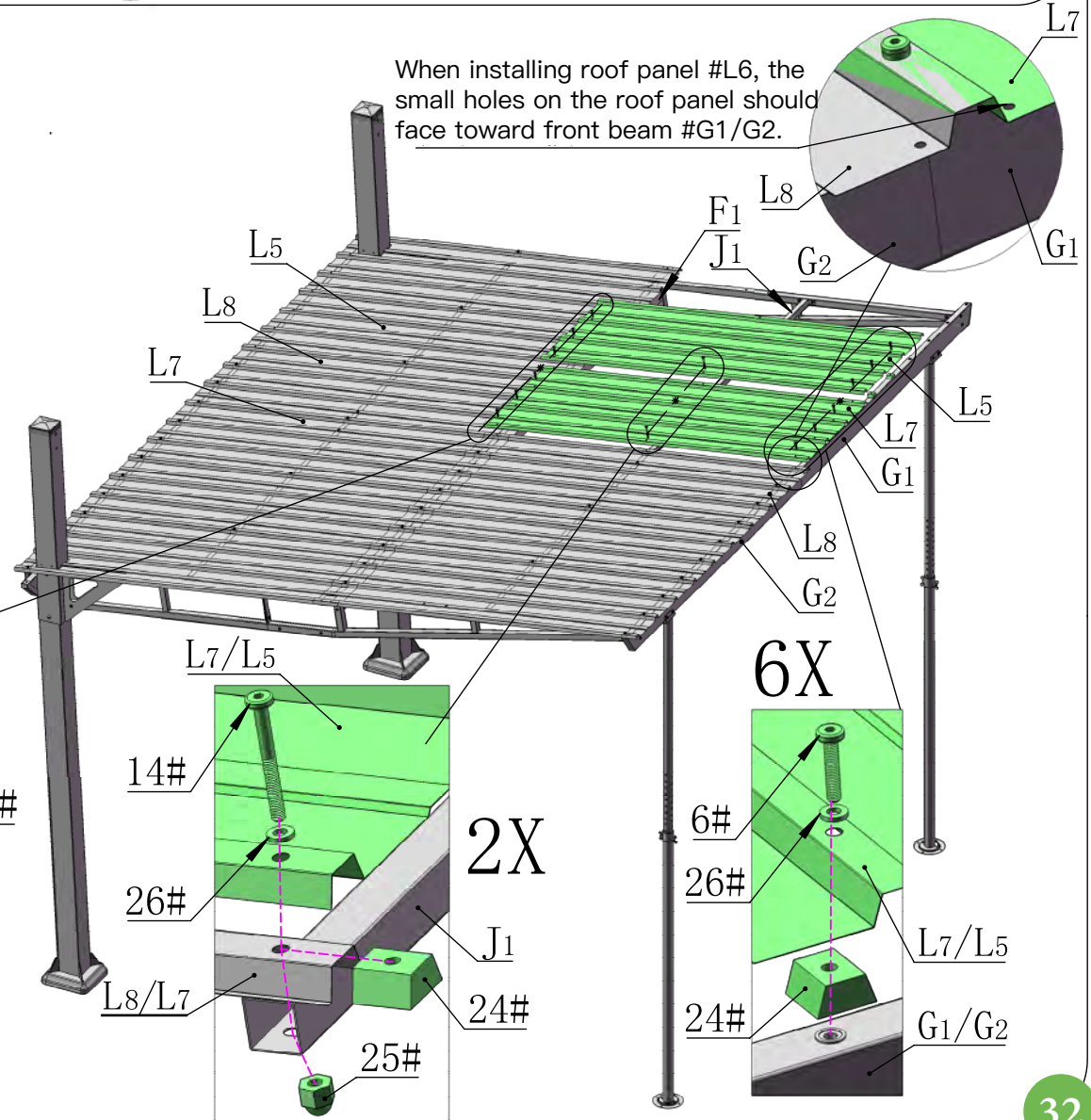
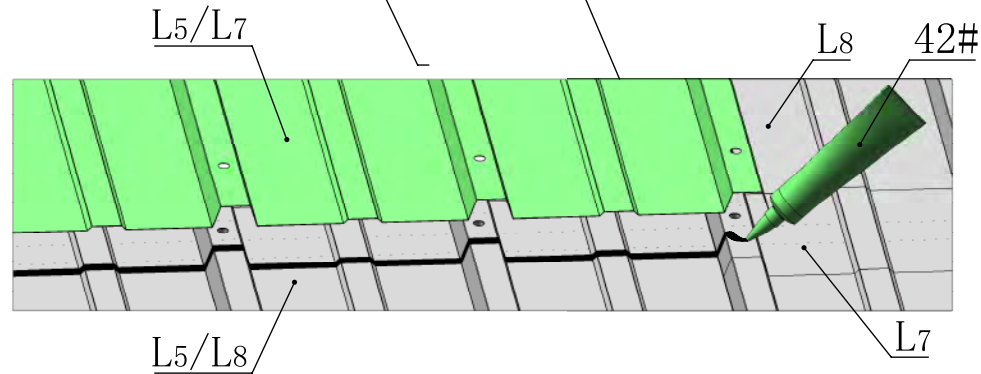
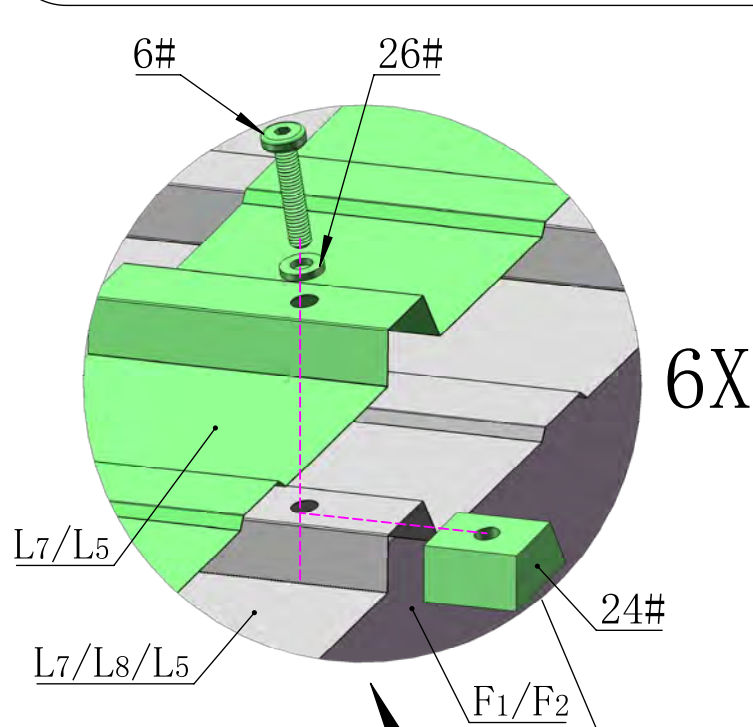
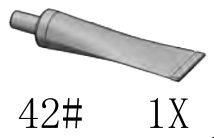
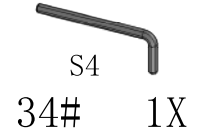
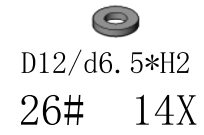
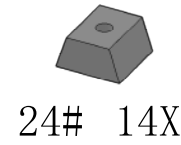
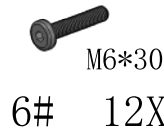
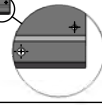
6X

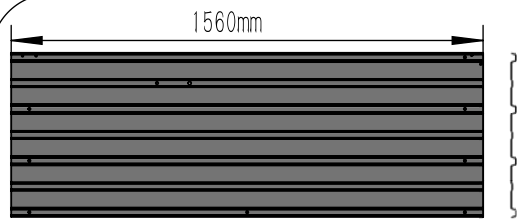


L5 1X



L7 1X

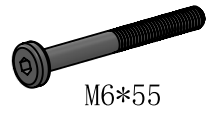




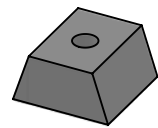
L4 1X



6# 6X



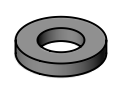
14# 1X



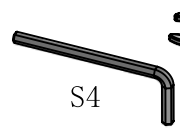
24# 7X



25# 1X



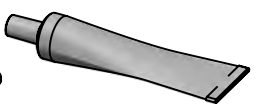
26# 7X



34# 1X

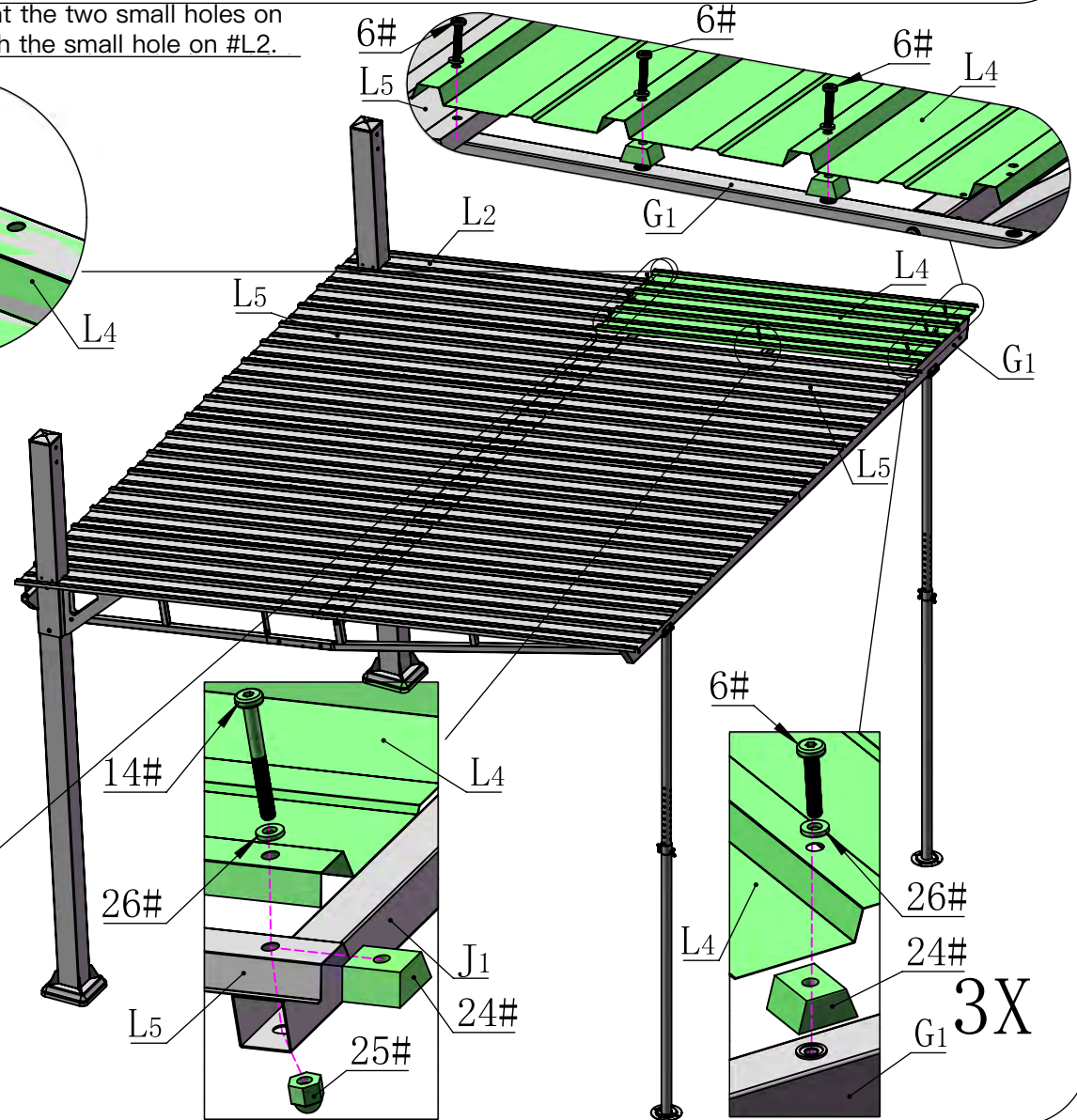
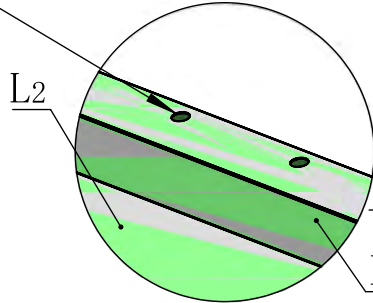
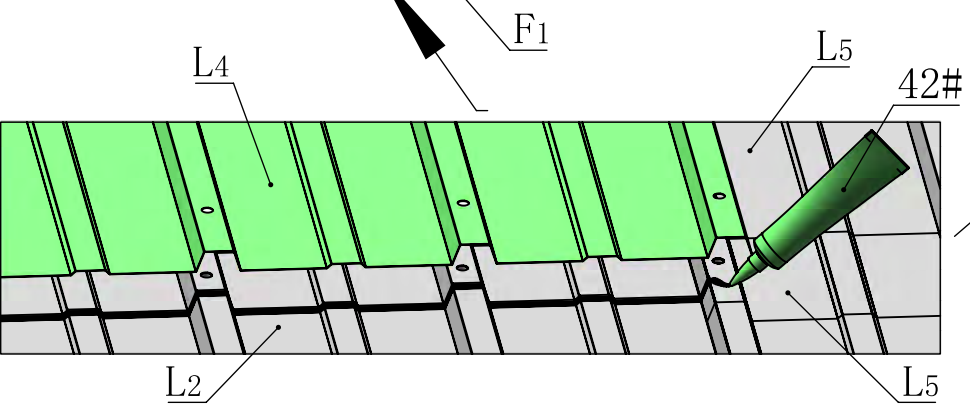
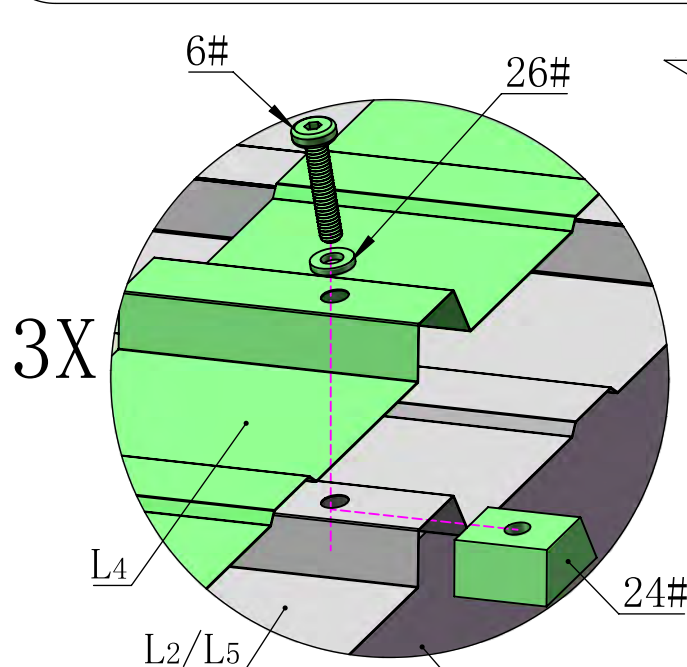


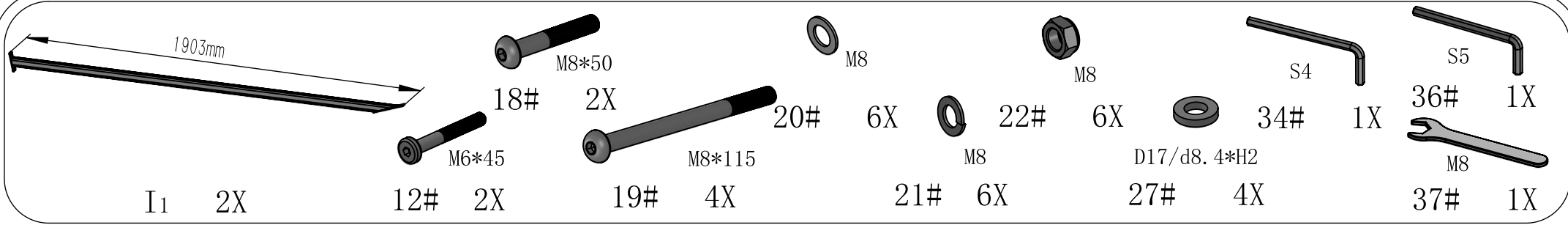
37# 1X



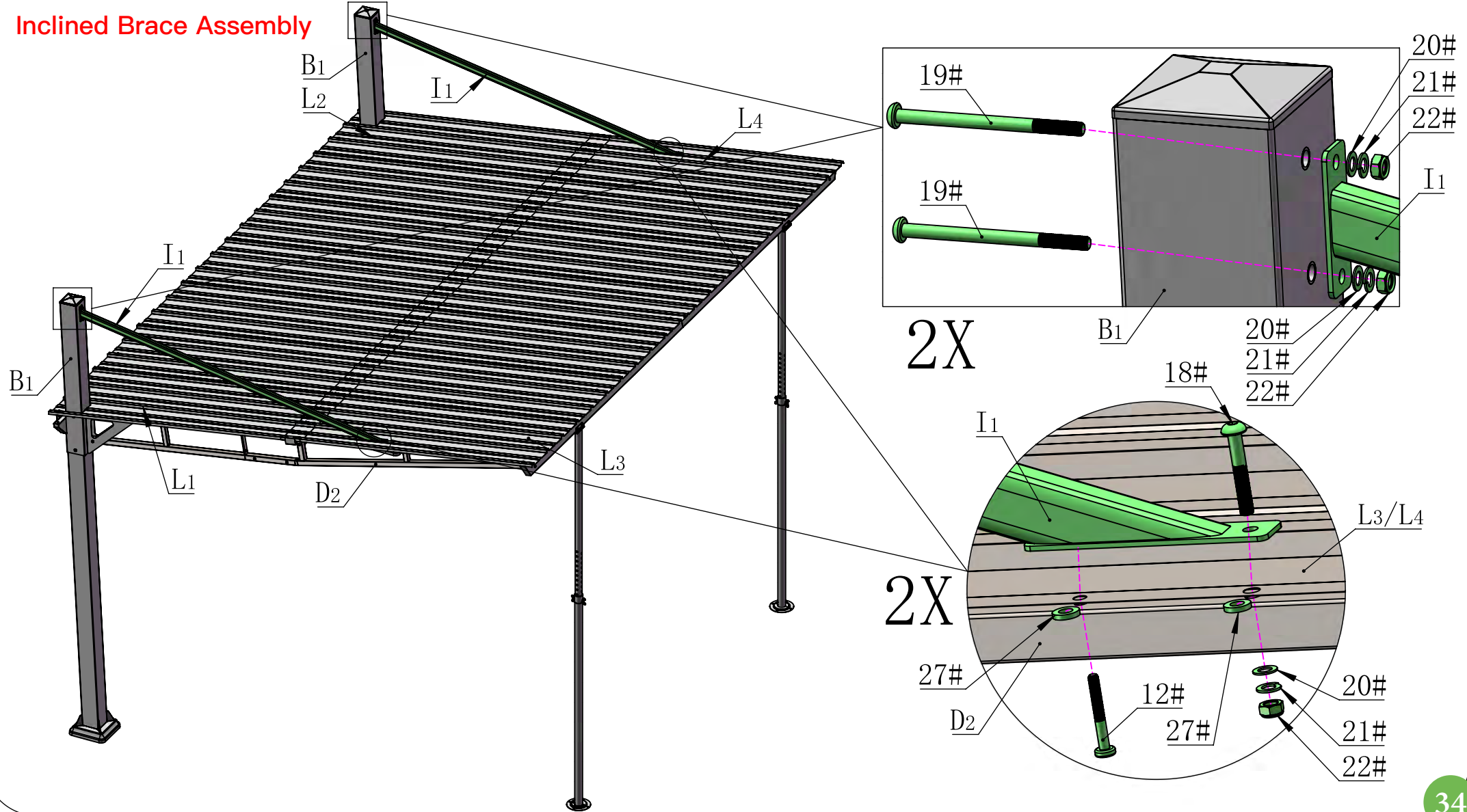
42# 1X

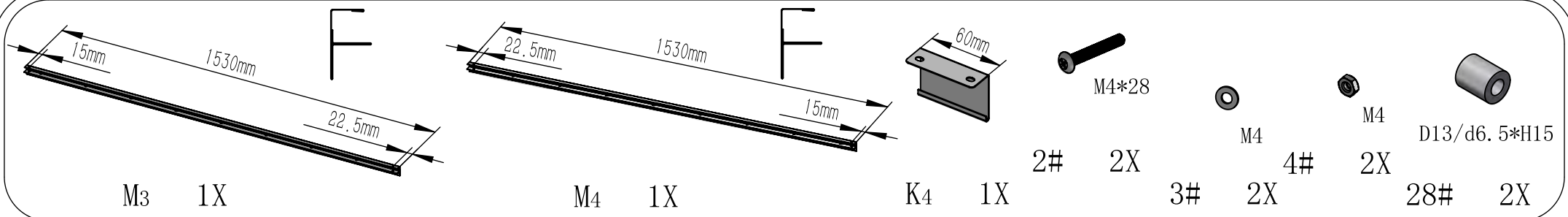
When installing, note that the two small holes on #L4 must be aligned with the small hole on #L2.



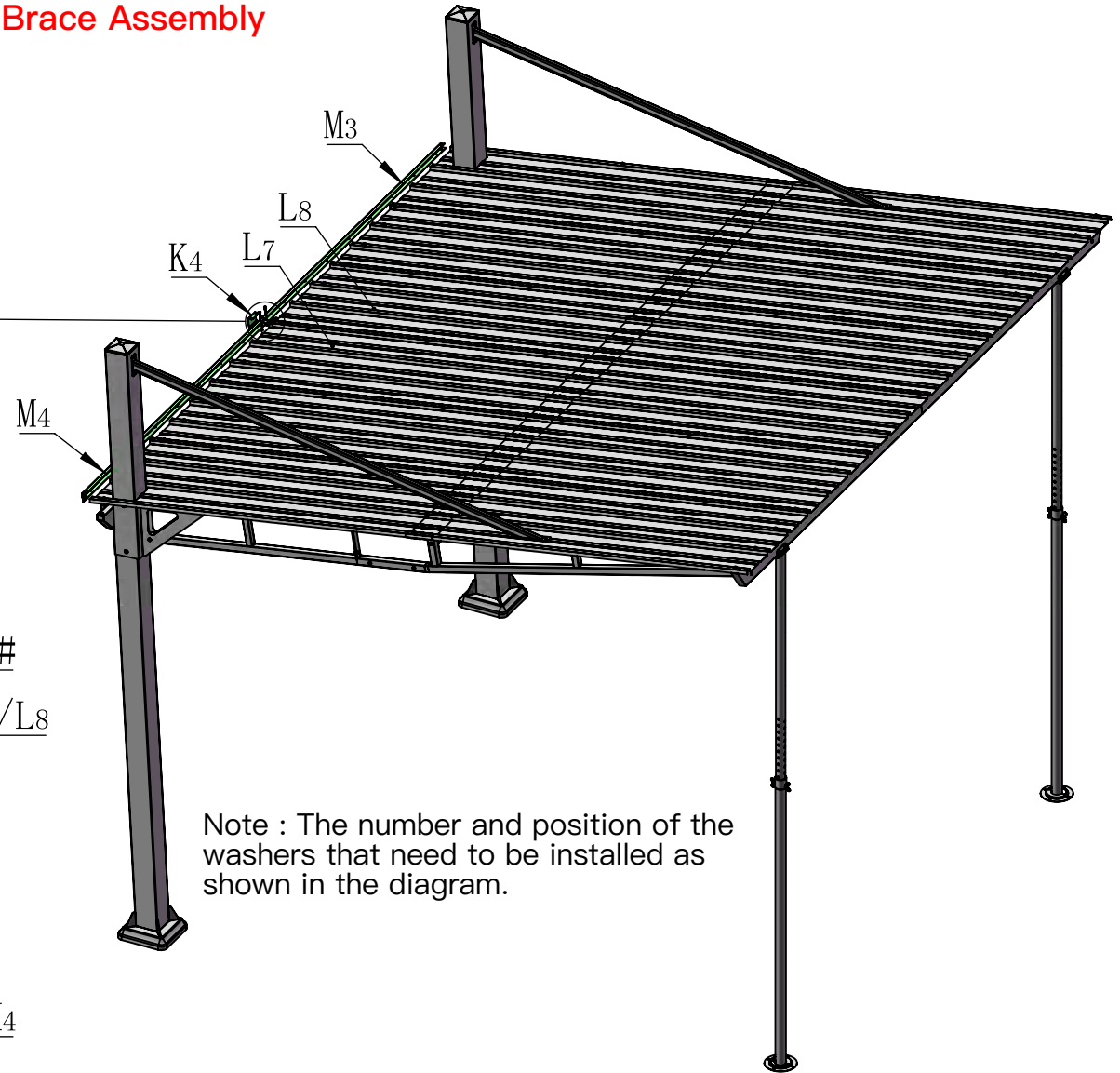
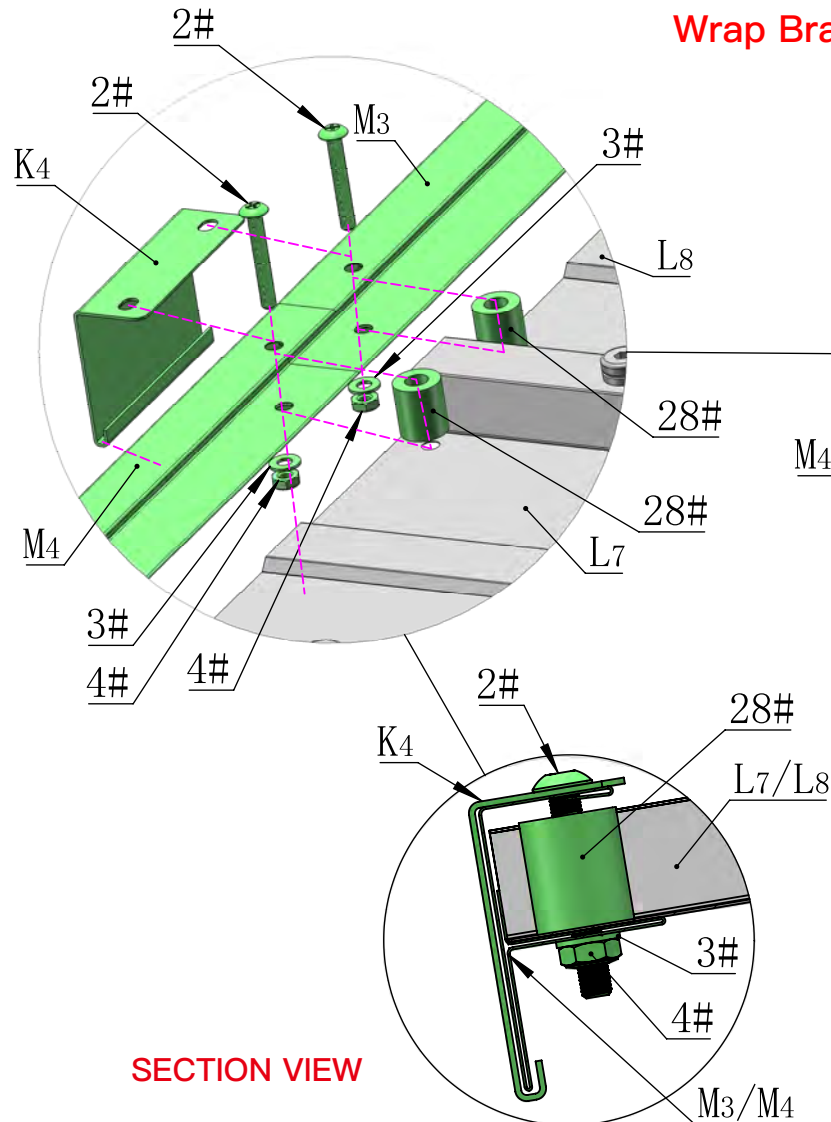


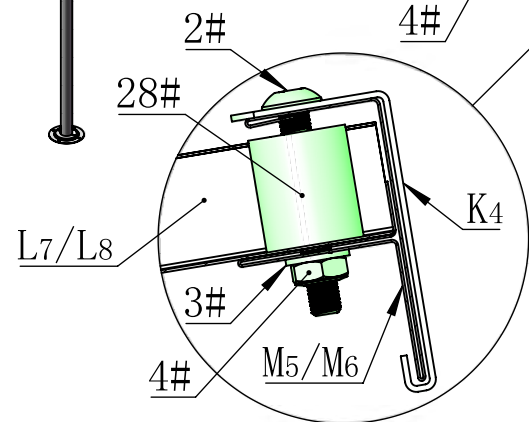
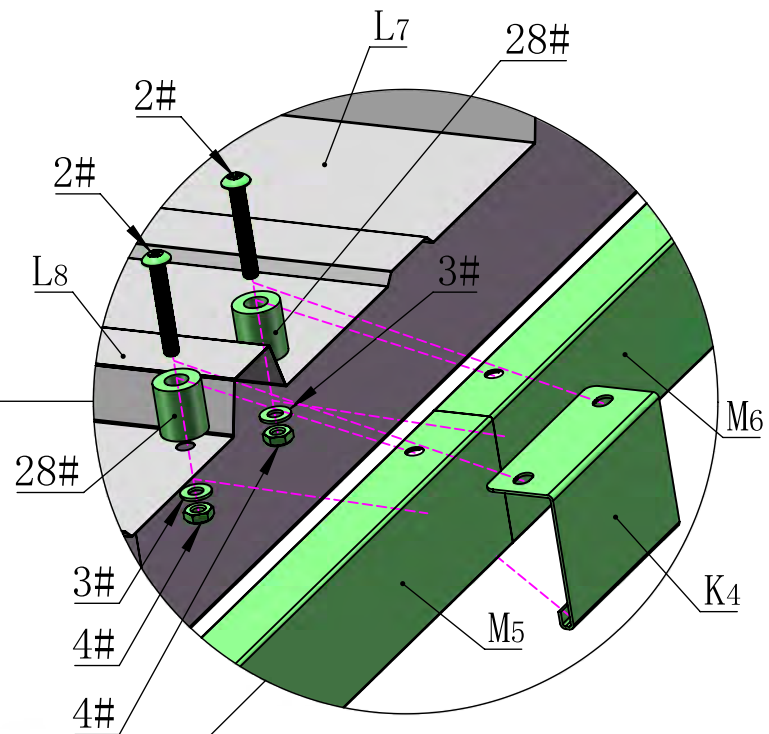
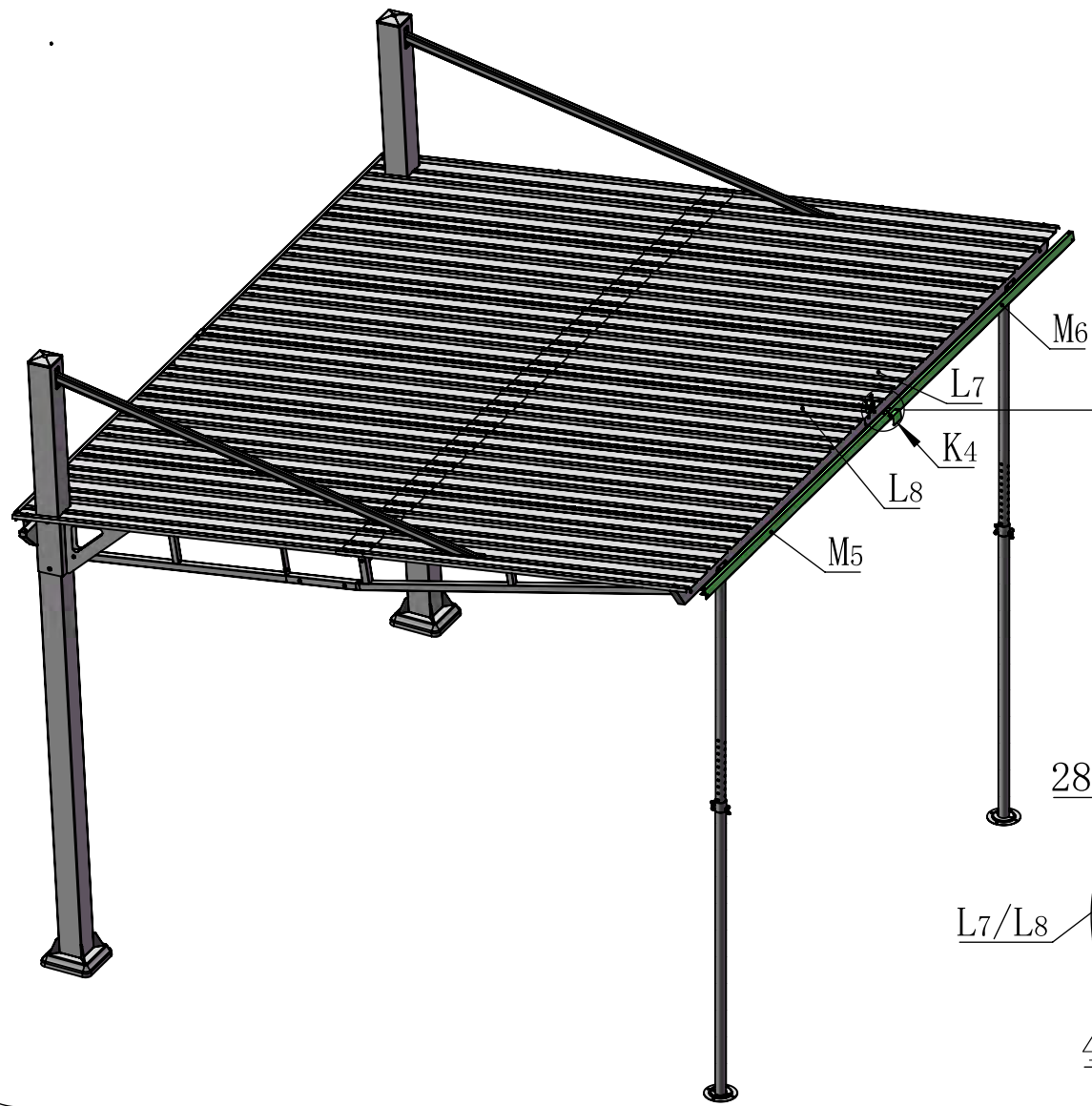
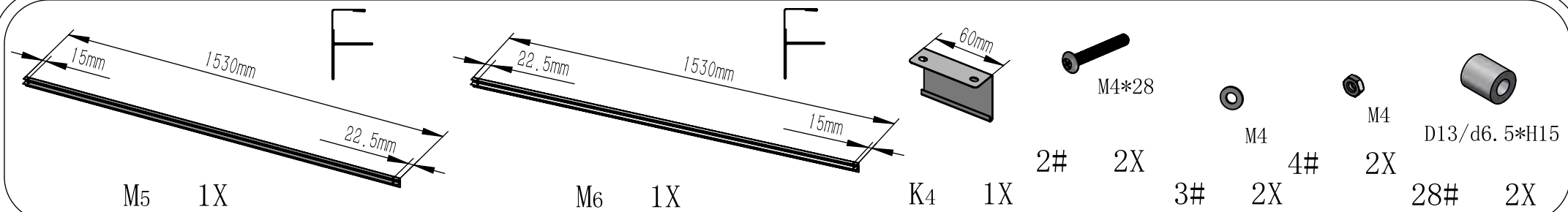
**Inclined Brace Assembly**

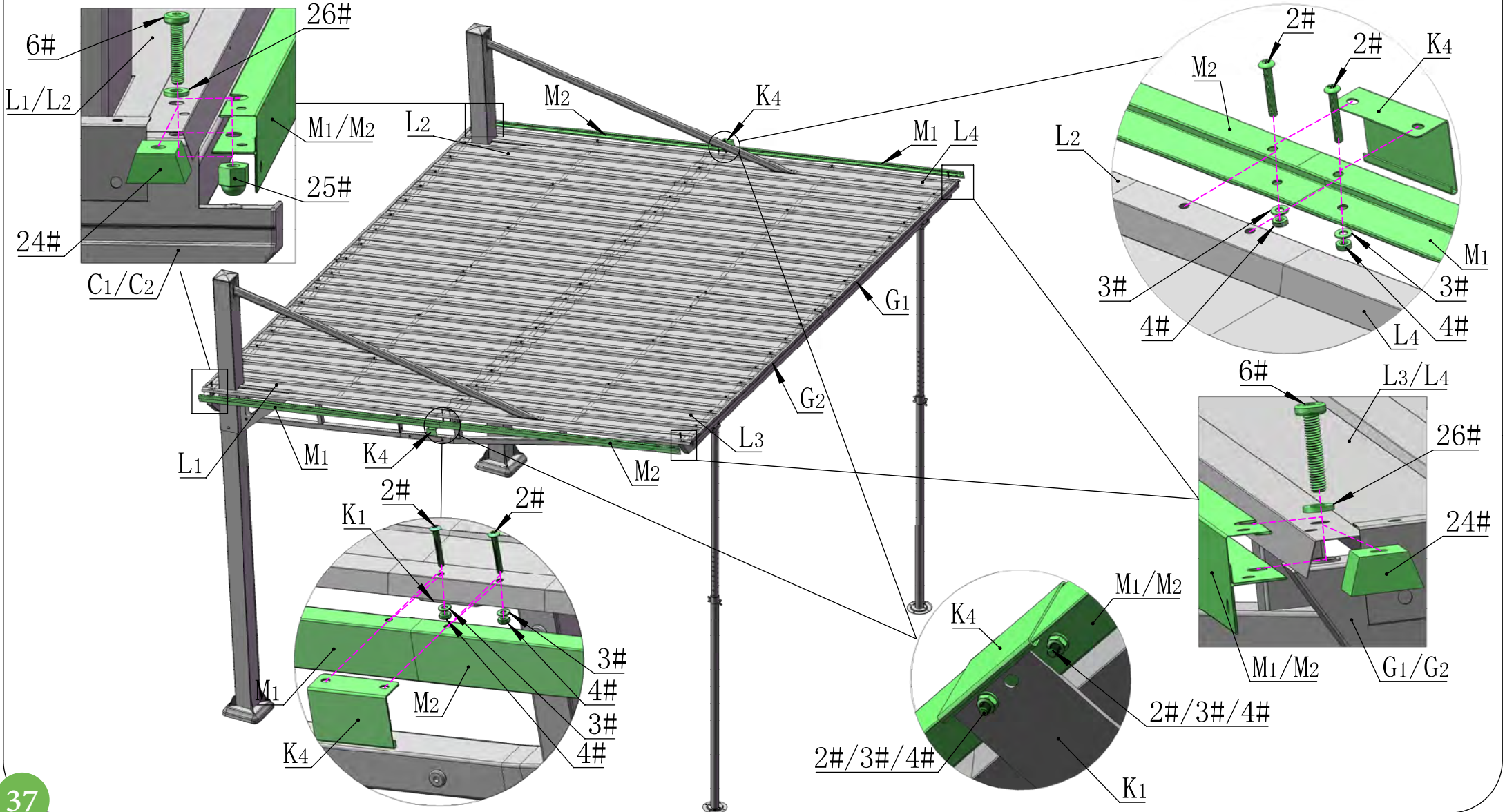
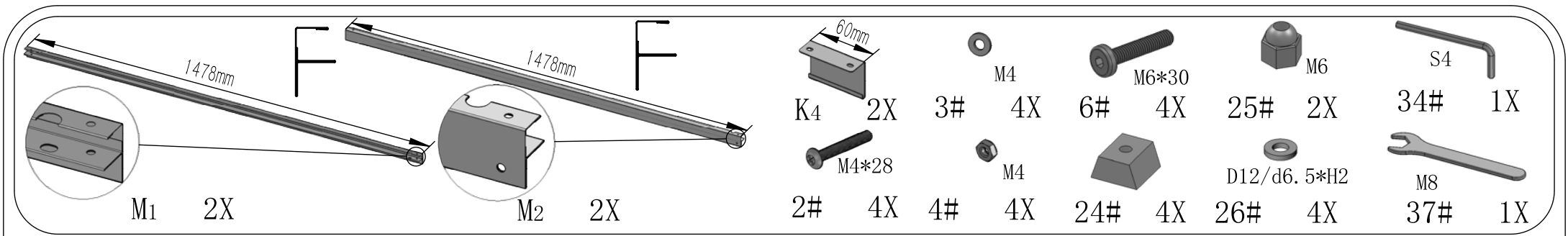


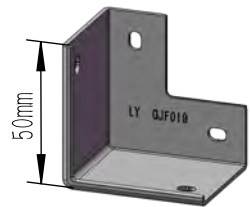


**Wrap Brace Assembly**









K3 4X



M4\*10

1# 8X



M4\*28

2# 8X



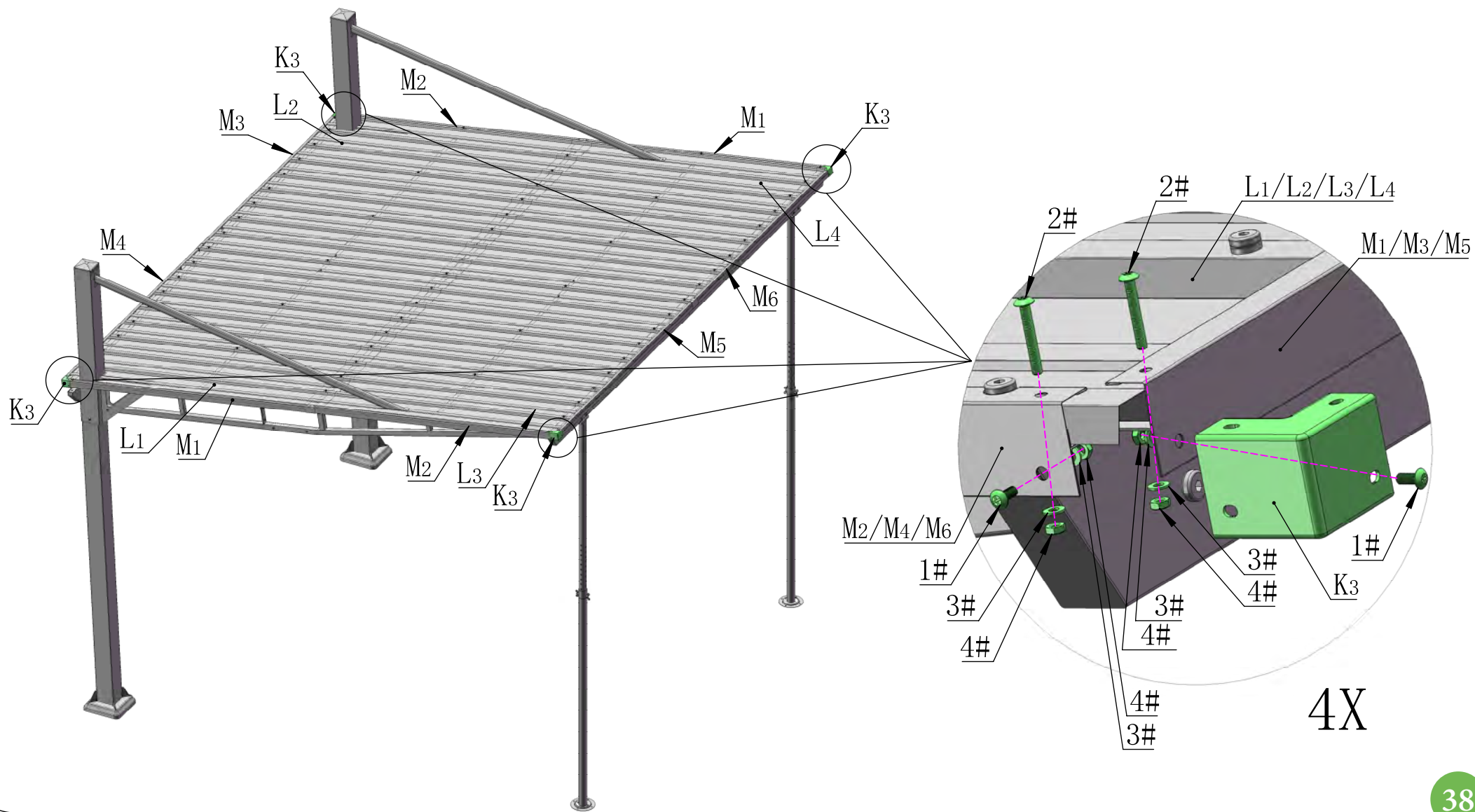
M4

3# 16X



M4

4# 16X



## **Care and Cleaning**

Wash frame parts with mild soap and water, rinse thoroughly.

Dry frame completely and allow the fabric to drip dry.

Do not use bleach, acid, or other solvents on frame parts.

Please inspect and tighten all bolts or fasteners on a regular basis to ensure proper performance and safety of your gazebo.

# Warranty

## Frames

Frames constructions are warranted to be free from defects in material and workmanship for 1 year from item purchased. Damage to frame from negligence won't be covered by this warranty.

## Bolts & nuts

Bolts and nuts are warranted to be free from defects in material and workmanship for 1 year from item purchased. Damage from exposure to chemicals (including not only oils ,spills, fluids) won't be covered by this warranty.

## Warranty Limitation

This warranty is for the original purchase order only. (Order number required). This warranty is non-transferable. Domi outdoor living is responsible for the free replacement part including shipping charges for the 1 year warranty.

## Warranty Exclusion

This warranty does not cover products subject to negligence, abuse usage, inappropriate installation. Domi outdoor living reserves the right to explain warranty exclusions. When the replacement item is applied, the 1 year warranty automatically expires. Please feel free to contact us for applying warranty.



RESORT COMFORT IN YOUR  
OWN BACKYARD

**Support:**



Email: [service@domioutdoorliving.com](mailto:service@domioutdoorliving.com)

Please tell us your order ID when contact.

Attach photos of damaged part for instant reply.