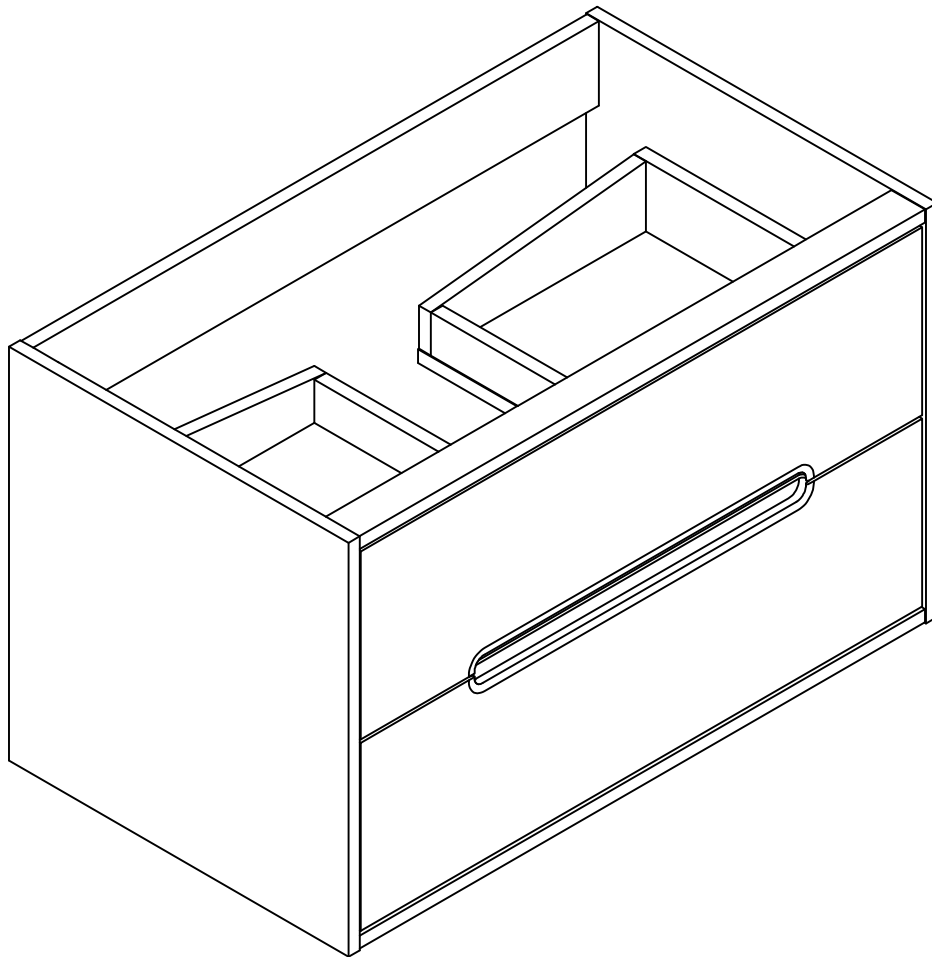

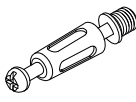
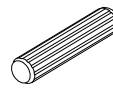
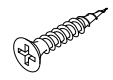
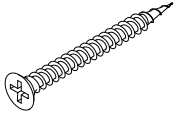
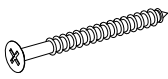

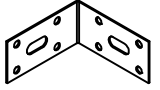
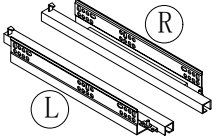


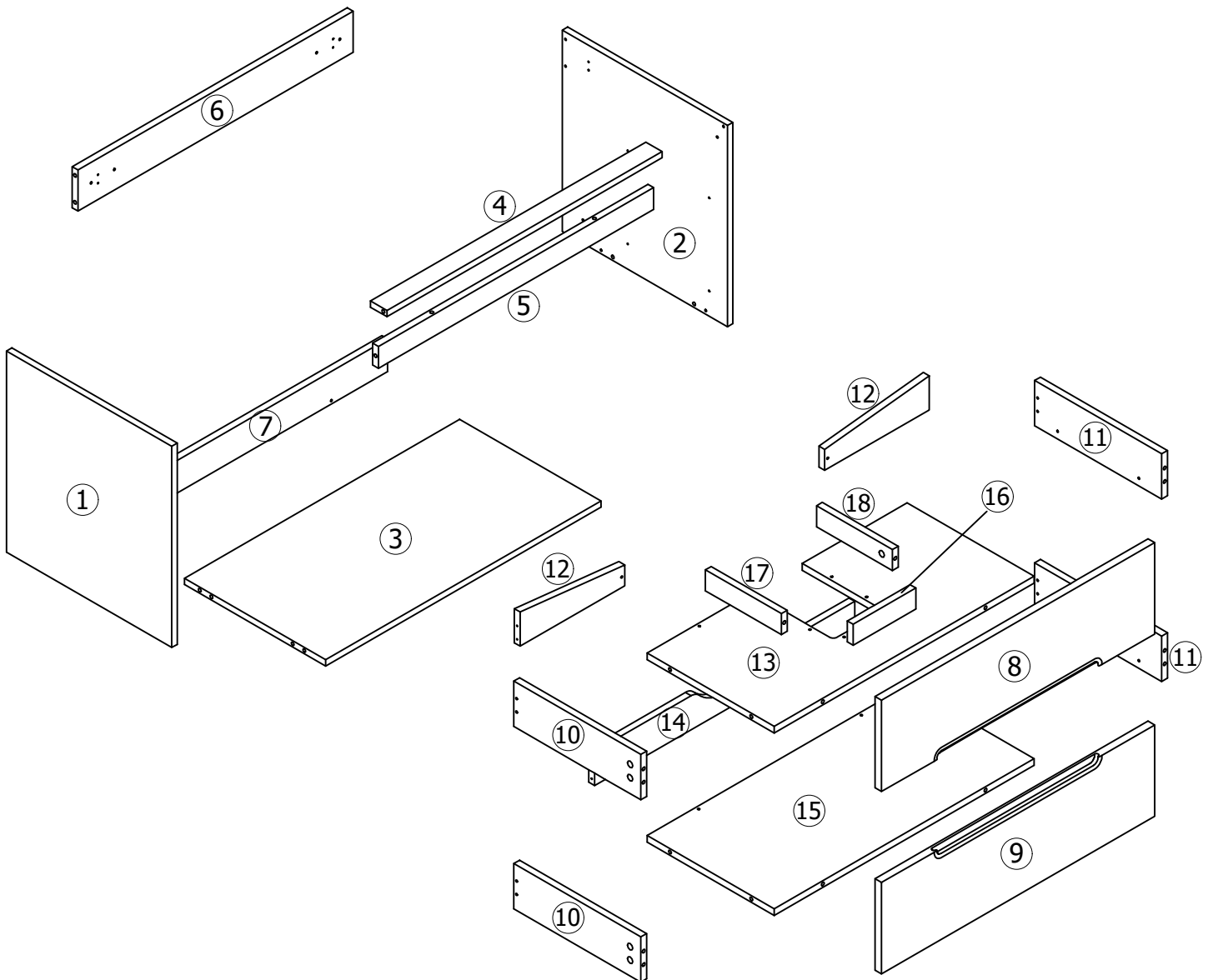
CASTRO 80H 2DRAWER

Assembly Instructions



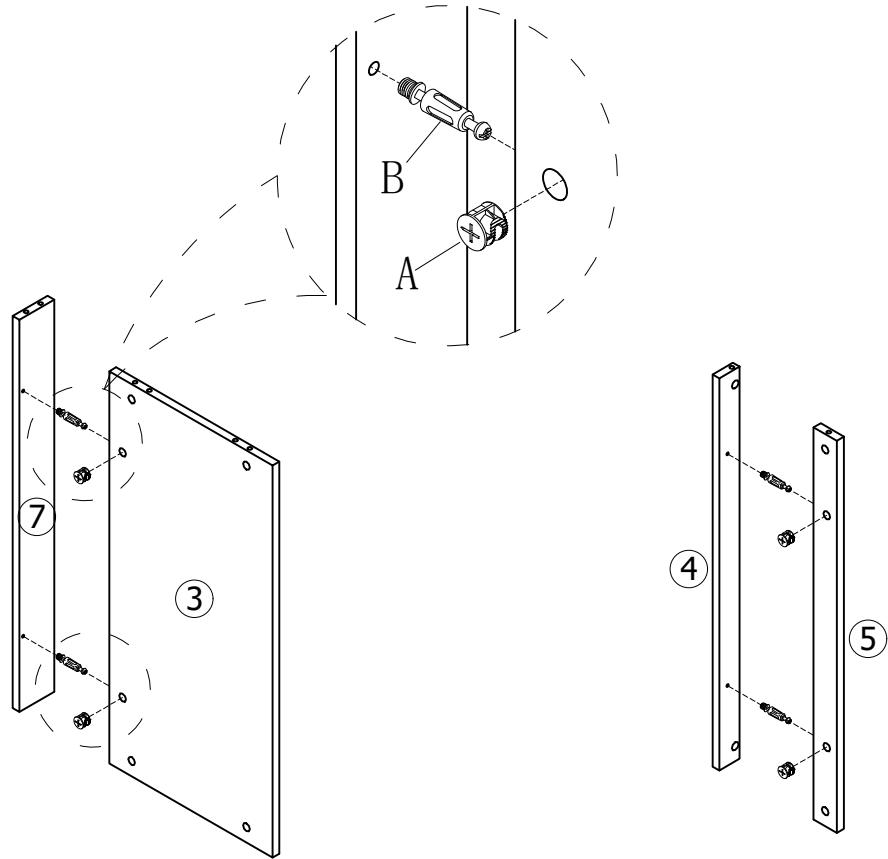
Assembly Instructions

<p>Ø15x11</p>  <p>A x 42</p>	<p>Ø7x35</p>  <p>B x 42</p>	<p>Ø8x30</p>  <p>C x 4</p>	<p>Ø3.5x14</p>  <p>D x 36</p>
<p>Ø4x40</p>  <p>E x 20</p>	<p>Ø5x70</p>  <p>F x 4</p>	<p>Ø7.8x38</p>  <p>G x 4</p>	<p>64*64*33</p>  <p>H x 2</p>
<p>14"</p>  <p>I x 2</p>			



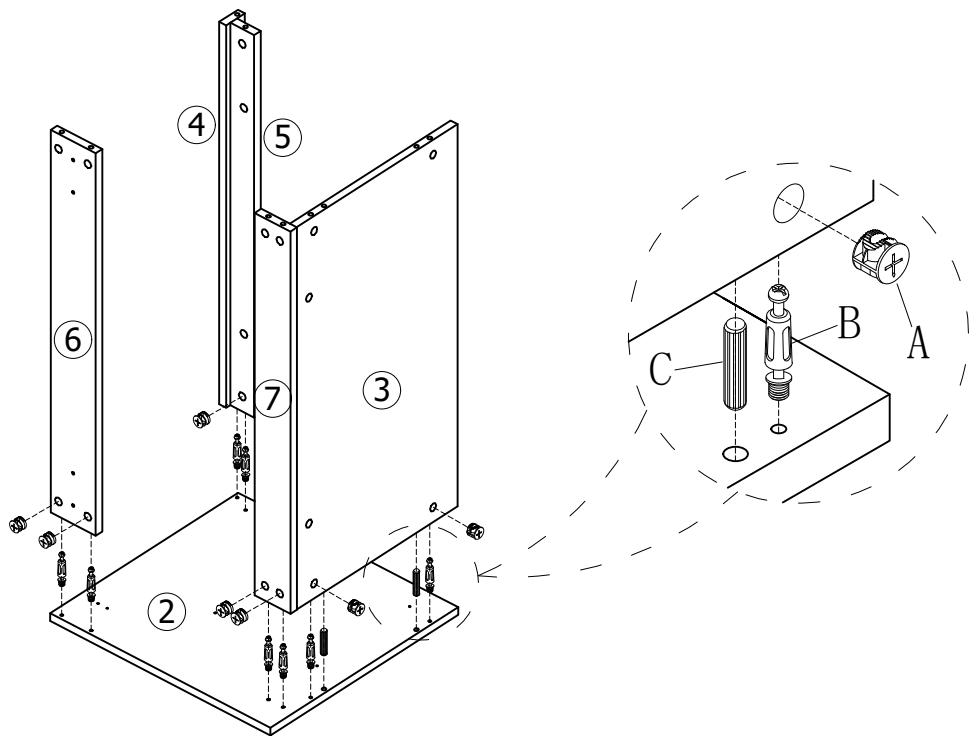
STEP 1

Ax4
Bx4



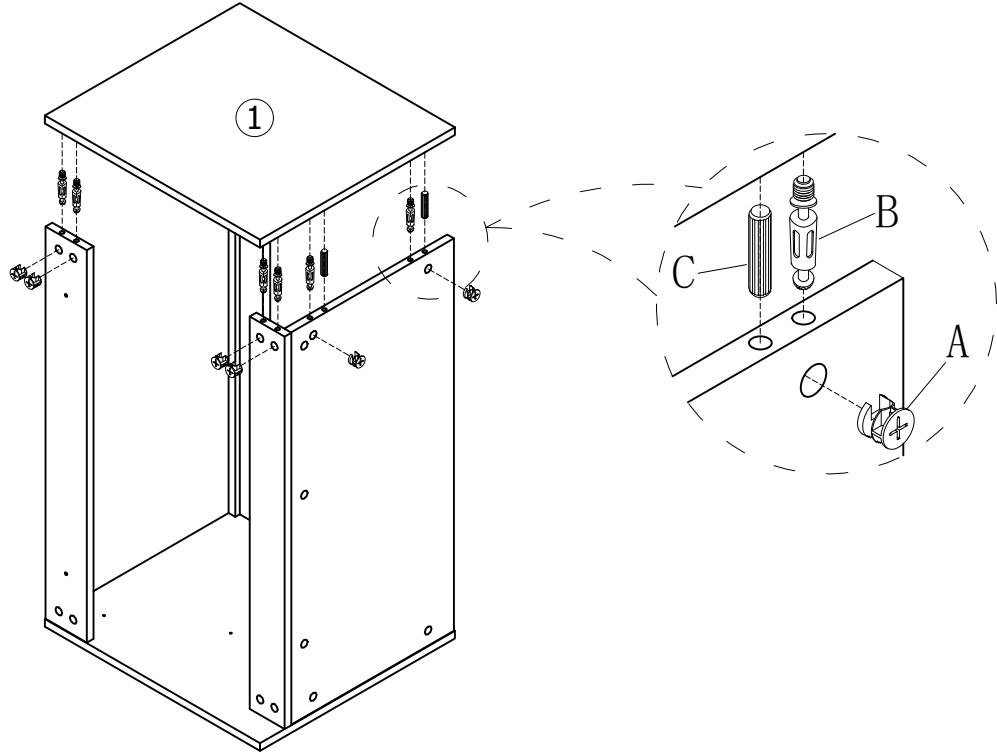
STEP 2

Ax8
Bx8
Cx2



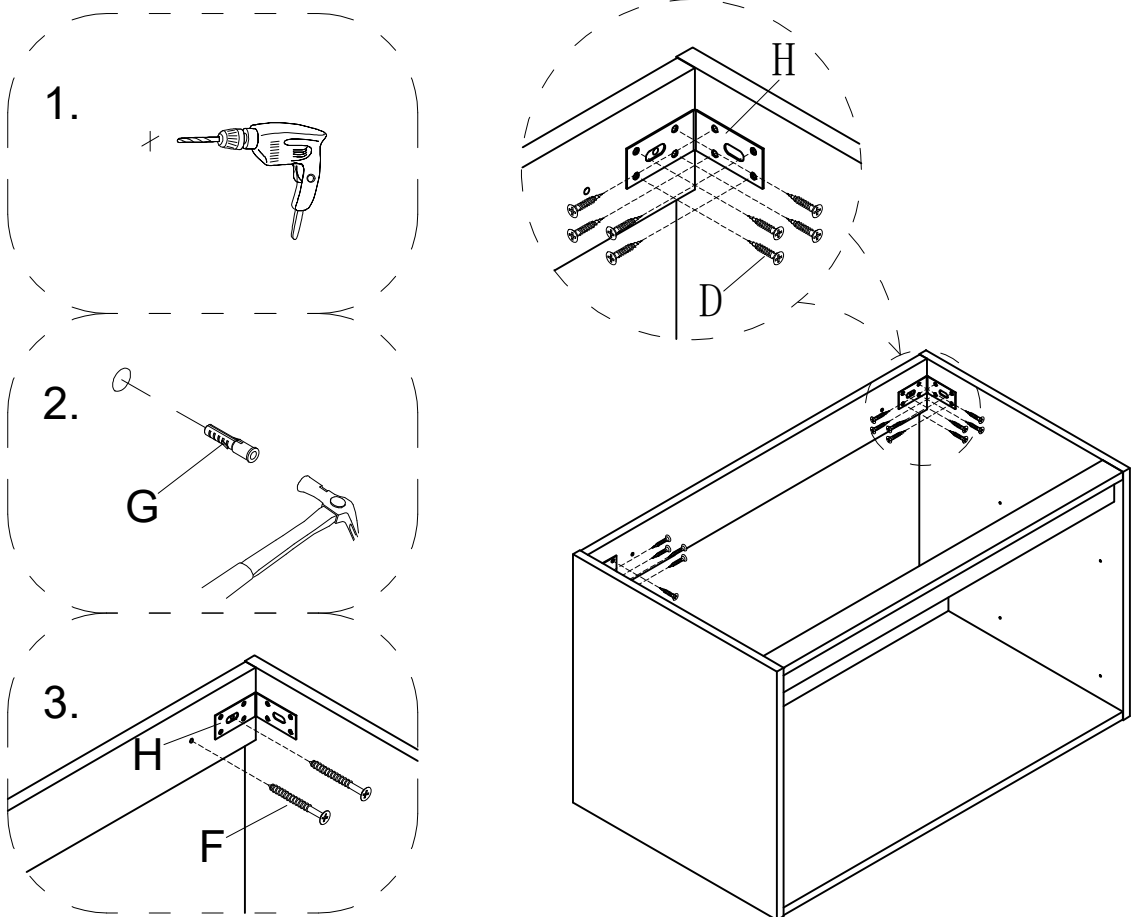
STEP 3

Ax8
Bx8
Cx2



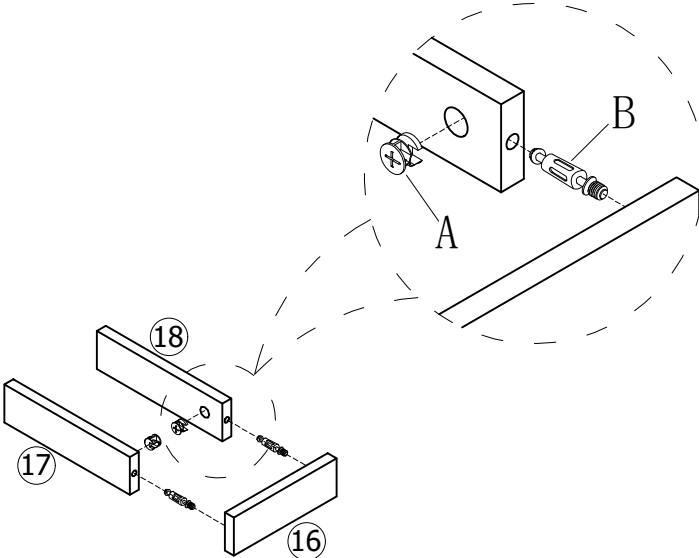
STEP 4

Dx16
Fx4
Gx4
Hx2



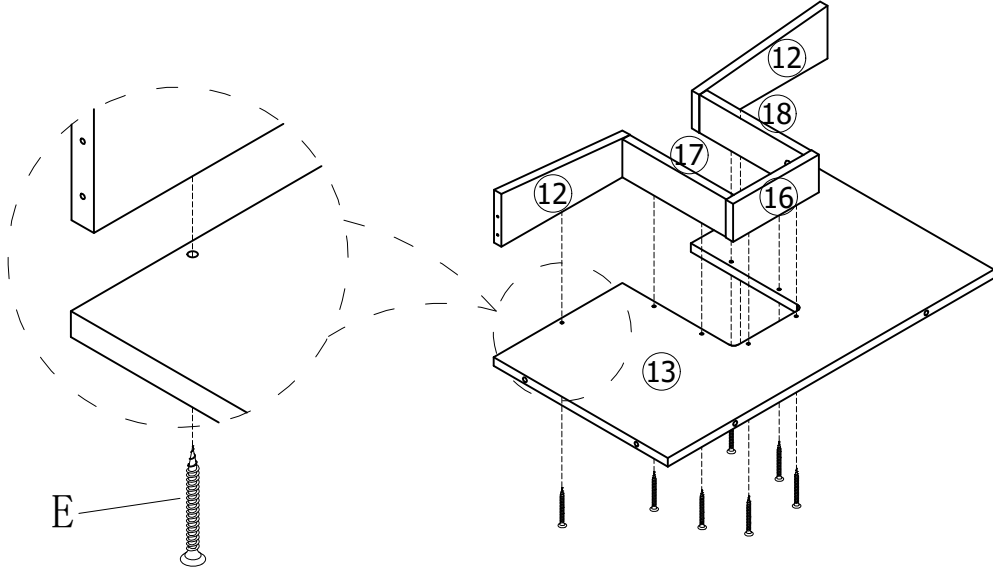
STEP 5

Ax2
Bx2



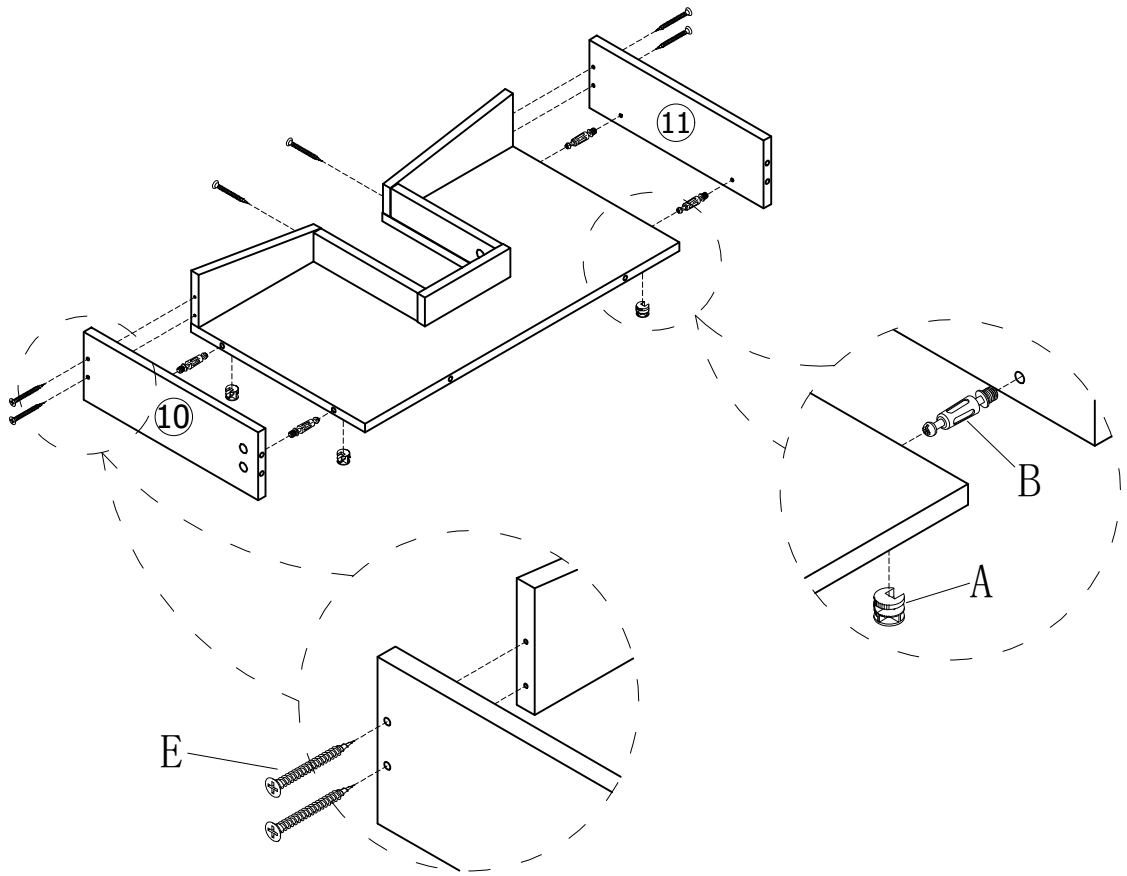
STEP 6

Ex8



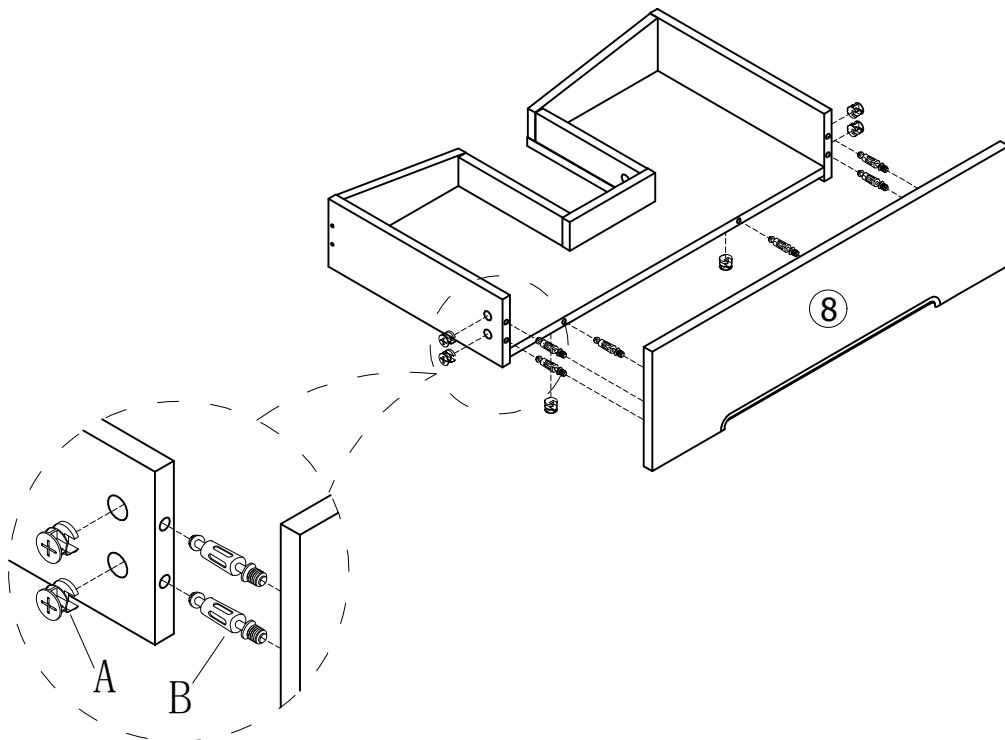
STEP 7

Ax4
Bx4
Ex6

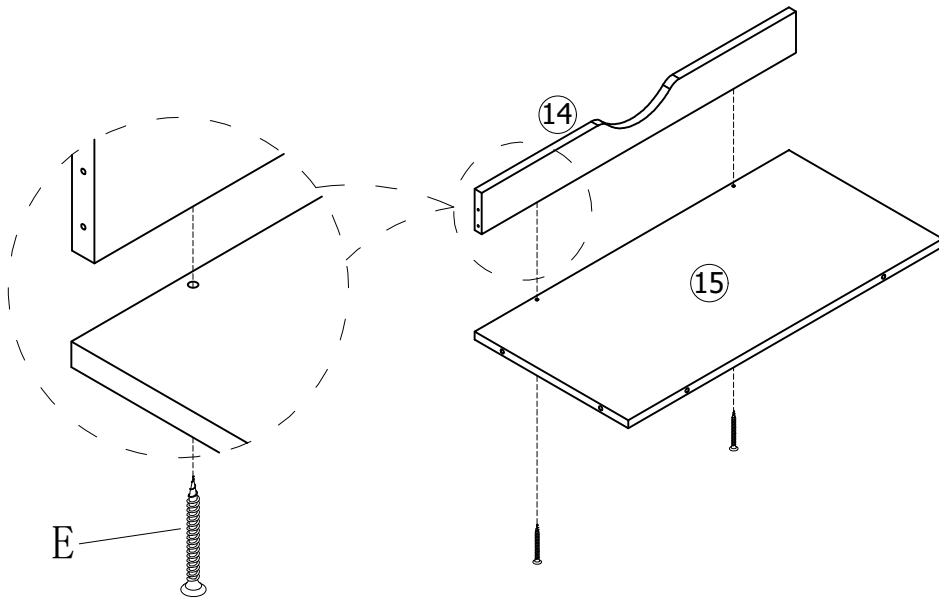


STEP 8

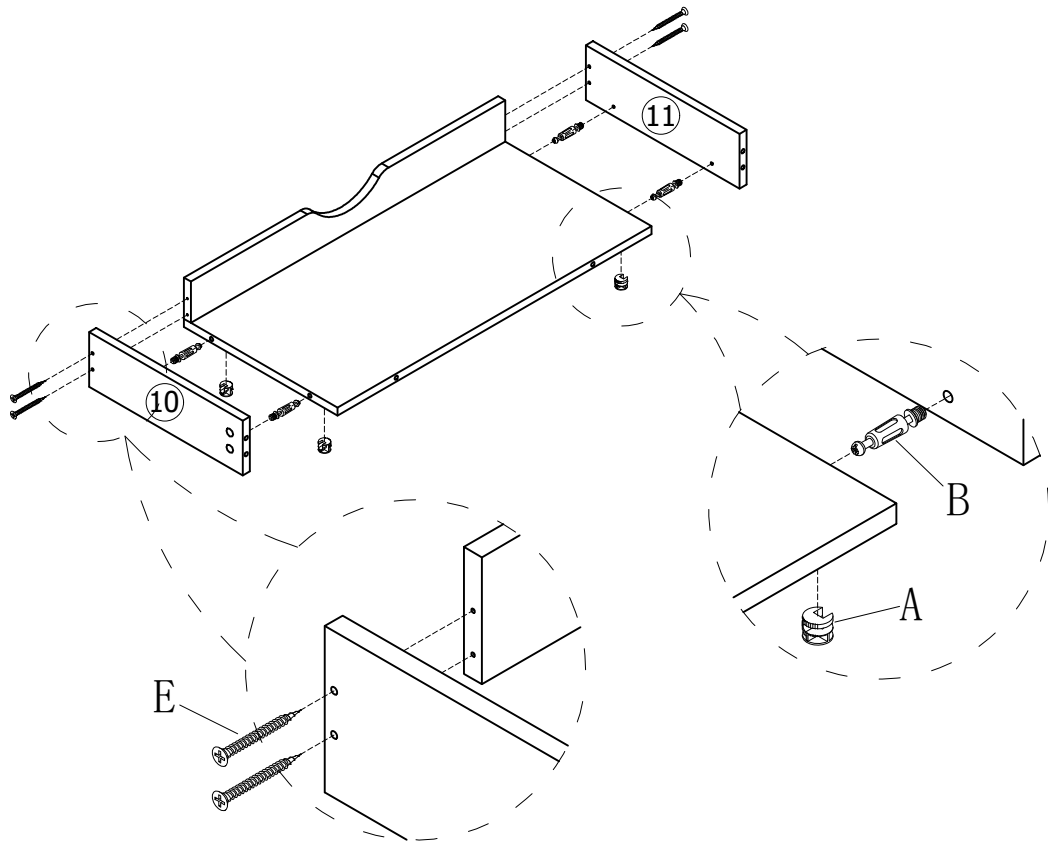
Ax6
Bx6



Ex2

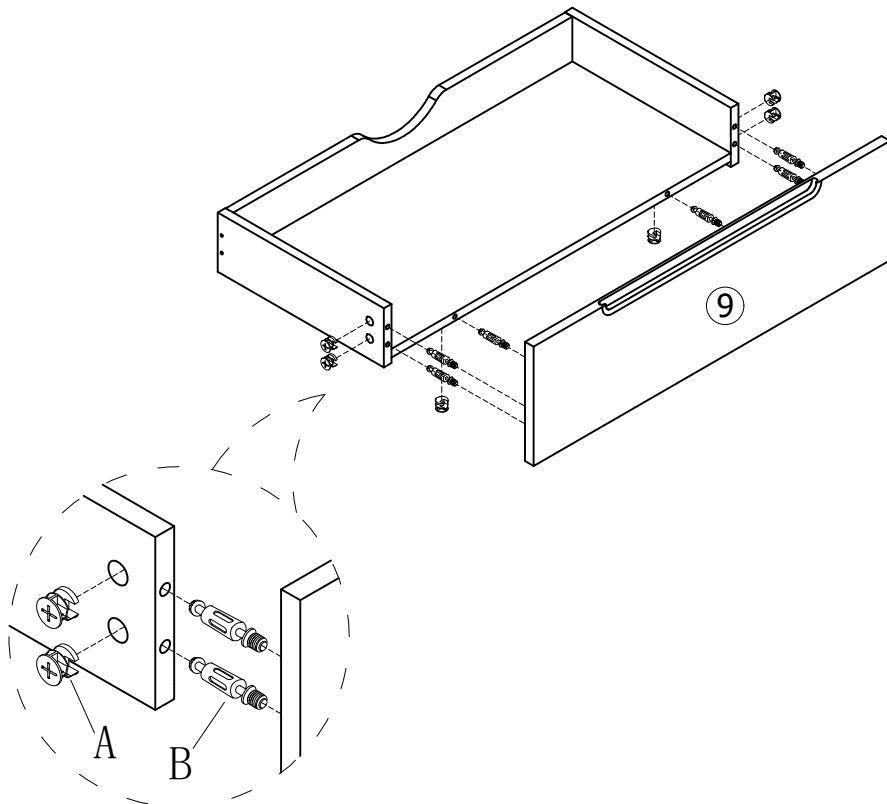


Ax4
Bx4
Ex4



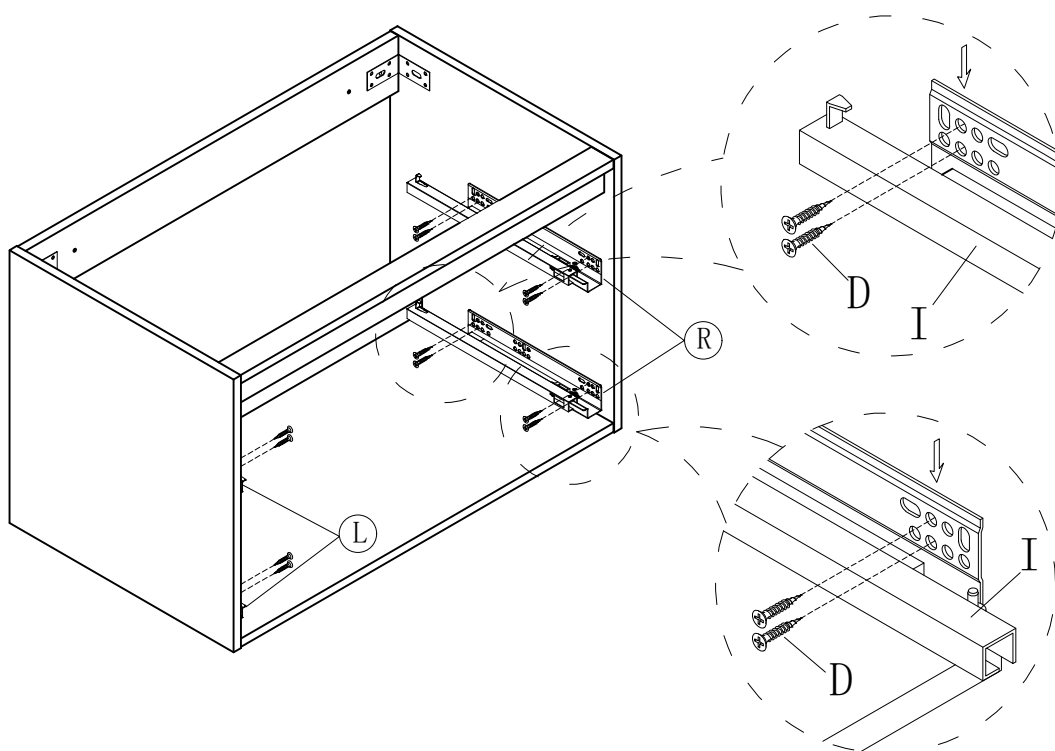
STEP 11

Ax6
Bx6

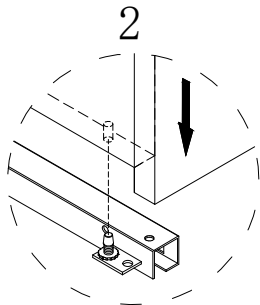
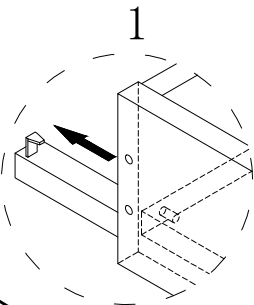
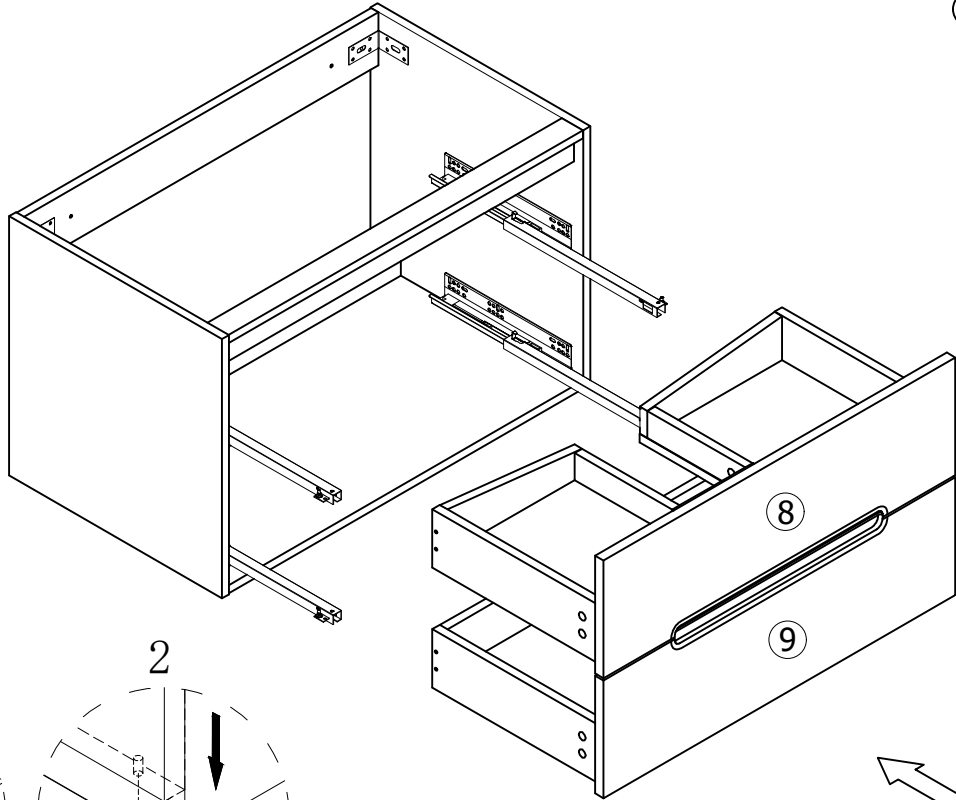


STEP 12

Dx16
Ix2

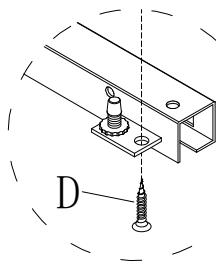
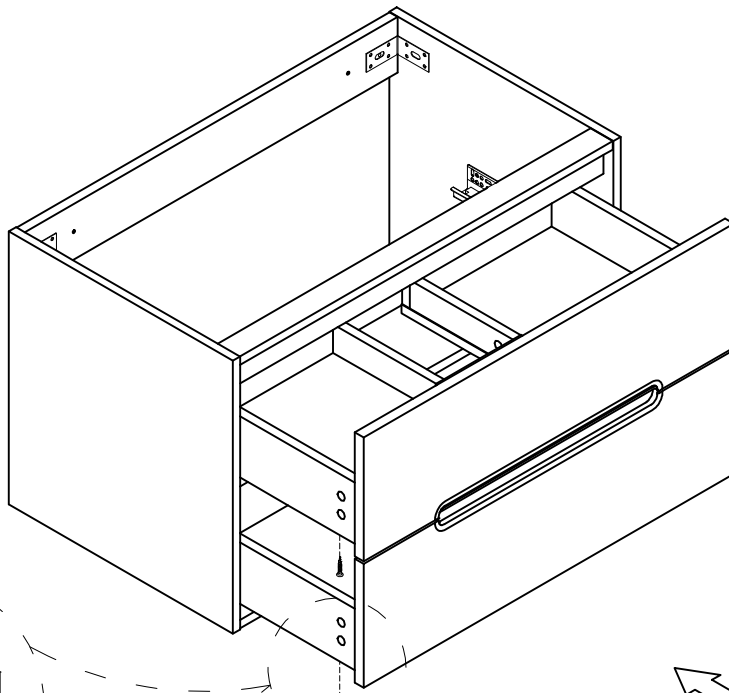


STEP 13

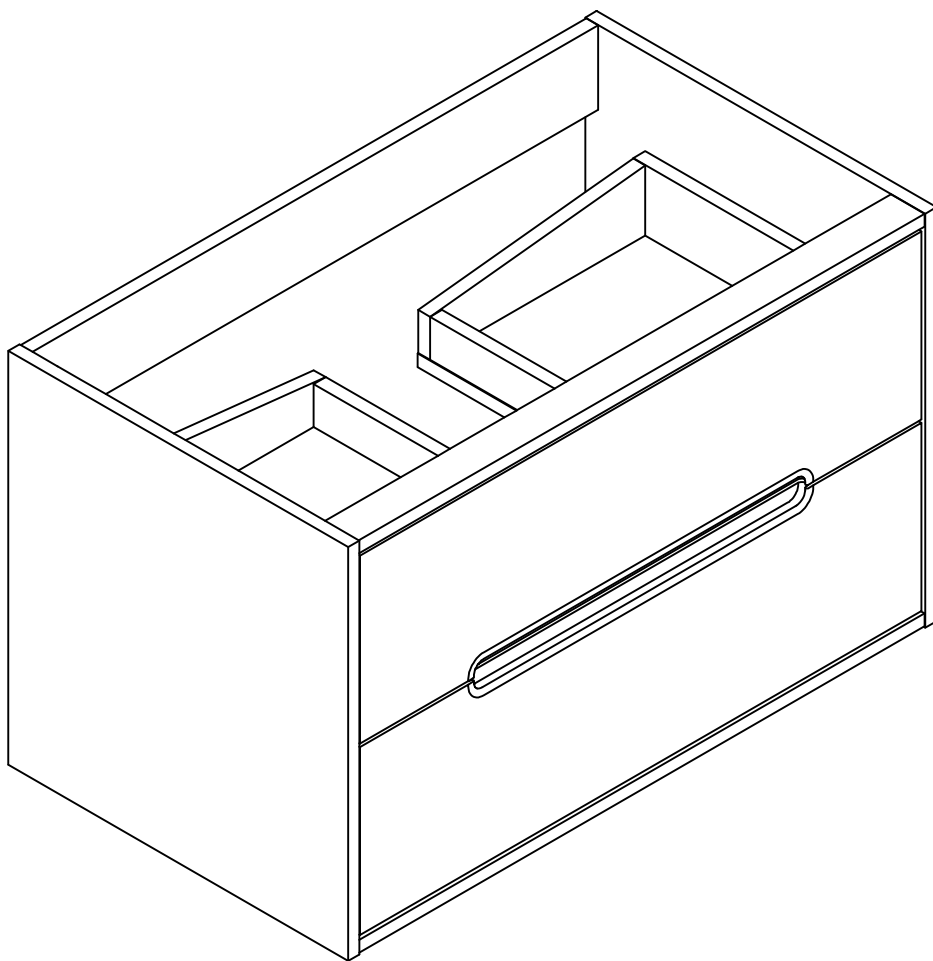


STEP 14

Dx4



STEP 15



FINISH