

USER'S MANUAL

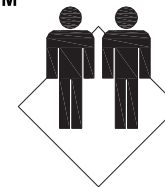
5 PCS SOFA SET

THIS INSTRUCTION BOOKLET CONTAINS **IMPORTANT** SAFETY INFORMATION. PLEASE READ AND KEEP FOR FUTURE REFERENCE.

Please give us a chance to make it right and do better!

Contact our friendly customer service department for help first.
Replacements for missing or damaged parts will be shipped ASAP!

FLOOR AREA
2MX2M



ASSEMBLED BY 2 ADULTS

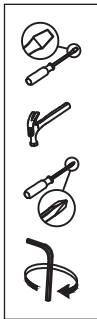
Contact Us!

Do NOT return this item.

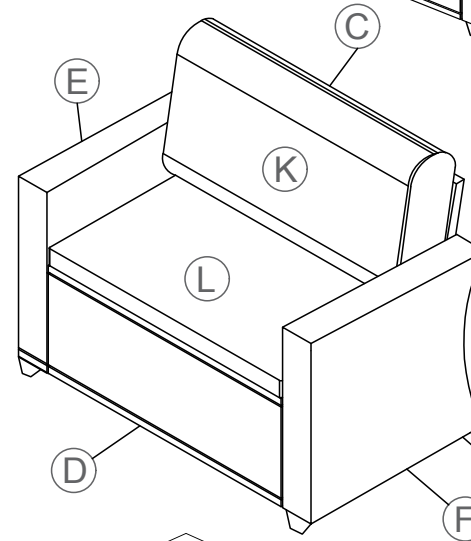
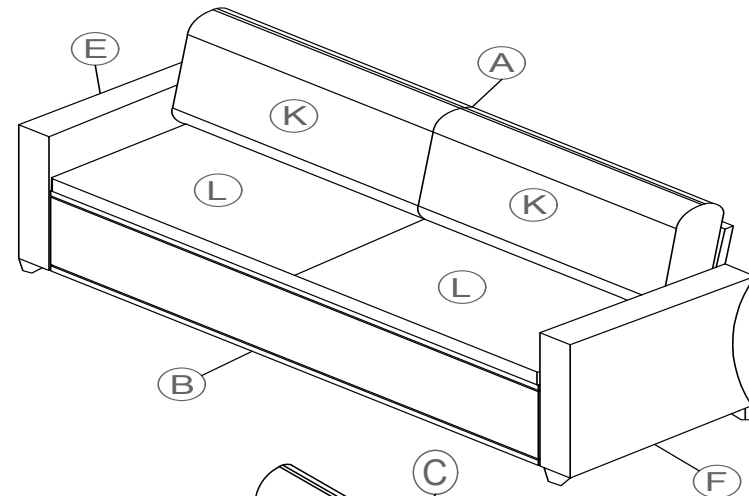
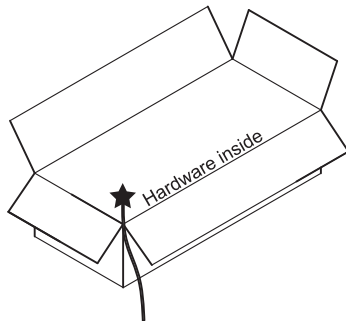
Contact our friendly customer service department for help first.



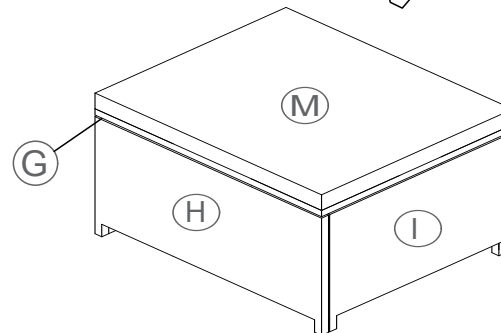
Before You Start



- ⚠ Read each step carefully before starting. It is very important to ensure each step followed in correct order, otherwise assembly difficulties may occur.
- ⚠ Most of board parts are labeled or stamped on the raw edges. Have a check to make sure all parts are included.
- ⚠ Work in a spacious area, preferably on a carpet close to where the unit will be used.
- ⚠ Keep the handtools close at hand. Do not use power tools to assemble your furniture. They may scratch or damage the parts.


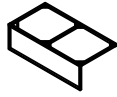





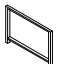
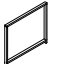
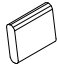
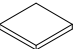
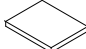


x2








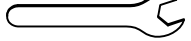



x2

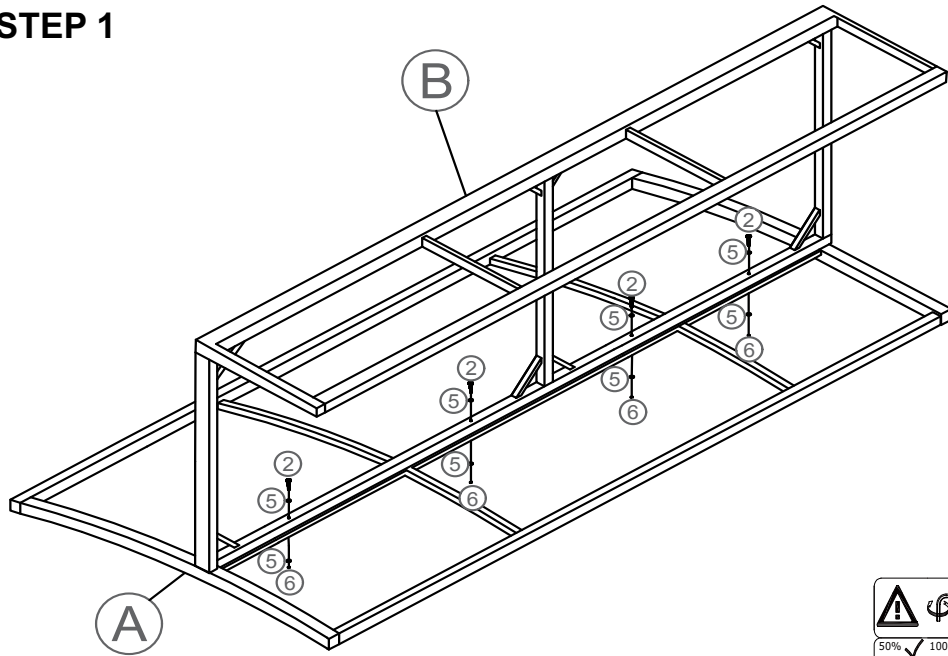
Part List

A		1 pc	B		1 pc
C		2 pc	D		2 pc
E		3 pc	F		3 pc
G		2 pcs	H		4 pcs
I		4 pcs	K		4 pcs
L		4 pcs	M		2 pcs

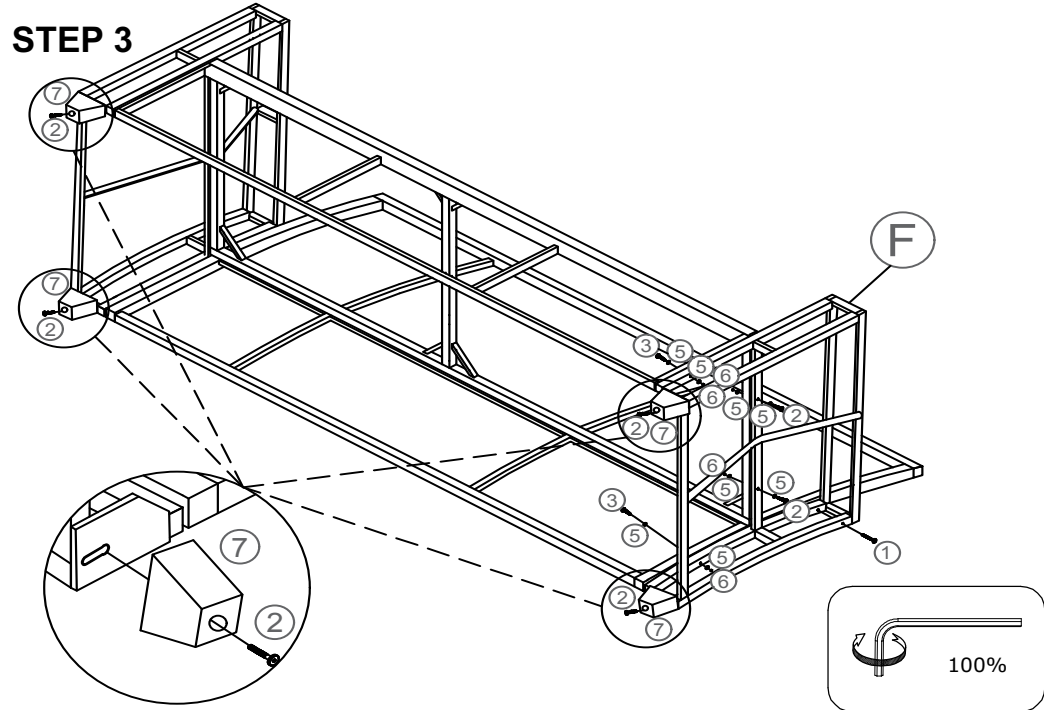
Bolt and Accessories

	Description	Hardware	Spec	Qty
1	Bolt		M6 x 90 mm	6 pcs
2	Bolt		M6 x 60 mm	30 pcs
3	Bolt		M6 x 45 mm	12 pcs
4	Bolt		M6 x 30 mm	24 pcs
5	Washers		M6	84 pcs
6	Nut		M6	30 pcs
7	Plastic feet			12 pcs
8	Spaner		M6	2 pcs
9	Allen key		M4	2 pcs

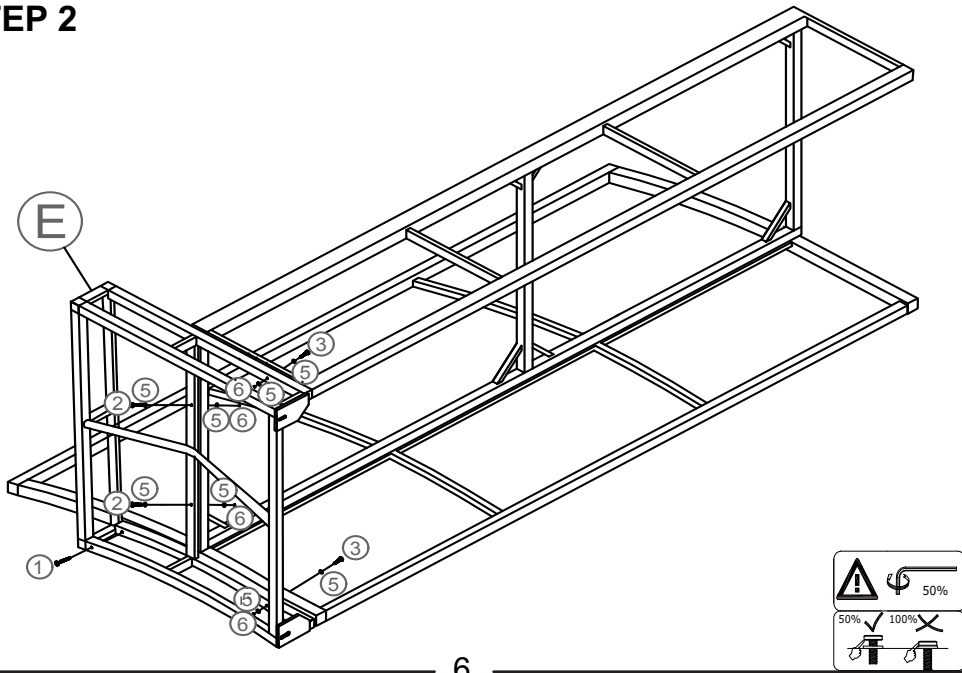
STEP 1



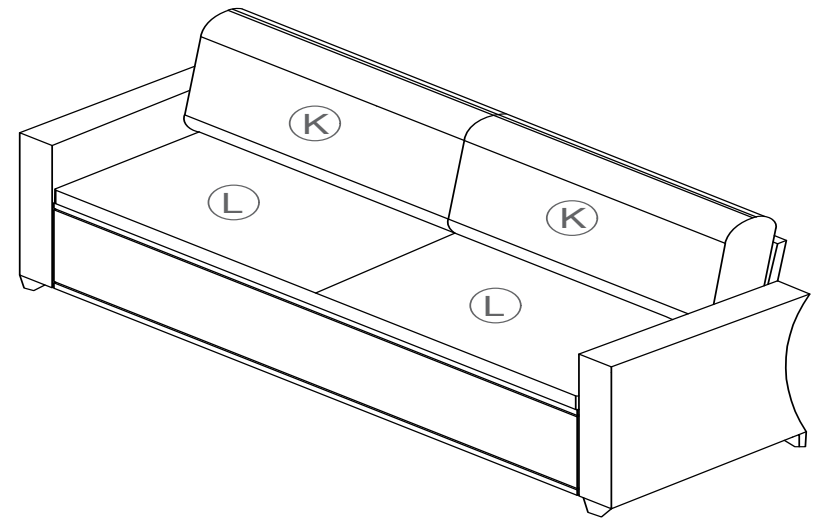
STEP 3



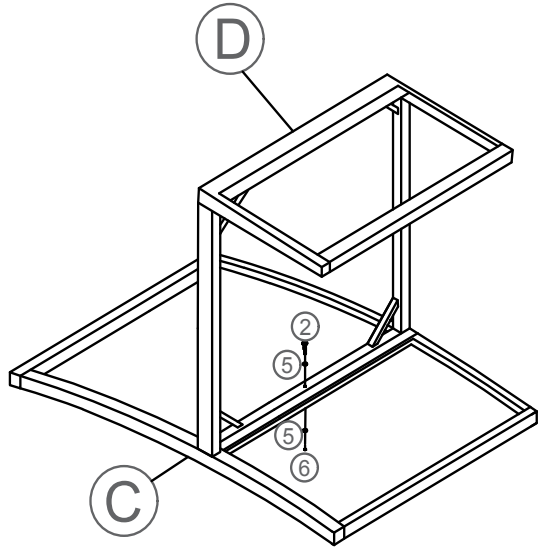
STEP 2



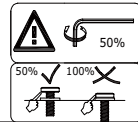
STEP 4



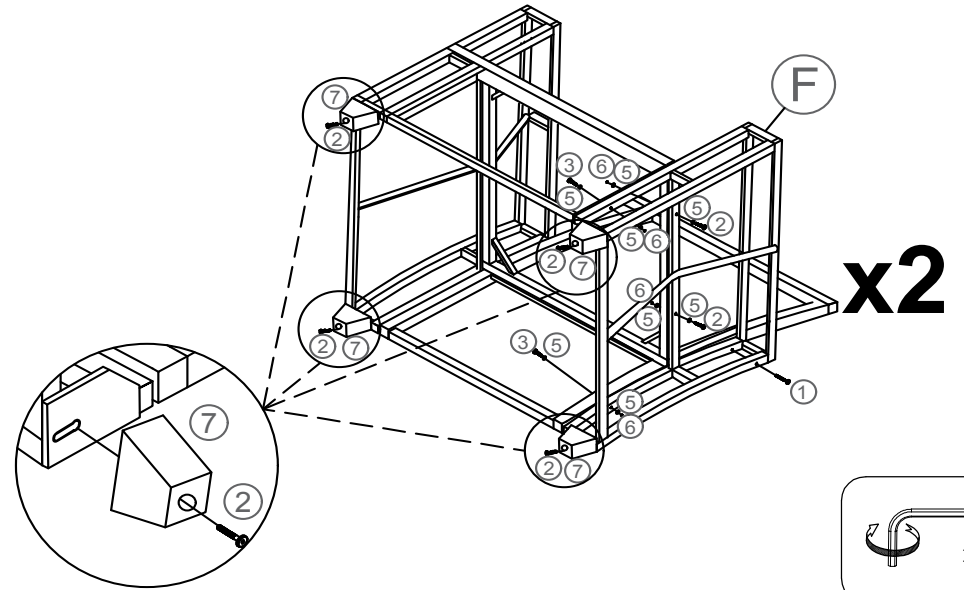
STEP 5



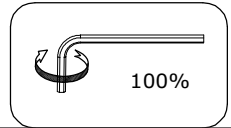
x2



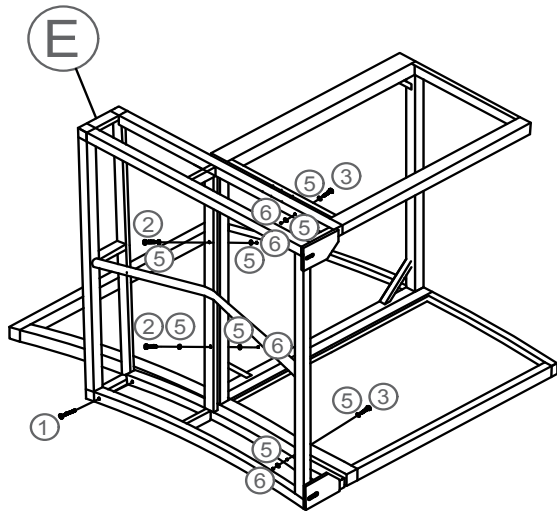
STEP 7



x2



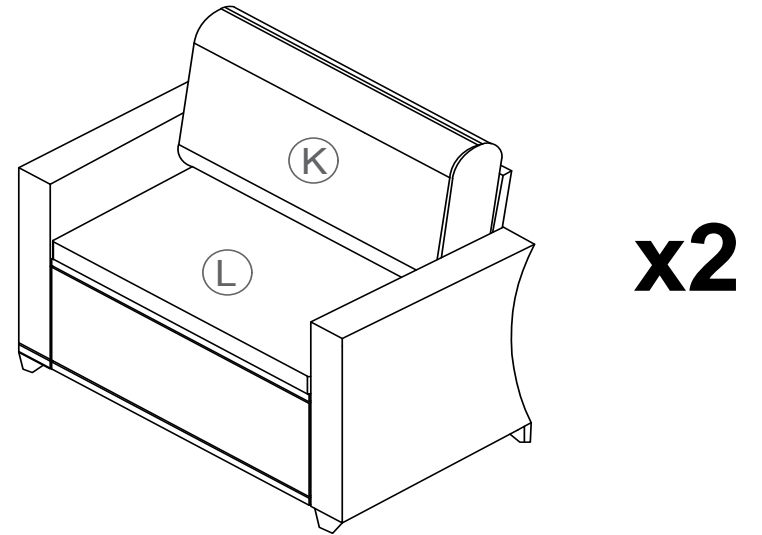
STEP 6



x2

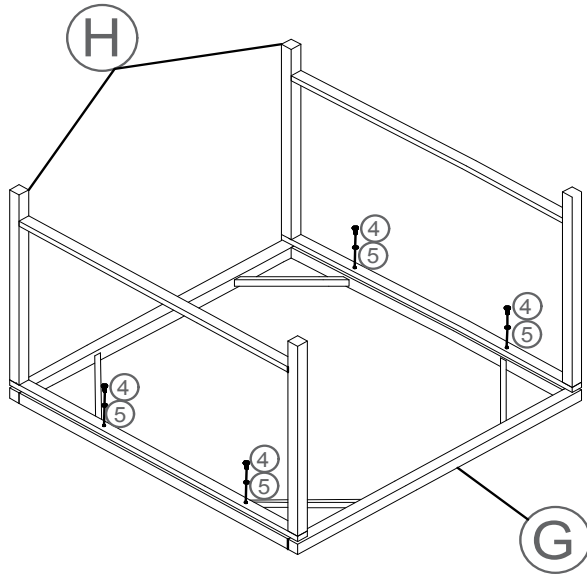


STEP 8

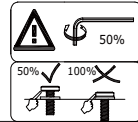


x2

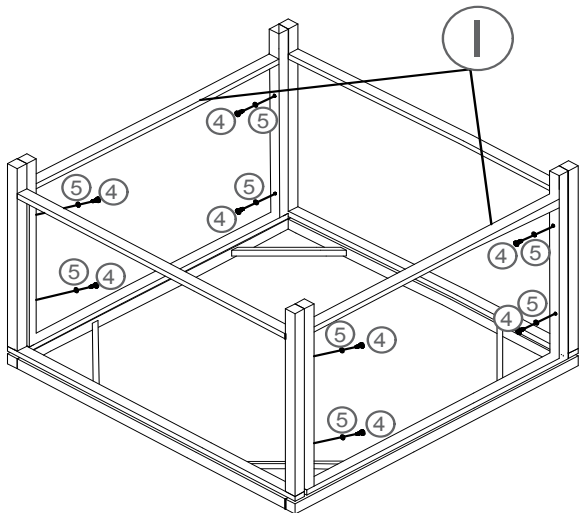
STEP 9



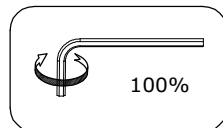
x2



STEP 10

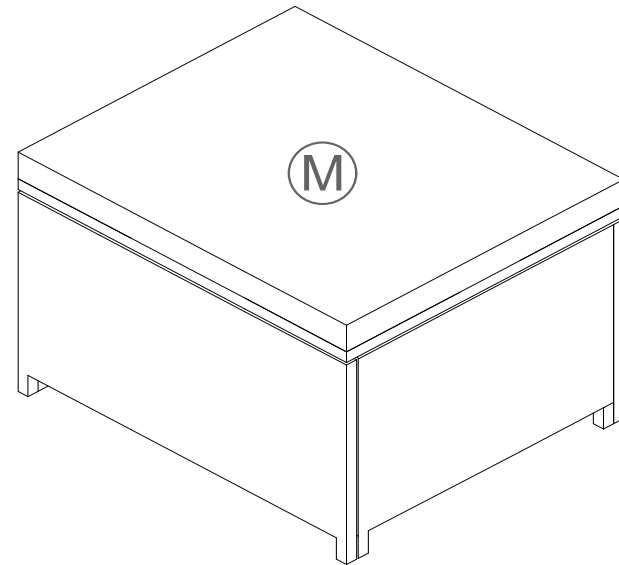


x2



10

STEP 11



x2

1

Care and Maintenance

Use a soft, clean cloth that will not scratch the surface when dusting.

Use of furniture polish is not necessary.

Should you choose to use polish, test first in an inconspicuous area.

Using solvents of any kind on your furniture may damage the finish.

Liquid spills should be removed immediately. Using a soft clean cloth, blot the spill gently. Avoid rubbing.

Check bolts/screws periodically and tighten them if necessary.

Further advice about wood furniture care

Please protect your outdoor furniture with a cover when not in use since Long-term sunlight exposure will result in the damage on the surface.

In addition to sunlight damage, wood and metal frame suffers when exposed to extremes in temperature and humidity.

Proper care and cleaning at home will extend the life of your purchase. Following these important and helpful tips will enhance your furniture as it ages.

Welcome to purchase our quality products!

With your inspiring rating, we will be more consistent to offer you EASY SHOPPING EXPERIENCE, GOOD PRODUCTS and EFFICIENT SERVICE!



- * Reward Points
- * Exclusive Customer Service
- * Personalized Recommendations
- * Permanent Shopping Cart
- * Order History

5 Star Rating



We would like to extend our heartfelt thanks to all of our customers for taking time to assemble this product and giving us valuable feedbacks.

THANK
YOU
☺