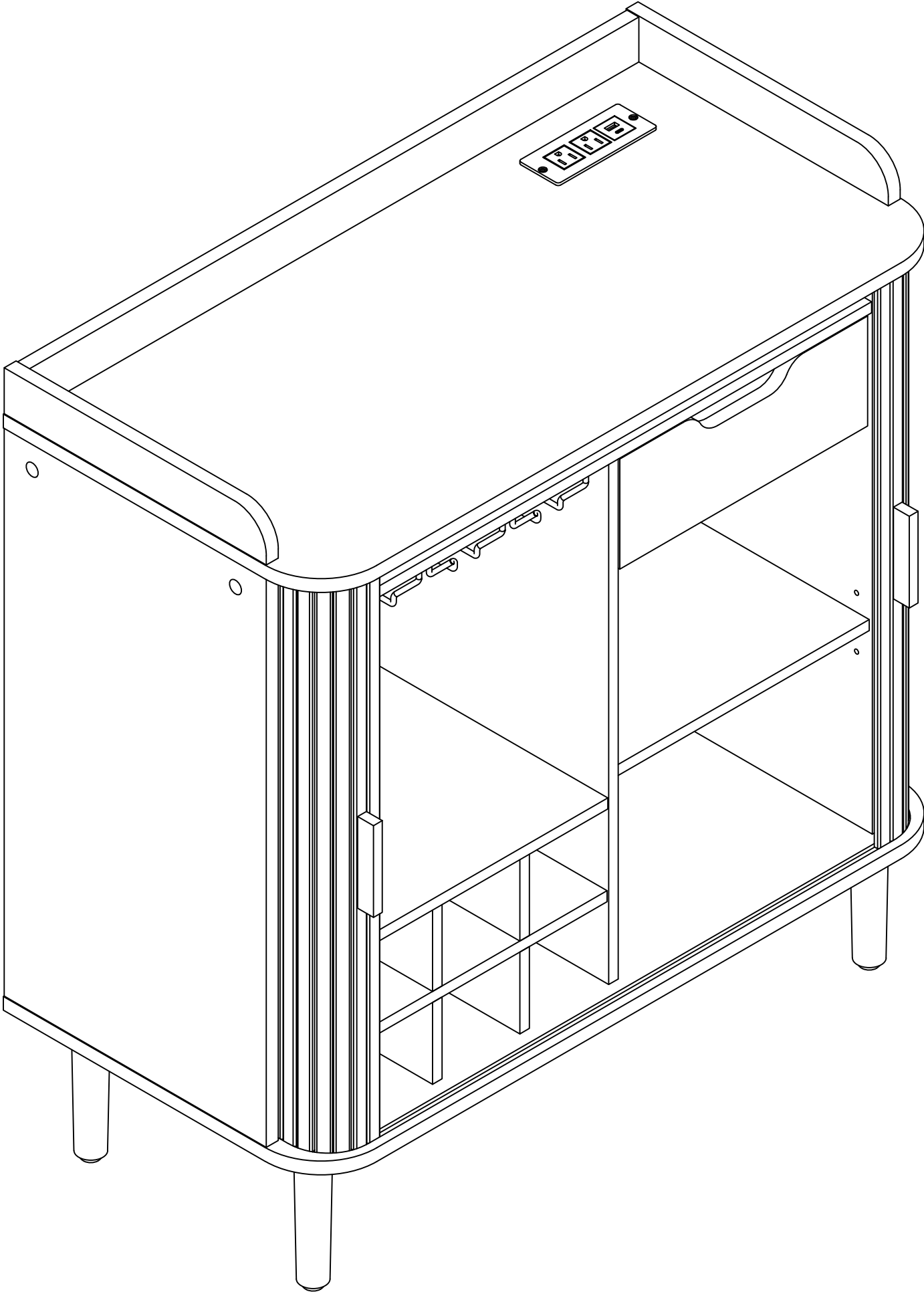


Tambour Door Wine Cabinet

Assembly Instruction



INTRODUCTION

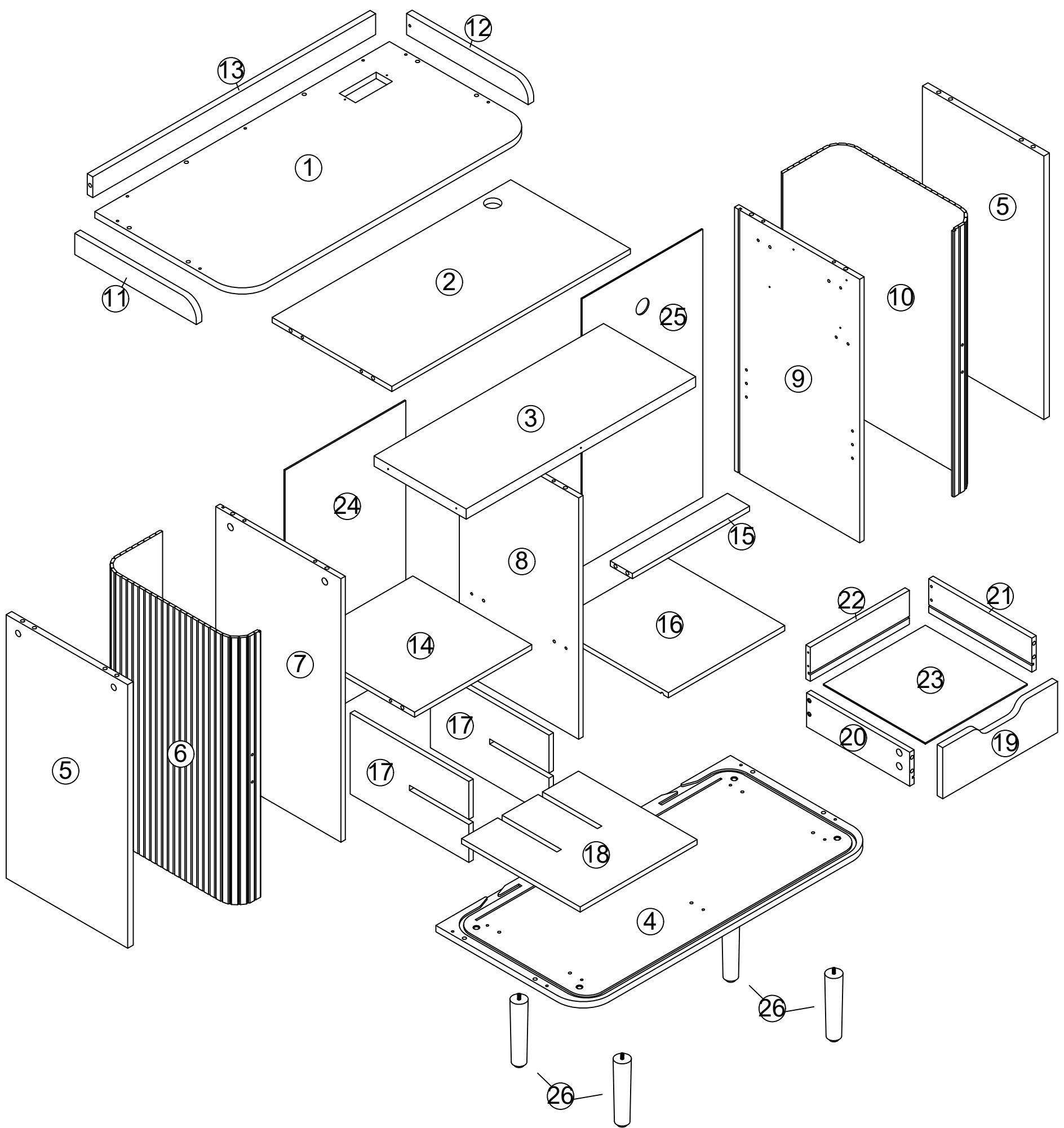
Thank you for purchasing our products. Please read the instructions carefully before installation and keep it in a safe place for future reference. If you need any assistance or support, please feel free to contact our customer support team.

PRECAUTIONS

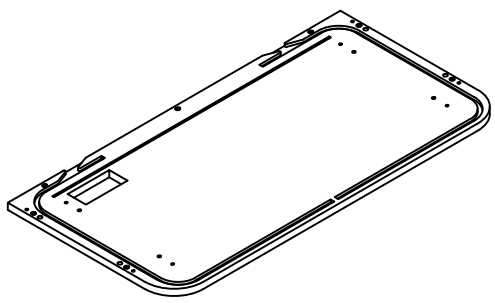
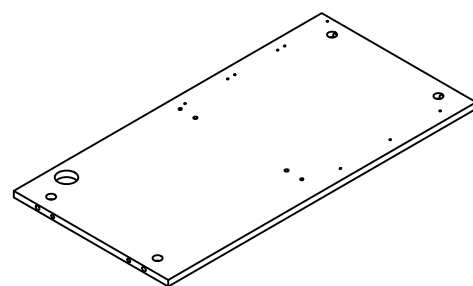
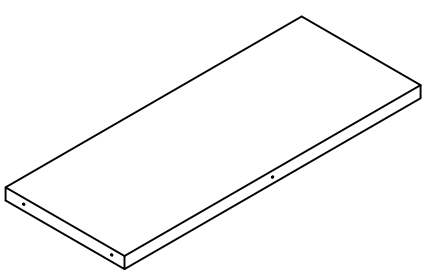
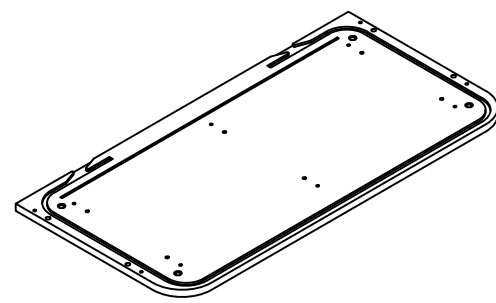
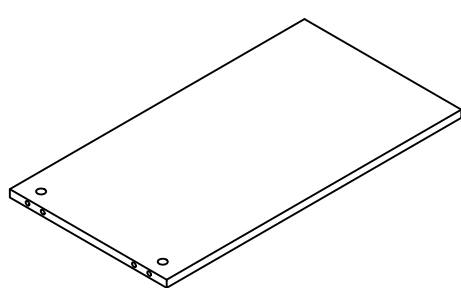
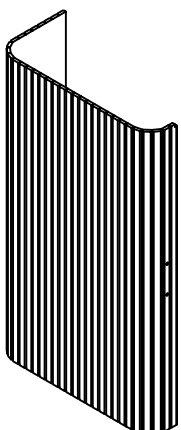
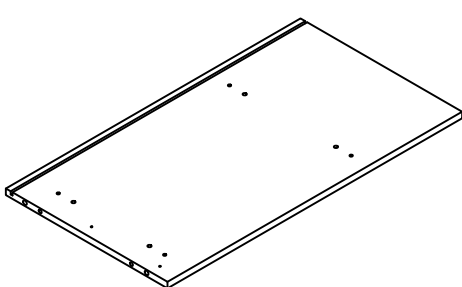
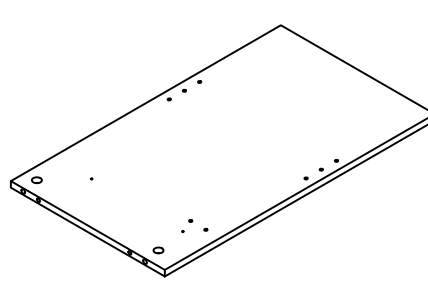
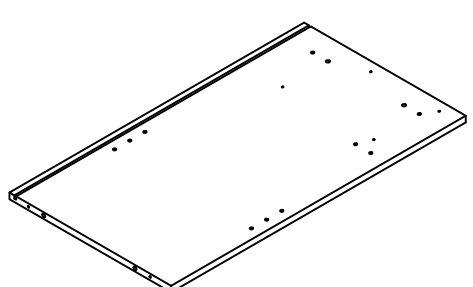
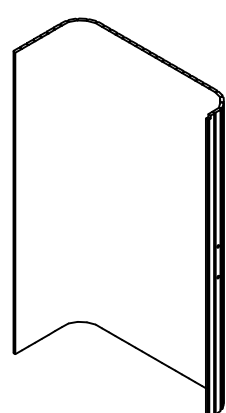
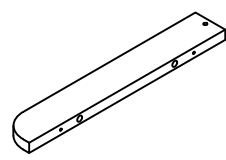
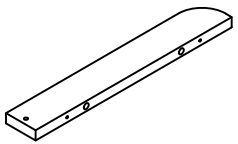
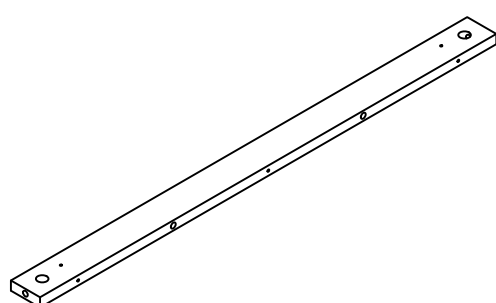
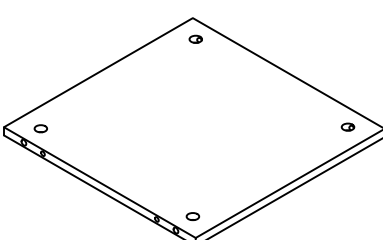
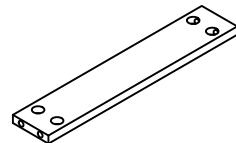
1. There are many components and accessories in the package. Each component and accessory is labeled with a letter or a number, check carefully before using any of them. Keep them away from children to prevent accidents.
2. Please install the product on a clean and soft underlay (such as carpet or cardboard) to avoid scratching or damaging the surface of the product.
3. The main components of the product is relatively heavy. Please pay attention to safety during installation.
4. The product is not stable during installation. Please do not move it randomly before it is completely installed.
5. This product requires two people to install.
6. If you have any questions during installation, please contact the customer service in time.

*PLEASE BE SURE TO FOLLOW THE INSTALLATION STEPS IN THE MANUAL TO AVOID UNNECESSARY LOSSES CAUSED BY IMPROPER INSTALLATION.

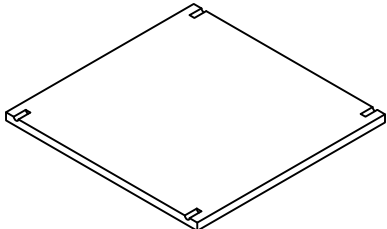
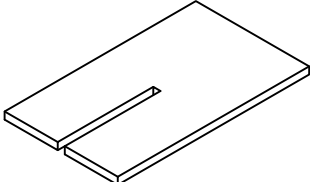
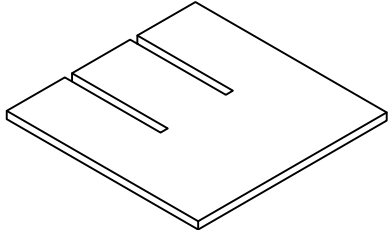
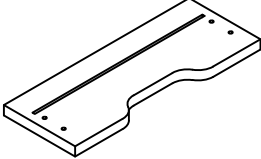
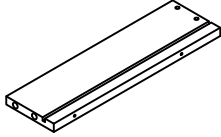
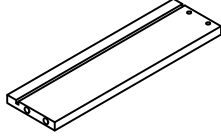
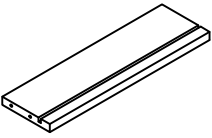
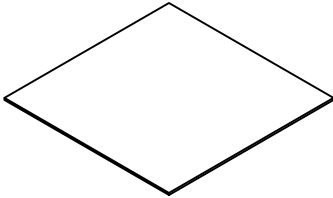
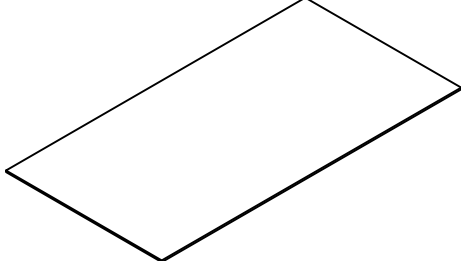
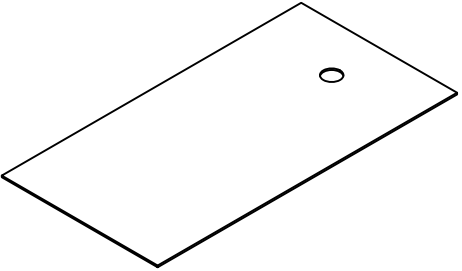

*IF YOU NEED FURTHER ASSISTANCE, PLEASE CONTACT THE CUSTOMER SERVICE ONLINE.





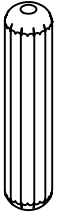

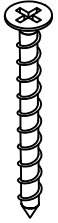


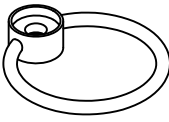
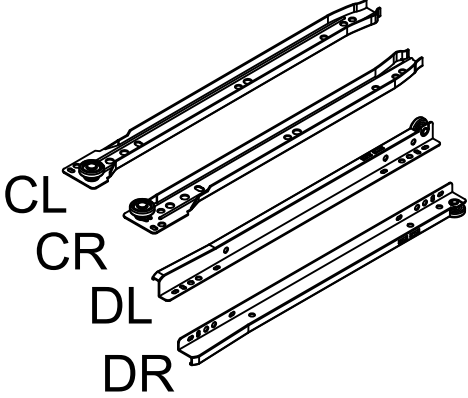
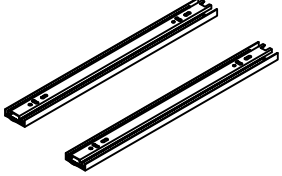

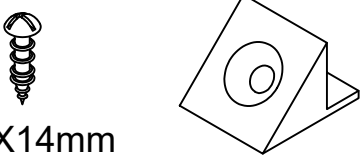
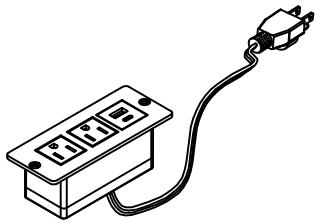
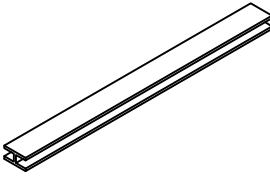
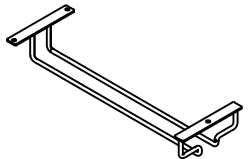
Parts List

<p>①</p>  <p>X1</p>	<p>②</p>  <p>X1</p>	<p>③</p>  <p>X1</p>
<p>④</p>  <p>X1</p>	<p>⑤</p>  <p>X2</p>	<p>⑥</p>  <p>X1</p>
<p>⑦</p>  <p>X1</p>	<p>⑧</p>  <p>X1</p>	<p>⑨</p>  <p>X1</p>
<p>⑩</p>  <p>X1</p>	<p>⑪</p>  <p>X1</p>	<p>⑫</p>  <p>X1</p>
<p>⑬</p>  <p>X1</p>	<p>⑭</p>  <p>X1</p>	<p>⑮</p>  <p>X1</p>

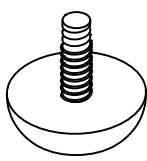
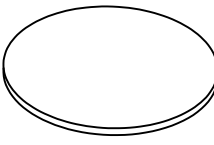
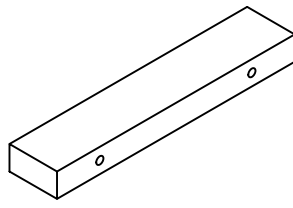
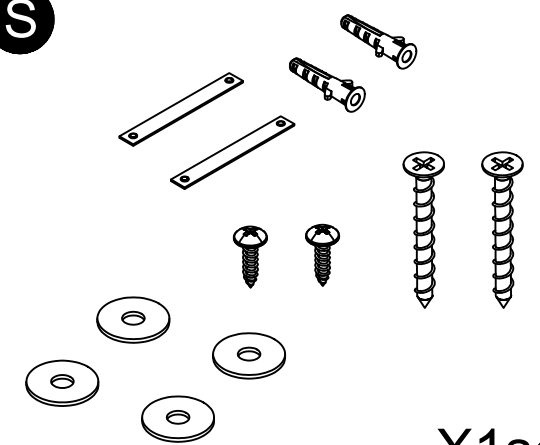
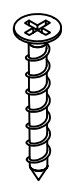
Parts List

<p>①⑥</p>  <p>X1</p>	<p>①⑦</p>  <p>X2</p>	<p>①⑧</p>  <p>X1</p>
<p>①⑨</p>  <p>X1</p>	<p>②⑦</p>  <p>X1</p>	<p>②⑧</p>  <p>X1</p>
<p>②②</p>  <p>X1</p>	<p>②③</p>  <p>X1</p>	<p>②④</p>  <p>X1</p>
<p>②⑤</p>  <p>X1</p>	<p>②⑥</p>  <p>X4</p>	

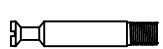
Hardware List

<p>A</p>  <p>Ø15X9.5mm X28</p>	<p>B</p>  <p>Ø6.5X35mm X28</p>	<p>C</p>  <p>Ø8X30mm X14</p>
<p>D</p>  <p>Ø6X30mm X20</p>	<p>E</p>  <p>Ø4X35mm X21</p>	<p>F</p>  <p>Ø3.5X12mm X27</p>
<p>G</p>  <p>Ø3X16mm X1</p>	<p>H</p>  <p>Ø28(Ø10)mm X1</p>	<p>I</p>  <p>CL CR DL DR 250mm X1set</p>
<p>J</p>  <p>250mm X1set</p>	<p>K</p>  <p>Ø5X25mm X4</p>	<p>L</p>  <p>Ø3X14mm X8set</p>
<p>M</p>  <p>125.7X50mm X1</p>	<p>N</p>  <p>618X12X6.5mm X1</p>	<p>O</p>  <p>X3</p>

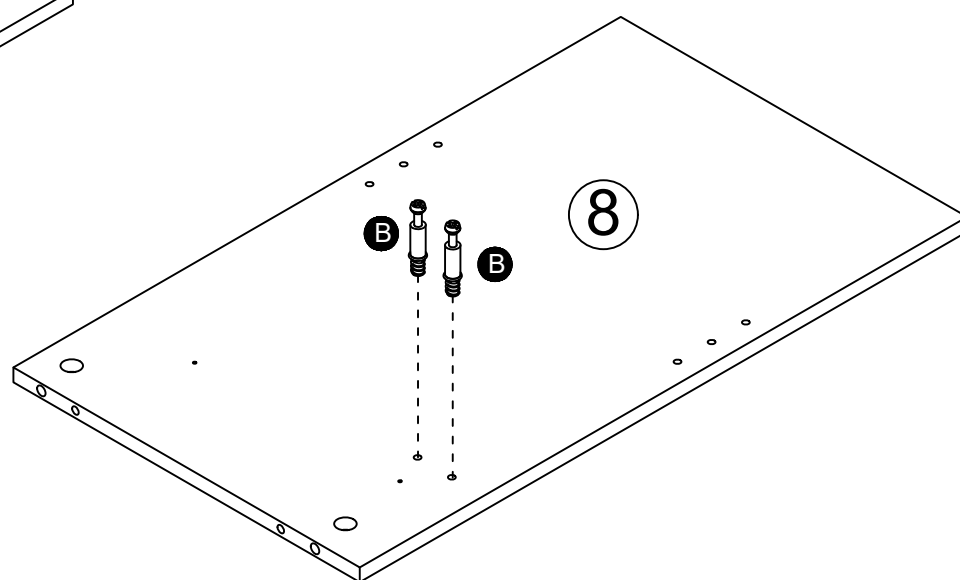
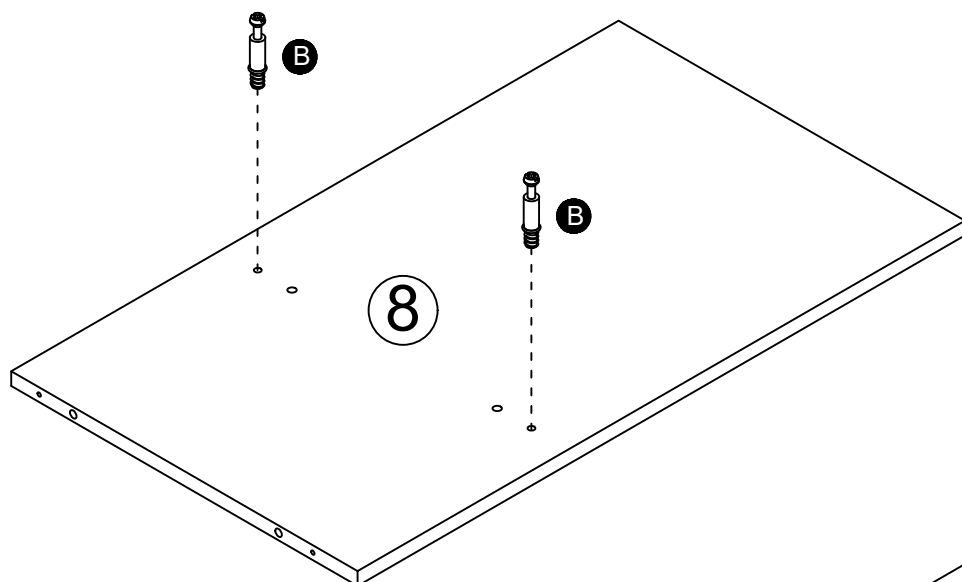
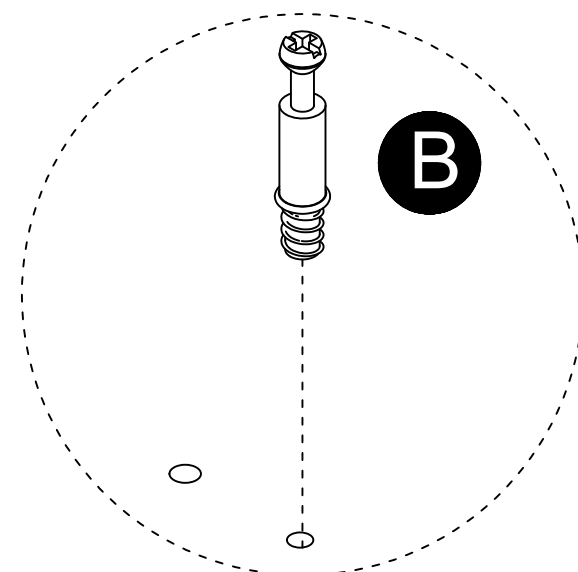
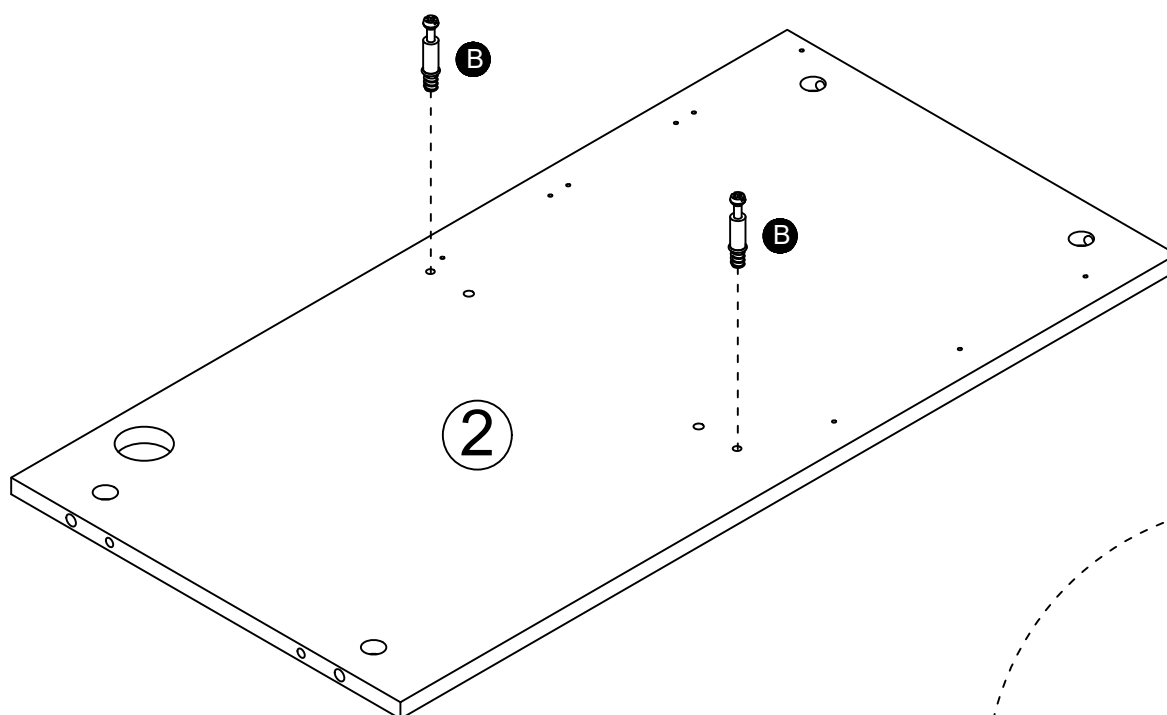
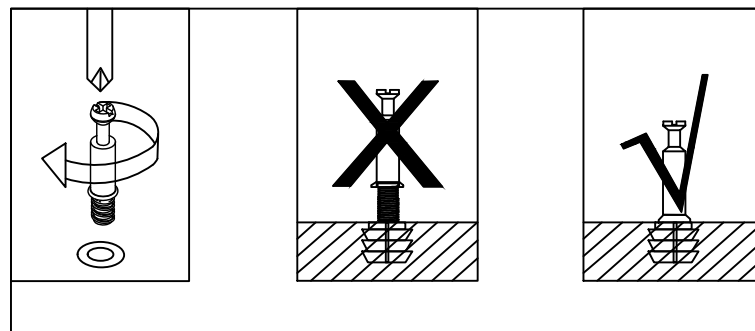
Hardware List

<p>P</p>  <p>Ø20X21mm X4</p>	<p>Q</p>  <p>Ø21 X22</p>	<p>R</p>  <p>100X20X11mm X2</p>
<p>S</p>  <p>X1set</p>	<p>T</p>  <p>Ø4X22mm X4</p>	

STEP 1



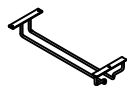
B X6



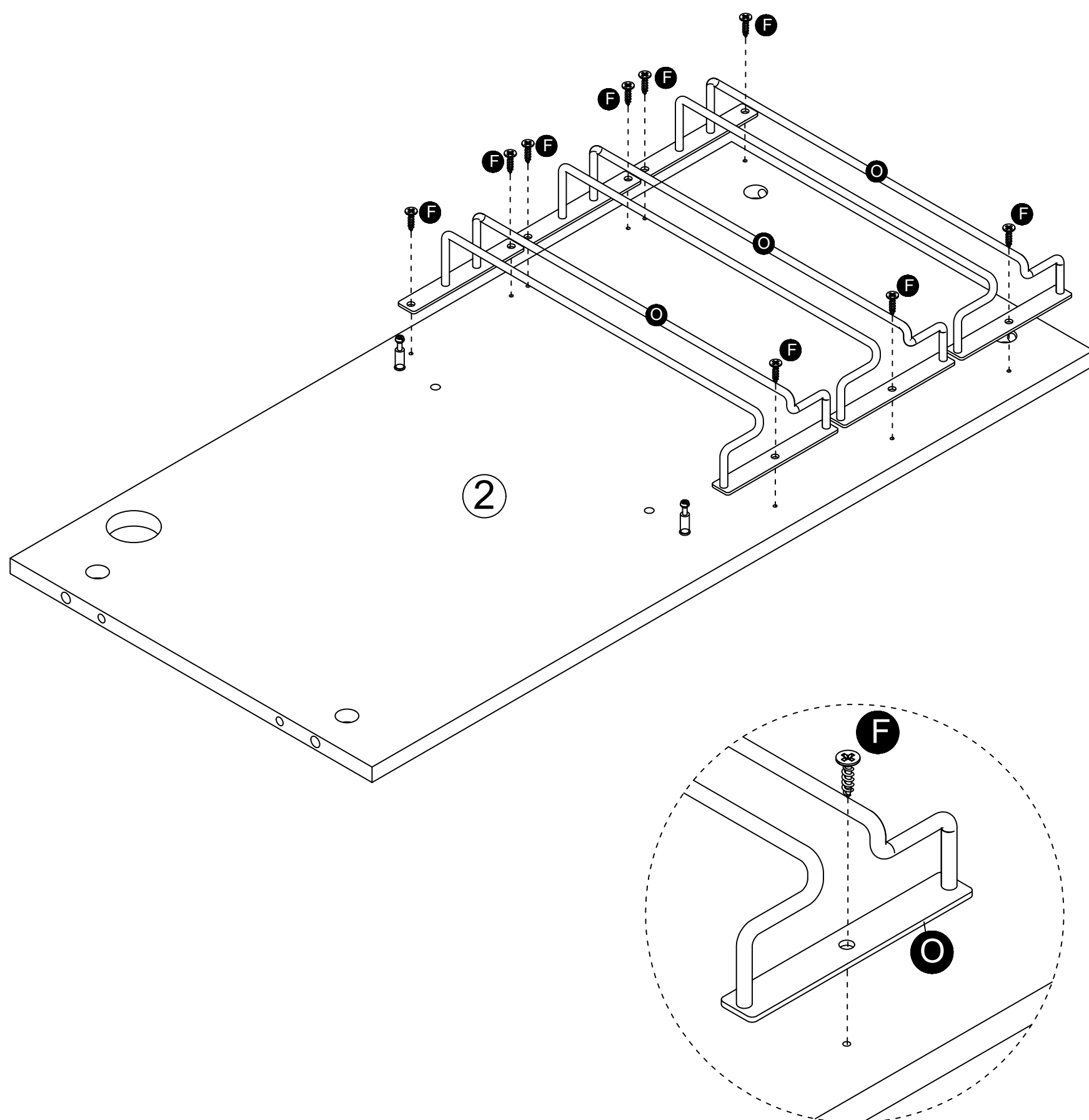
STEP 2



F X9



O X3



STEP 3

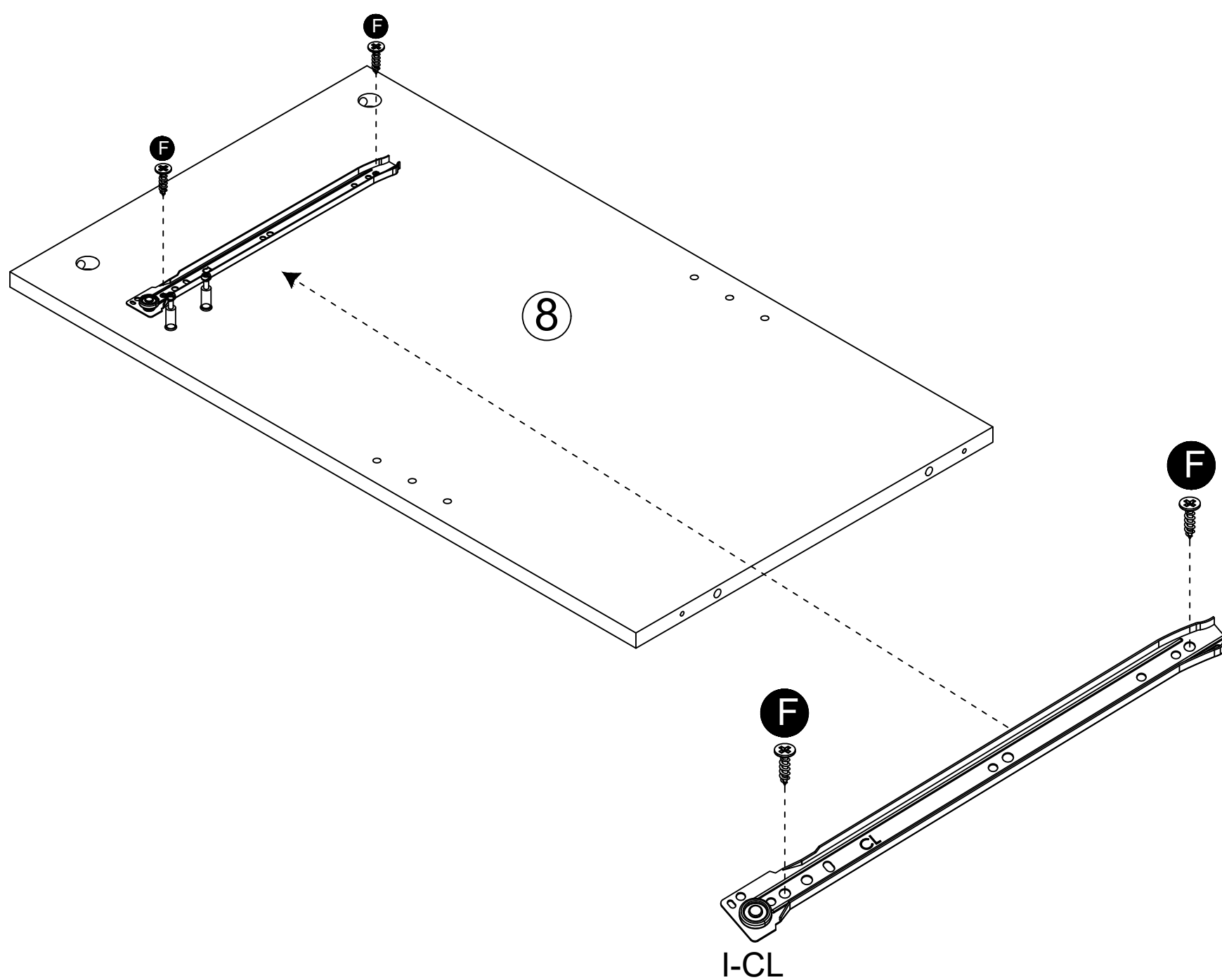


F X2

CL



I X1



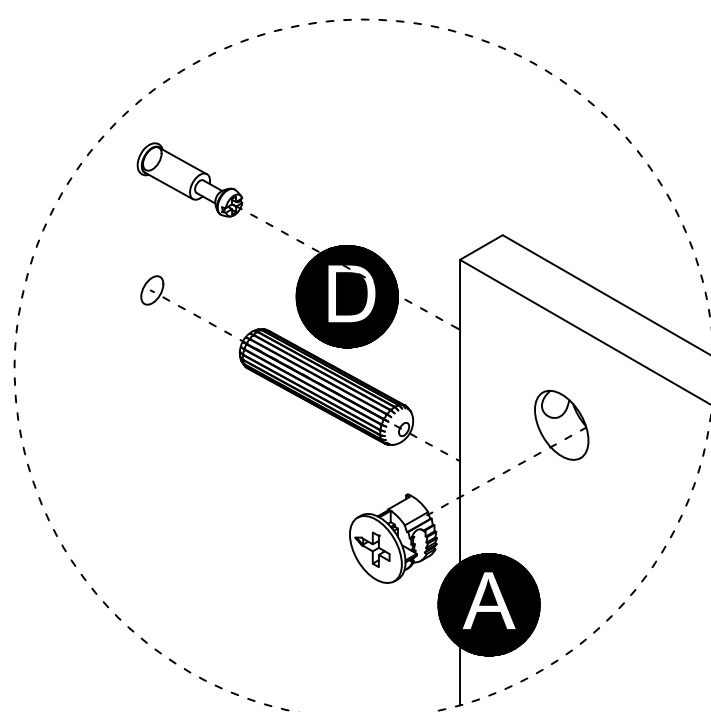
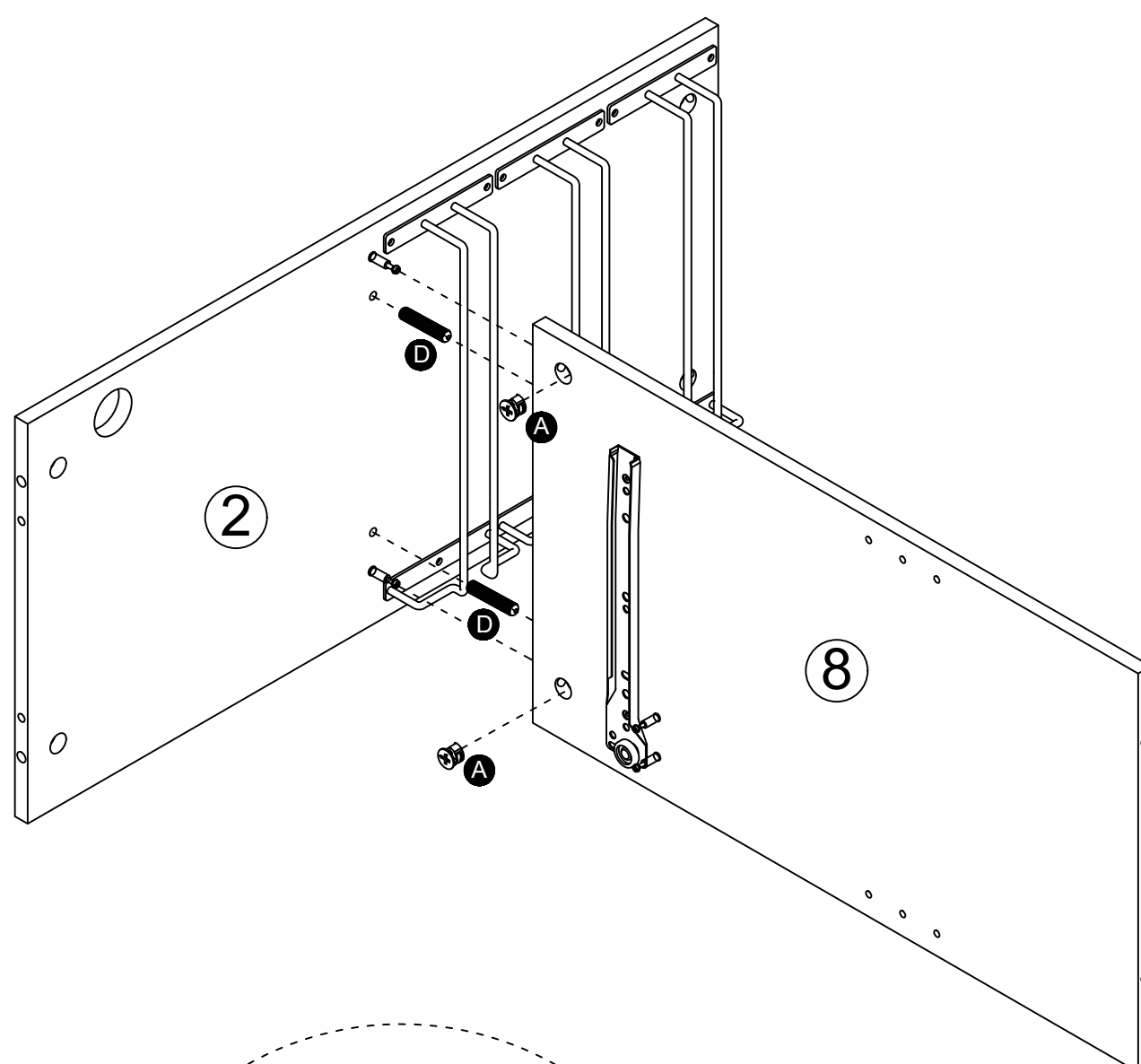
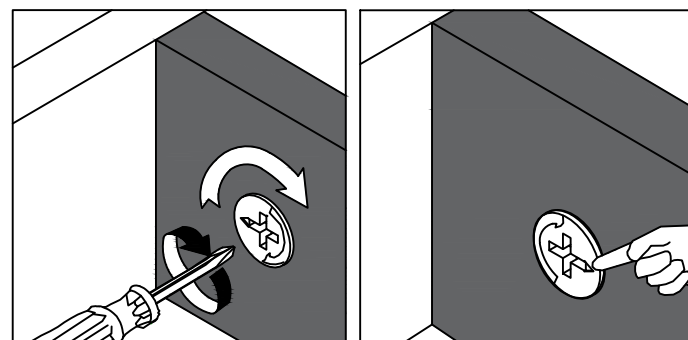
STEP 4



A X2



D X2



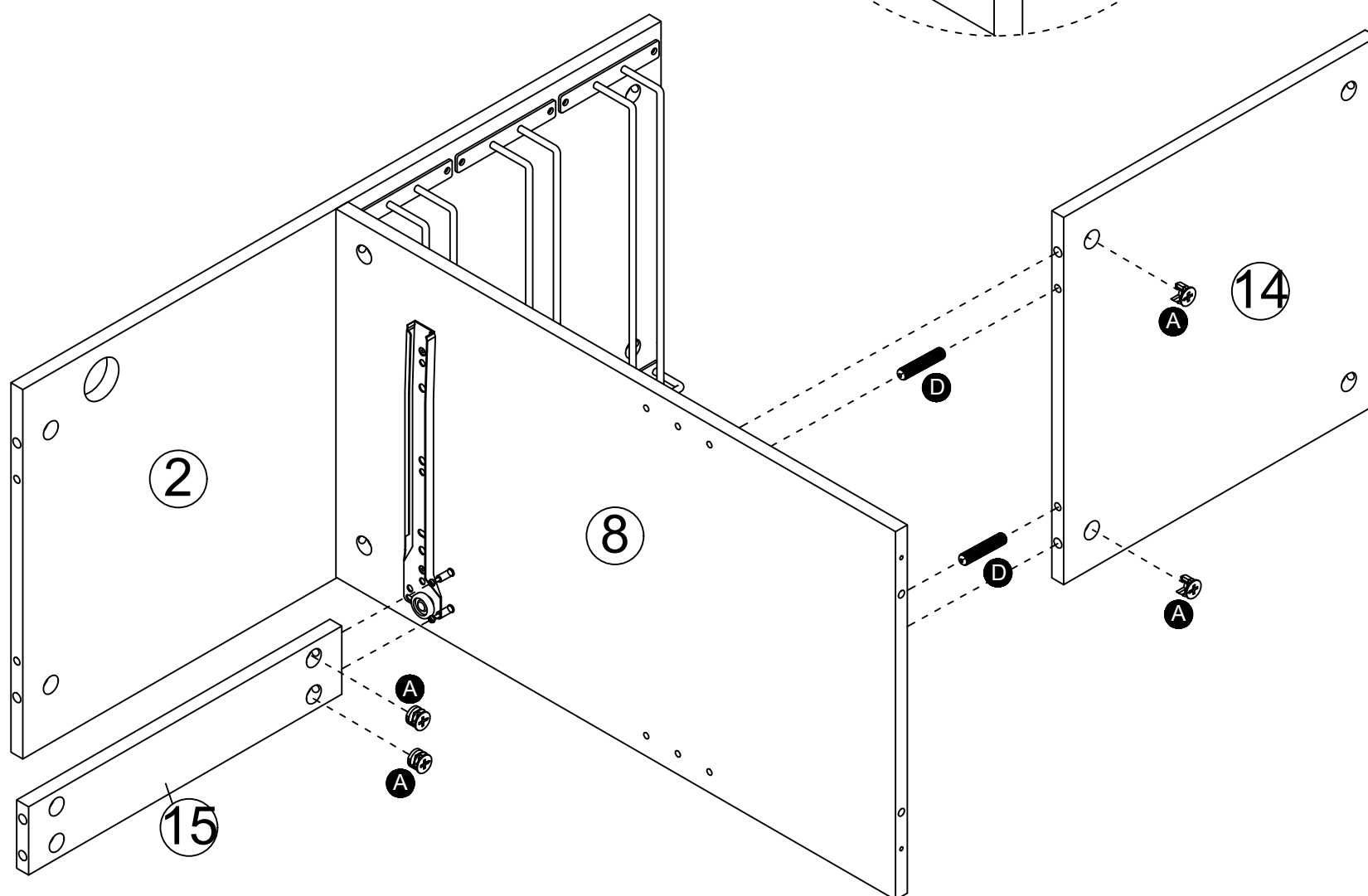
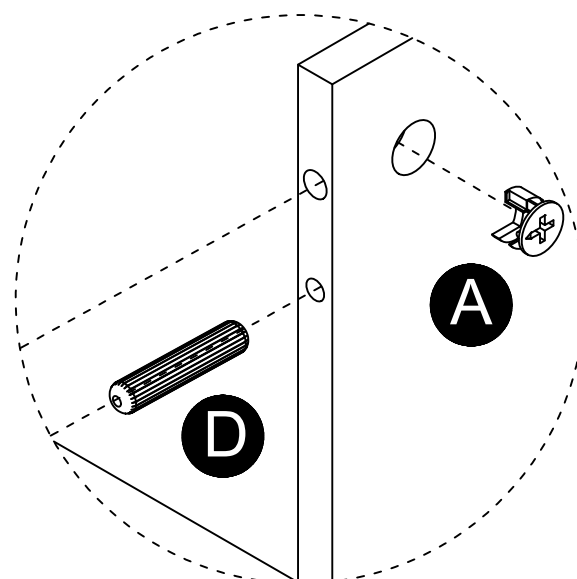
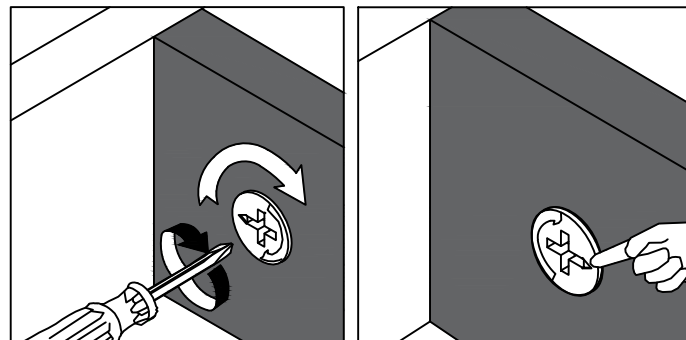
STEP 5



A X4



D X2

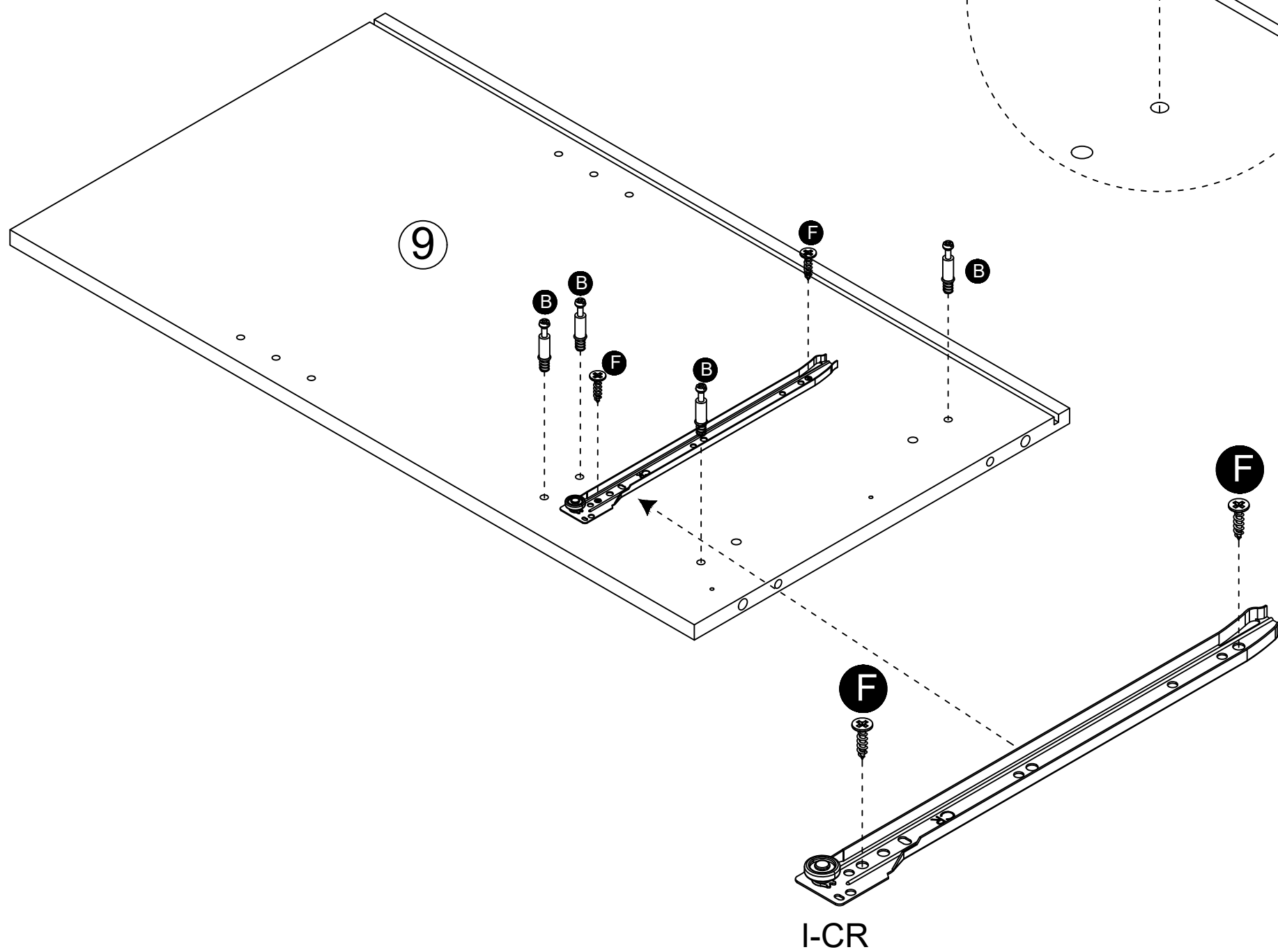
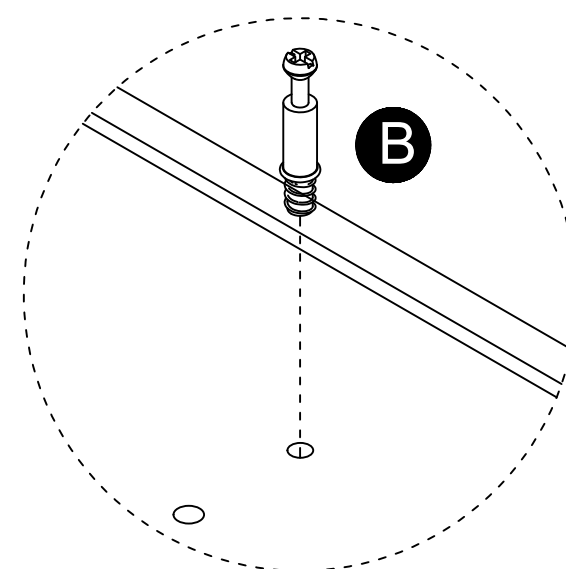
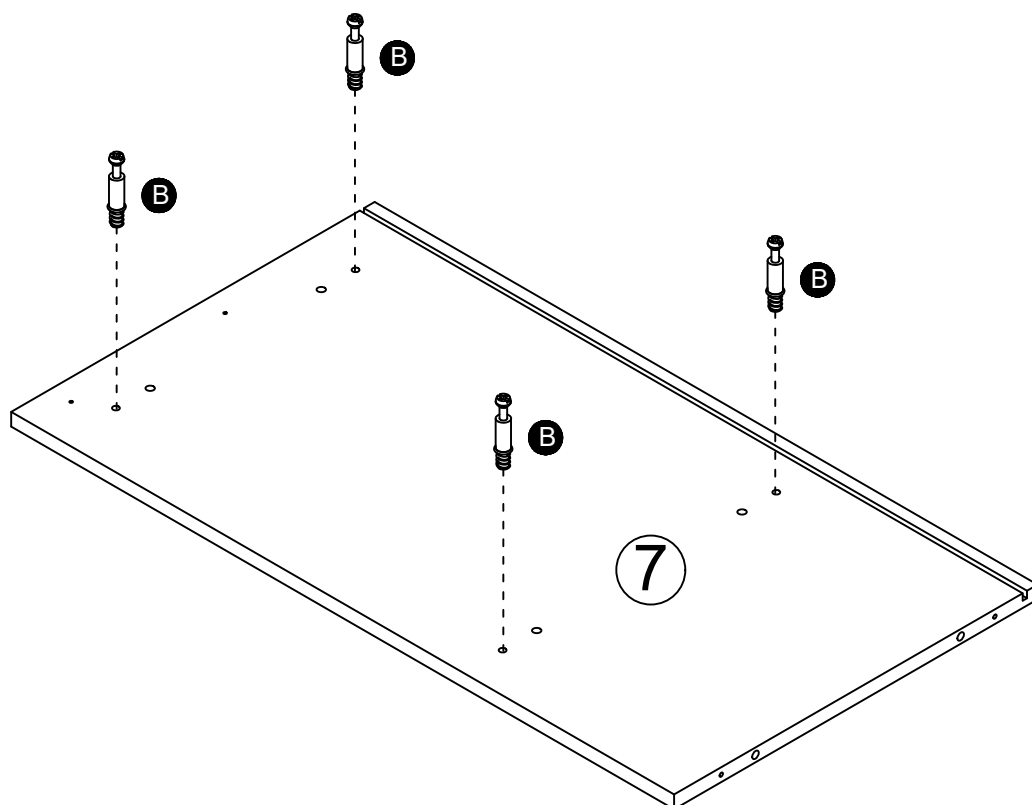
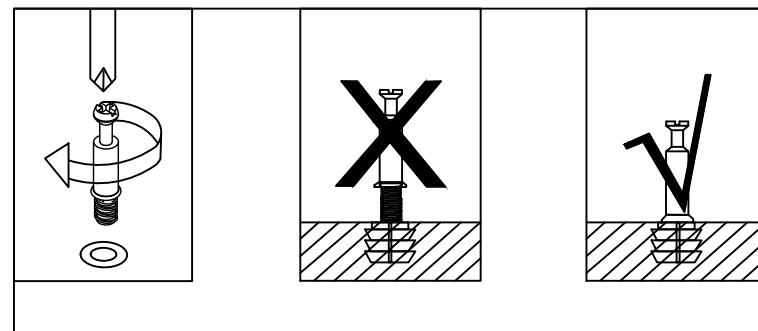


STEP 6

 **B** X8

 **F** X2

CR  **I** X1

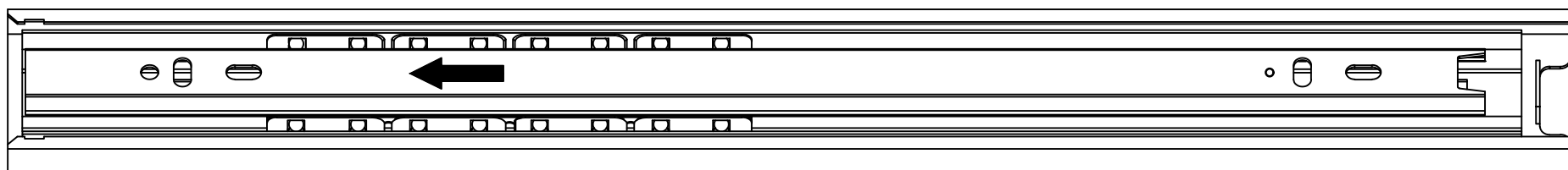


STEP 7

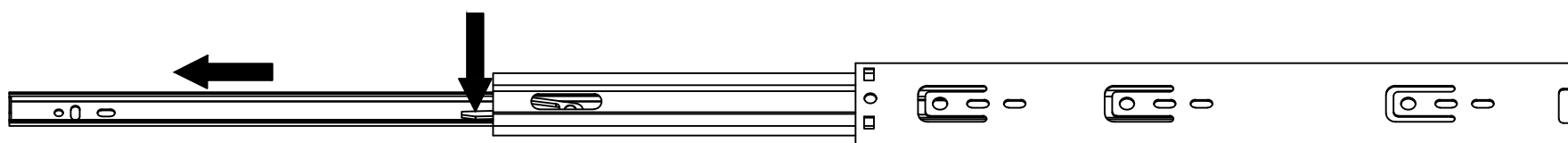
WARNING

How To SEPARATE BALL BEARING SLIDE.

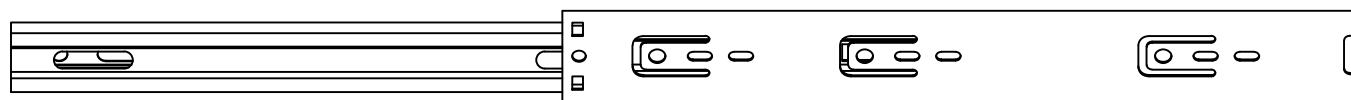
- 1) Pull toward arrow to open the slide until its stops and then flip it over.



- 2) Push plastic lever down and pull apart.



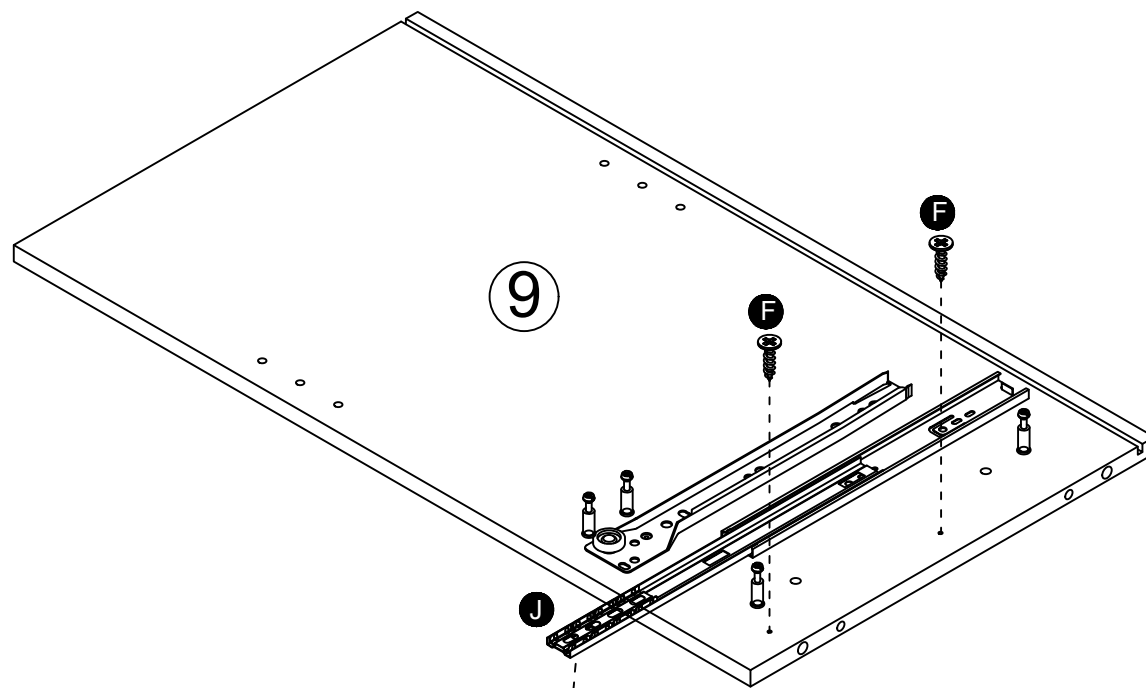
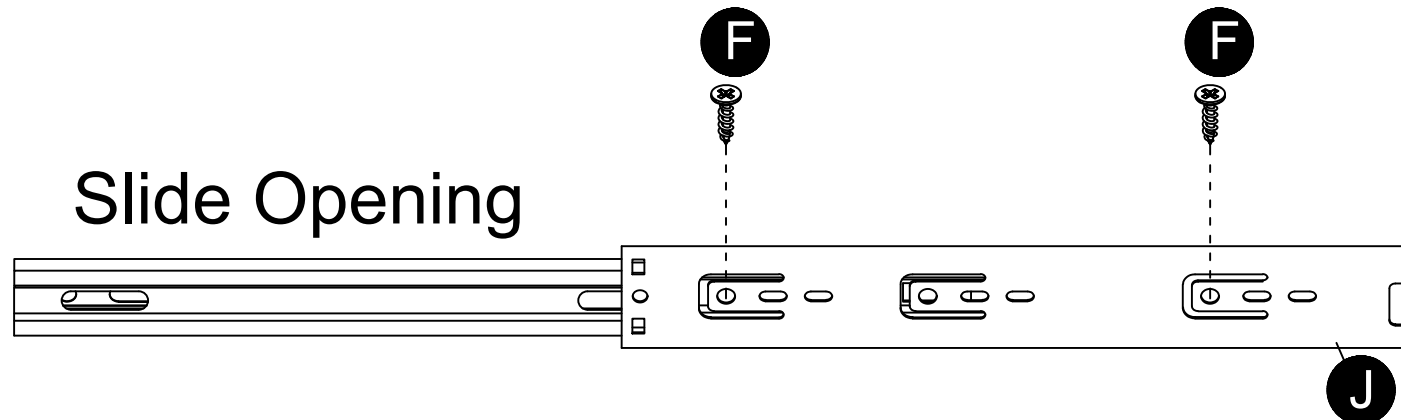
Cabinet Slide Rail



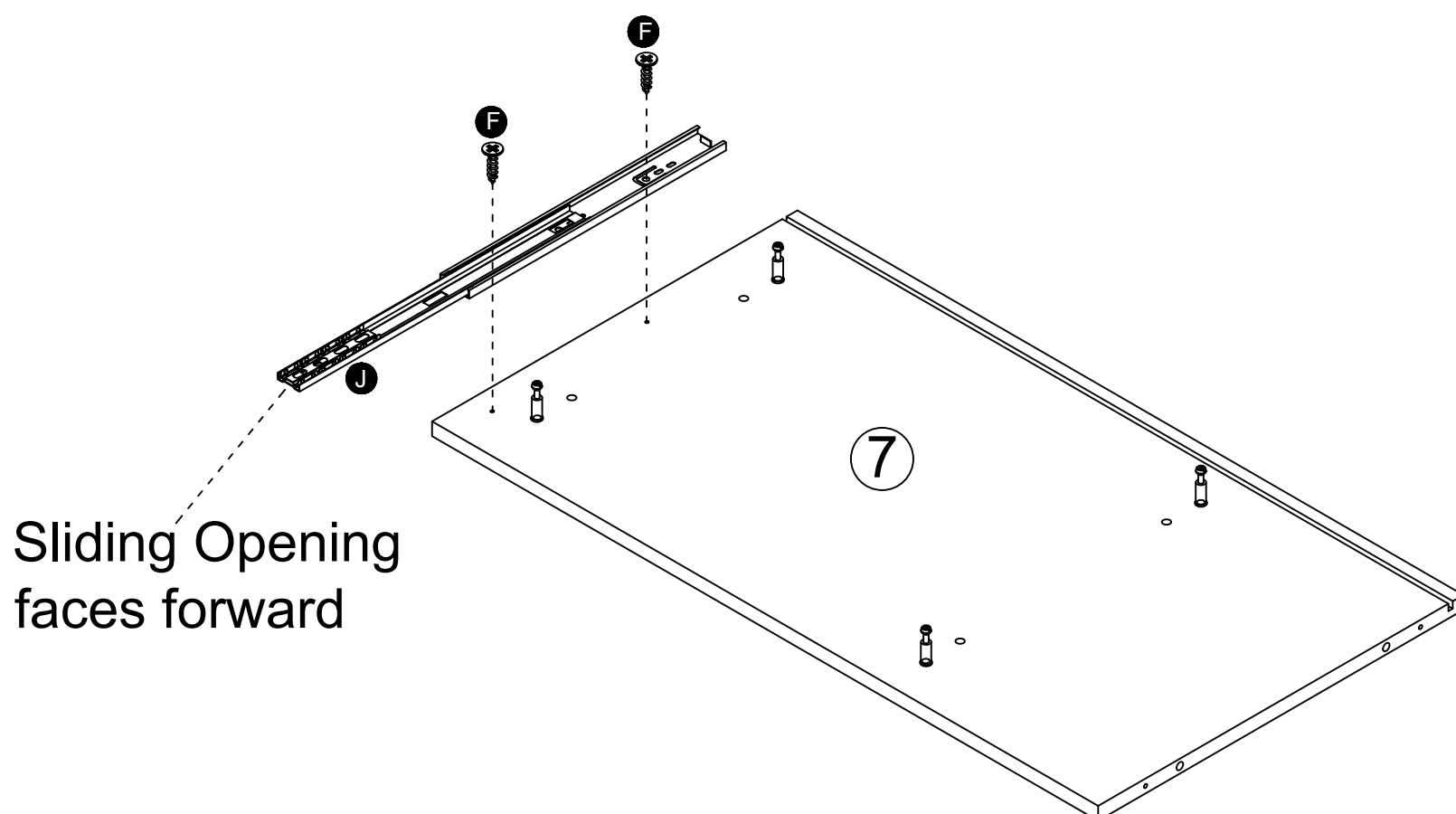
Drawer Slide Rail



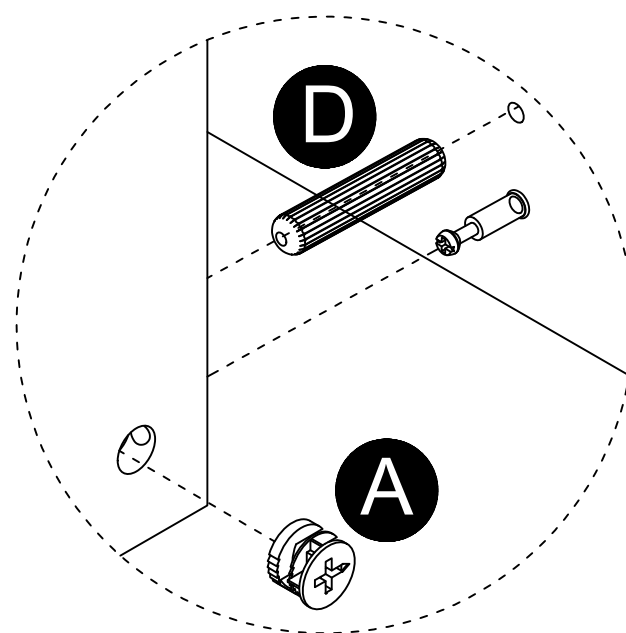
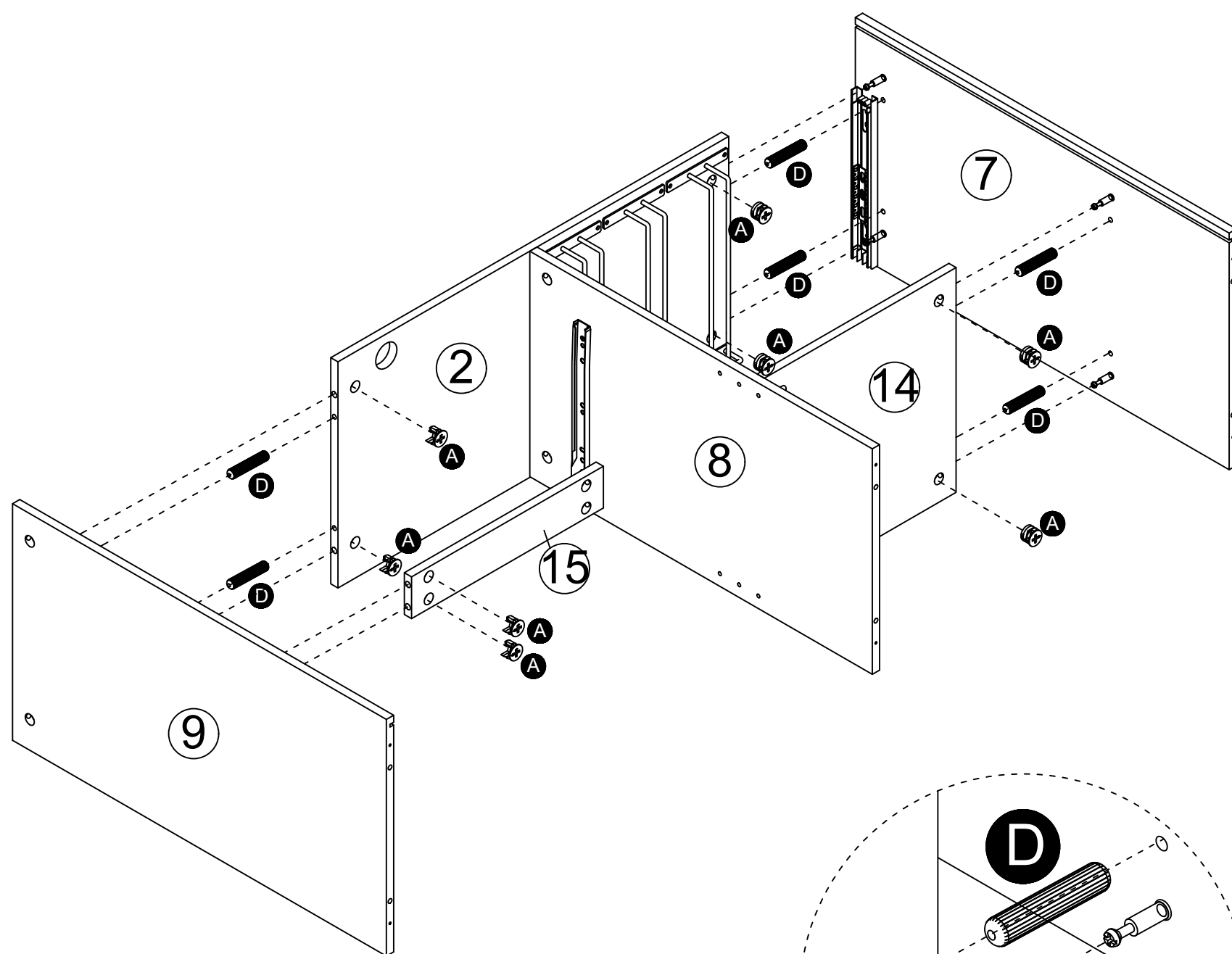
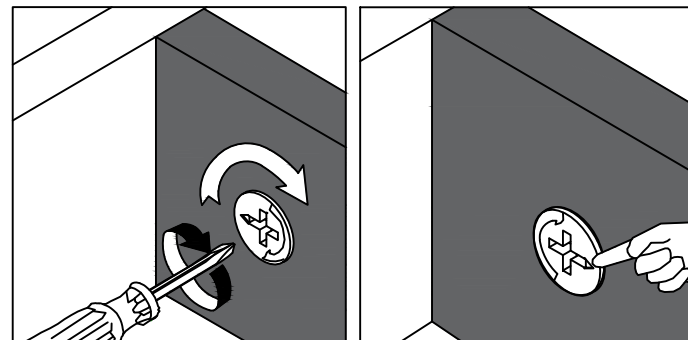
STEP 8

**F** X4**J** X1

Sliding Opening
faces forward



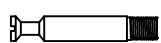
STEP 9

**A** X8**D** X6

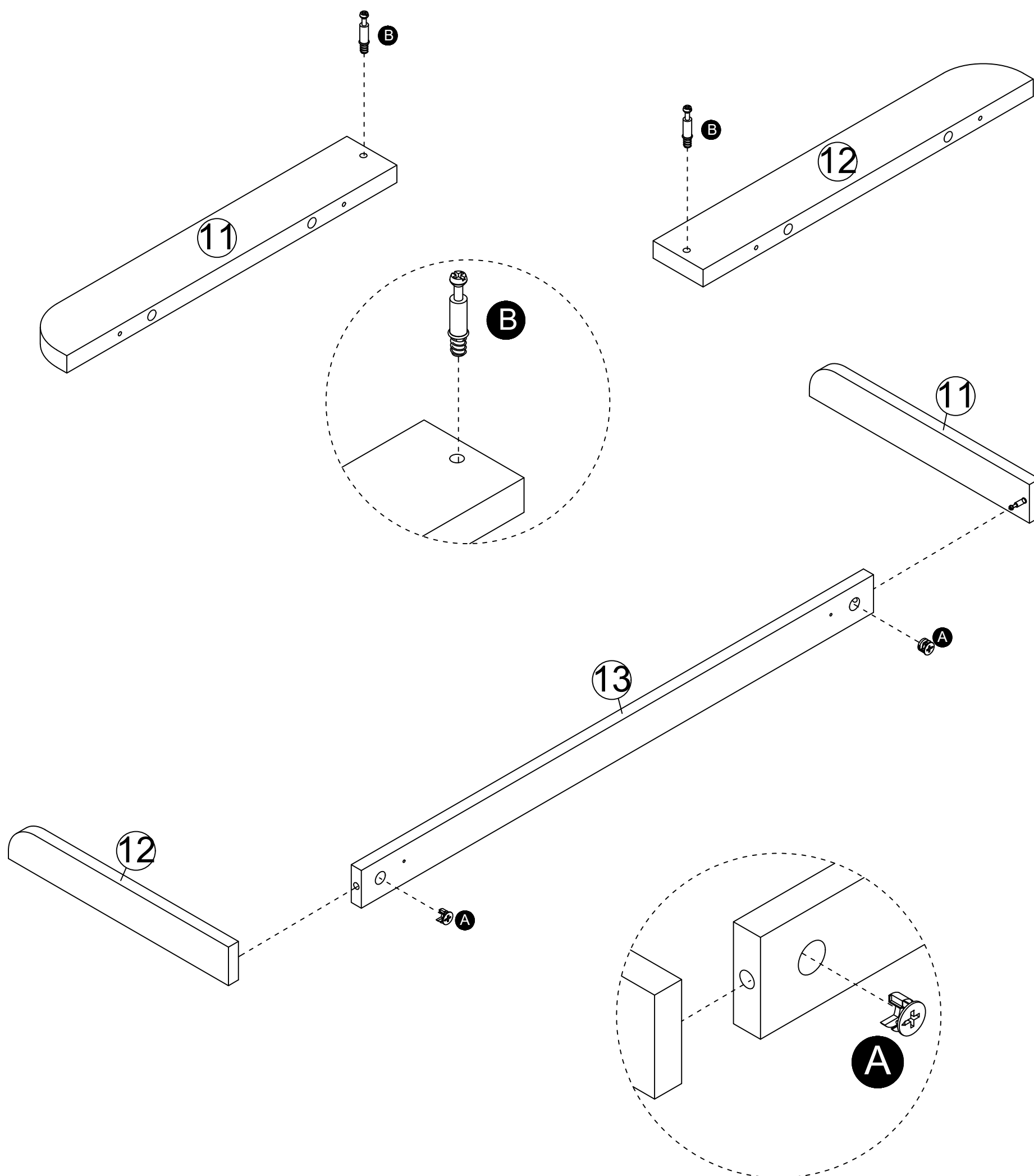
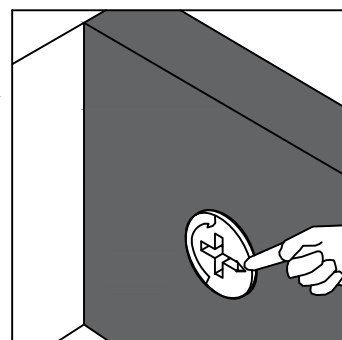
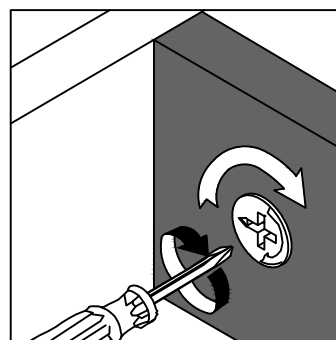
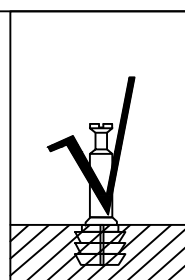
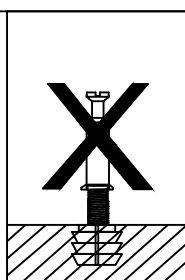
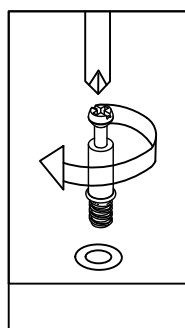
STEP 10



A X2



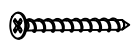
B X2



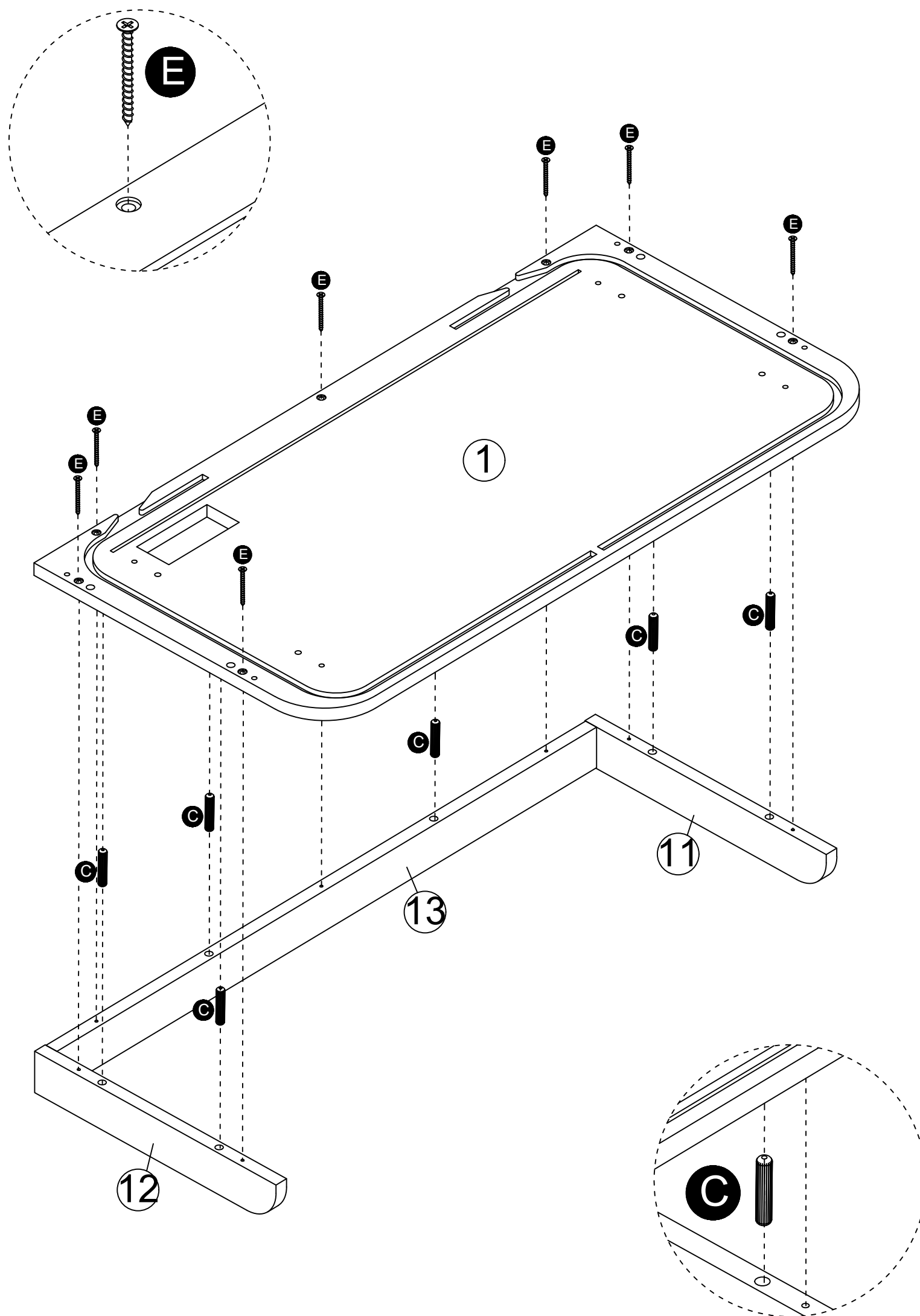
STEP 11



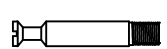
C X6



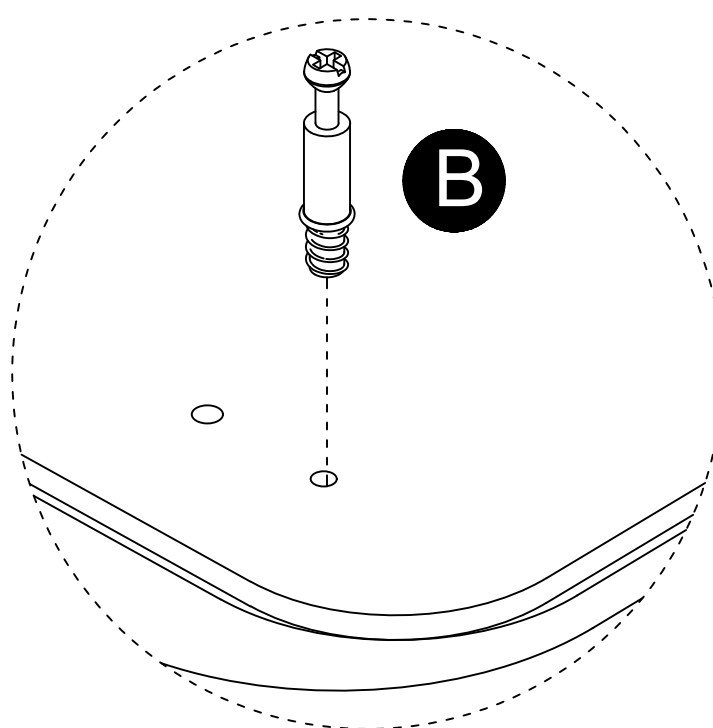
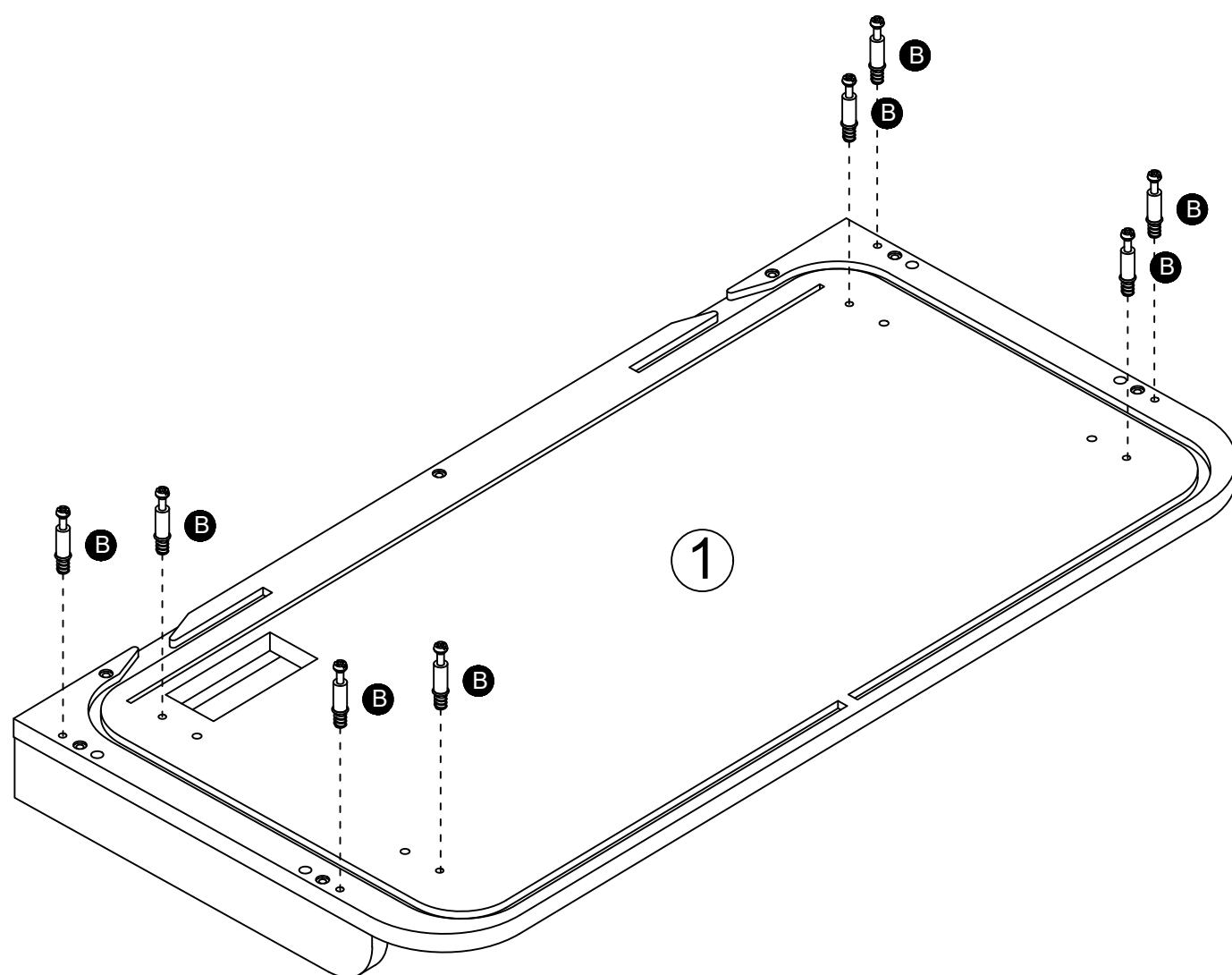
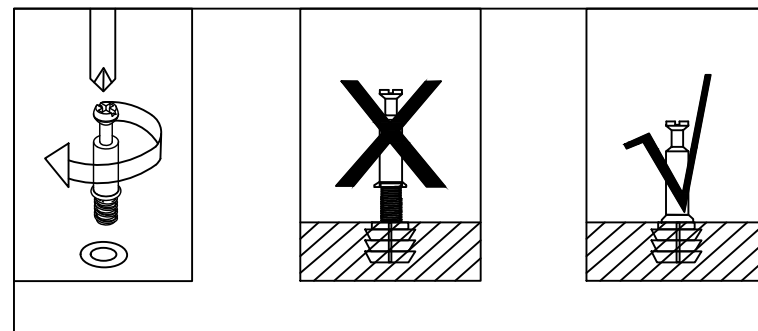
E X7



STEP 12



B X8



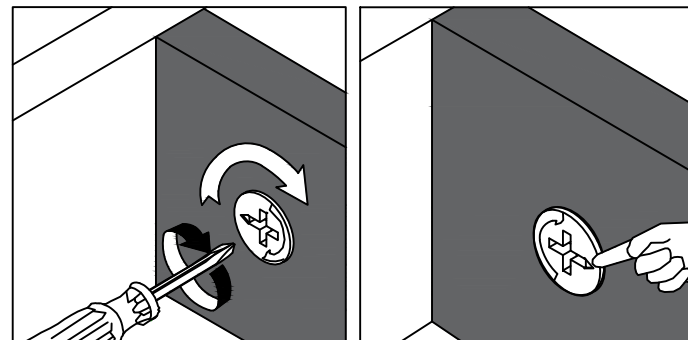
STEP 13



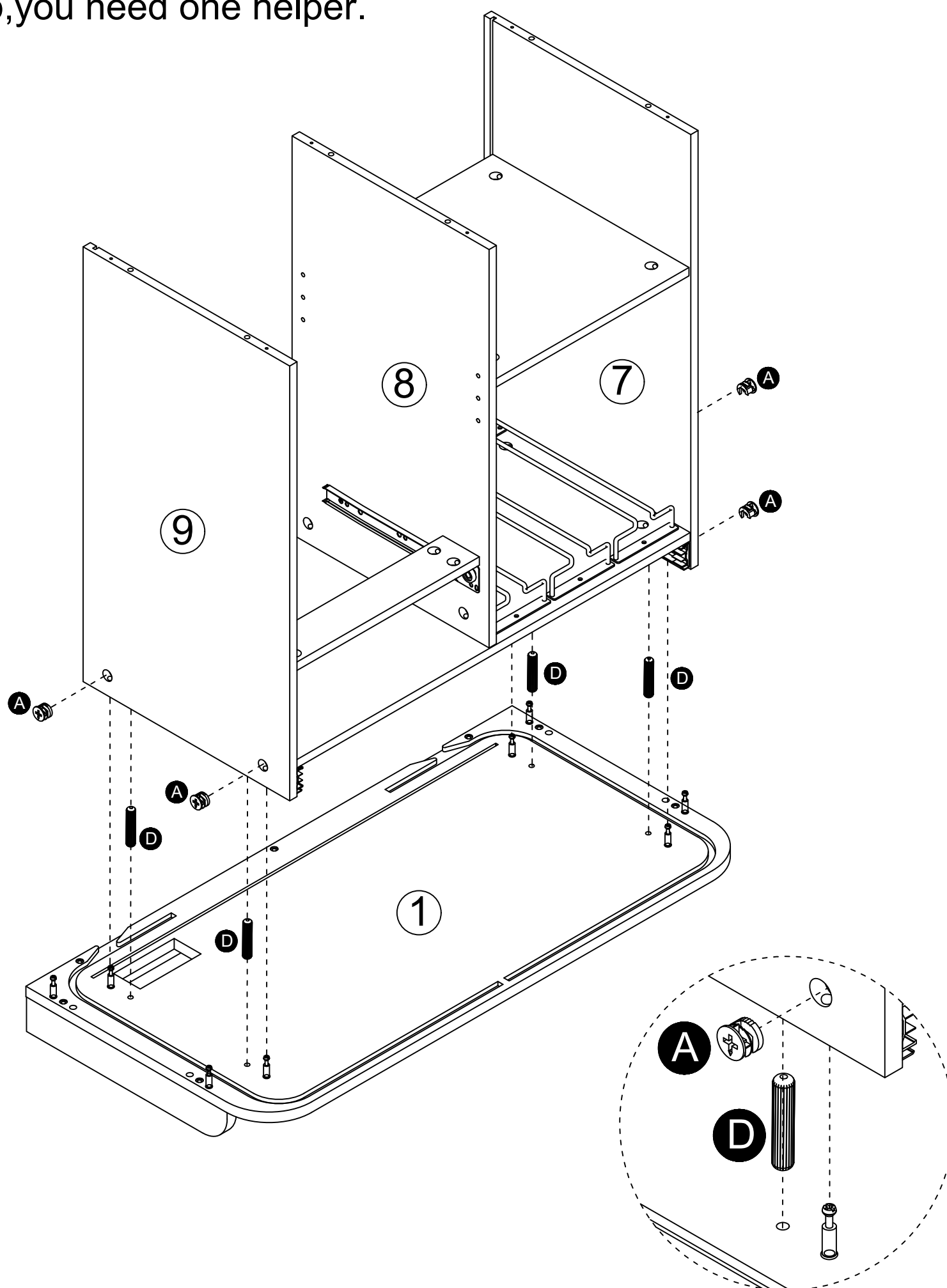
A X4



D X4



For this step, you need one helper.



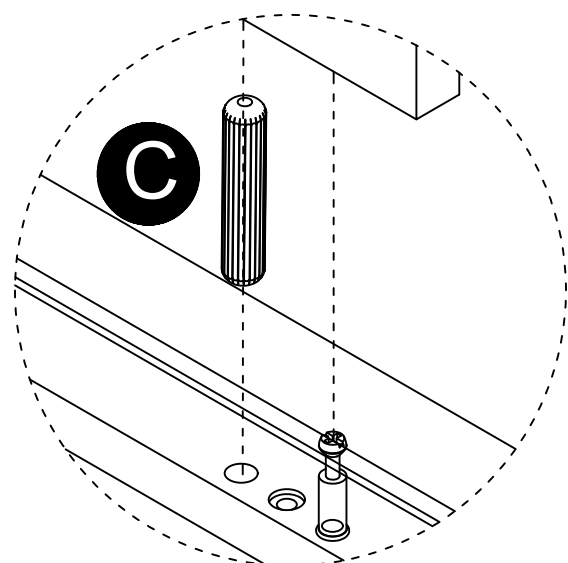
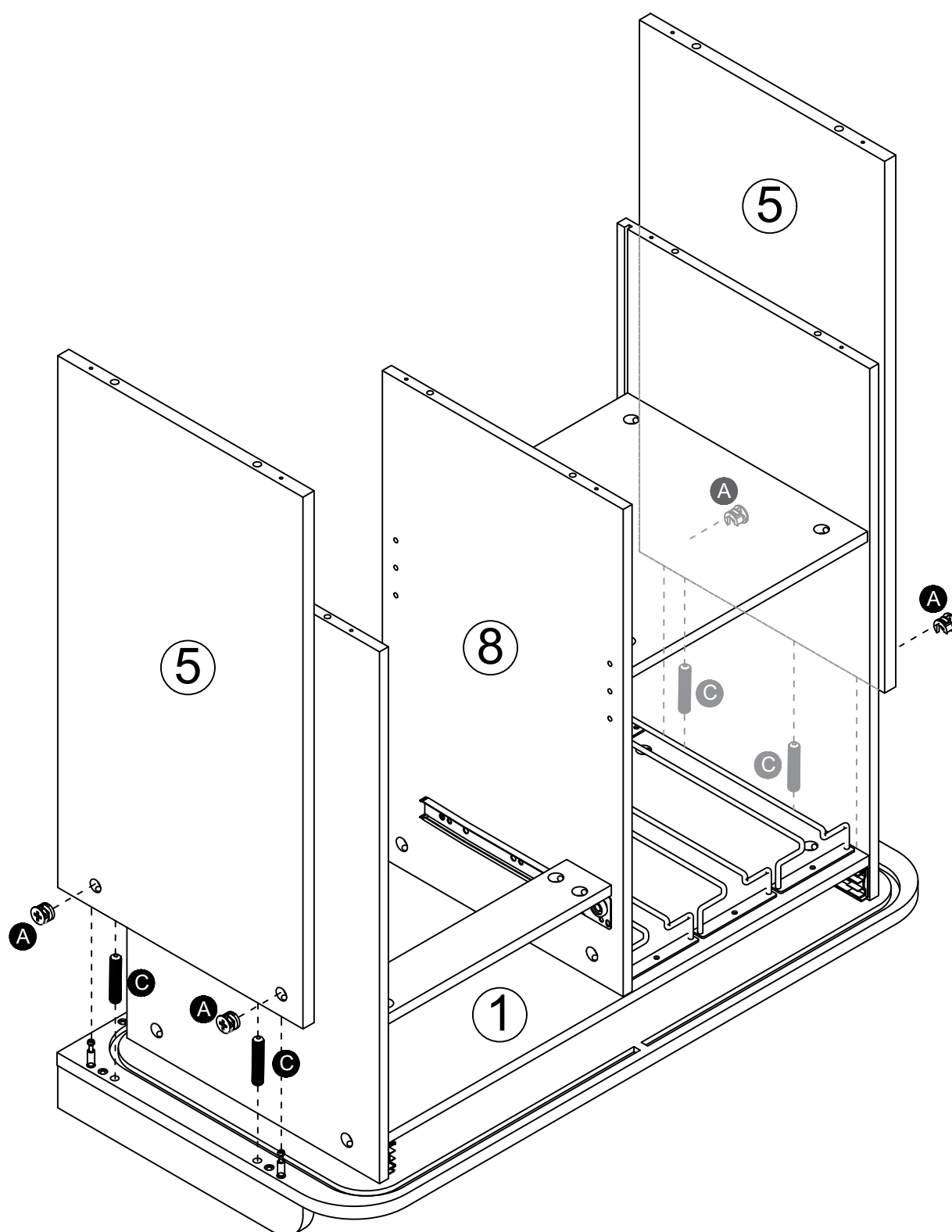
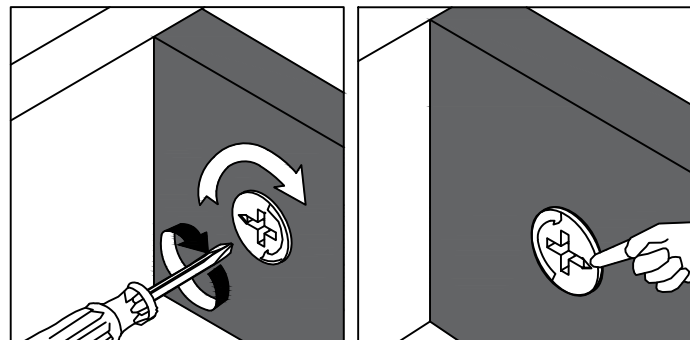
STEP 14



A X4



C X4



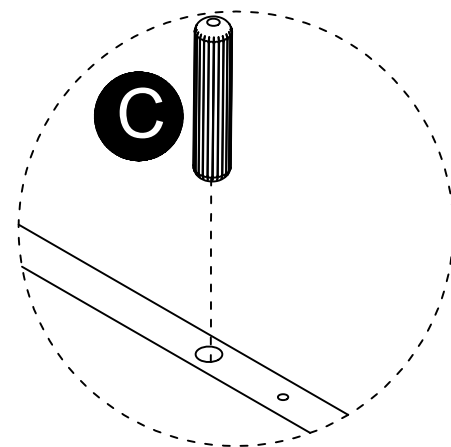
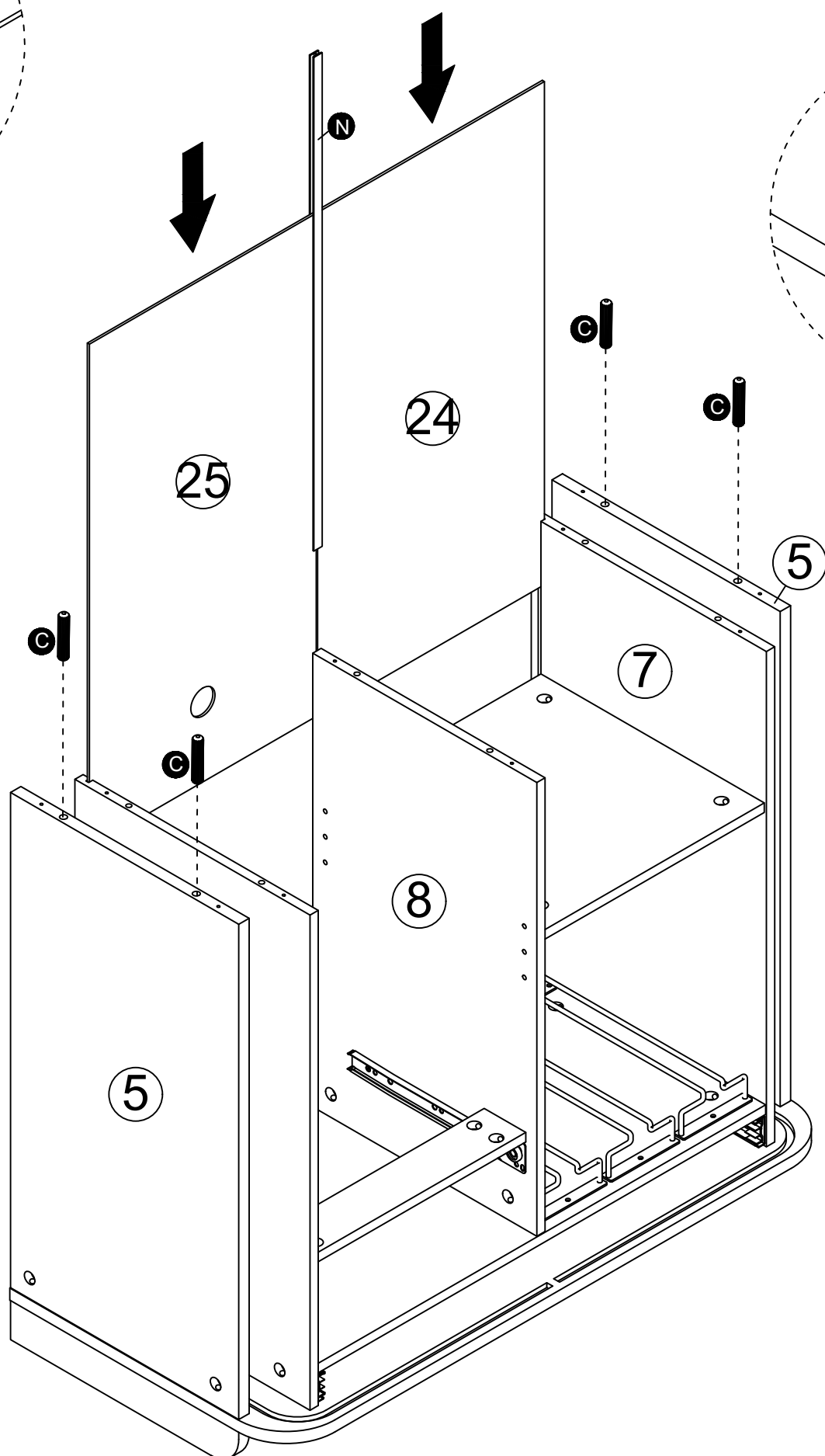
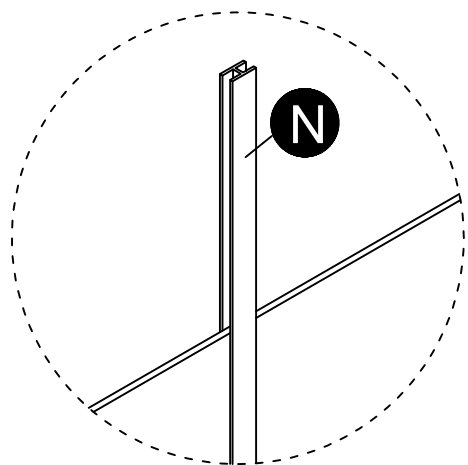
STEP 15



C X4



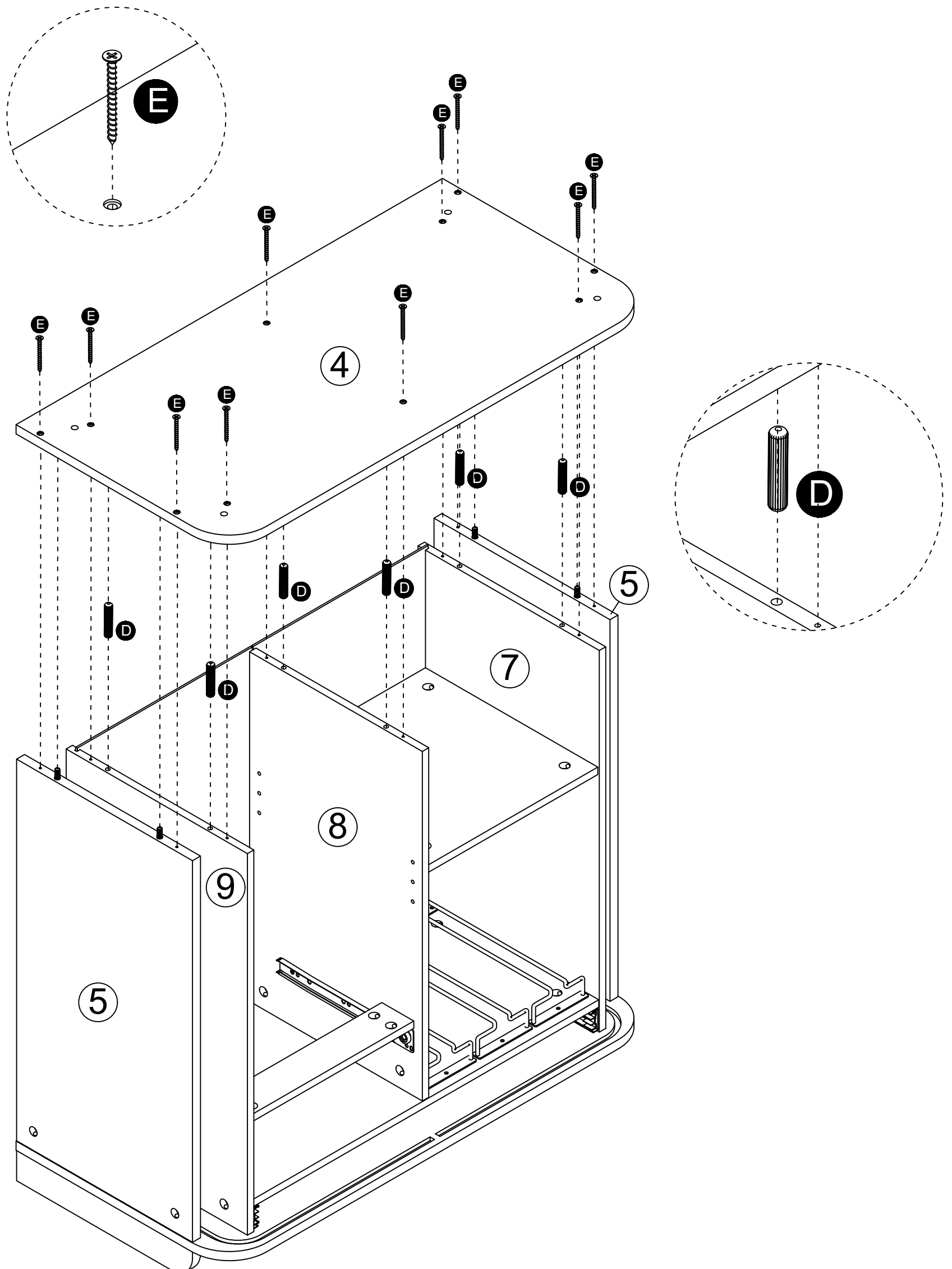
N X1



STEP 16

 **D** X6

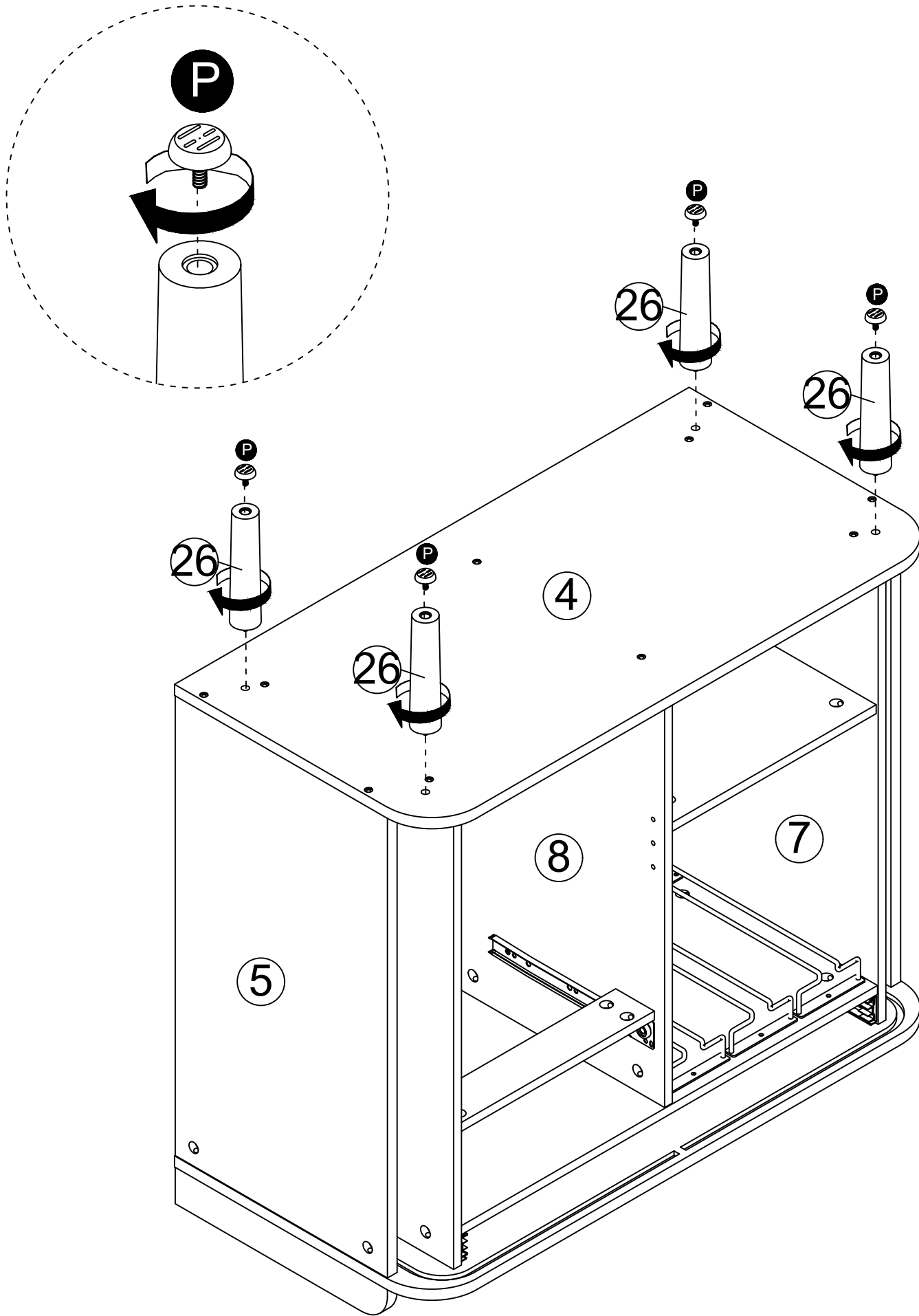
 **E** X10



STEP 17



P X4



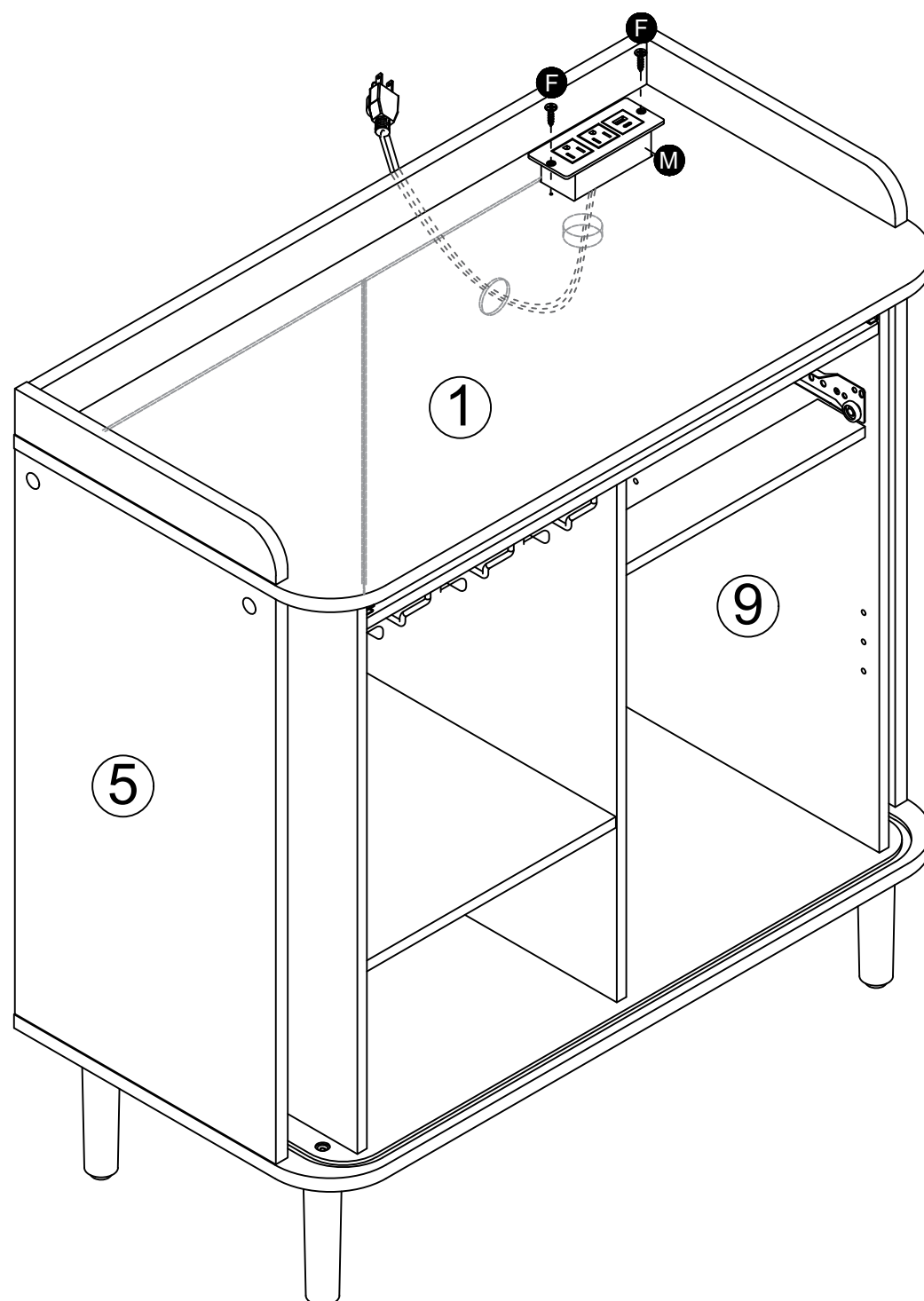
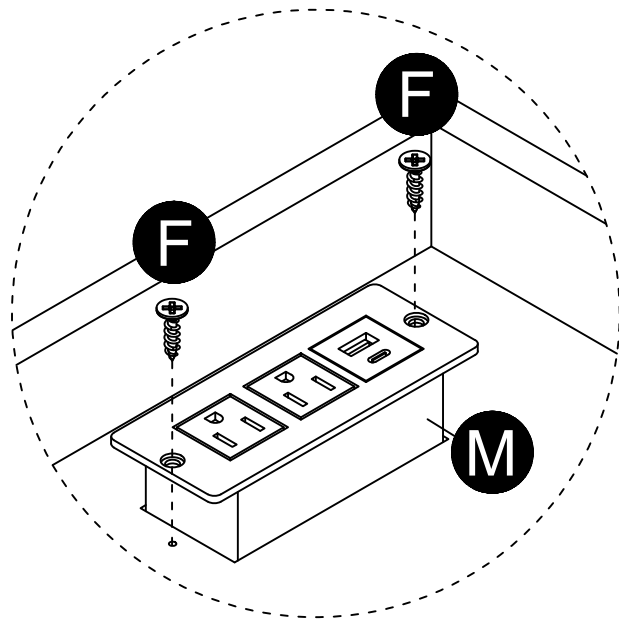
STEP 18



F X2



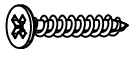
M X1



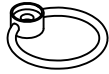
STEP 19



F X4



G X1

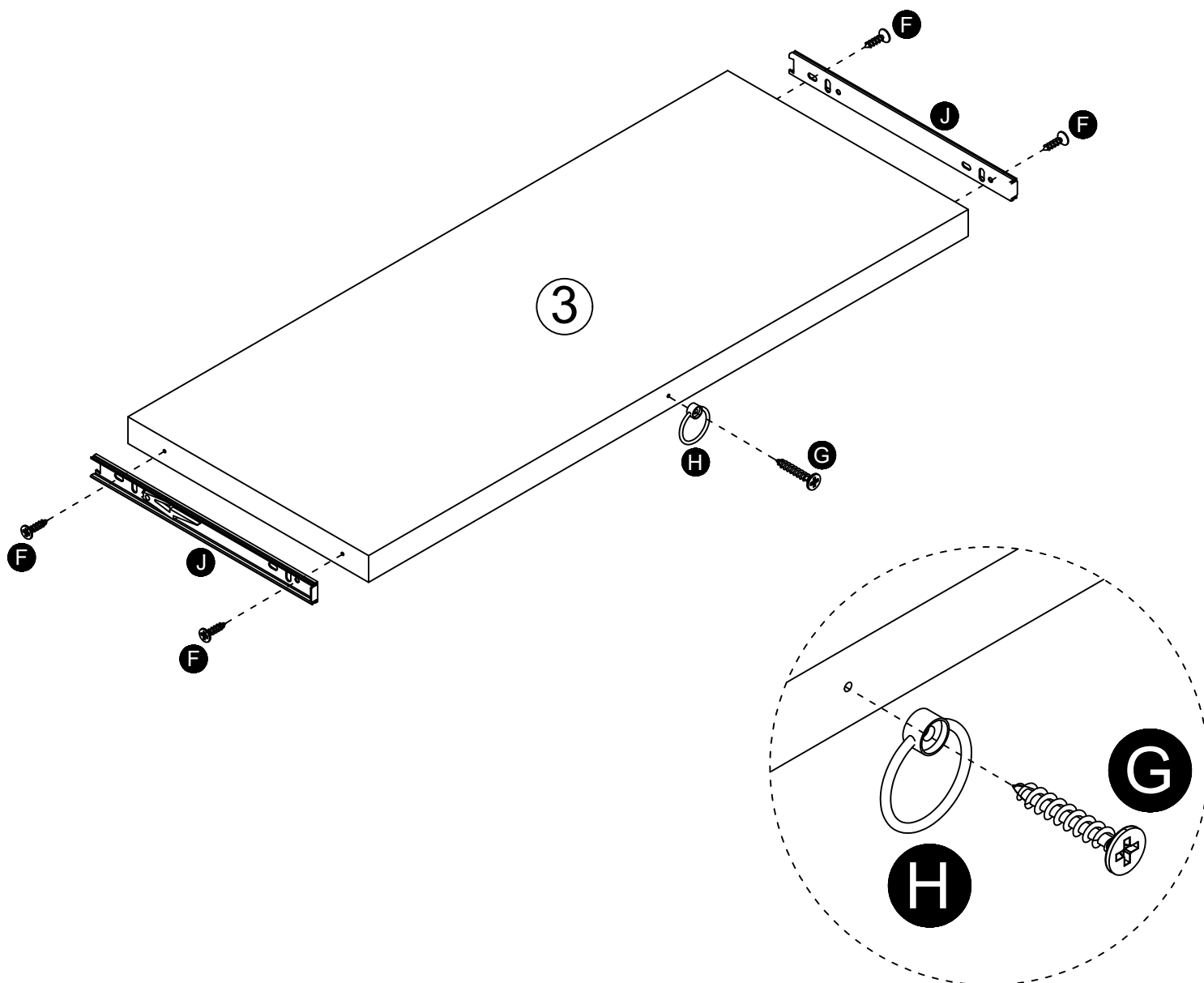
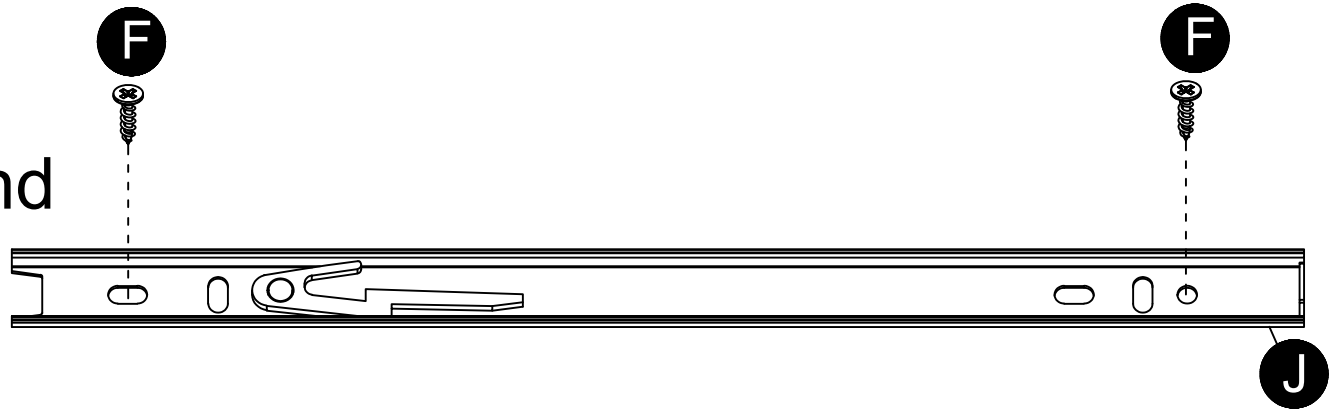


H X1

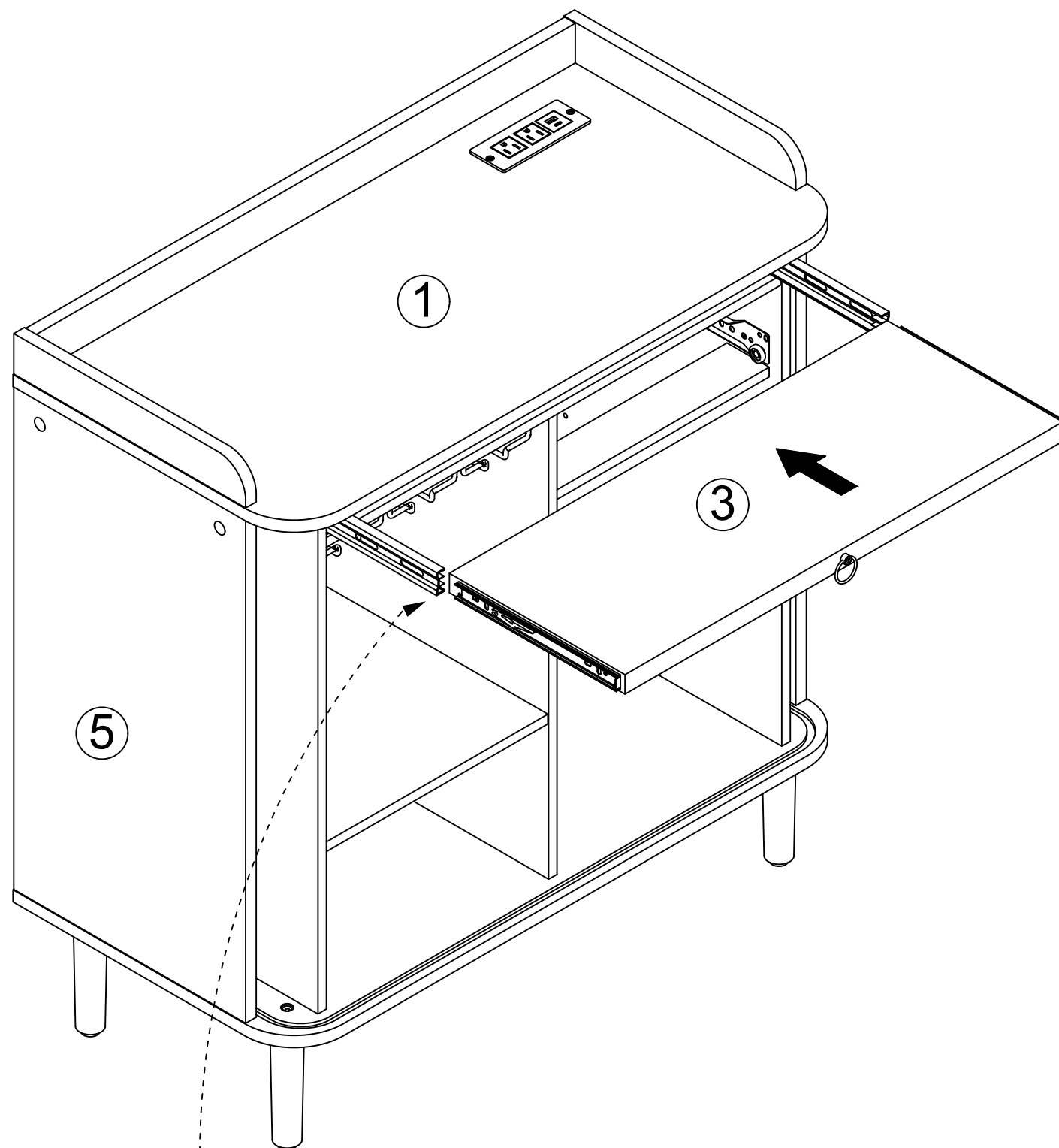


J X1

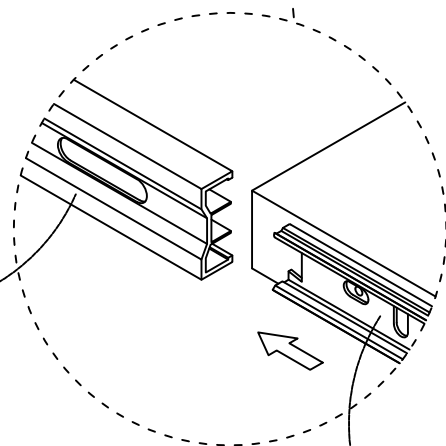
Open end



STEP 20

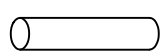


Cabinet Slide

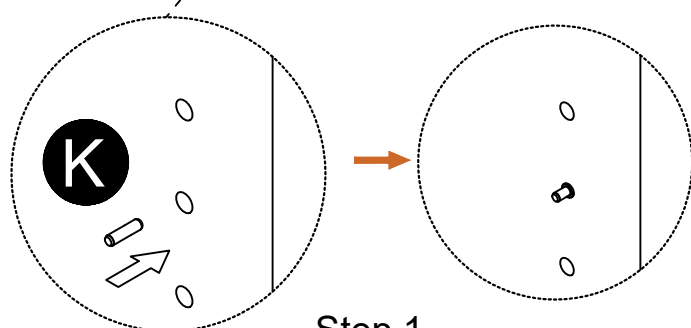
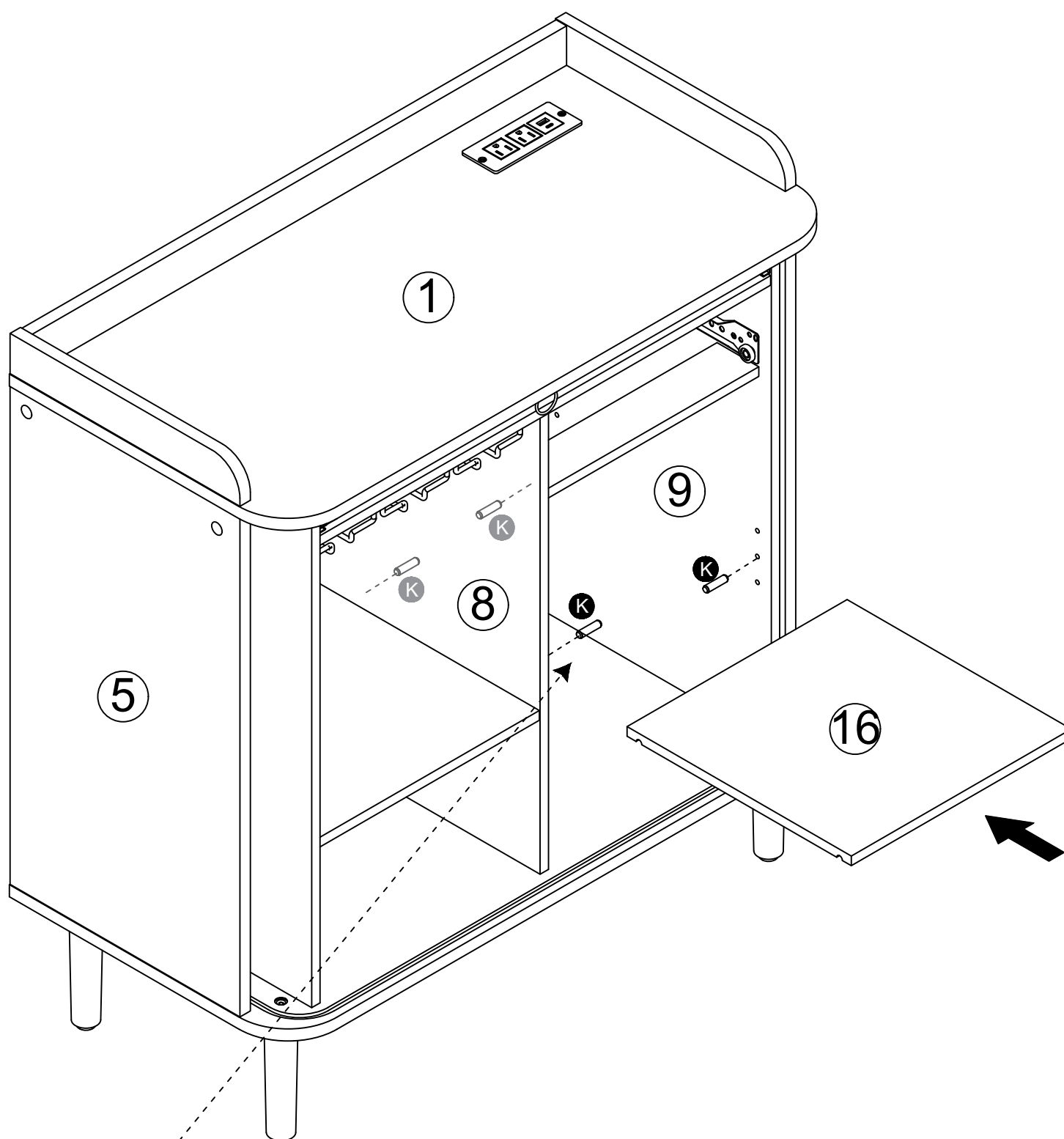


Drawer Slide

STEP 21

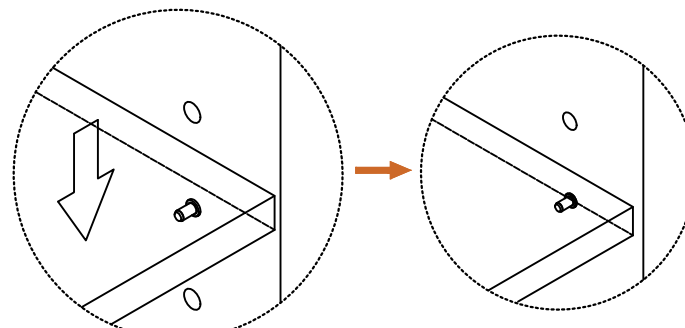


K X4



Step 1


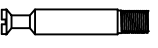

Select the desired height
and put it in

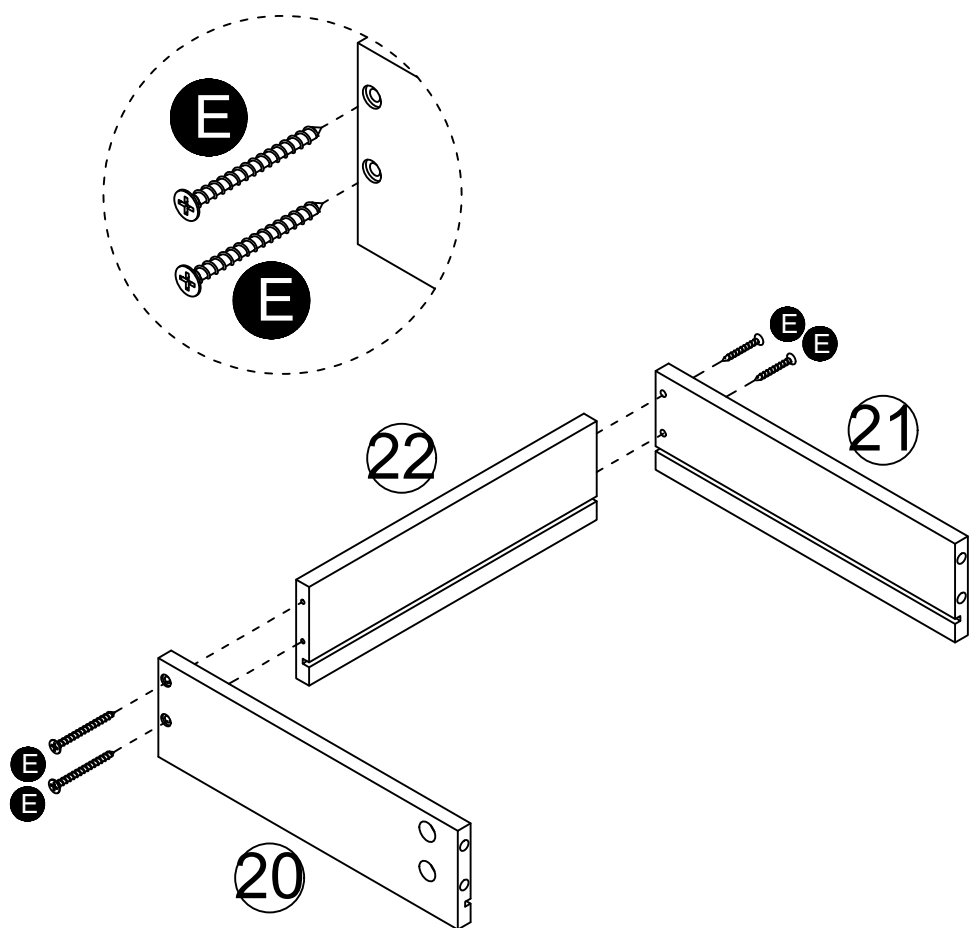
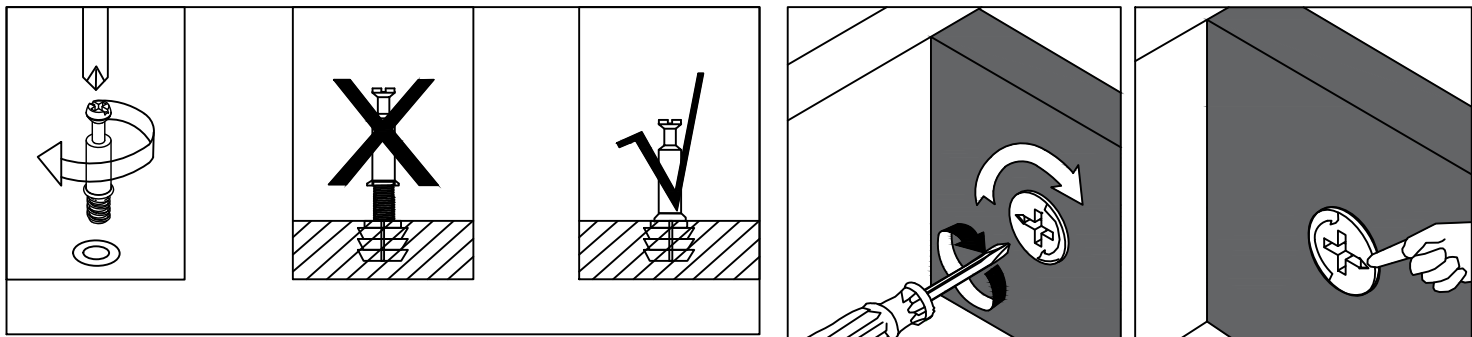


Step 2

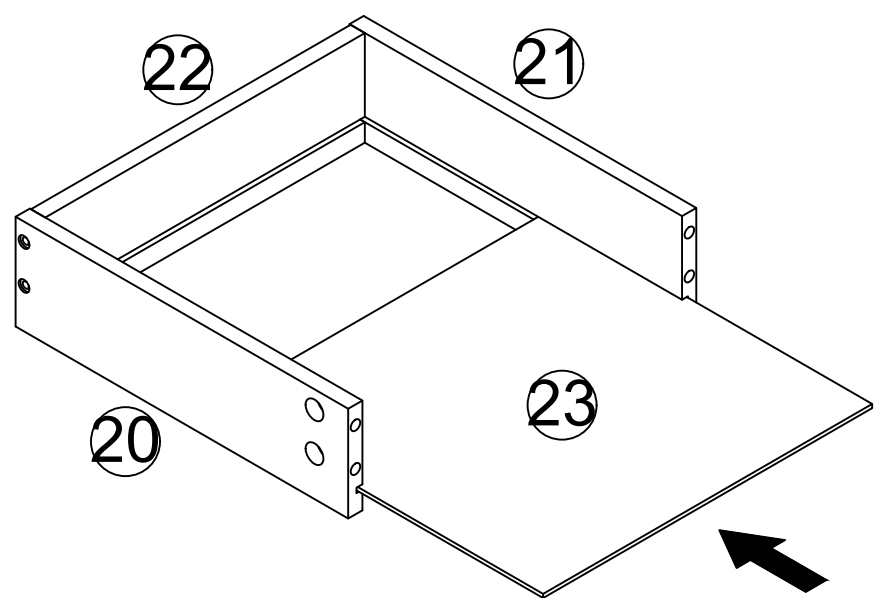
Aim the board gaps down

STEP 22

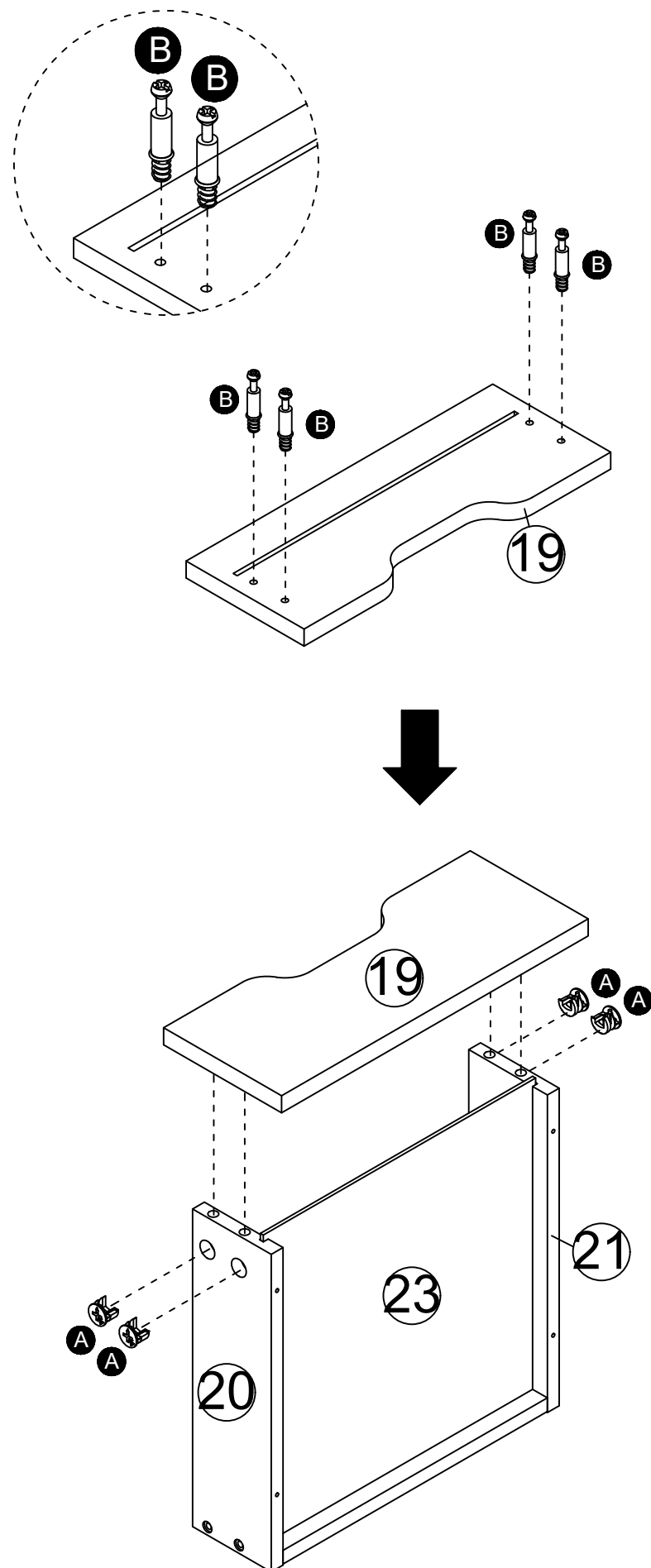
-  **A** X4
-  **B** X4
-  **E** X4



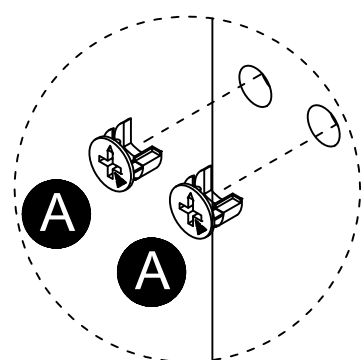
Step 1



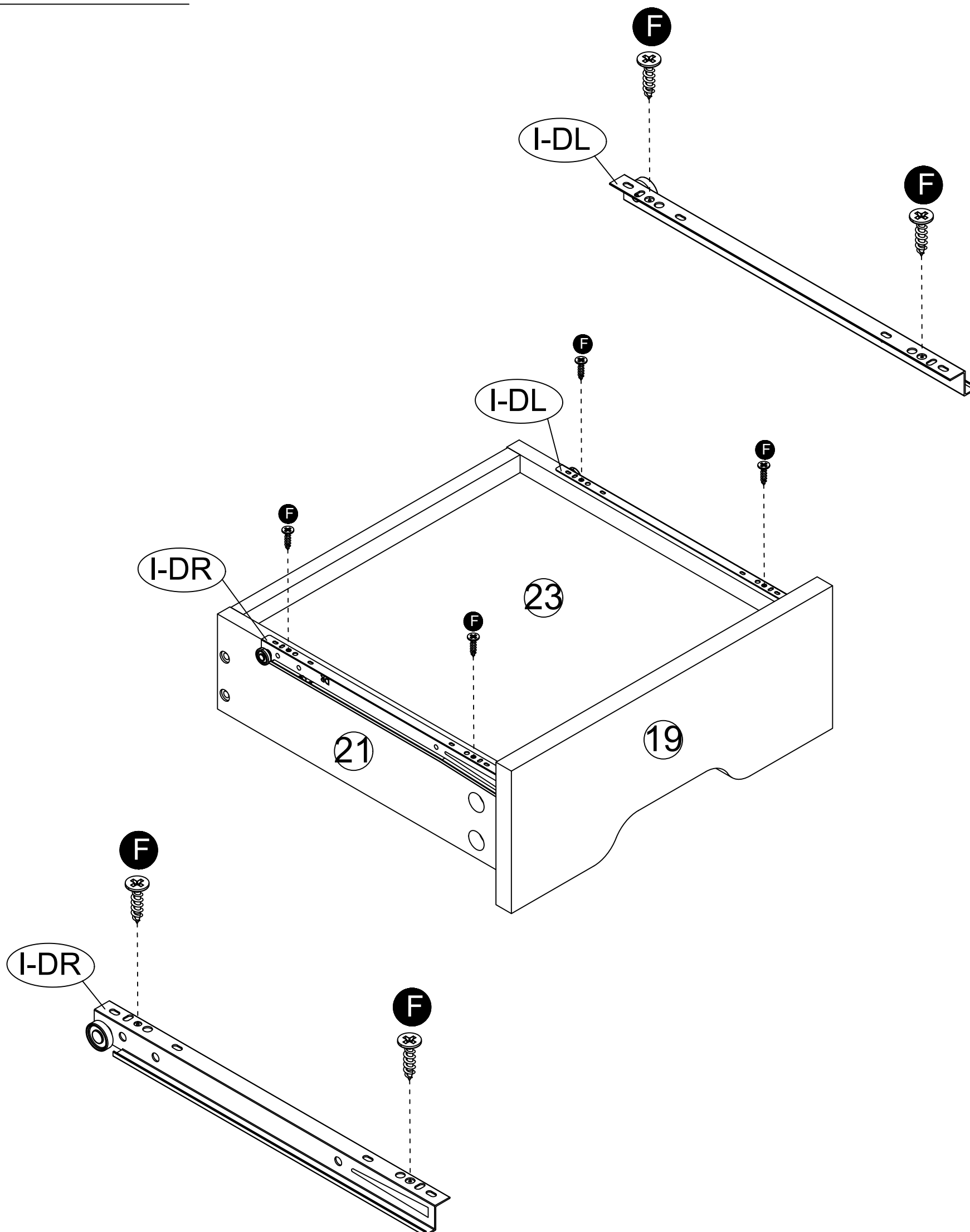
Step 2



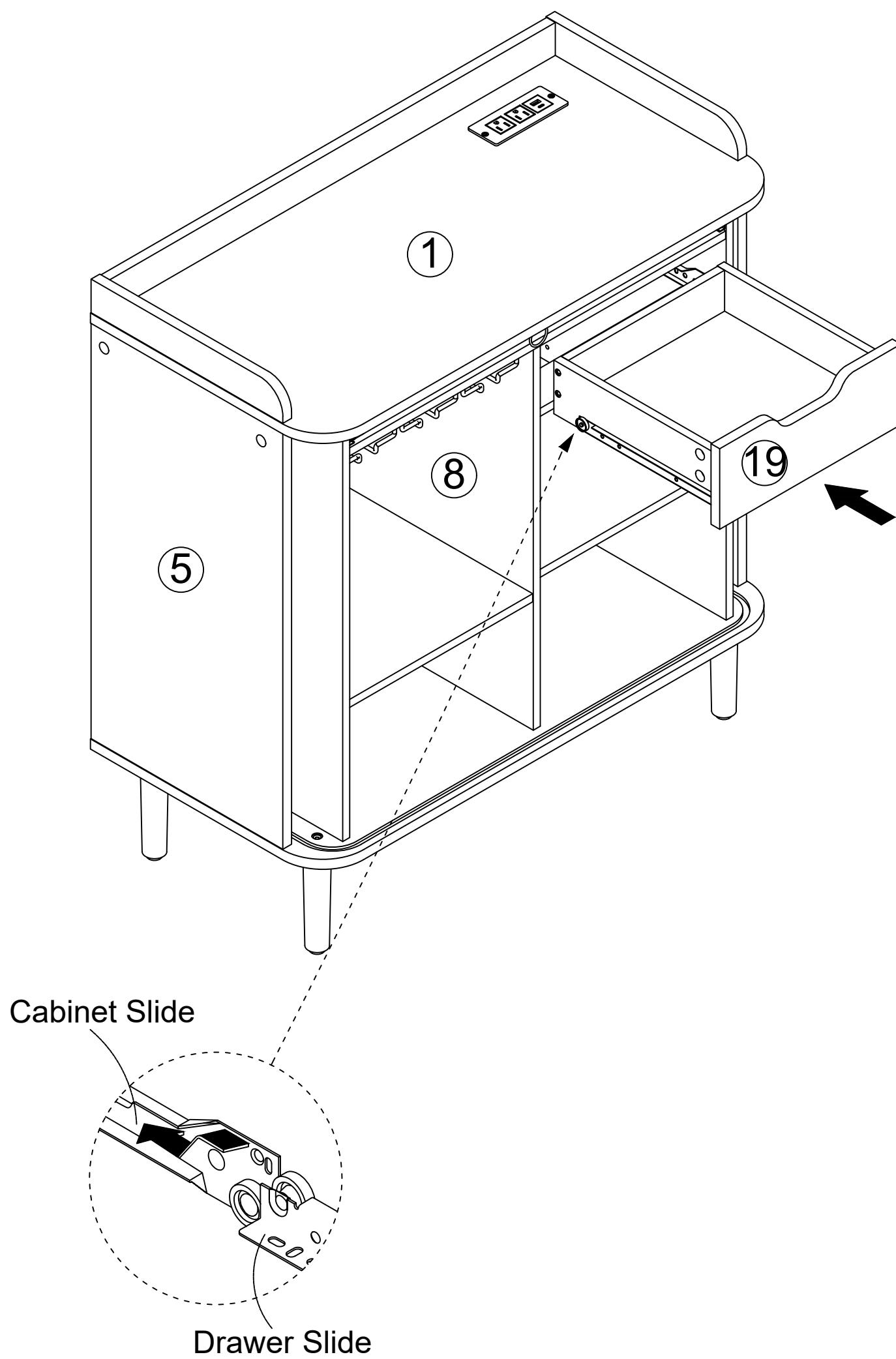
Step 3



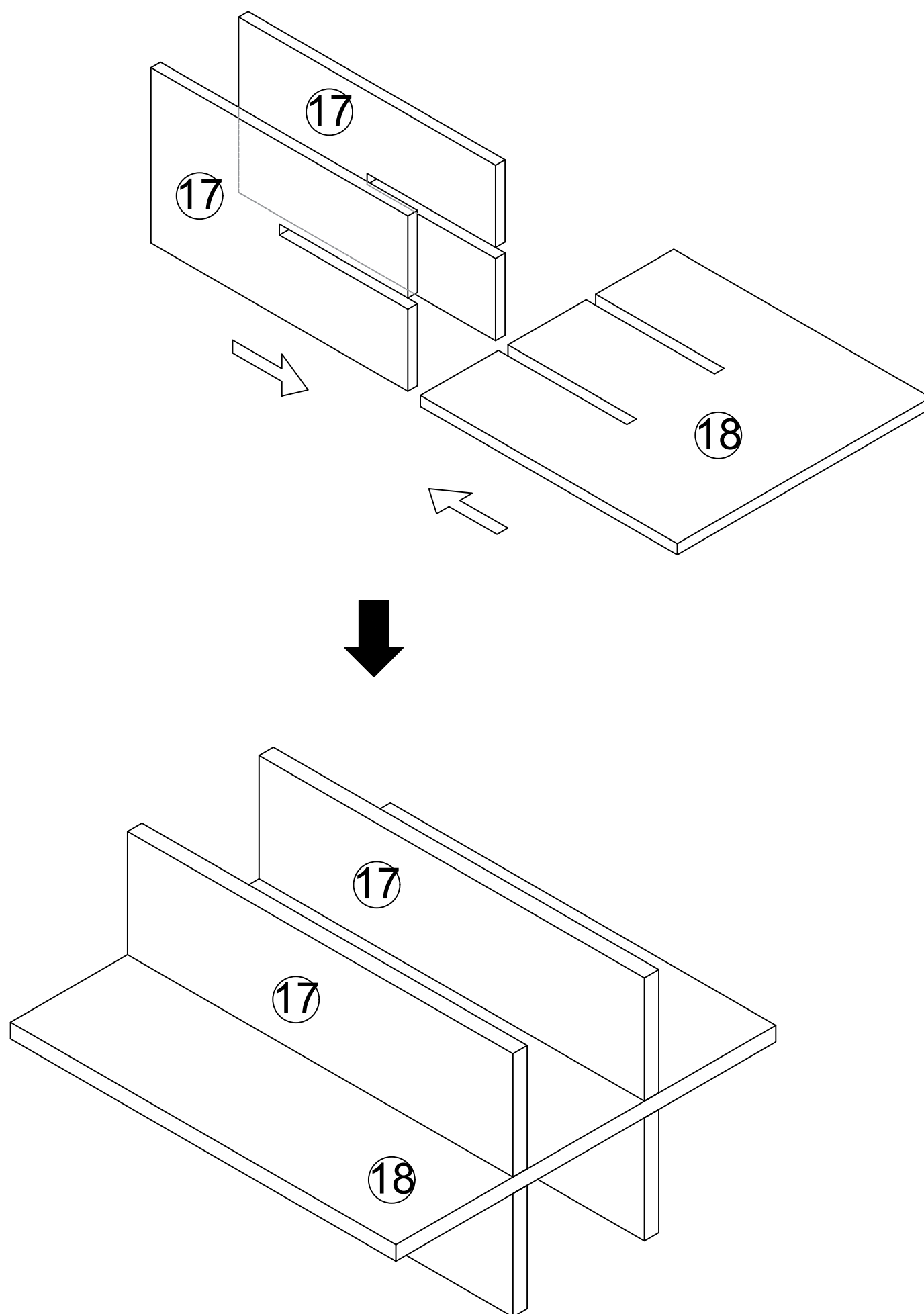
STEP 23

**F** X4DL
DR**I** X1

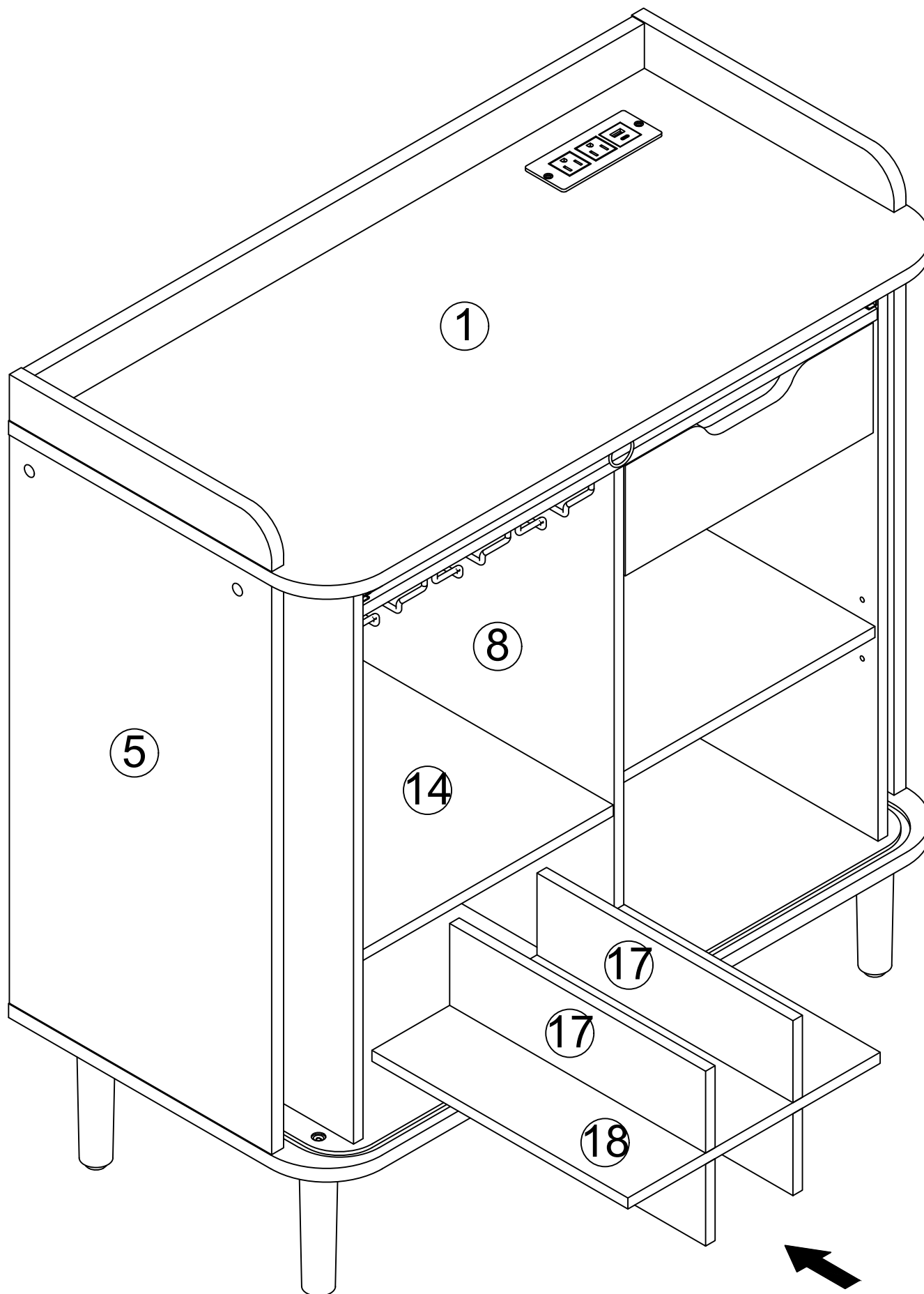
STEP 24



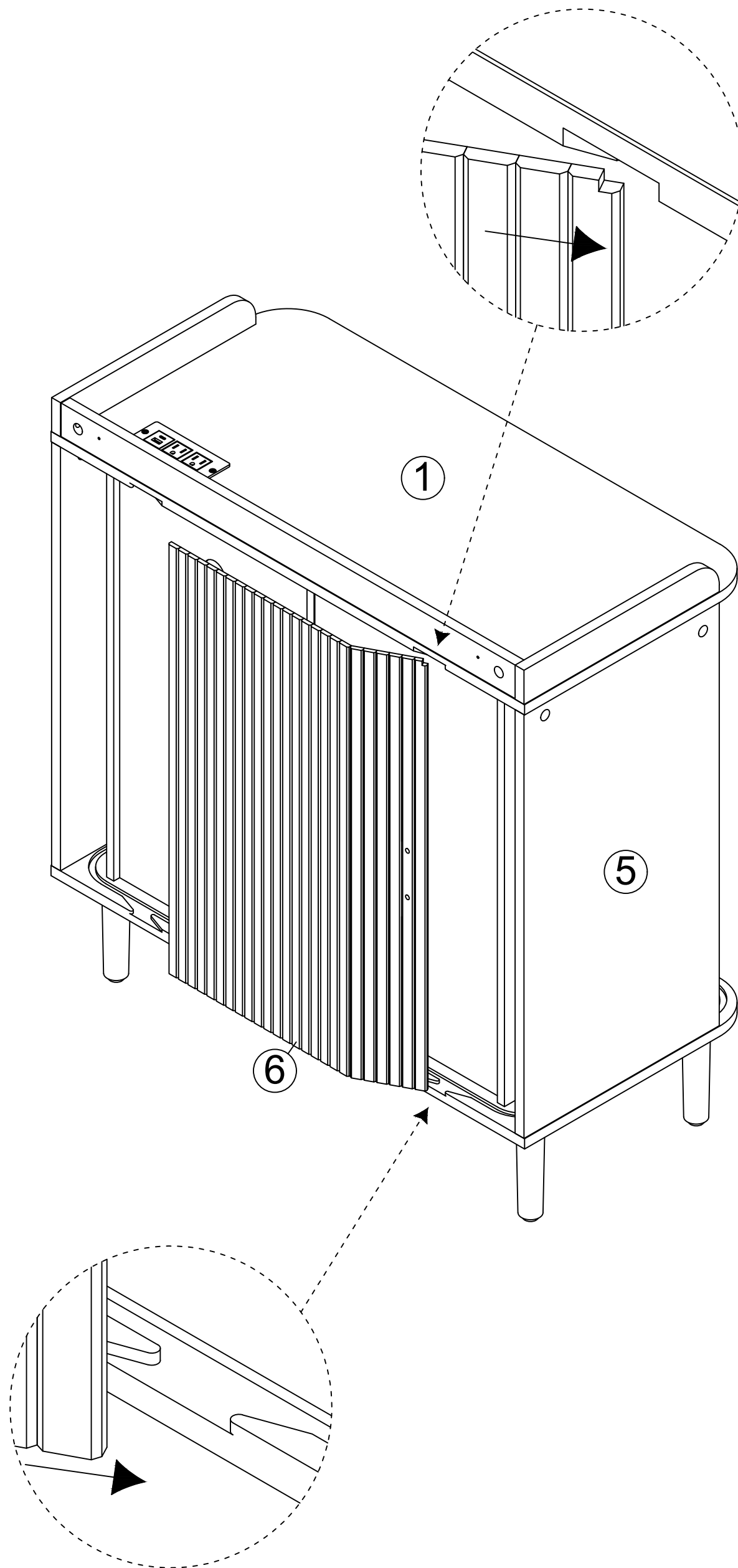
STEP25



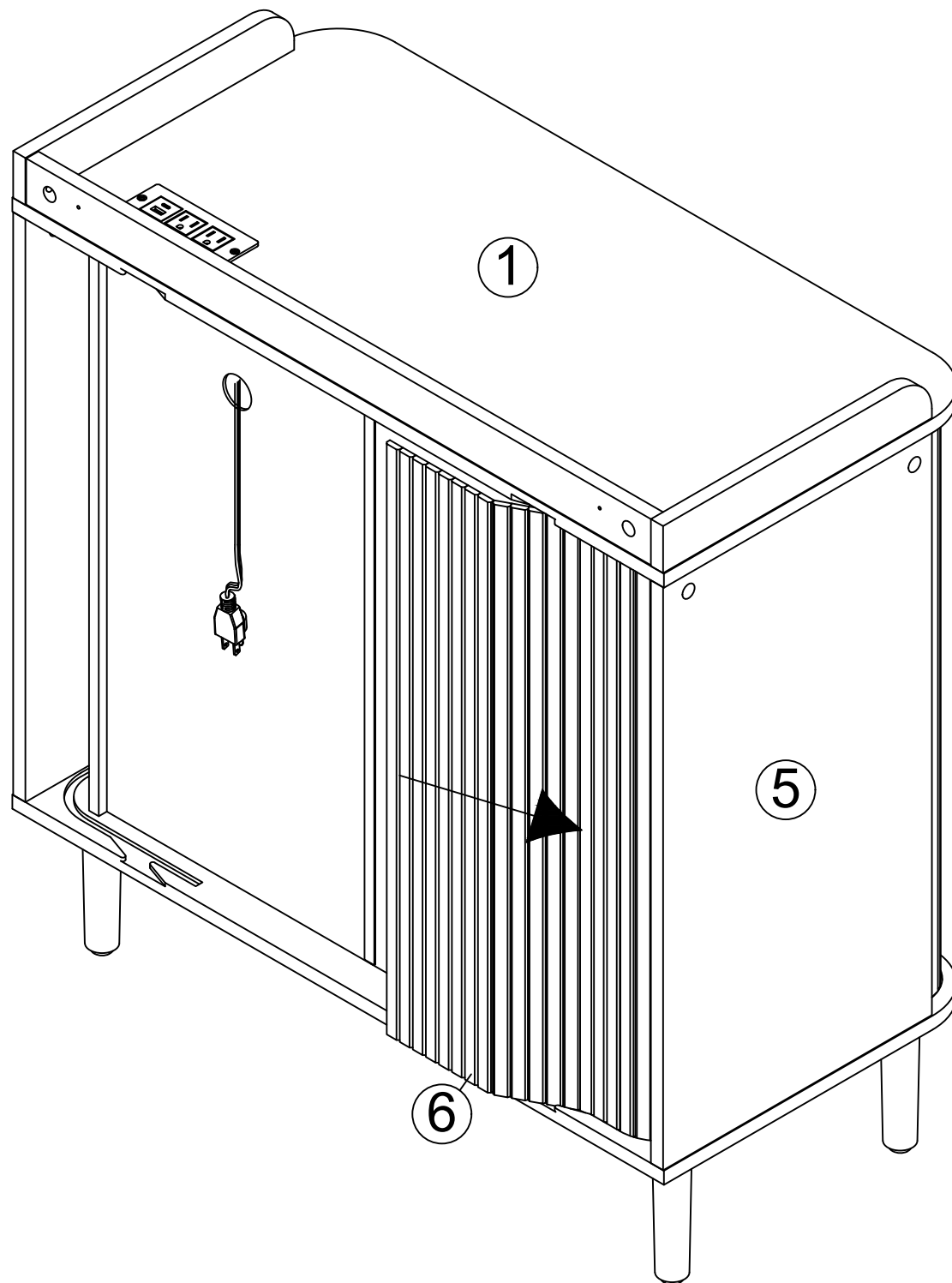
STEP 26



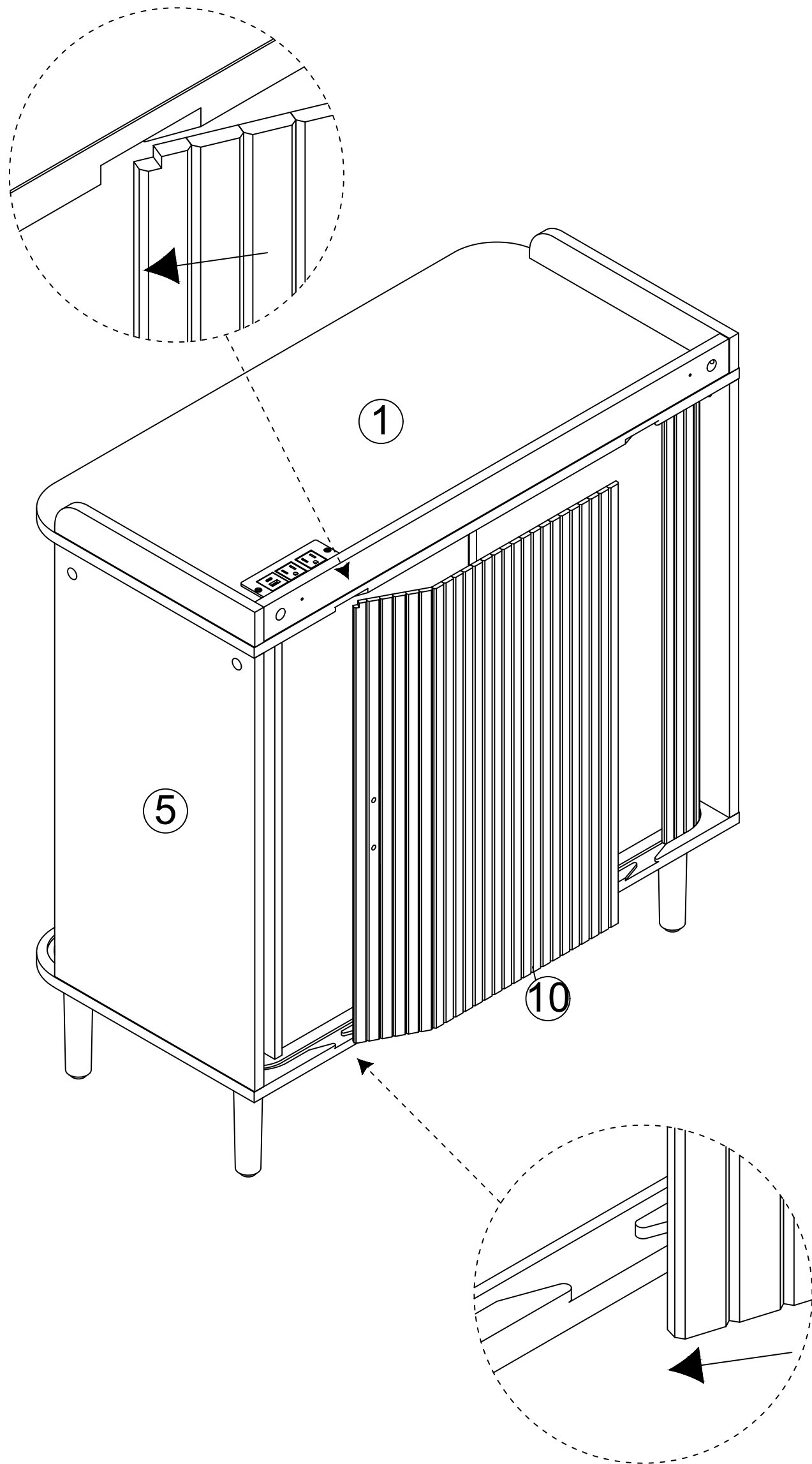
STEP 27



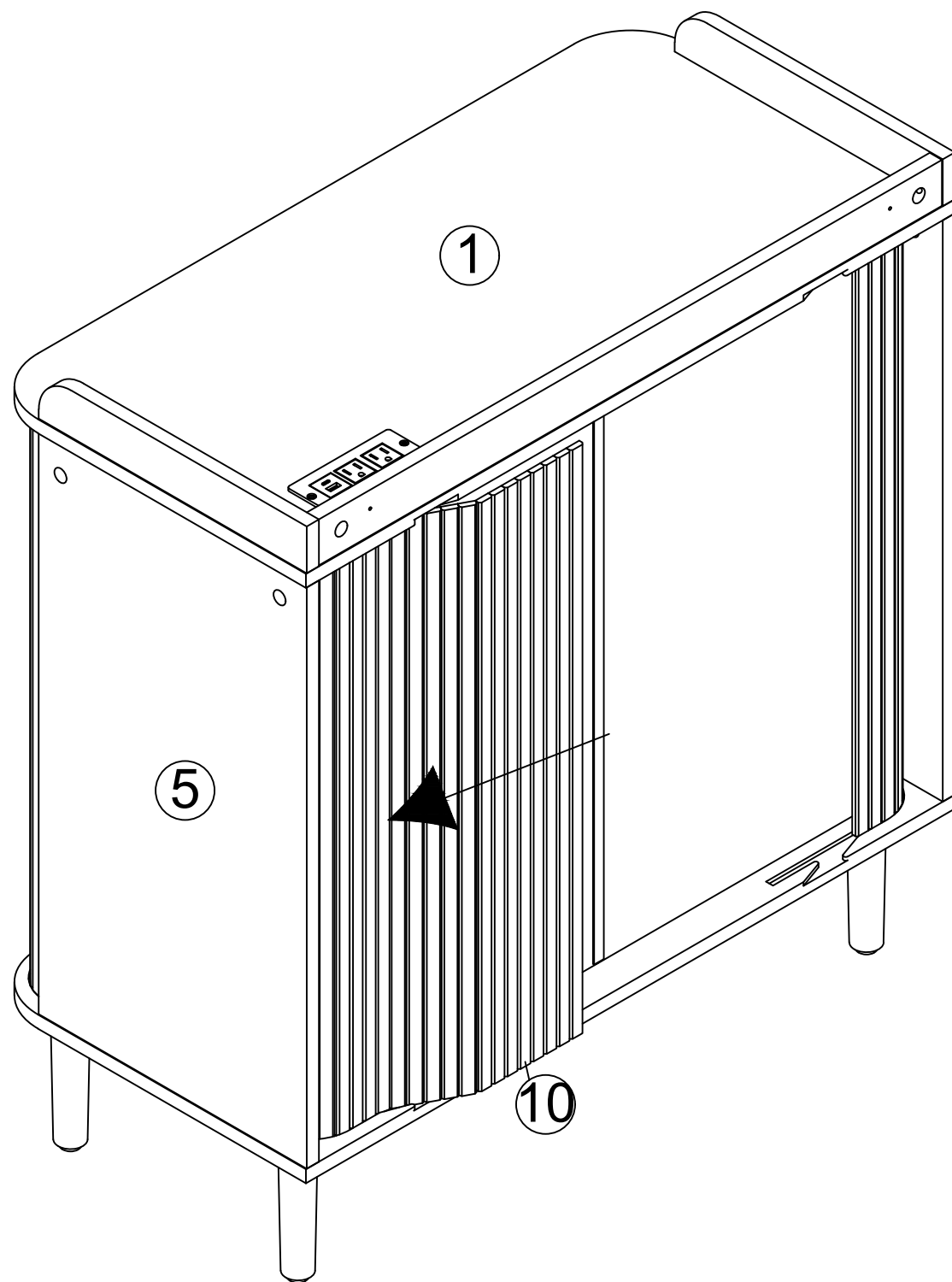
STEP28



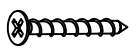
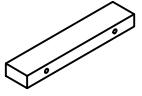
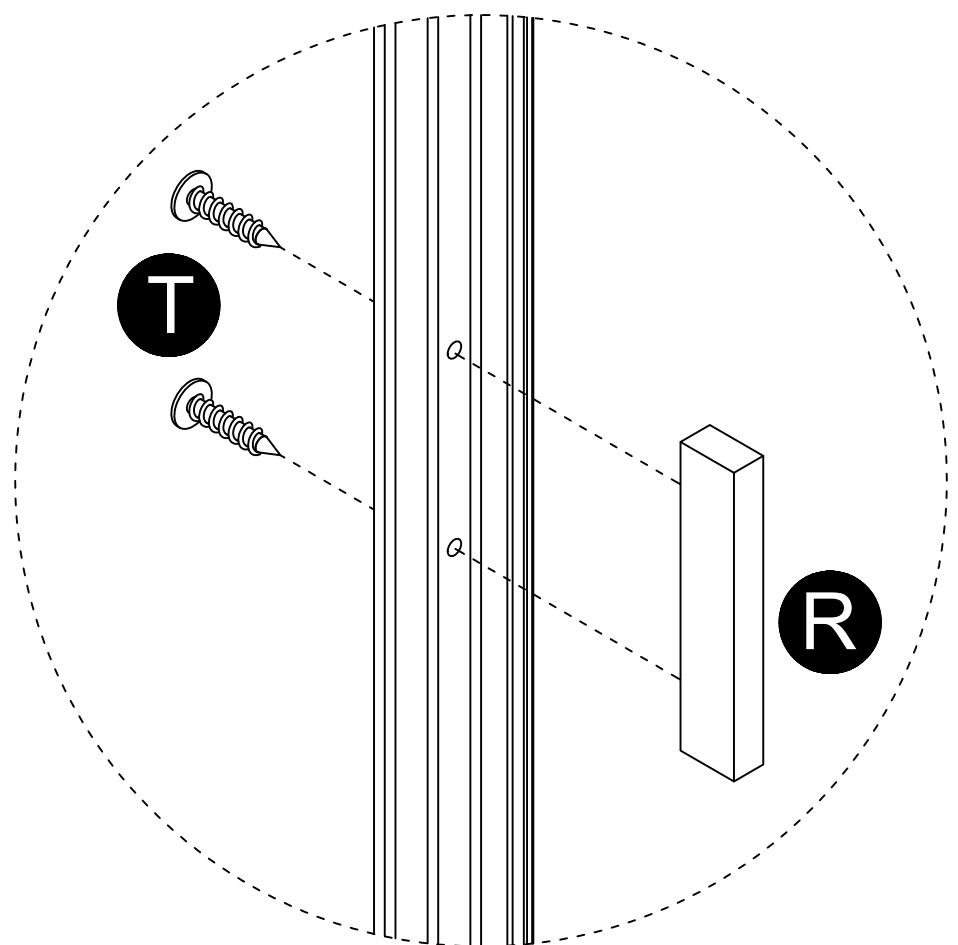
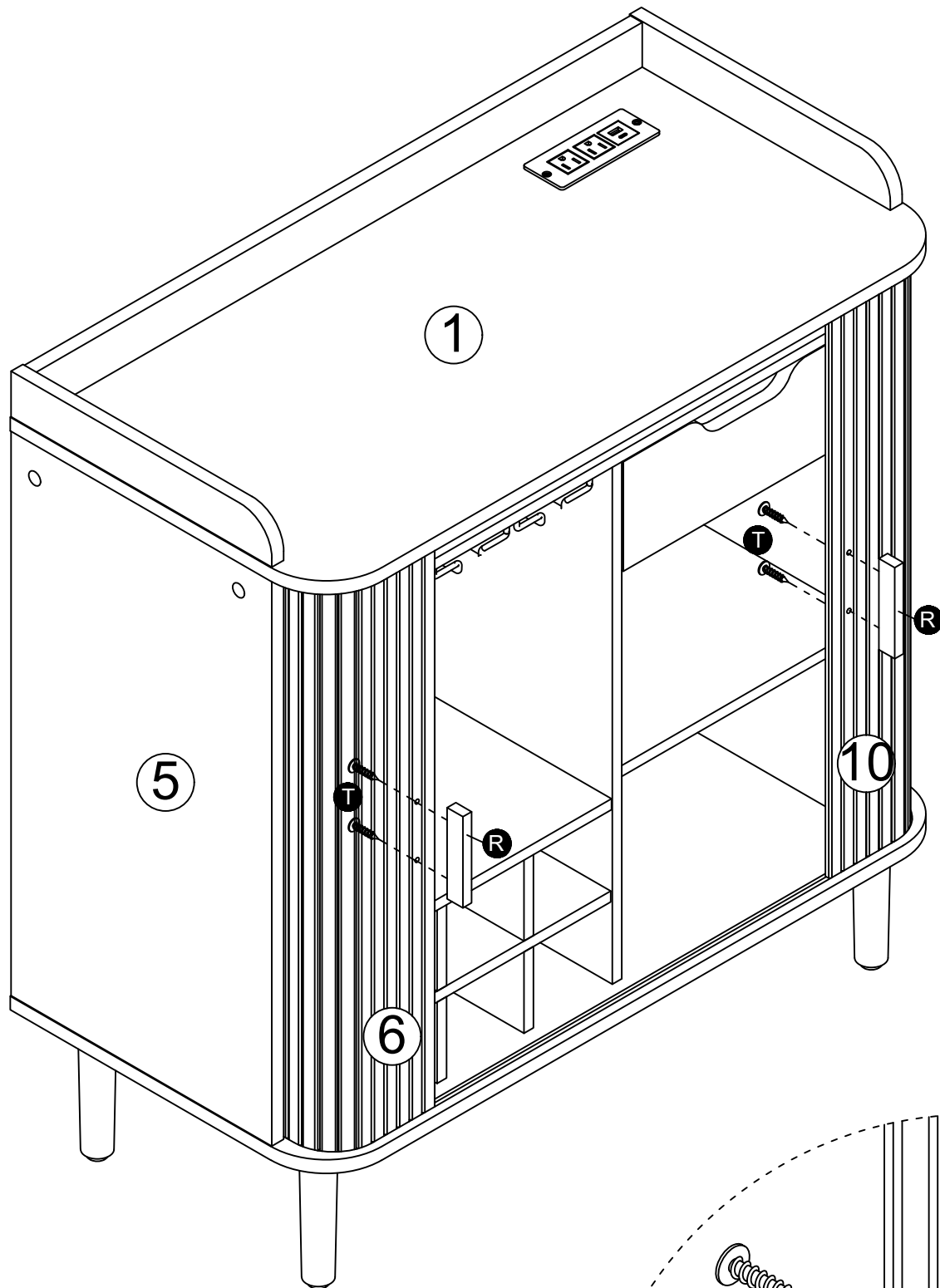
STEP 29



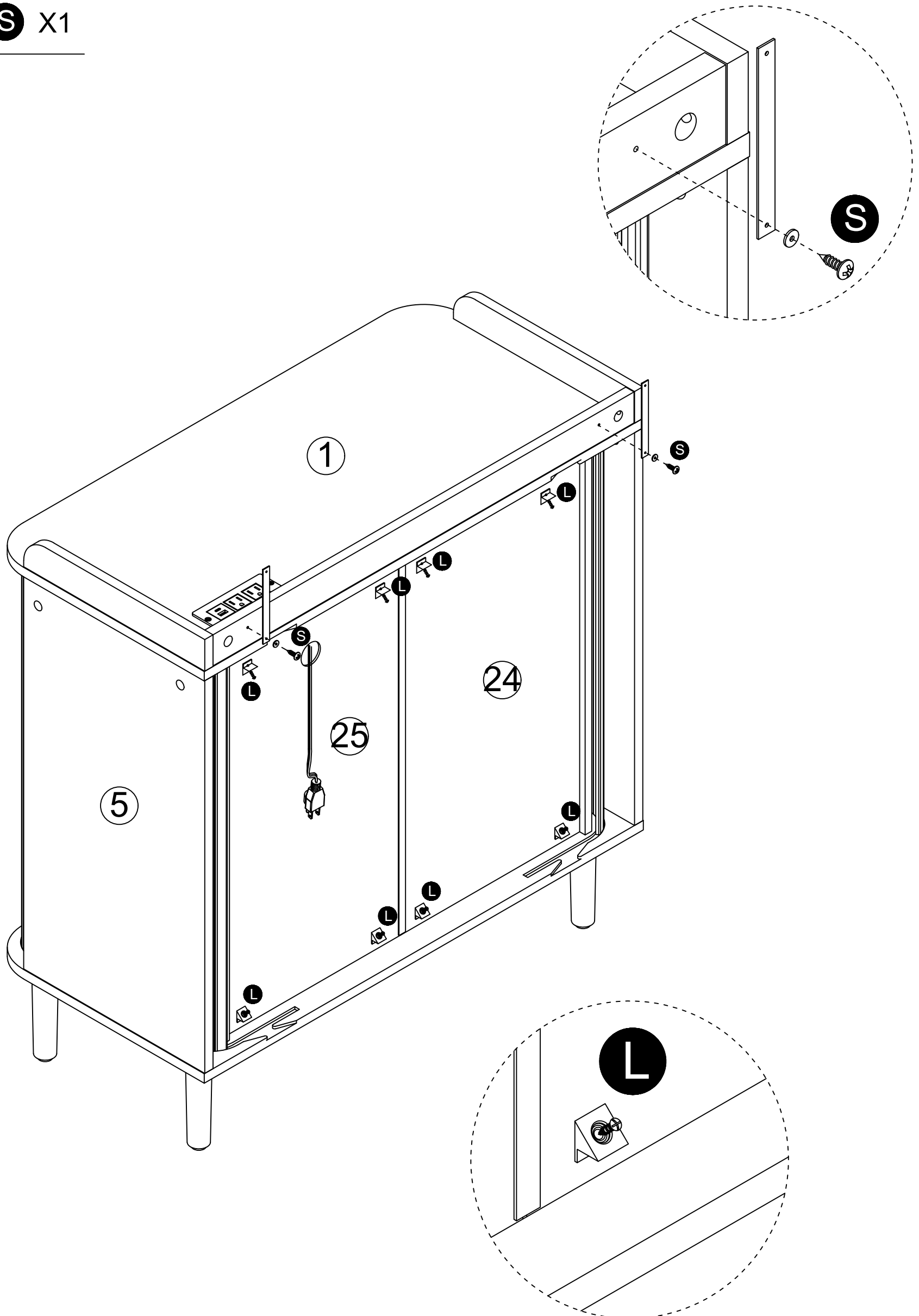
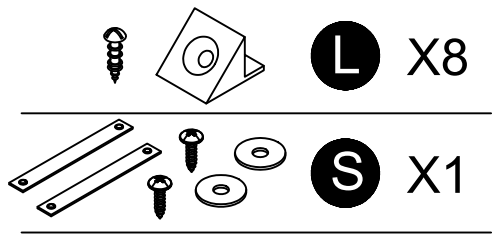
STEP 30



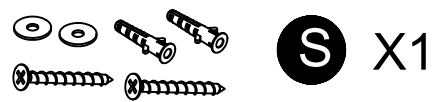
STEP 31

**T** X4**R** X2

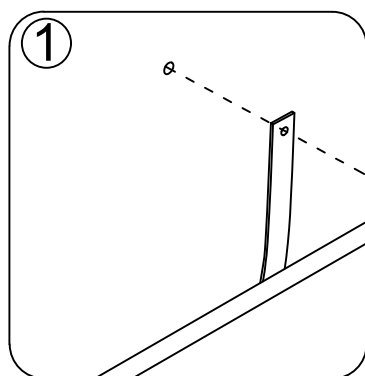
STEP 32



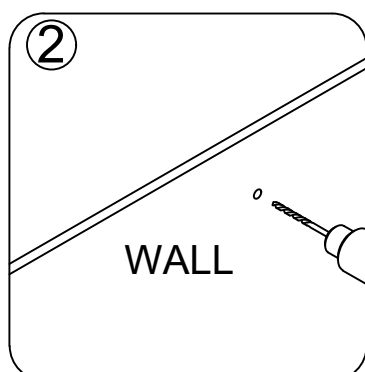
STEP 33



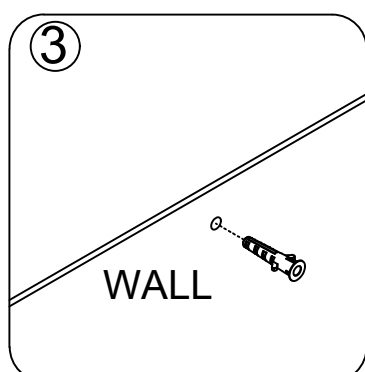
Install the tipping restraint hardware



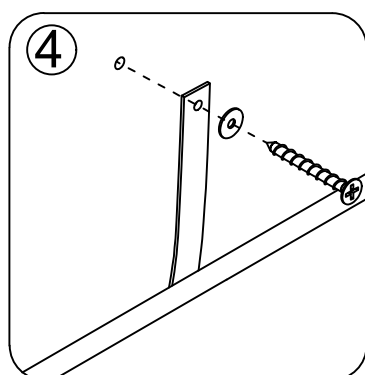
1. make mark on the wall



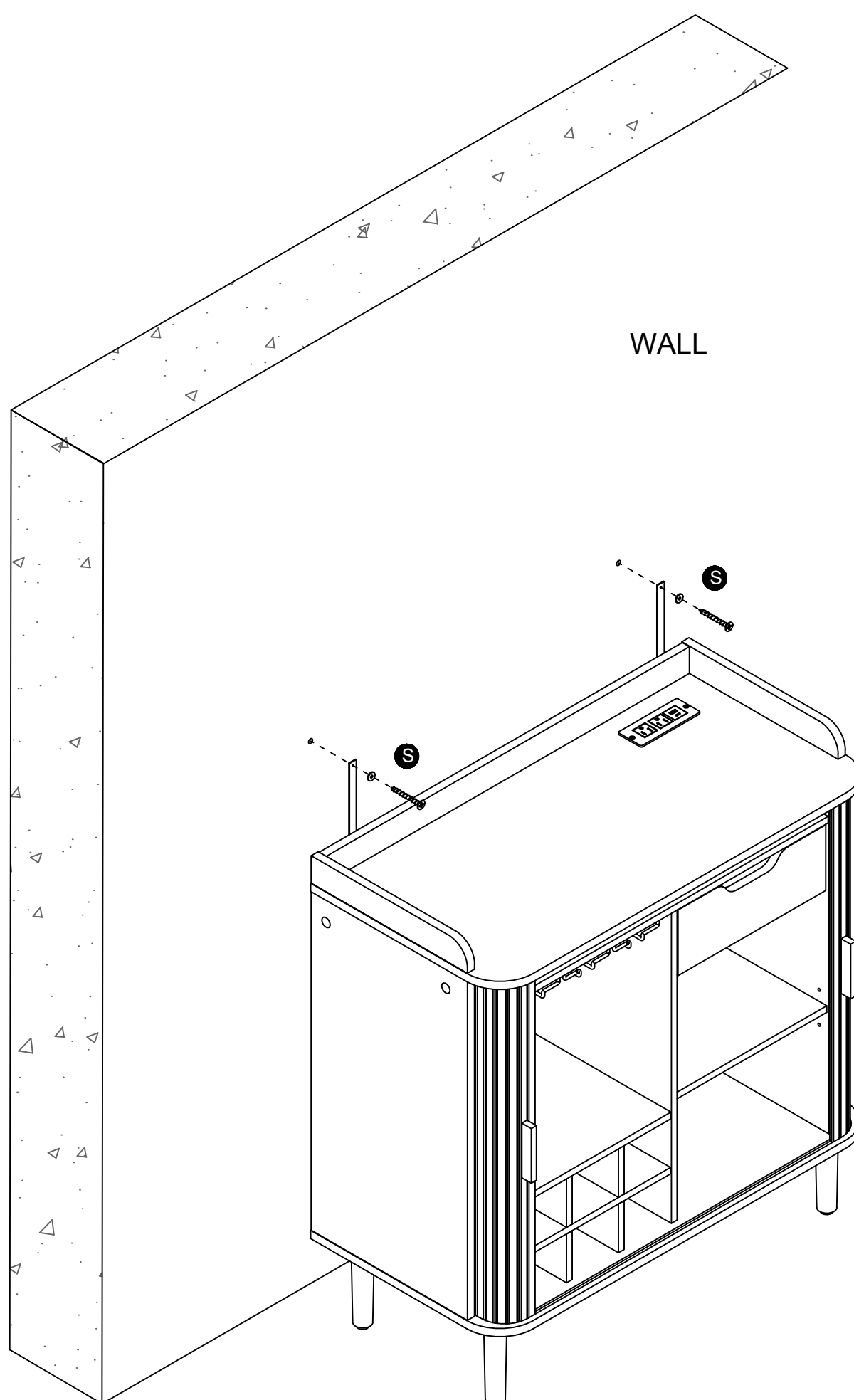
2. drill two Ø6 holes on the wall



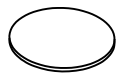
3. put two anchors in the holes



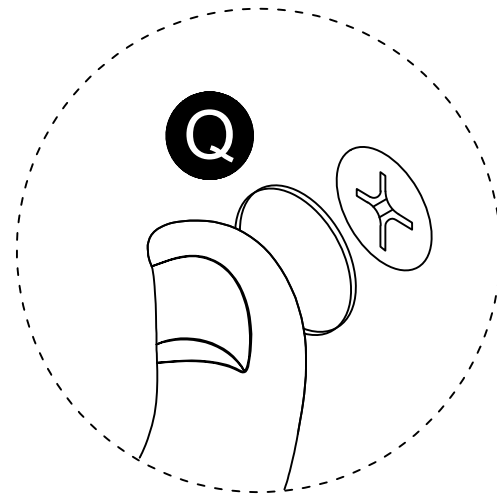
4. fix the device on the wall by the long screws



STEP 34



Q X22



Add Q fittings to all exposed holes on the front of the product.

