


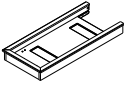
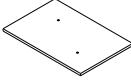
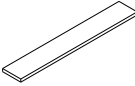
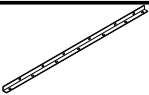
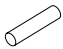







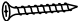


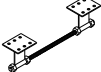
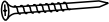


# Installation Instructions

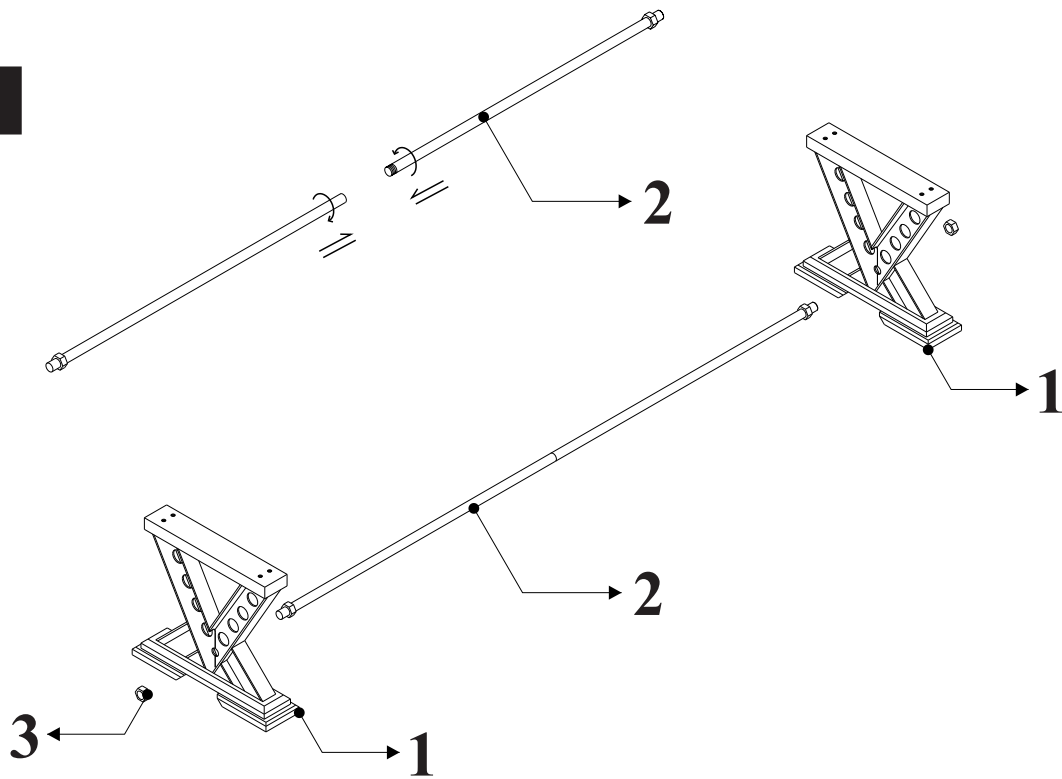
## Vienna Shuffleboard Components

PACKAGE	ITEM#		DESCRIPTION	QTY.
LEG	1		LEG	2
	2		LONG LEG BEAM	2
	3		NUT	2
CABINET	4		CABINET	2
	5		CENTER BOTTOM BOARD	1
	6		PLAYBOARD	1
	7		METAL BRACKET	2
	8		WOOD JOINT	4

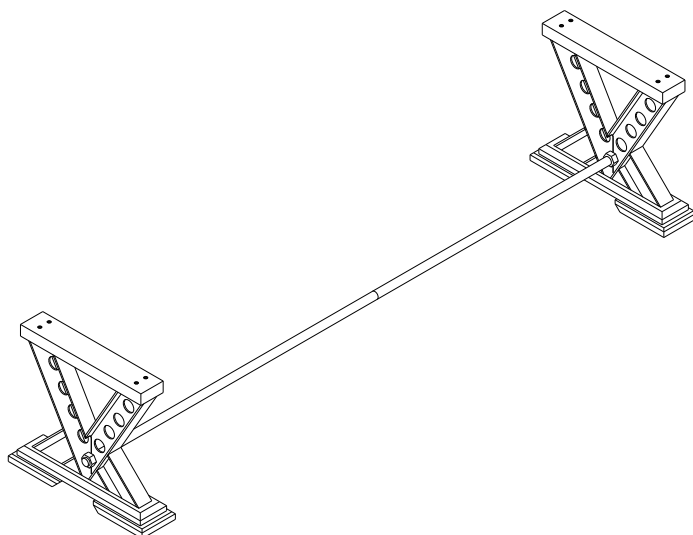
## Vienna Shuffleboard Hardware

PACKAGE	ITEM#		DESCRIPTION	QTY.
LEG	H1		HEX HEAD CROSS BOLT 5/16" x 2"(M8X51mm)	8
	H2		FLAT WASHER 5/16" I.D.	8
CABINET	H3		STUD BOLT 5/16" X 5-1/2"(M8X140mm)	2
	H4		FLAT WASHER 5/16" I.D.	4
	H5		HEX NUT 5/16" I.D.	4
	H6		HEX HEAD CROSS BOLT 5/16" X 1"(M8X25mm)	12
	H7		FLAT WASHER 5/16" I.D.	12
	H8		FLAT HEAD SCREW 1/8" X 3/4"(M3X19mm)	14
	H9		HEX HEAD CROSS BOLT 5/16" X 1"(M8X25mm)	48
	H10		FLAT WASHER 5/16" I.D.	48
	H11		CLIMATIC ADJUSTERS	4
	H12		FLAT HEAD SCREW 1/4" X 1-5/8"(M6X40mm)	6

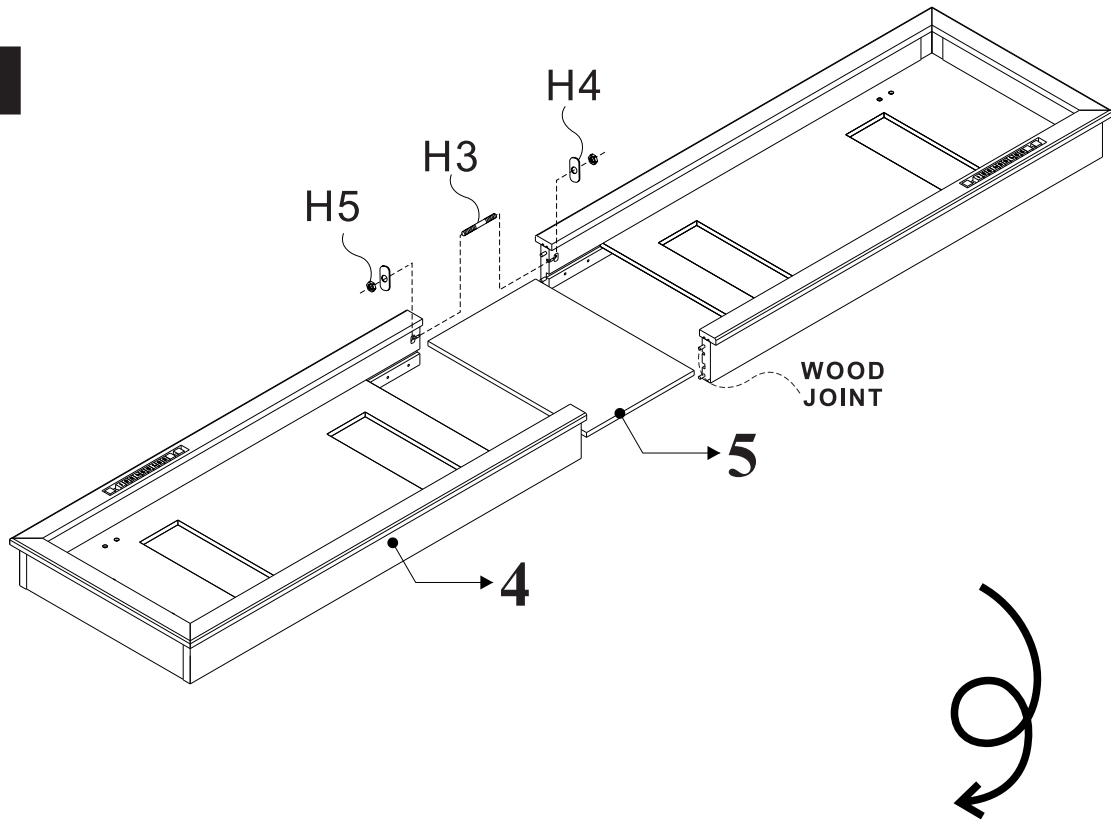
**FIG.1**



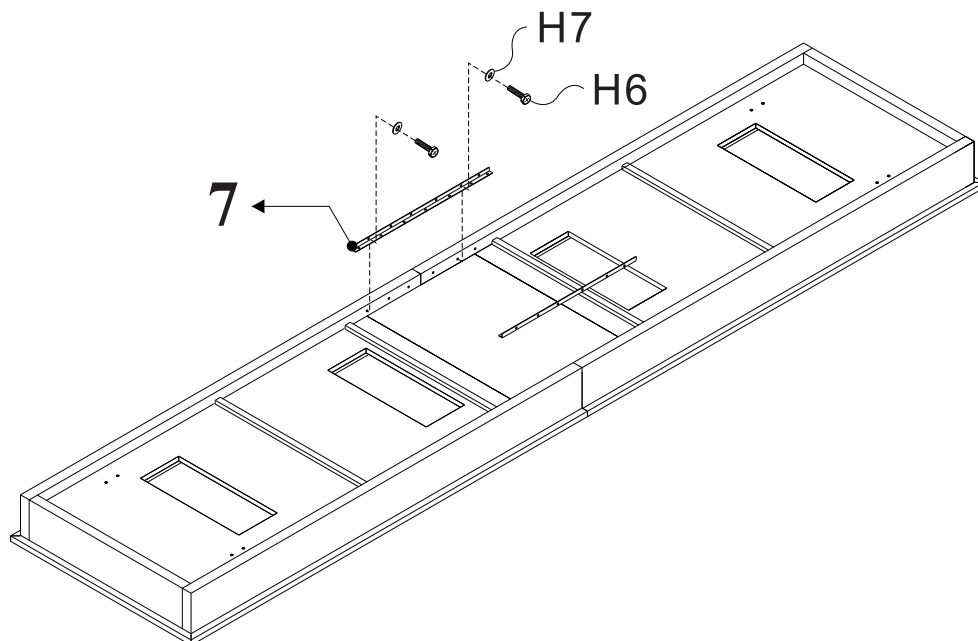
**FIG.2**



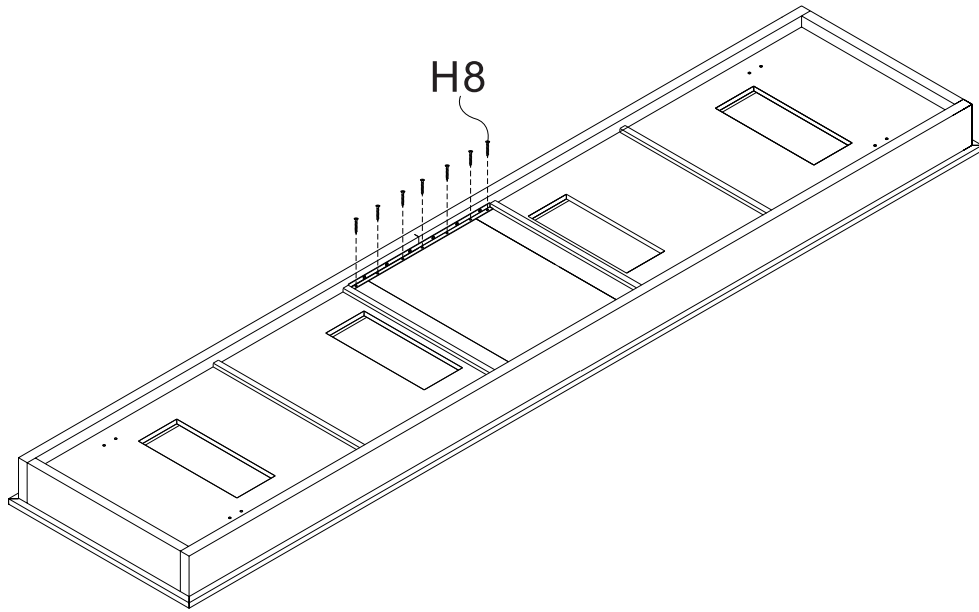
**FIG.3**



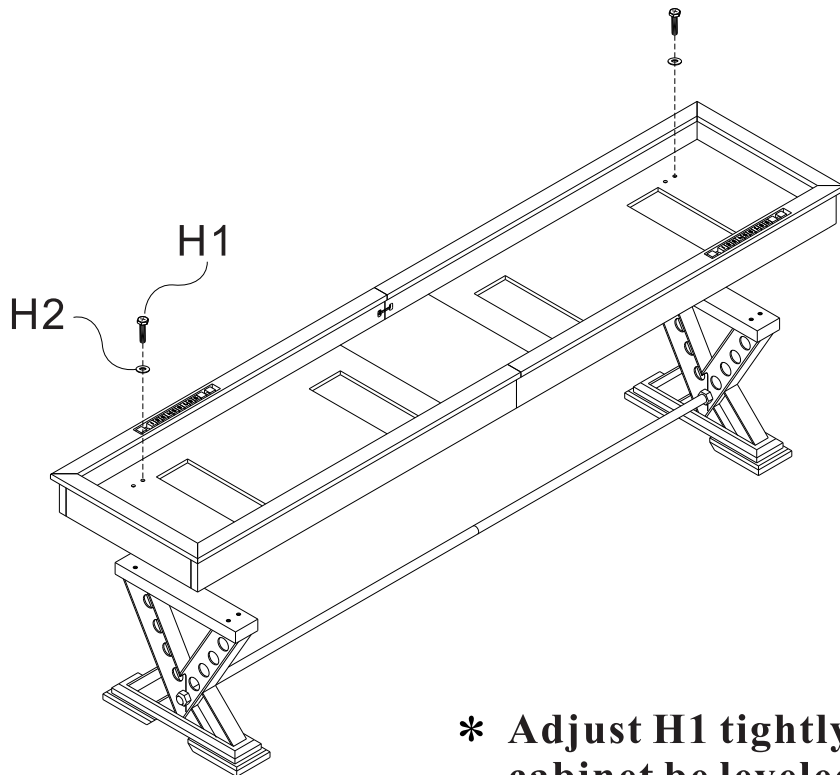
**FIG.4**



**FIG.5**

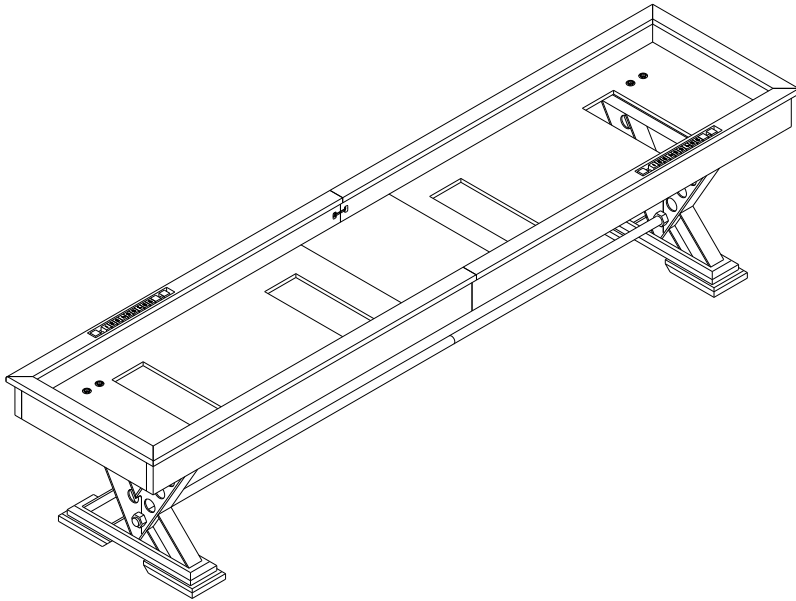


**FIG.6**

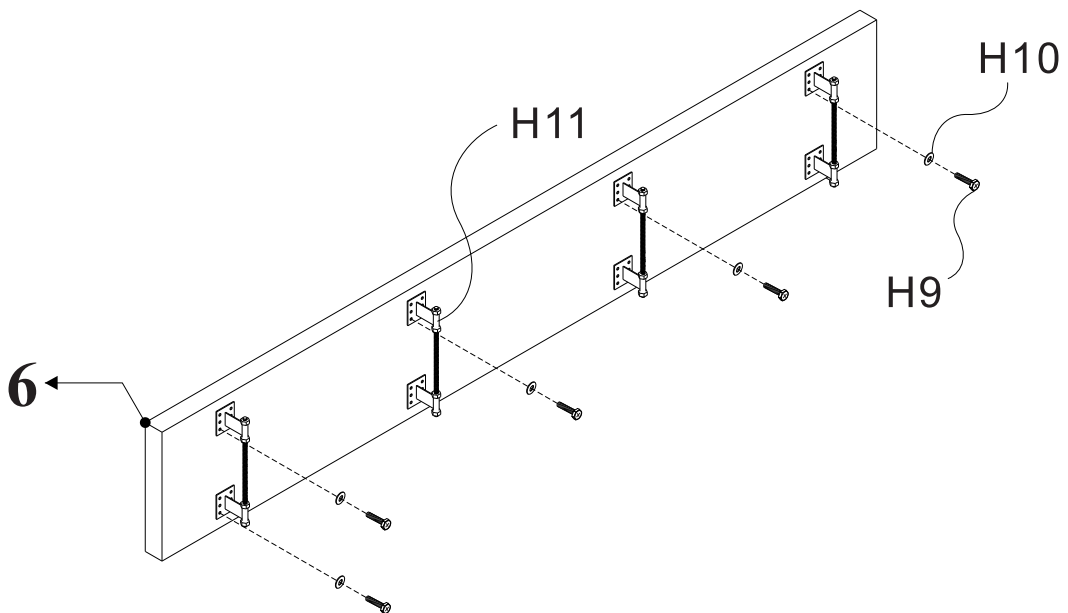


**\* Adjust H1 tightly after cabinet be leveled**

**FIG.7**

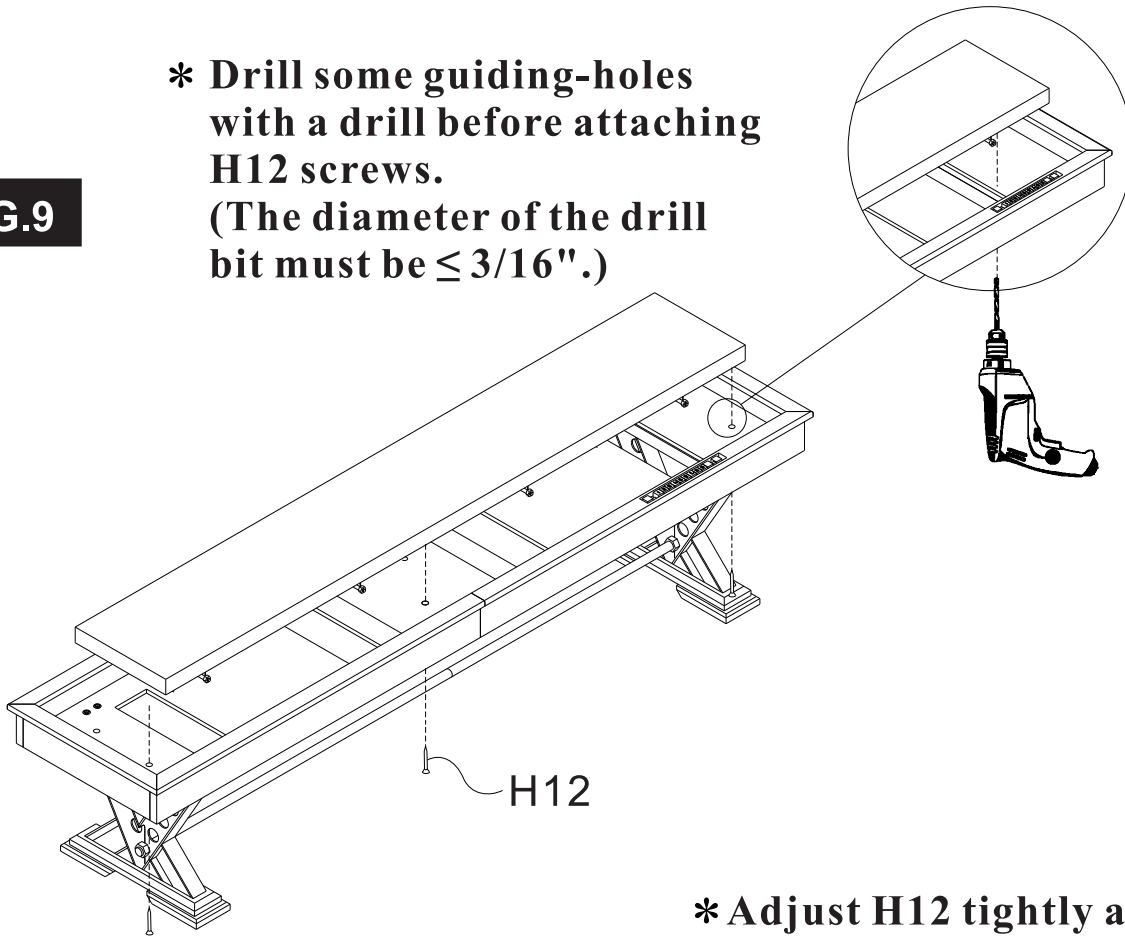


**FIG.8**



**FIG.9**

**\* Drill some guiding-holes  
with a drill before attaching  
H12 screws.  
(The diameter of the drill  
bit must be  $\leq 3/16$ ".)**



**\* Adjust H12 tightly after  
playboard is leveled**

**Finish**

