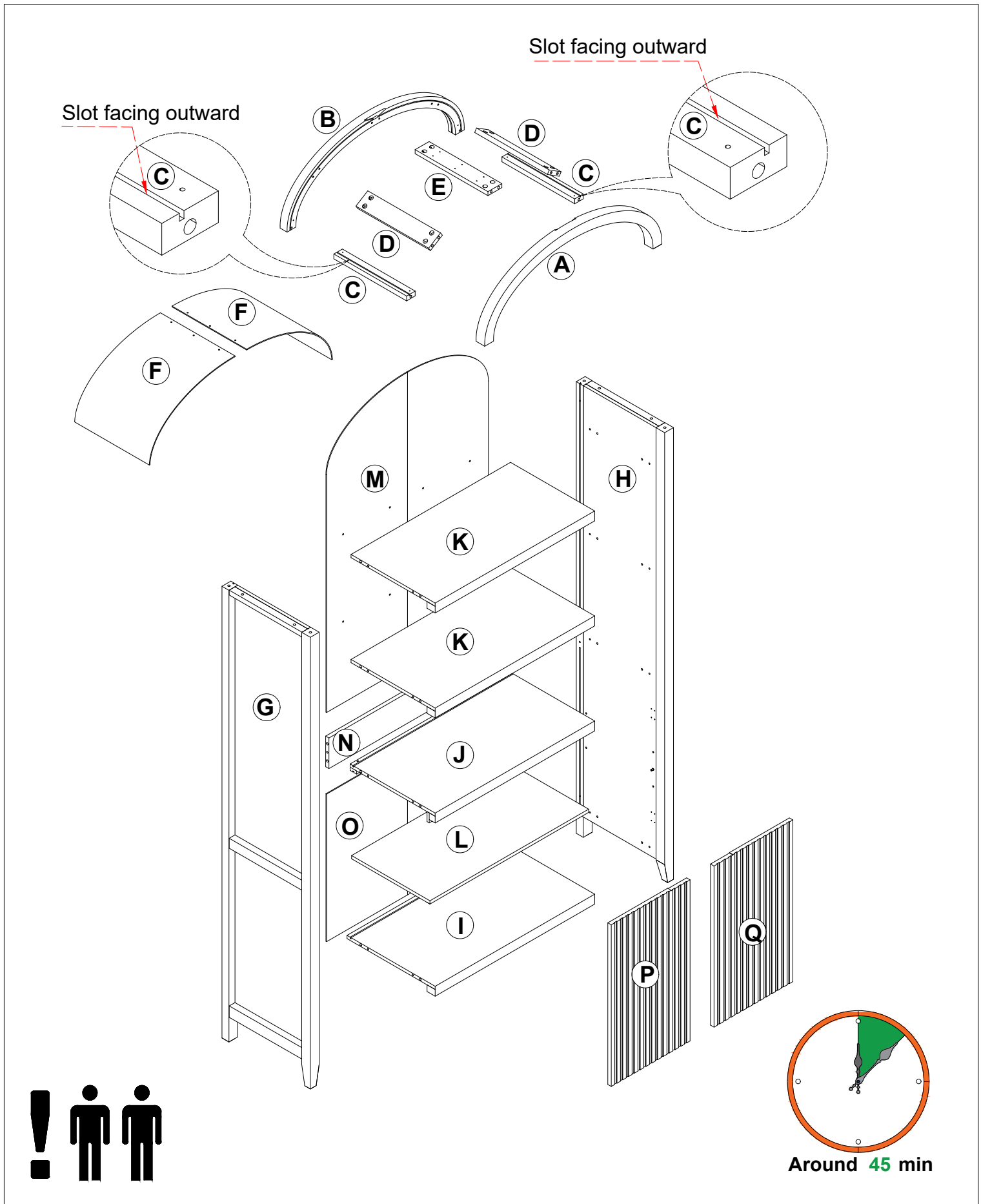


OWNER MANUAL

Thank you for purchasing this Bookcase .

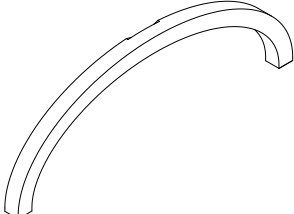
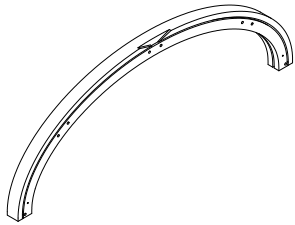
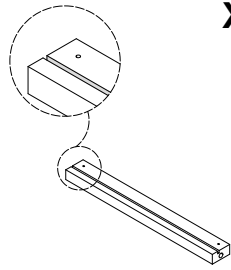
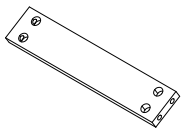
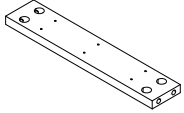
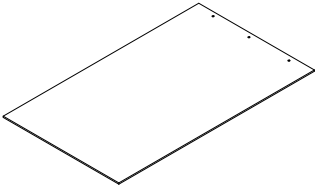
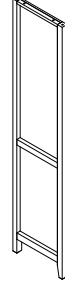

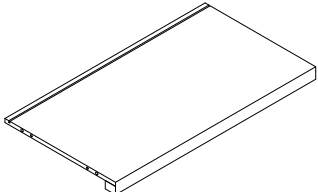
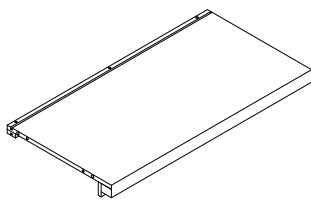
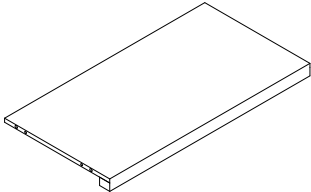
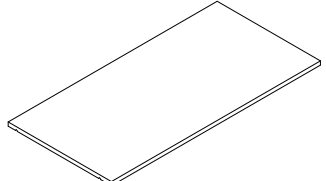
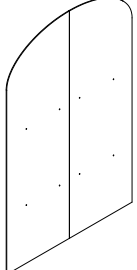
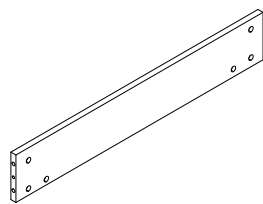
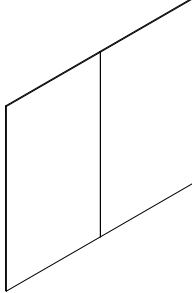
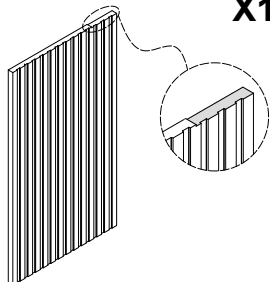
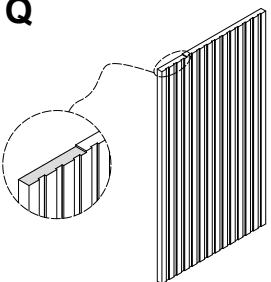
Please read the instructions and warnings carefully before use, to ensure safe and satisfactory operation of this product. WE are committed to making great products possible. From our in-house Design Team, to our Buyers, we work together to bring great designs to life. Our expert Product Technologists work collaboratively with our buyers and suppliers to assure the legality, safety and quality of the product we sell. We are all committed to designing and developing products to the highest industry standards. We hope you are happy with your product and welcome any feedback or comments you may have.

Exploded Diagram

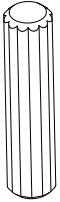
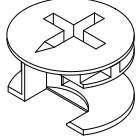

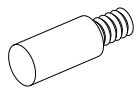
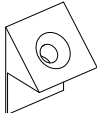
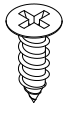
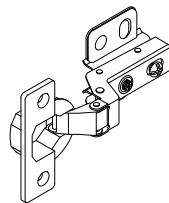
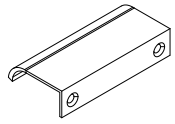
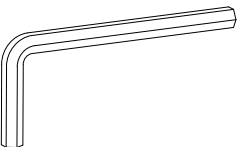
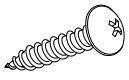
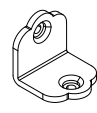
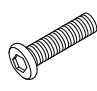
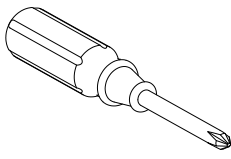
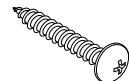
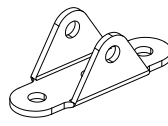
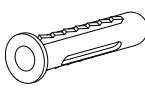



Be sure to check all packing material carefully for small parts, which may have come loose inside the carton during shipment.

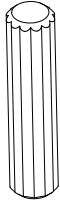
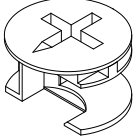

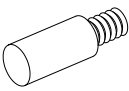
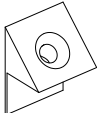

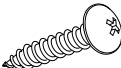
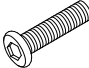
PARTS LIST

<p>A X1</p>  <p>Top Front Cross Rail</p>	<p>B X1</p>  <p>Top Back Cross Rail</p>	<p>C X2</p>  <p>Top Side Crossbar</p>	<p>D X2</p>  <p>Top Side Connect bar</p>
<p>E X1</p>  <p>Top Middle Connect Bar</p>	<p>F X2</p>  <p>Top Panel</p>	<p>G X1</p>  <p>Left Side Panel</p>	<p>H X1</p>  <p>Right Side Panel</p>
<p>I X1</p>  <p>Bottom Panel</p>	<p>J X1</p>  <p>Middle Fixed Shelf</p>	<p>K X2</p>  <p>Upper Fixed Shelf</p>	<p>L X1</p>  <p>Adjustable Shelf</p>
<p>M X1</p>  <p>Upper Back Panel</p>	<p>N X1</p>  <p>Back Cross Rial</p>	<p>O X1</p>  <p>Lower Back Panel</p>	<p>P X1</p>  <p>Left Door Panel</p>
<p>Q X1</p>  <p>Right Door Panel</p>			

HARDWARE LIST

<p>1 X23</p>  <p>Wood Dowel Ø8x30mm</p>	<p>2 X38</p>  <p>Cam Lock</p>	<p>3 X38</p>  <p>Cam bolt</p>	<p>4 X4</p>  <p>Shelf Support</p>
<p>5 X12</p>  <p>Plastic Wedge</p>	<p>6 X48</p>  <p>Flat Head Screw Ø3.5x14mm</p>	<p>7 X4</p>  <p>Hinge</p>	<p>8 X2</p>  <p>Handle</p>
<p>9 X1</p>  <p>Allen Key M4</p>	<p>10 X18</p>  <p>Round Head Screw Ø3.5x14mm</p>	<p>11 X4</p>  <p>"L" Connector</p>	<p>12 X4</p>  <p>Bolt M6x25mm</p>
<p>13 X1</p>  <p>Screwdriver</p>	<p>14 X4</p>  <p>Round Head Screw Ø4x25mm</p>	<p>15 X4</p>  <p>Anti-tipping Hardware</p>	<p>16 X4</p>  <p>Anchor</p>
<p>17 X2</p>  <p>Tie</p>			

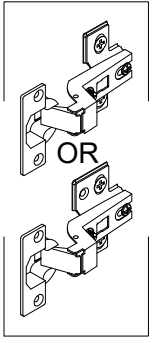
SPARE LIST

<p>1 X2</p>  <p>Wood Dowel Ø8x30mm</p>	<p>2 X2</p>  <p>Cam lock</p>	<p>3 X2</p>  <p>Cam bolt</p>	<p>4 X1</p>  <p>Shelf Support</p>
<p>5 X1</p>  <p>Plastic Wedge</p>	<p>6 X4</p>  <p>Flat head screw Ø3.5x14mm</p>	<p>10 X2</p>  <p>Round head Screw Ø3.5x14mm</p>	<p>12 X1</p>  <p>Bolt M6x25mm</p>

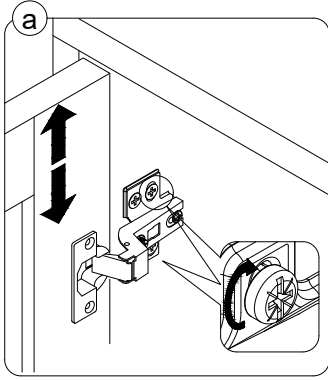
Before your installation, please make sure that you have all the parts listed on the manual. If you find something missing, stop installing and contact your supplier immediately.

NOTE: Should be assembled on soft surface to keep balance.

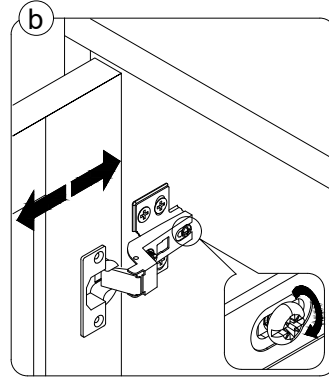
IF HAVE THIS ACCESSORY



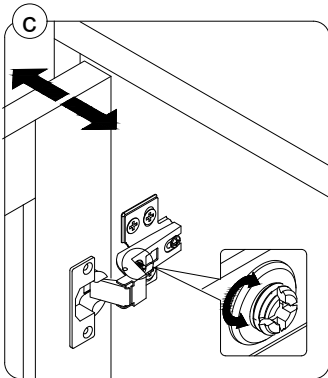
It may be necessary to adjust the hinges so that the doors align. Use the instructions below as a guide.



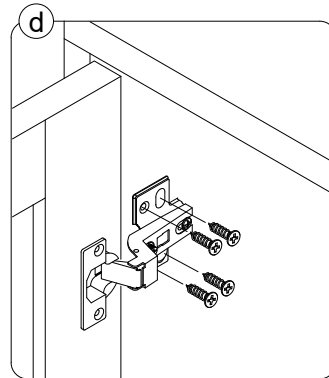
To adjust the door vertically loosen the screw as shown and move up and down as needed.



To adjust the gap from the door to the main frame turn the screw clockwise or anti-clockwise as needed.

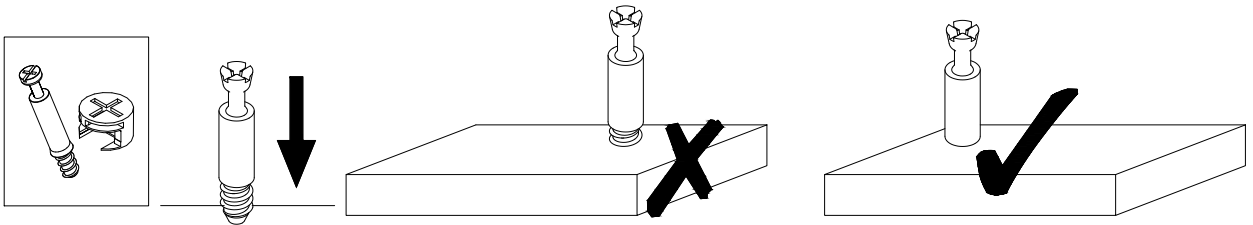


To adjust the door laterally adjust the screw as shown by turning clockwise or anti-clockwise.

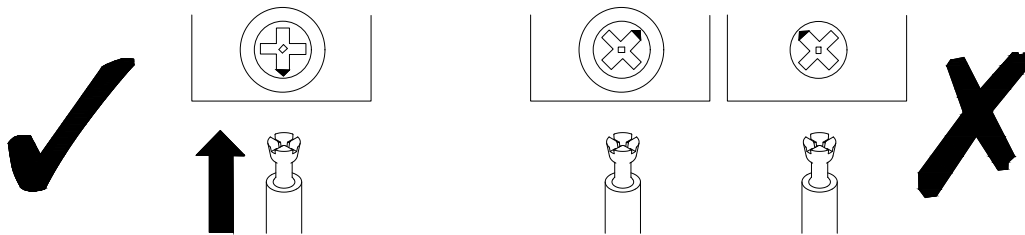


Please fix all screws.

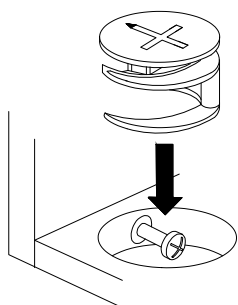
IF HAVE THIS ACCESSORY



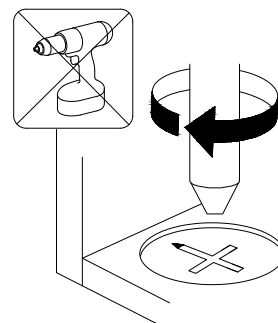
QUICKFIT: Tighten quickfit until shoulder is flush with panel. Do not overtighten or undertighten.



CAM LOCK: When fitting cam lock, ensure starting position is correct before you insert connecting quickfit.


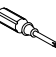


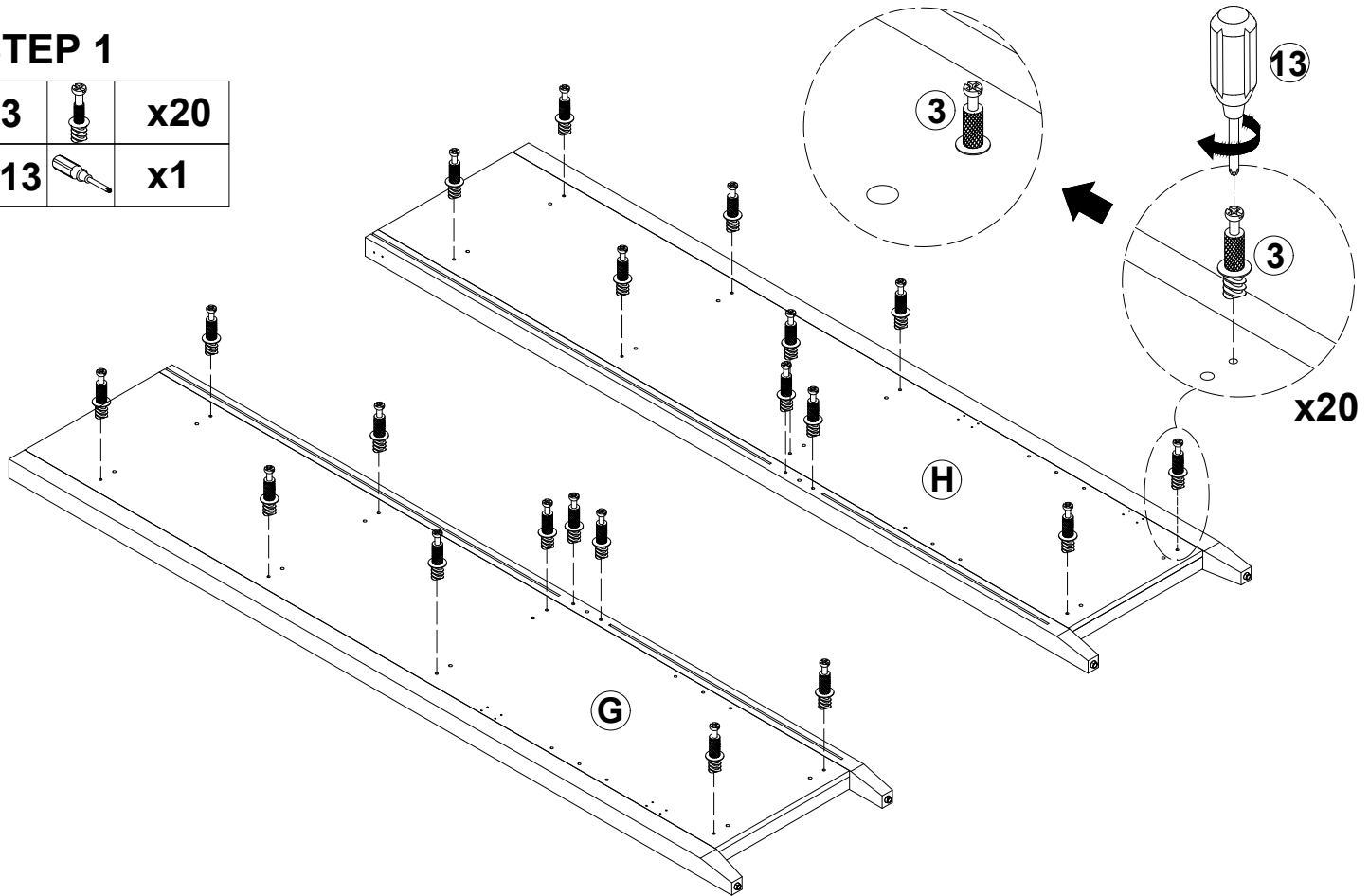
Quickfit head should be in the centre of the cam lock when the two panels are joined.



Turn cam lock clockwise to tighten.


STEP 1

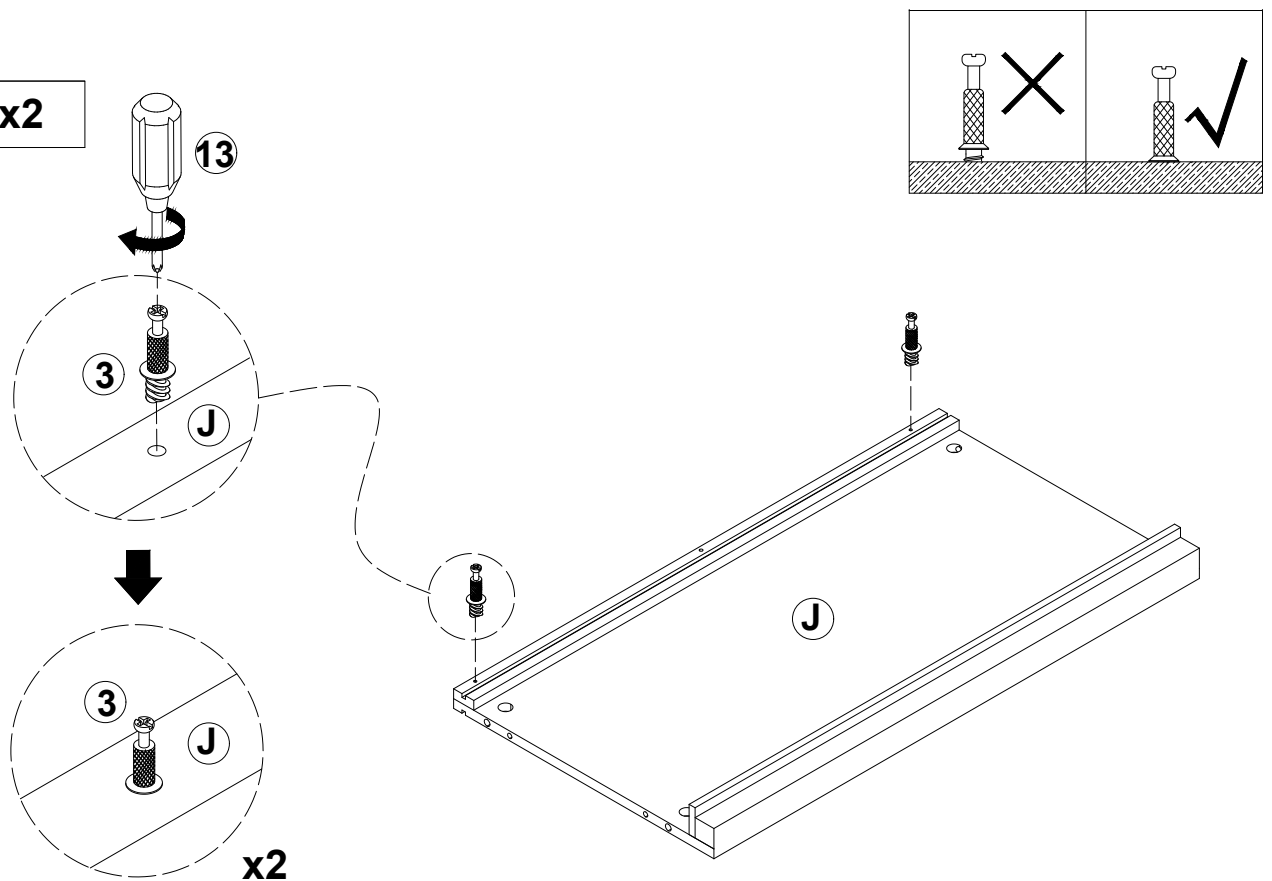
3		x20
13		x1



Insert cam bolts (3) into left side panel (G) and right side panel (H) and tighten them with the screwdriver(13) .



STEP 2

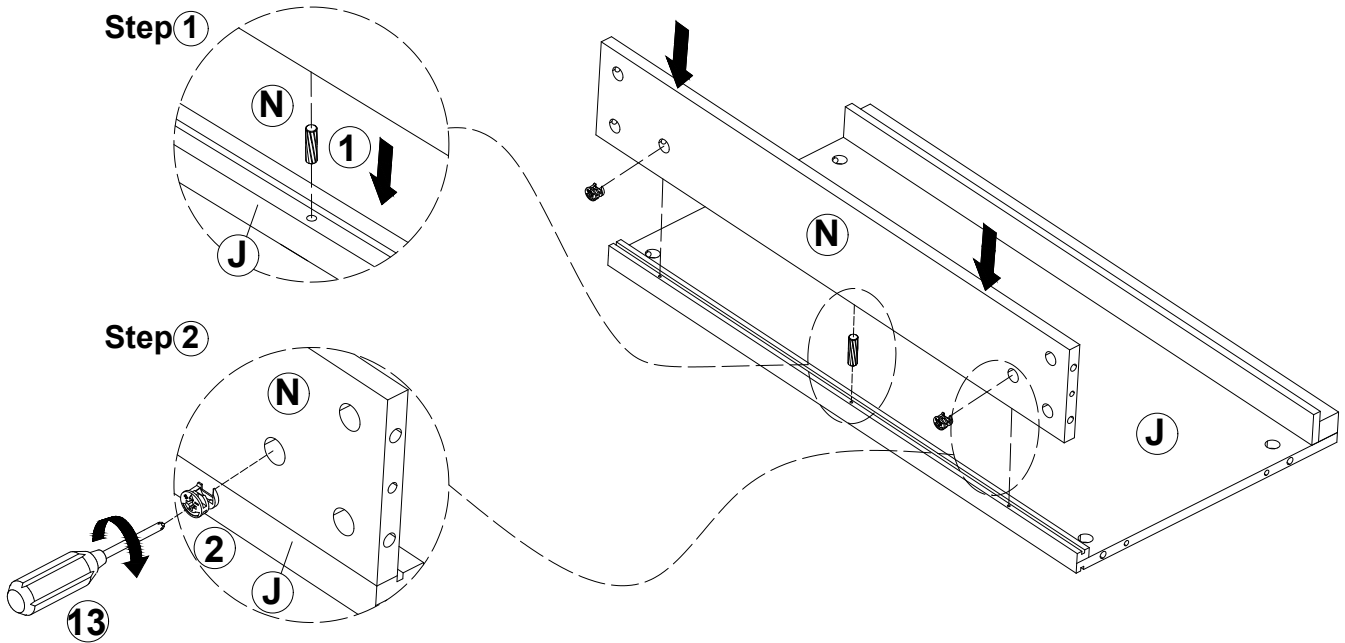
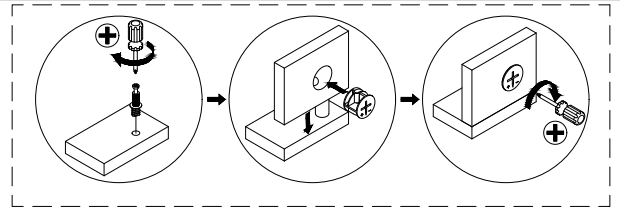
3		x2
---	---	----



Insert cam bolts (3) into middle fixed shelf (J) and tighten them with the screwdriver(13) .



STEP 3

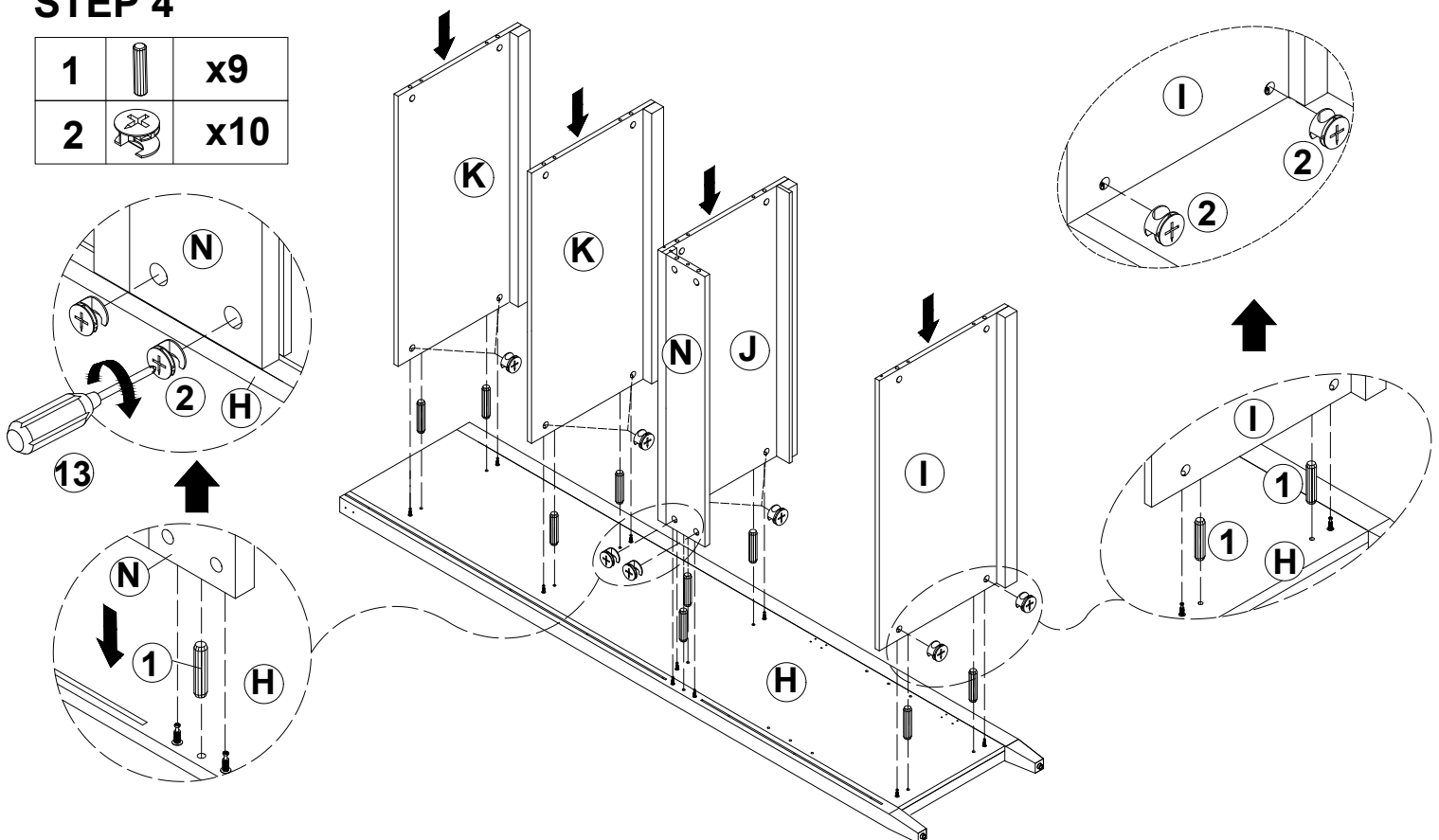
1		x1
2		x2



Insert wood dowels (1) into hole of middle fixed shelf (J) connect with back cross rail (N) and secure with cam lock (2) and tighten them with the screwdriver(13) .

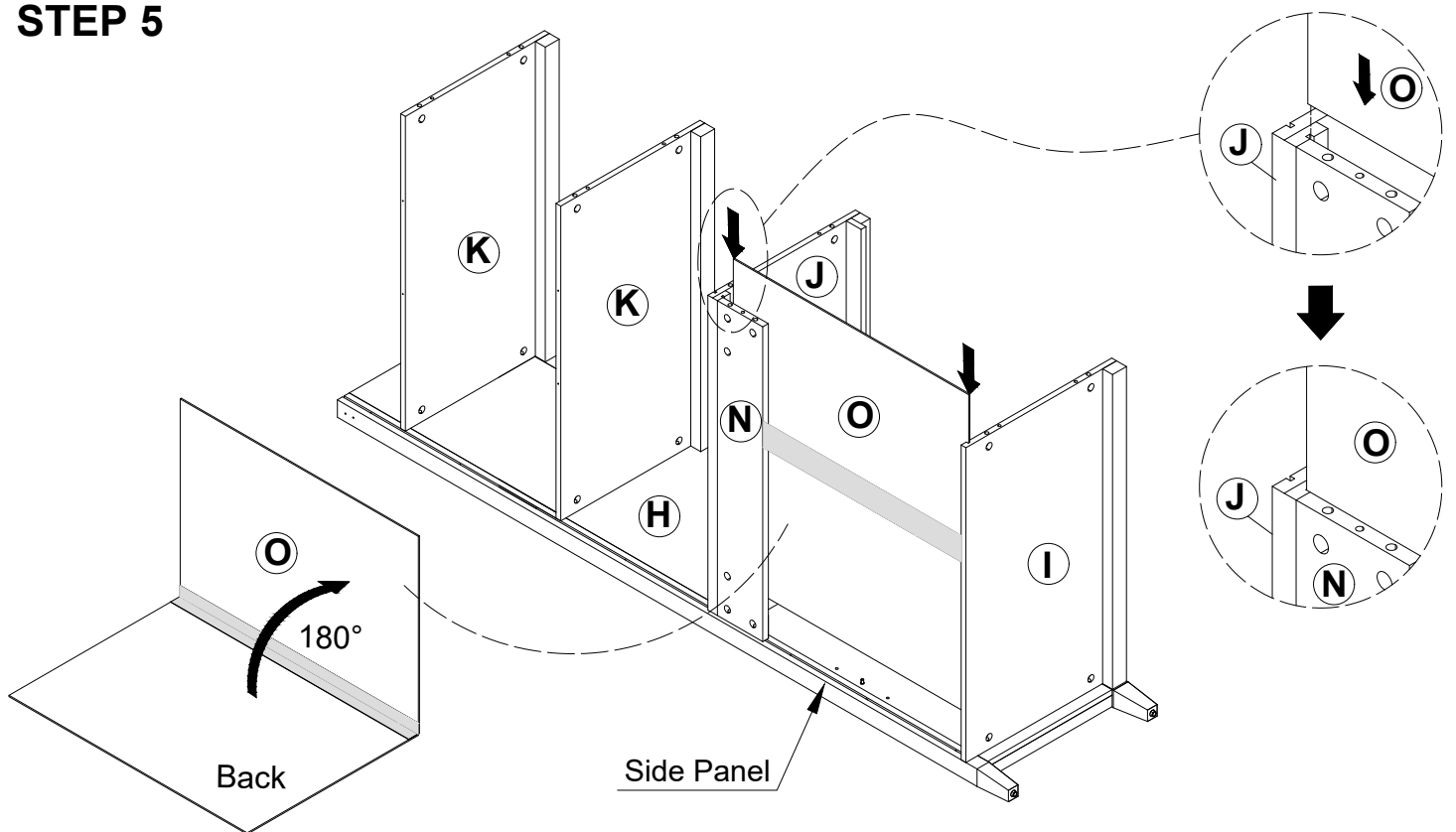
STEP 4

1		x9
2		x10



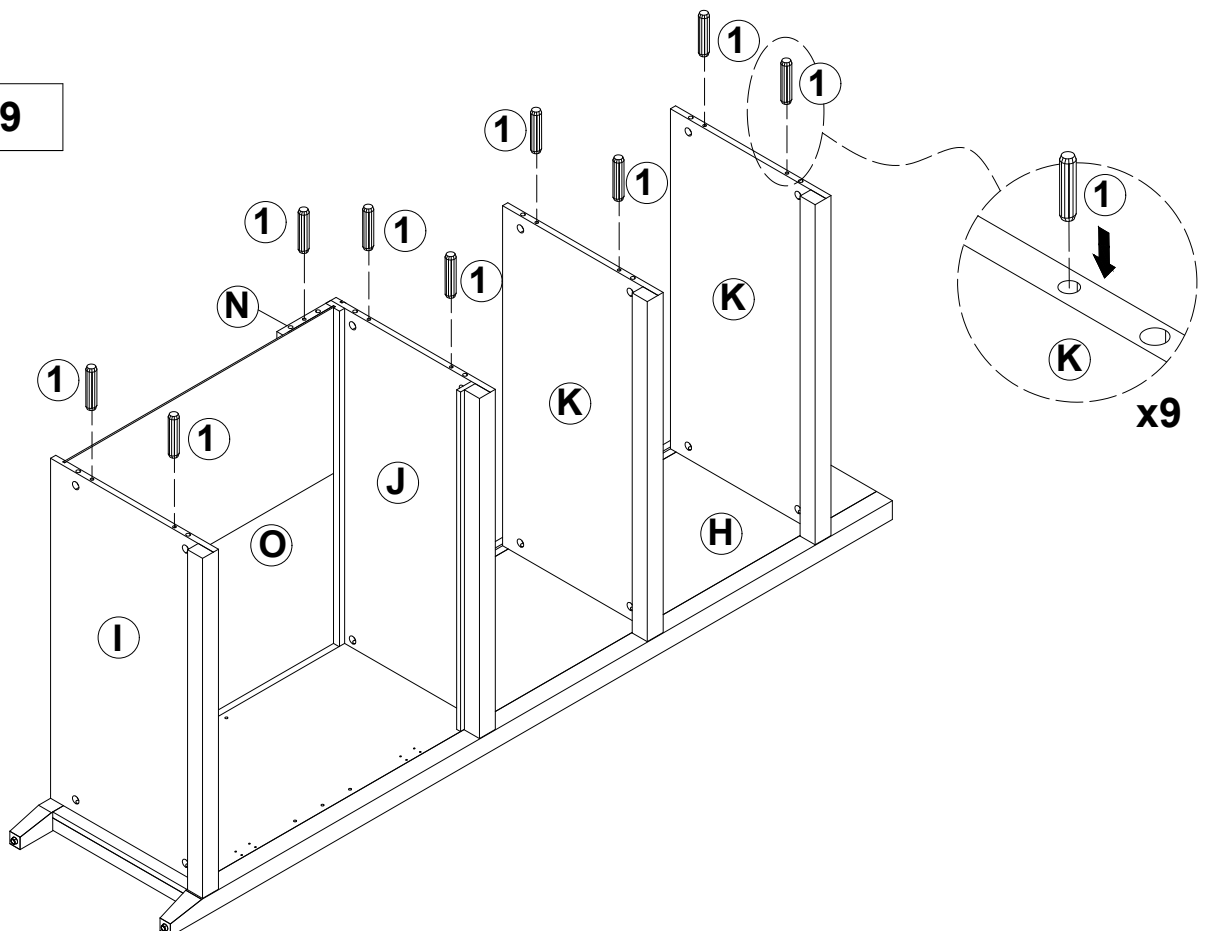
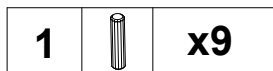
Insert wood dowels (1) into holes of right side panel (H) connect with parts (I) & (J) & (K) & (N) .
Using cam lock (2) and tighten them with the screwdriver(13) as shown.

STEP 5




Open the folded lower back panel(O), Align it with the slot, then insert the lower back panel(O) into the slots of the right side panel (H) and back cross rail (N) and bottom panel (I).

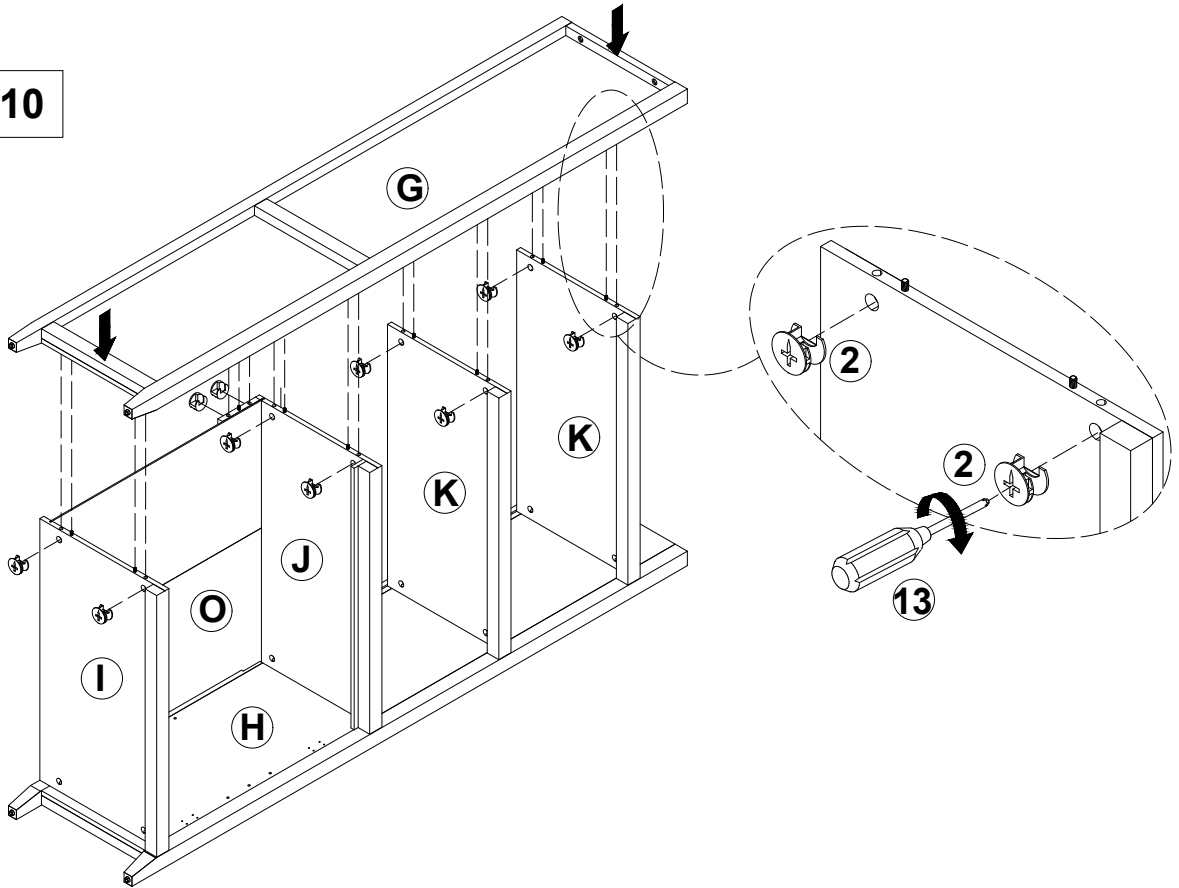
STEP 6



Insert wood dowel (1) into hole of parts (I) & (J) & (K) & (N) as shown.

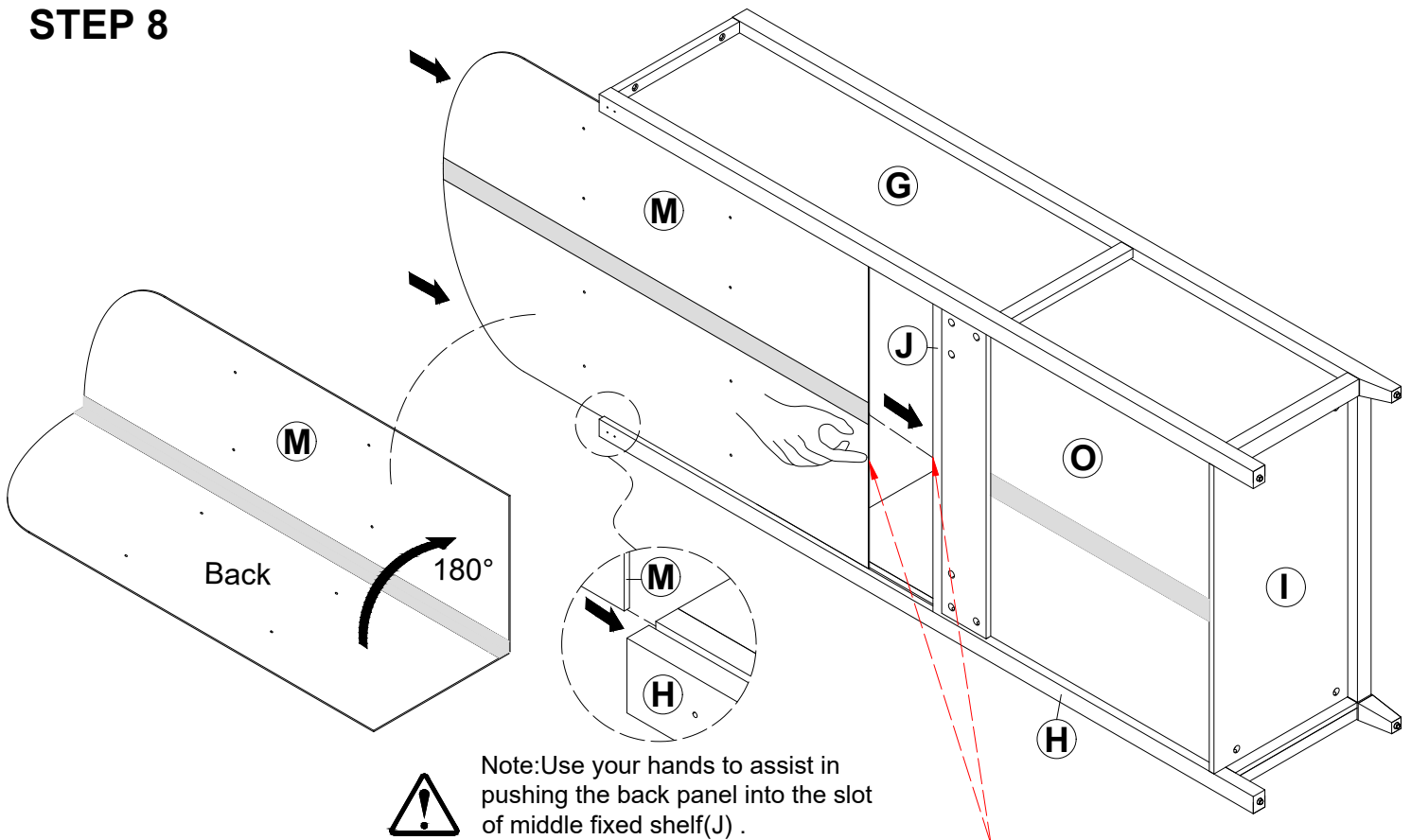
STEP 7

2  x10



Insert left side panel (G) into parts(I) & (J) & (K) & (N) ,Using cam lock (2) and tighten them with the screwdriver(13) as shown.

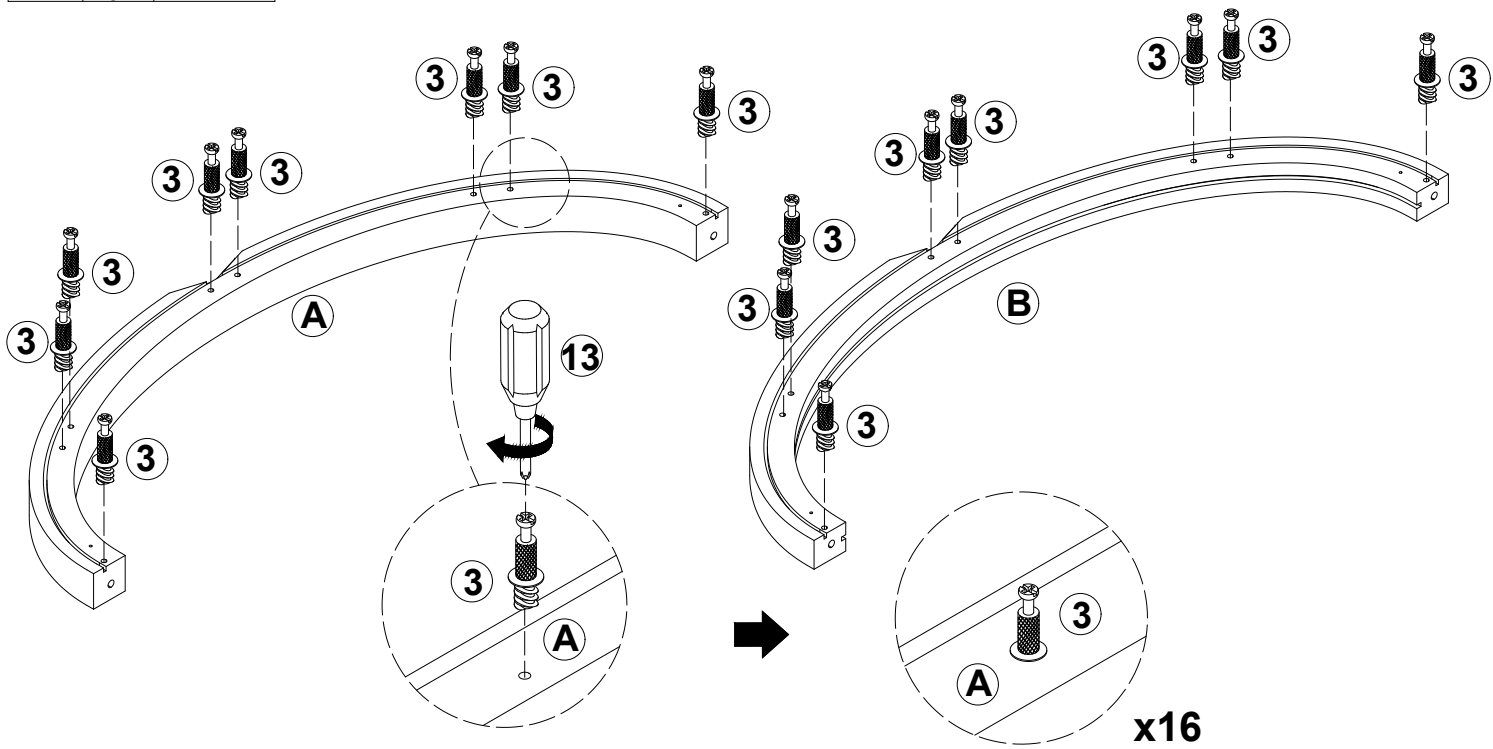
STEP 8



Open the folded upper back panel (M) , Then align it and insert upper back panel (M) into the slot of parts(G)(H)(J) as shown.

STEP 9

3 x16



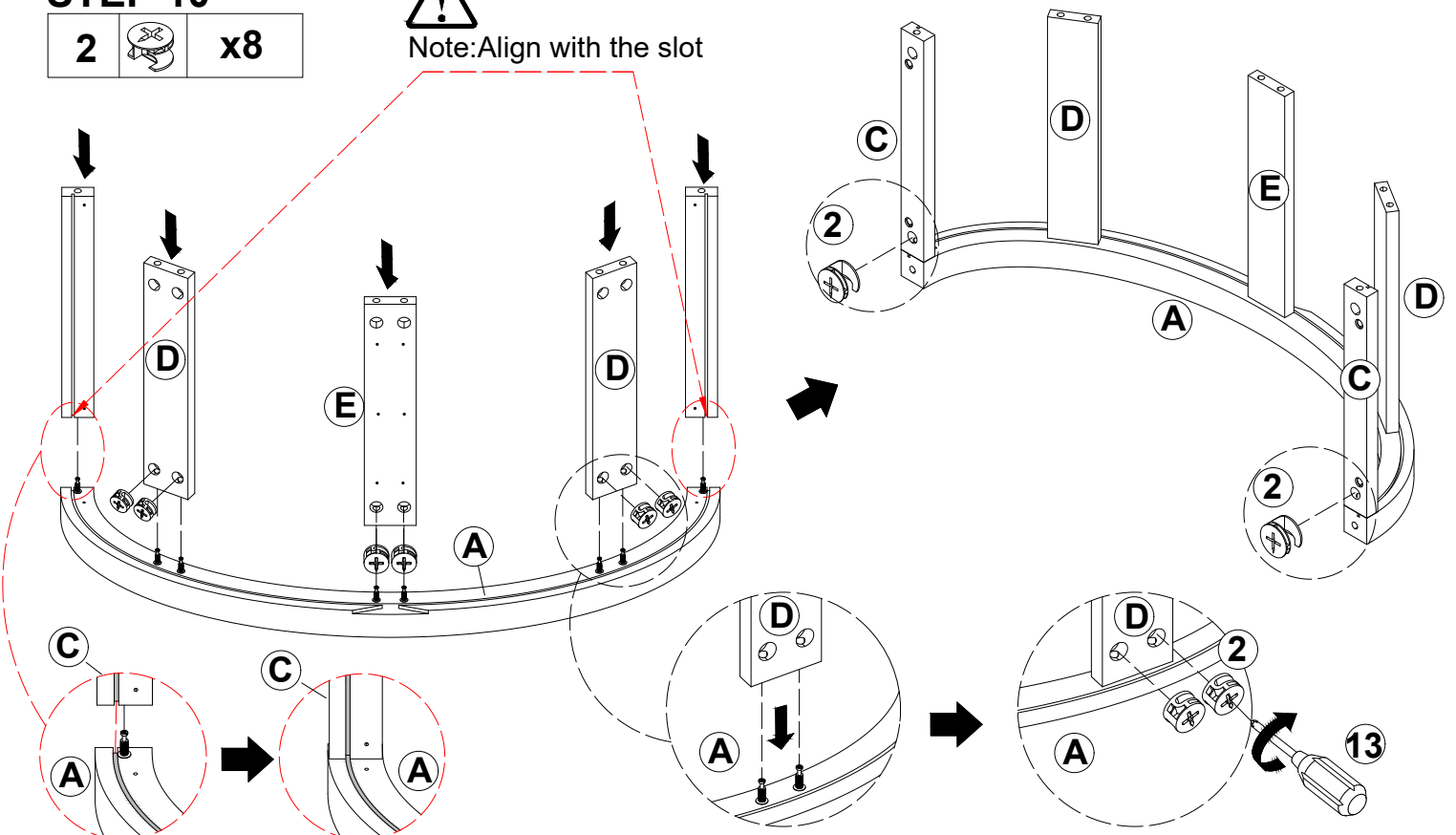
Insert cam bolts (3) into hole of parts (A) and (B) and tighten them with the screwdriver as shown.

STEP 10

2 x8



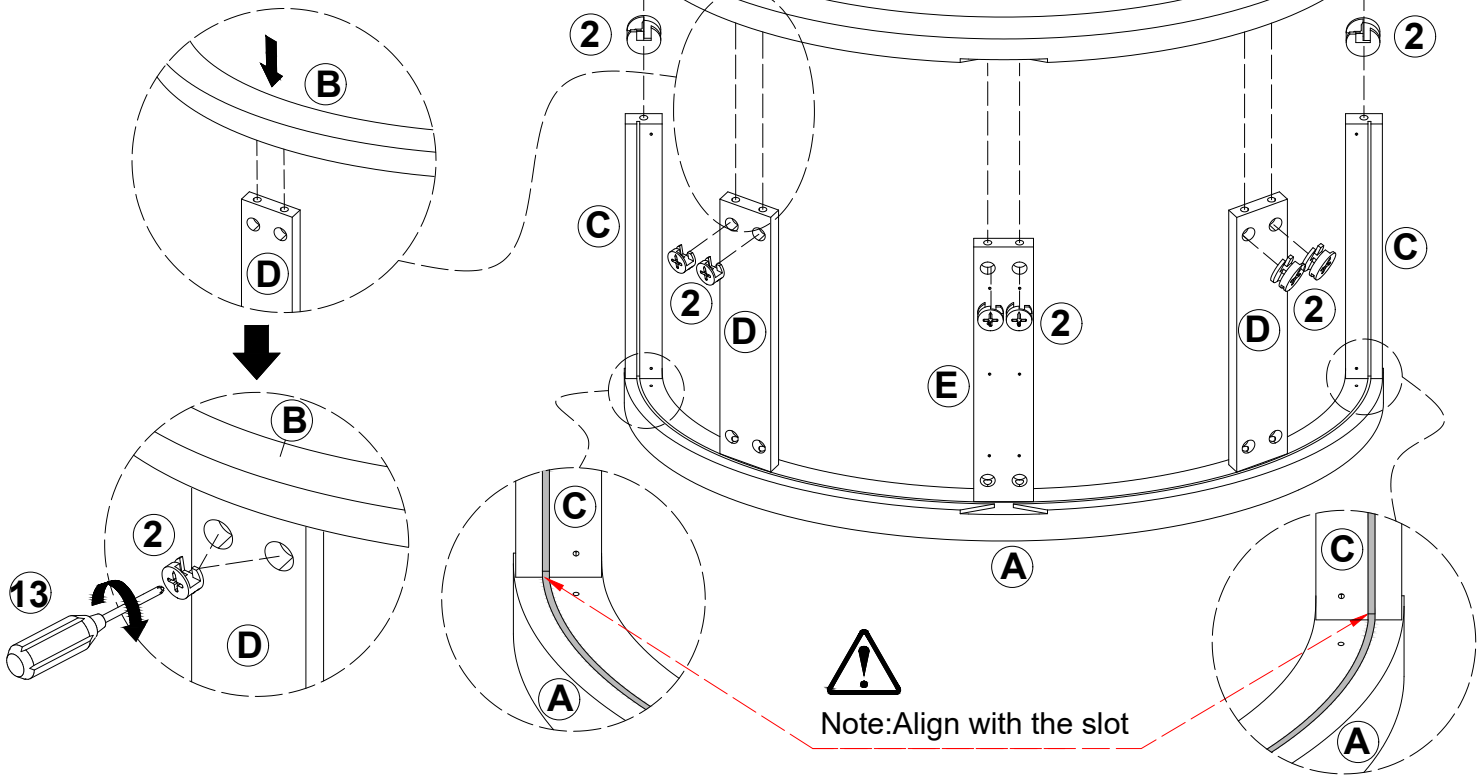
Note: Align with the slot



Insert (C) & (D) & (E) into the top front cross rail (A) and using cam lock (2) tighten them with screwdriver to attach.



STEP 11

2		x8
---	---	----

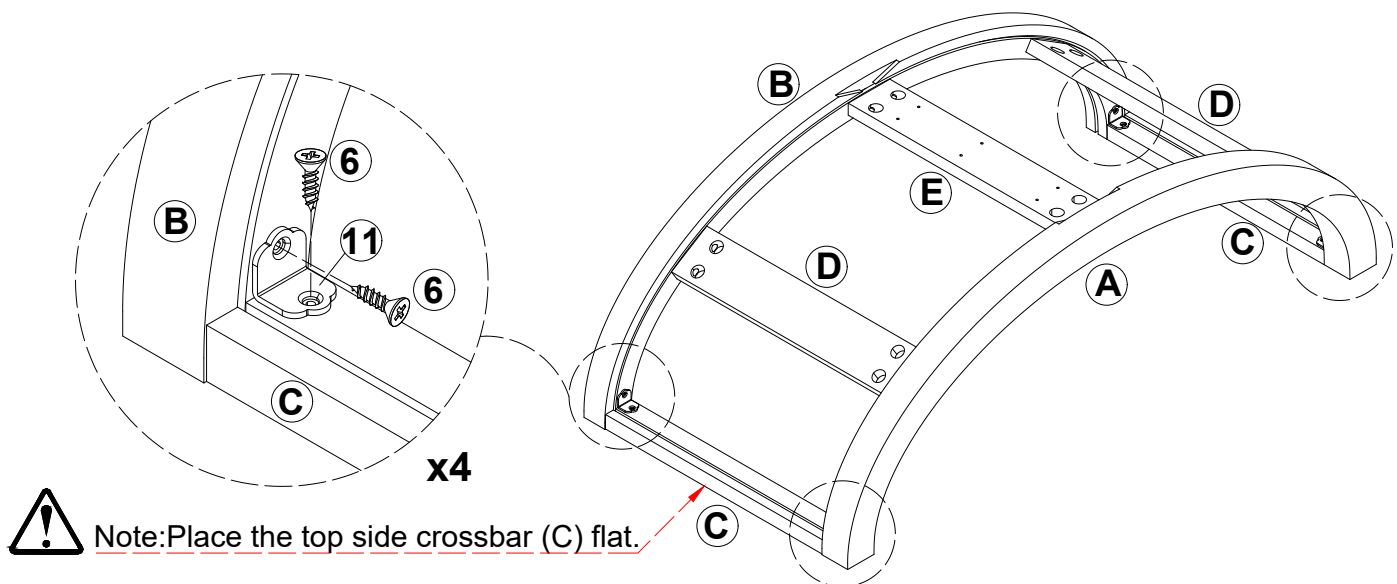


The assembly method is the same as STEP10.

STEP 12

11		x4
6		x8

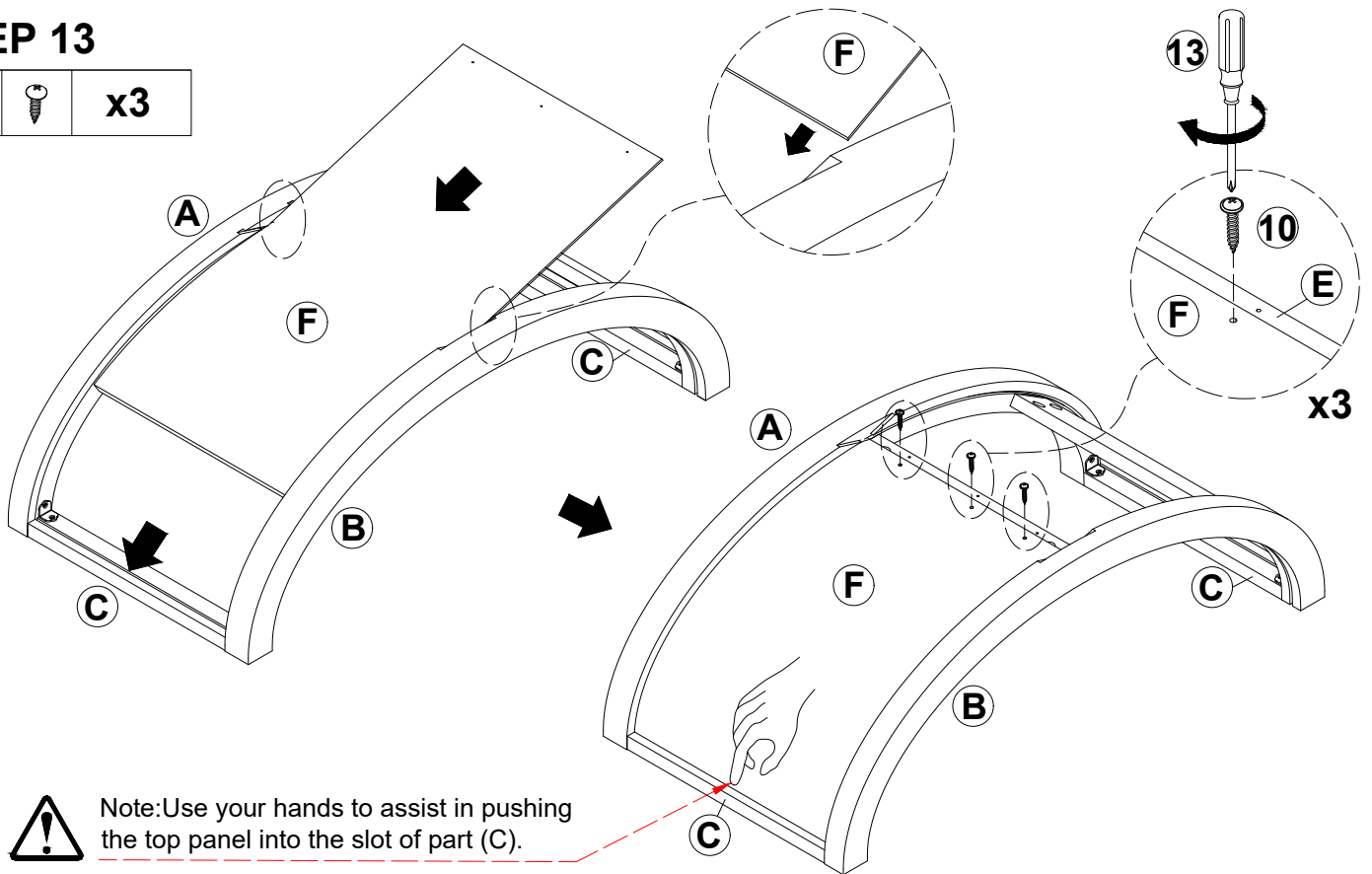
Flat head screw
Ø3.5x14mm



Use screw (6) to attach L connector (11) and panel (A) & (B) & (C).

STEP 13

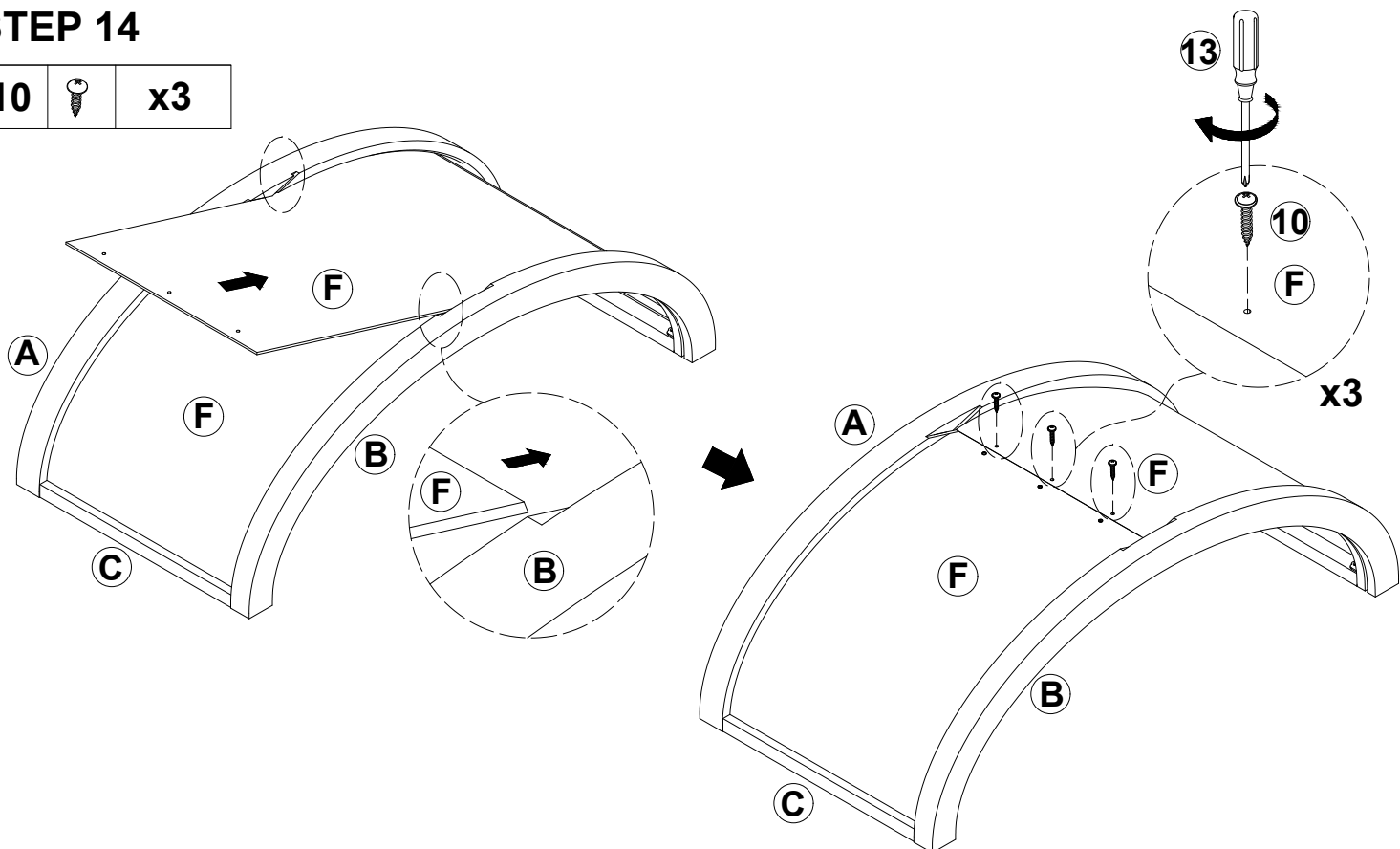
10  x3



Insert top panel (F) into the slot of parts (A) & (B) and using screw (10) tighten them with screwdriver(13) .




STEP 14

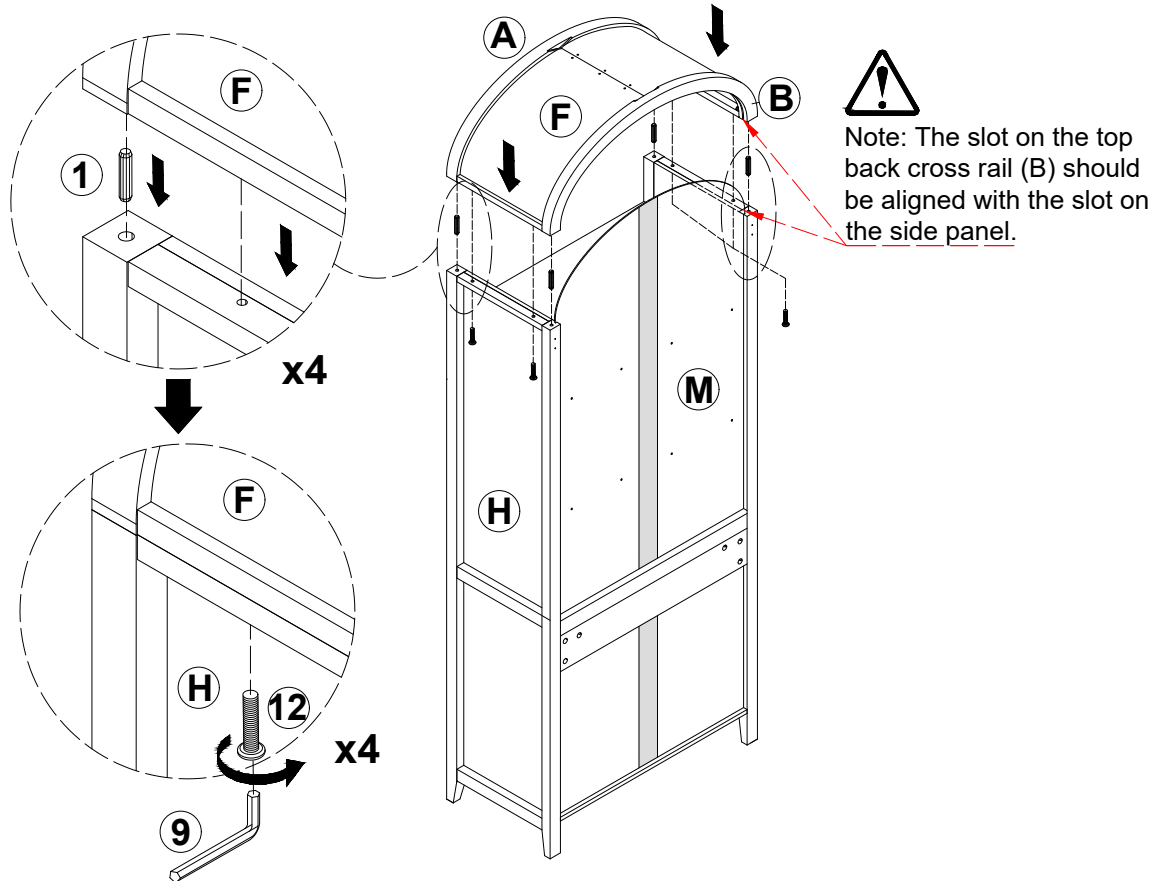
10  x3



Insert top panel (F) into the slot of parts (A) & (B) and using screw (10) tighten them with screwdriver(13) .





STEP 15

1		x4
9		x1
12		x4



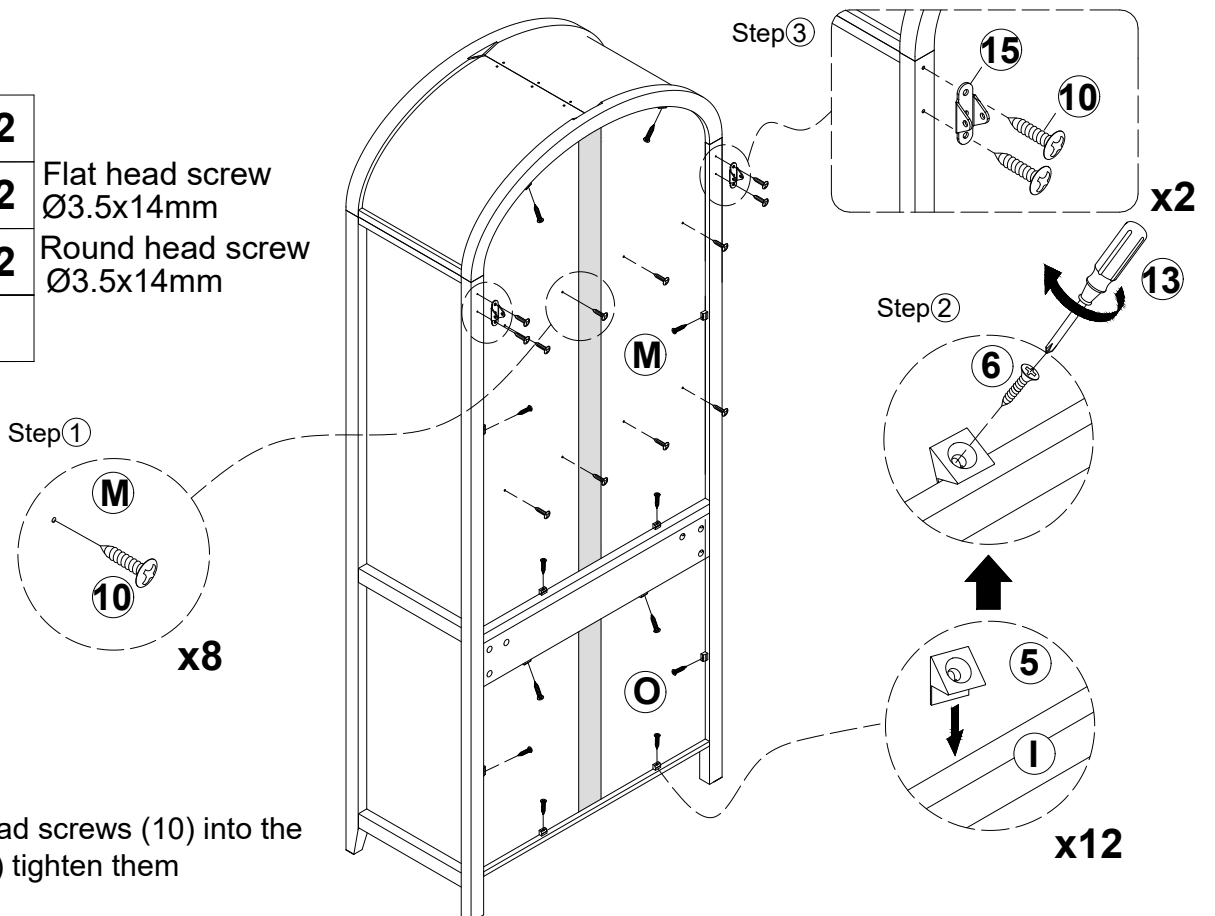
Insert wood dowels (1) into holes of left side panel (G) and right side panel (H) and connect top side panel (C), Using bolts (12) and tighten with Allen key (9) as shown.

STEP 16

5		x12
6		x12
10		x12
15		x2

Flat head screw
Ø3.5x14mm

Round head screw
Ø3.5x14mm

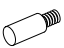


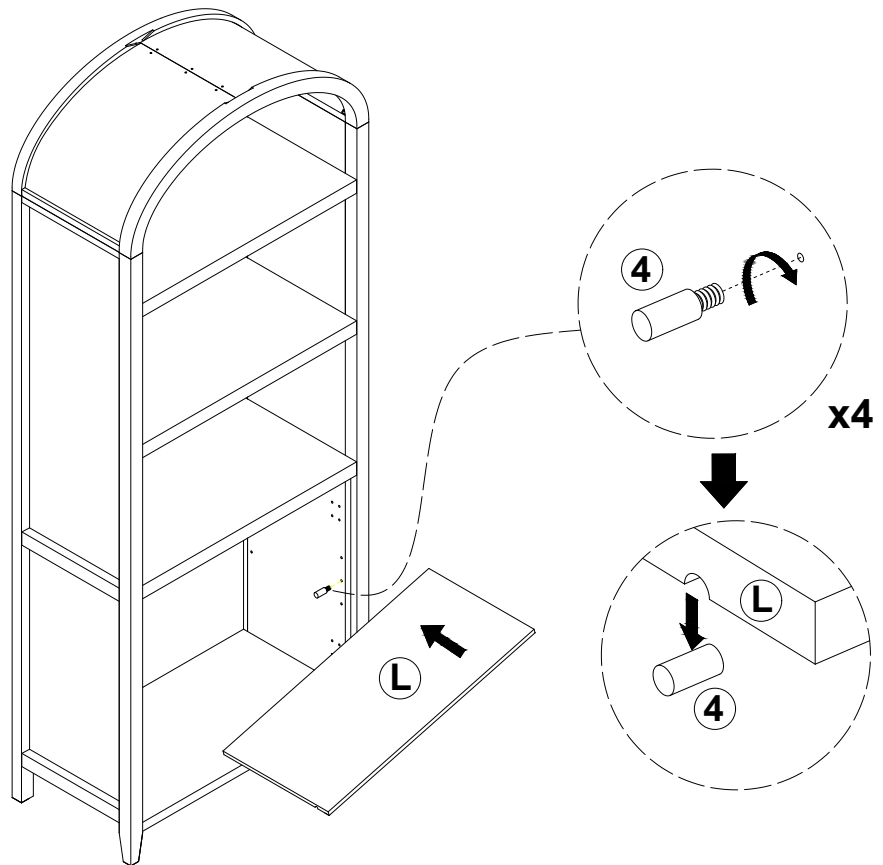
1. Insert the round head screws (10) into the holes of the parts (M) tighten them with screwdriver.

2. Insert the plastic wedge (5) into the gap at the edge of the back panel, then insert the flat head screw (6) into the hole of the plastic wedge (5) and tighten them with a screwdriver (13).

3. Anti-tipping hardware (15) using round head screw (10) to attach as shown.

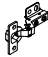

STEP 17

4		x4
---	---	----

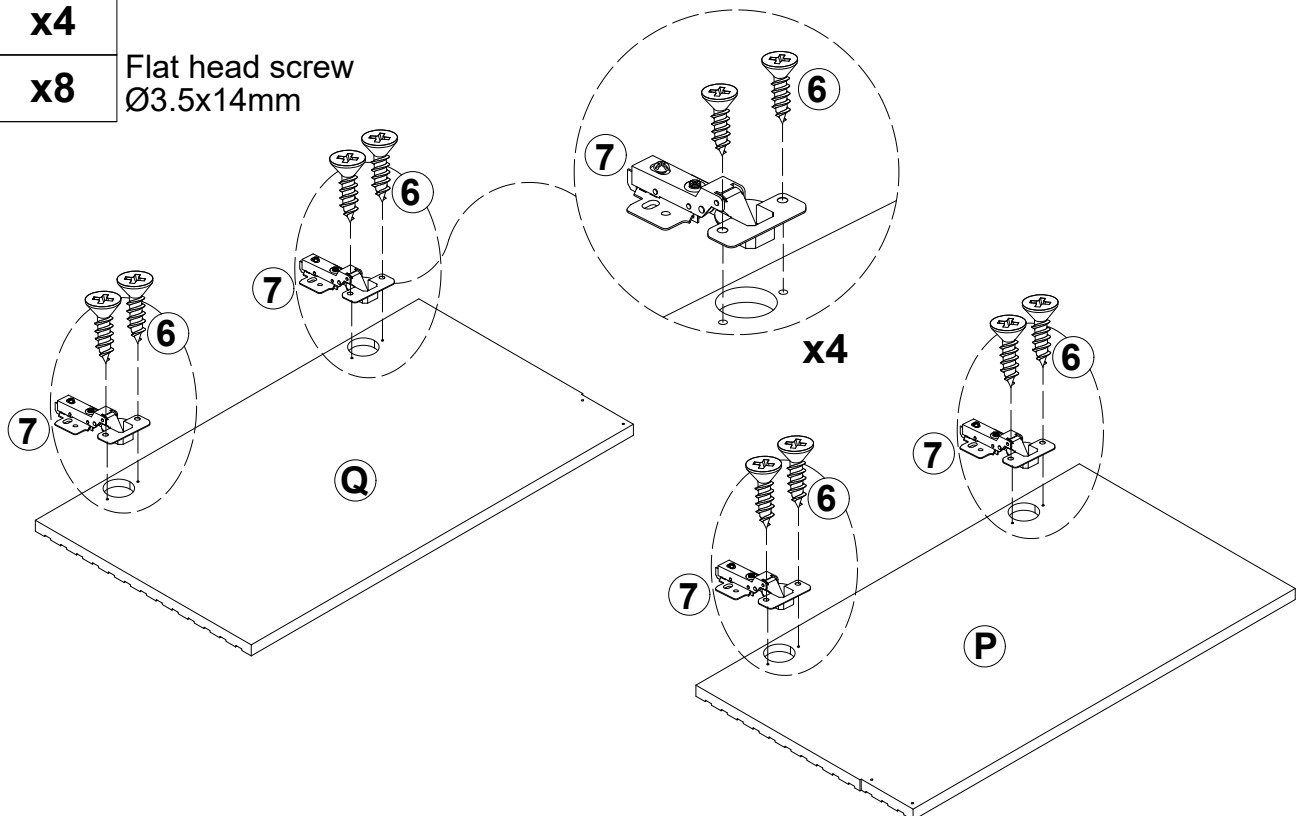


Rotating into the shelf support (4) ,Place adjustable shelf (L) onto the it as shown.

STEP 18



7		x4
6		x8

Flat head screw
Ø3.5x14mm

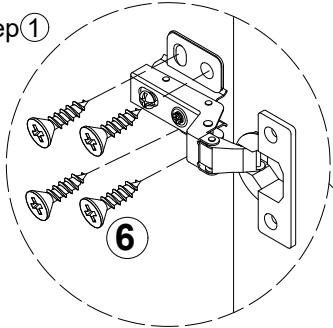


Attach the hinge (7) on left door panel (P) and right door panel (Q) using flat head screw (6) as shown.

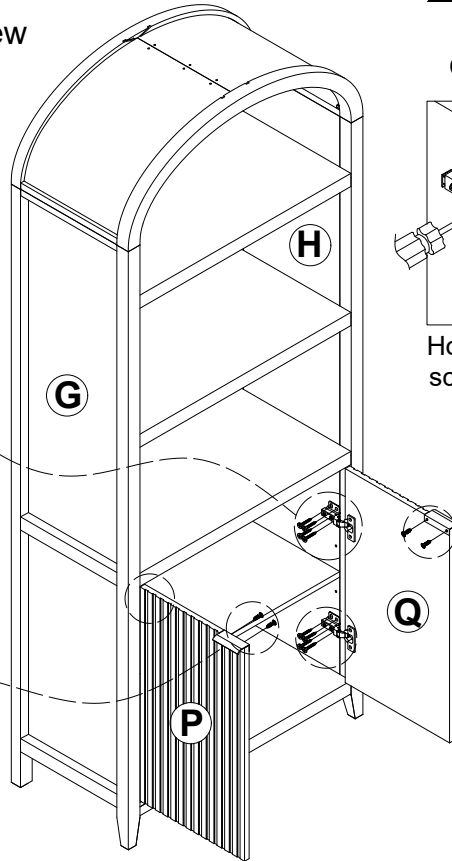
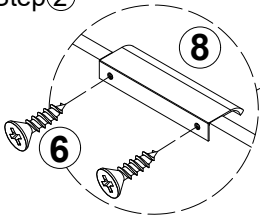
STEP 19


6		x20	Flat head screw Ø3.5x14mm
8		x2	

Step 1

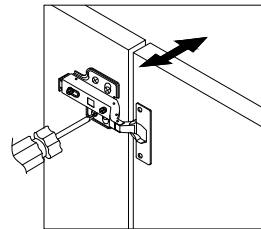


Step 2

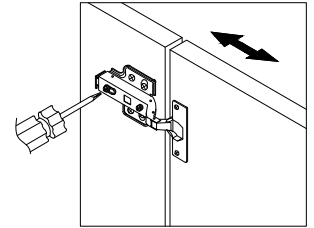


 Close the door, if the doors are please adjust it as shown.

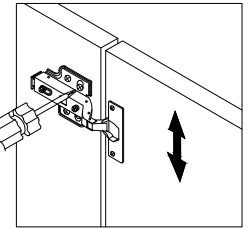
Concealed hinges are three-way adjustable.



Horizontal by
screw adjustment






In-and-Out
by loosening the hinge-arm
mounting screw or via cam
adjustment

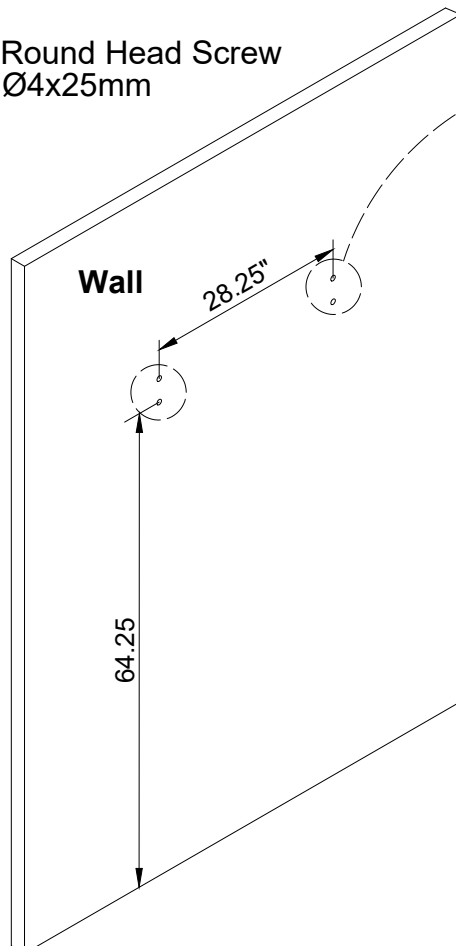


Vertical
Via slots in the mounting
plate or via cam adjustment

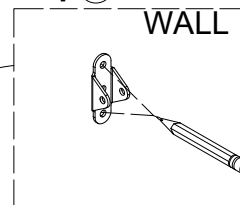
1. Fix the hinges attached to the door using screws (6) onto the cabinet, and tighten them with screwdriver.
2. Attach handle (8) to door with screws (6), tight screws with screwdriver.

STEP 20

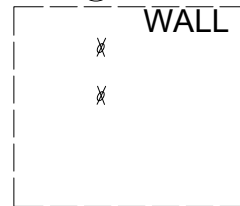
14		x4	Round Head Screw Ø4x25mm
15		x2	
16		x4	



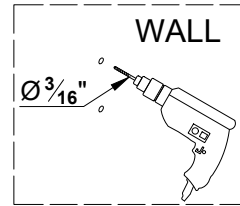
Step 1



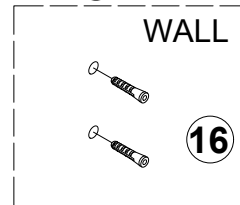
Step 2



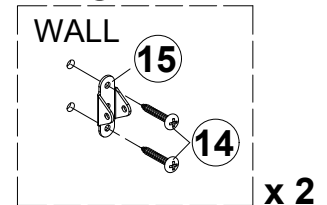
Step 3




Step 4

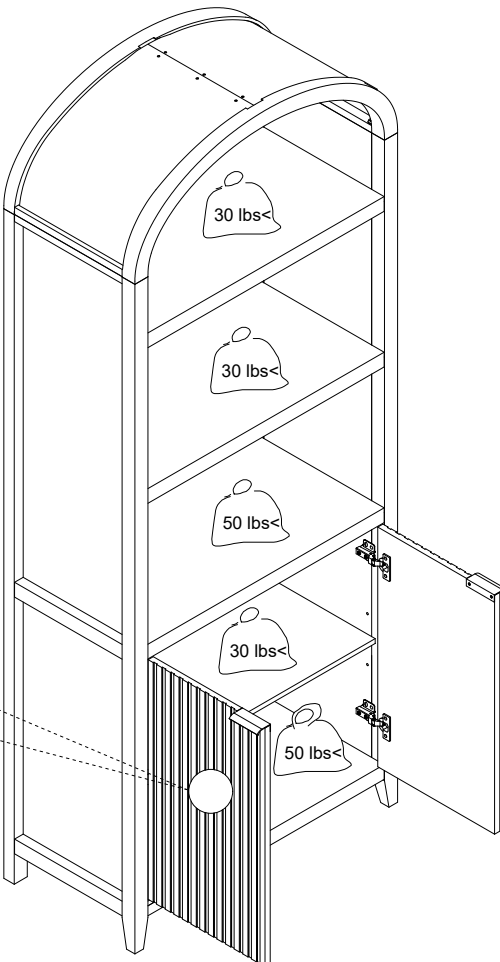
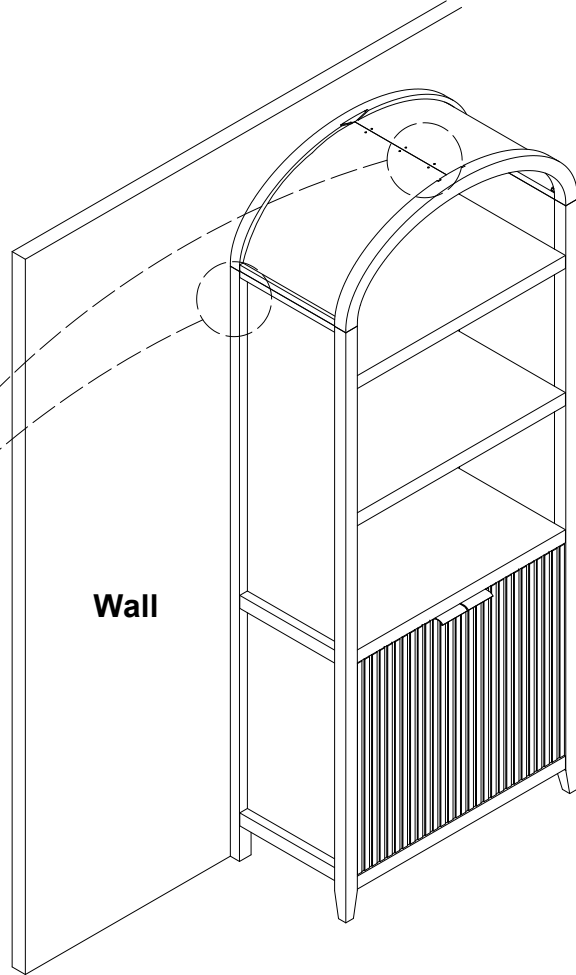
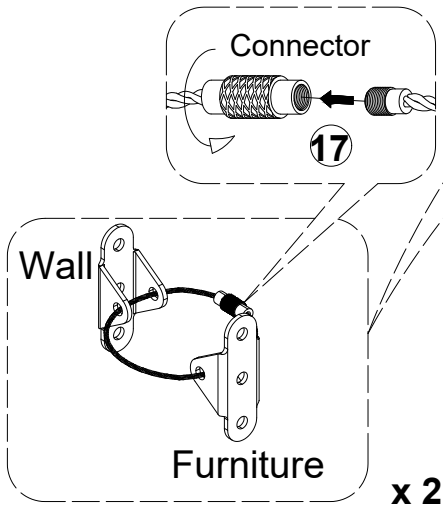


Step 5



STEP 21

17		x2
----	---	----



⚠ WARNING	
	<p>Children have died from furniture tipover. To reduce the risk of furniture tipover:</p> <ul style="list-style-type: none"> • ALWAYS install tipover restraint provided. • NEVER put a TV on this product. • NEVER allow children to stand, climb or hang on drawers, doors, or shelves. • NEVER open more than one drawer at a time. • Place heaviest items in the lowest drawers. <p><i>This is a permanent label. Do not remove!</i></p>
	

The anti tipping warning sign is located on the inside of the left door.

MAINTENANCE

AND WARNING



- Keep furniture away from heat.
- Do not clean furniture with harsh cleansers or polish. Do not use detergents, Solvents, abrasives, spray packs or leather cleaner. Use non , color mild soap with warm water clean spills(Mix 1:10 soap to water)
- Do not place furniture under direct sunlight, material will possibly fade over time.
- Do not use on site dry Cleaning machine.
- Children should not climb or jump on the furniture.
- Do not write on furniture without a padded barrier to protect the surface.
- Not for commercial use, For residential use only.
- The maximum load is 190 LBS

WARRANTY

We strive to offer high , quality products, and we also try our best to satisfy each and every customer that orders from us with product or service as needed. We provide 30 days warranty starting from the time you receive the item.Each customer must provide a record of their order such as the order number, or item receipt for any items that are out of the warranty period you may also still receive replacement parts by purchasing them with our company if they are available.

Are you having difficulty with assembly? Missing parts? Please send email with your order No

For return, please check the return policy with the retailer or market place you bought from.Appreciate your purchasing from us. Pop up your life by our furniture piece!