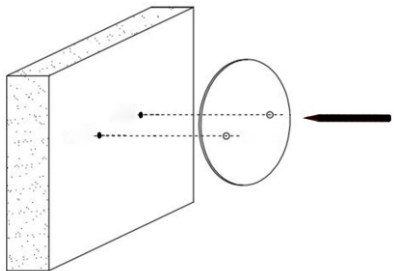


Remote Control User Manual



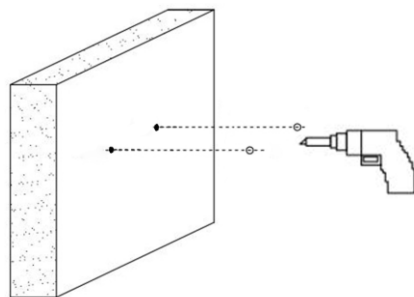
User Guide

1



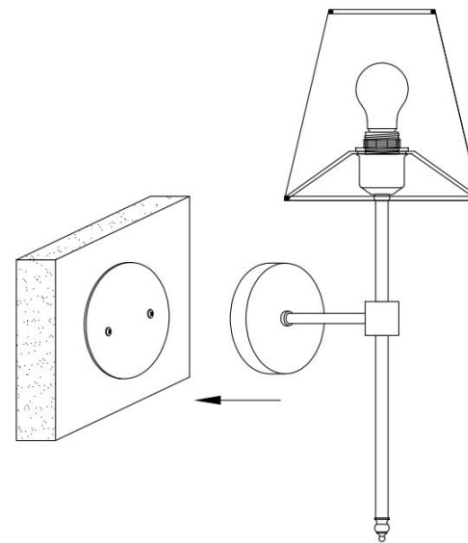
Step1: Use the hanging board as a reference and draw a mark on the wall.

2



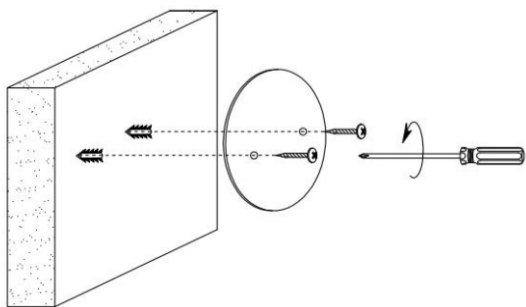
Step 2: Use an electric drill to drill holes for hanging boards on the wall.

5



Step5: Attach the lamp base to the magnetic base plate.

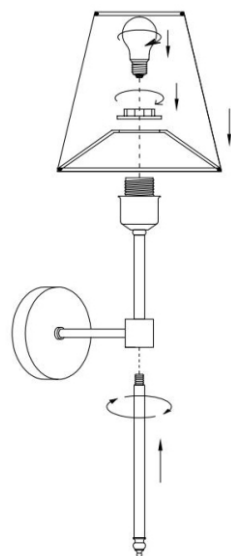
3



Step3: Fix the expansion screws in the drilled holes and secure the base plate with the screws.

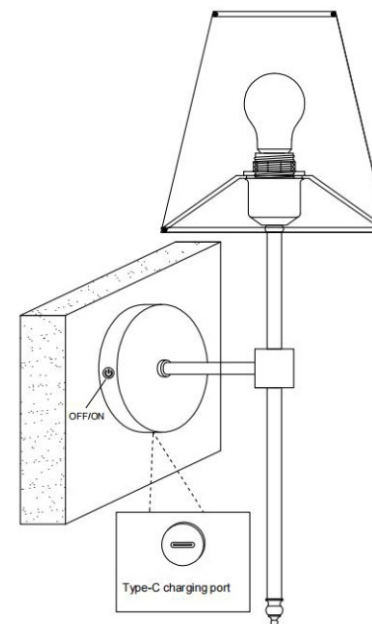
Note: To ensure smooth base plate installation, please avoid fully tighten one of the screws directly until you are sure both of the screws are positioned correctly.

4



Step4: Place the lamp shade into the lamp head. Lock and secure it with the lamp head ring. Then, screw the lamp bulb into the lamp head.

6



Step6: Installation is completed. Switch on, it lights up.