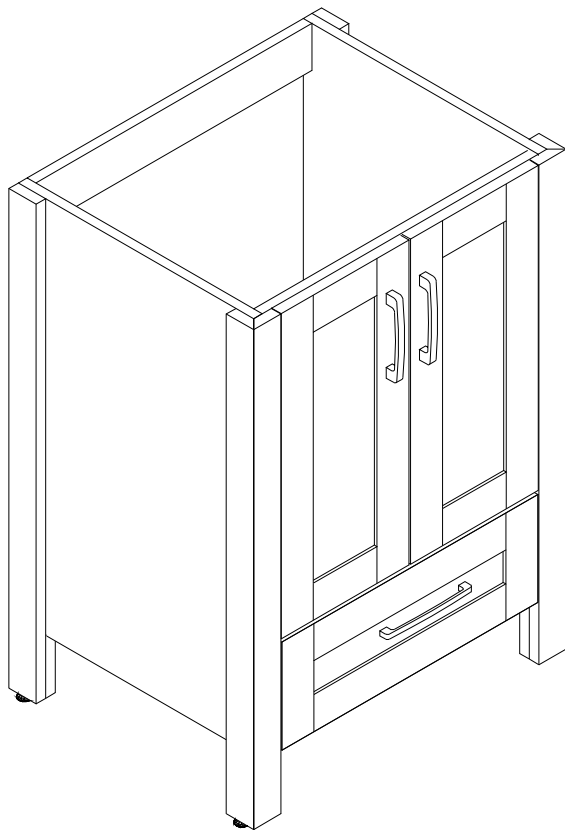


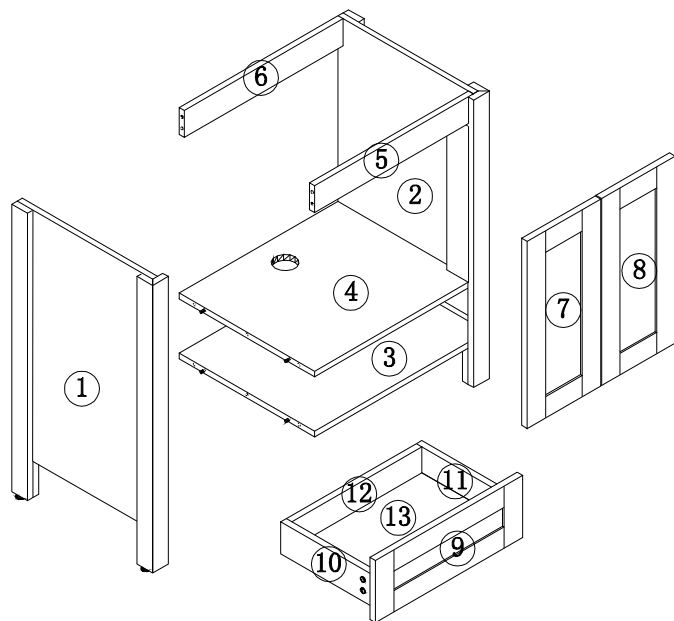
# DIMENSIONS



# PARTS LIST

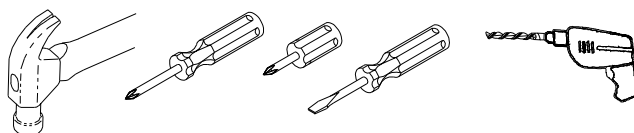
| PARTS LIST |             |     | HARDWARE LIST |             |     |
|------------|-------------|-----|---------------|-------------|-----|
| NO         | DESCRIPTION | QTY | NO            | DESCRIPTION | QTY |
| ①          |             | 1   | A             |             | 20  |
| ②          |             | 1   | B             |             | 20  |
| ③          |             | 1   | C             |             | 20  |
| ④          |             | 1   | D             |             | 12  |
| ⑤          |             | 1   | E             |             | 4   |
| ⑥          |             | 1   | F             |             | 36  |
| ⑦          |             | 1   | G             |             | 6   |
| ⑧          |             | 1   | H             |             | 3   |
| ⑨          |             | 1   | I             |             | 2   |
| ⑩          |             | 1   |               |             |     |
| ⑪          |             | 1   |               |             |     |
| ⑫          |             | 1   |               |             |     |
| ⑬          |             | 1   |               |             |     |
|            |             |     |               |             |     |
|            |             |     |               |             |     |
|            |             |     |               |             |     |
|            |             |     |               |             |     |
|            |             |     |               |             |     |
|            |             |     |               |             |     |
|            |             |     |               |             |     |

# ASSEMBLY DIAGRAM



CAUTION: Please confirm the parts list before installation

YOU MAY NEED (NOT SUPPLIED)

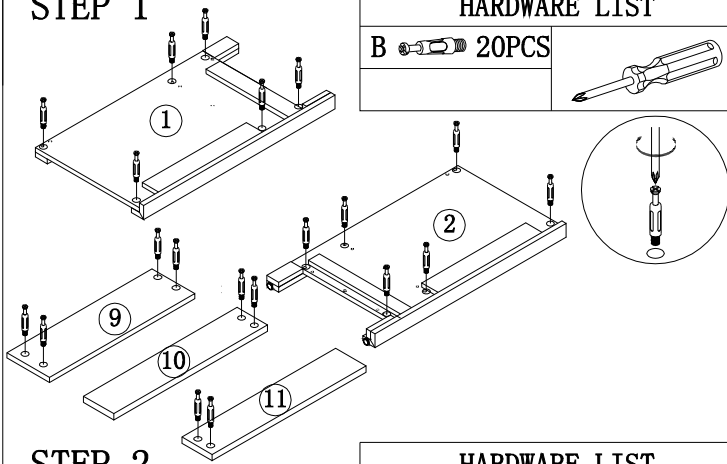
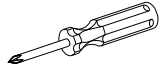


# INSTALLATIONS

## STEP 1

### HARDWARE LIST

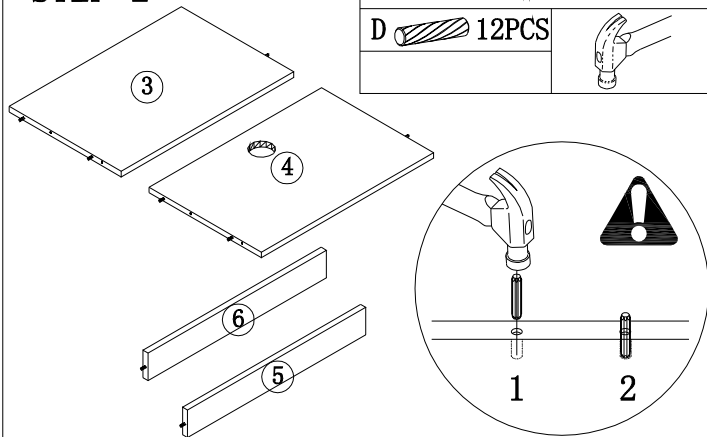
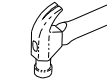
B  20PCS



## STEP 2

### HARDWARE LIST

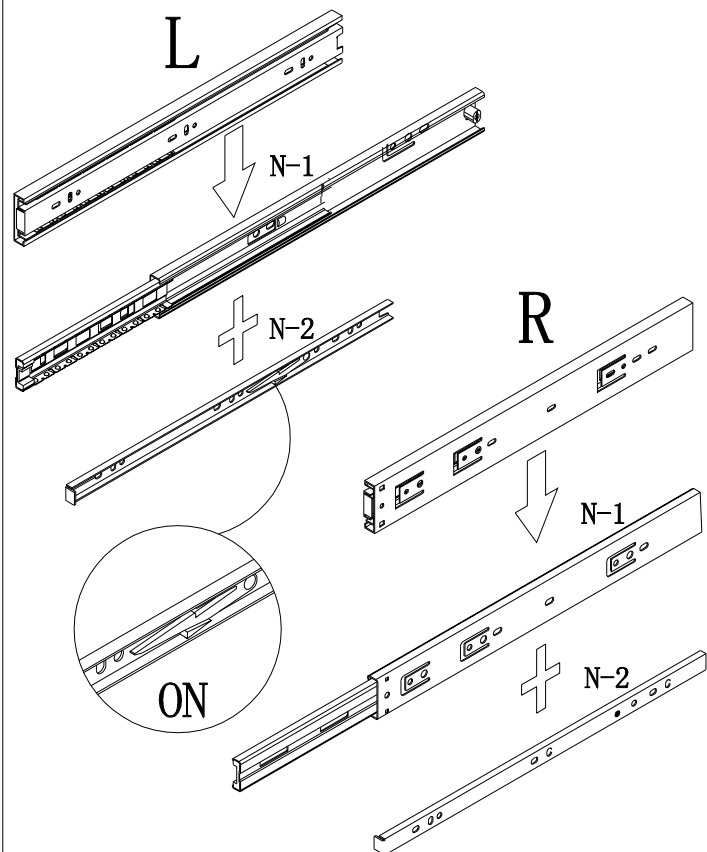
D  12PCS



## STEP 3

### HARDWARE LIST

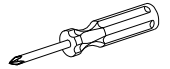
I  2PCS



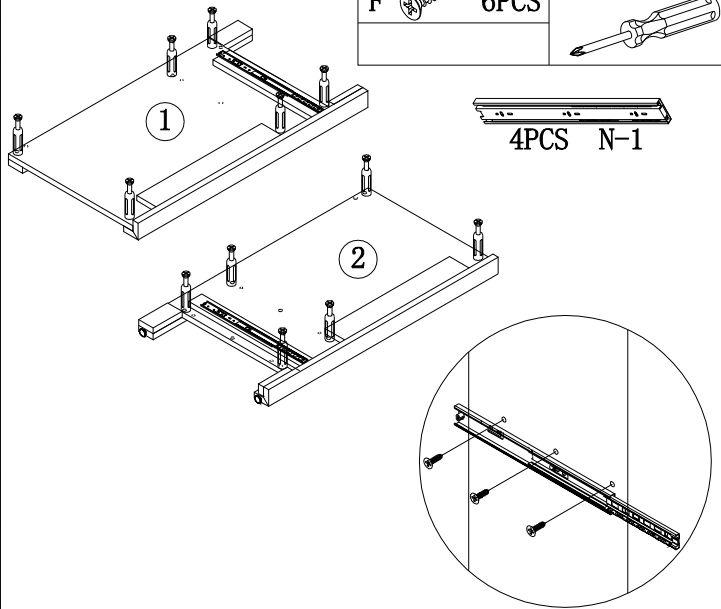
## STEP 4

### HARDWARE LIST

F  6PCS



 4PCS N-1

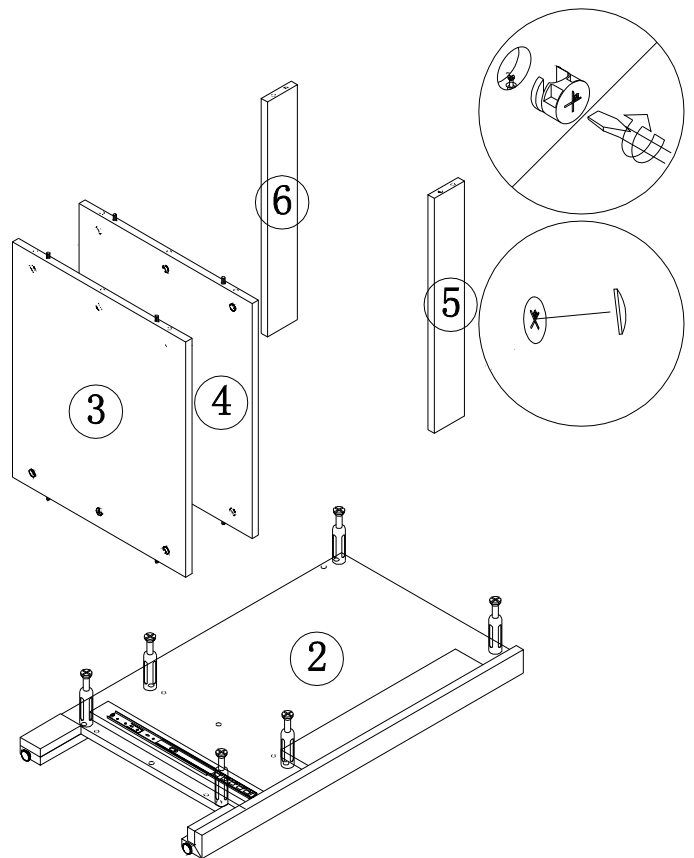
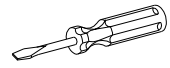


## STEP 5

### HARDWARE LIST



A  6PCS

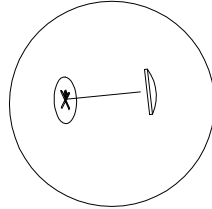
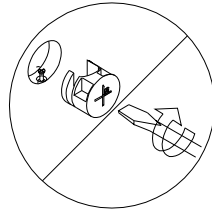
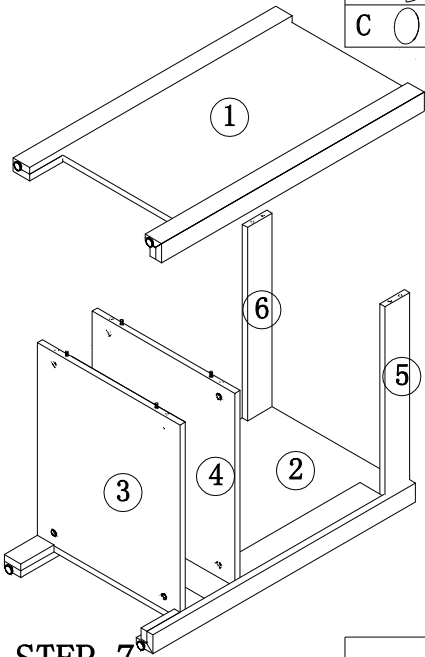
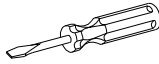
C  6PCS



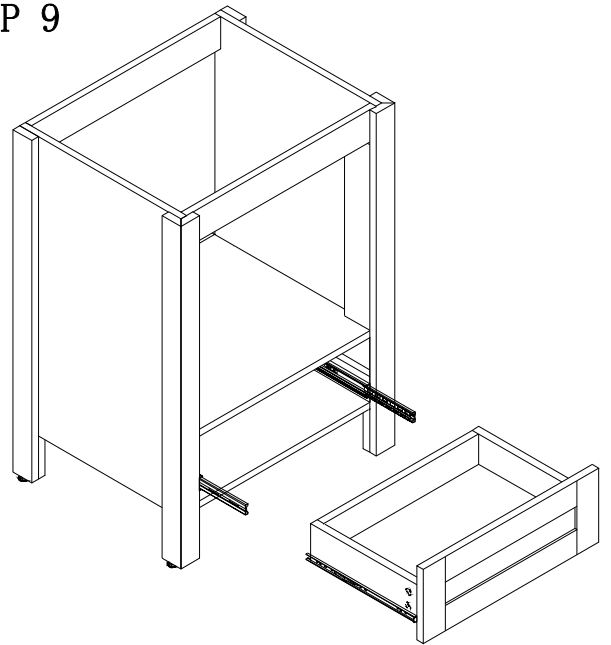
### STEP 6

#### HARDWARE LIST

|   |   |      |
|---|---|------|
| A |  | 6PCS |
| C |  | 6PCS |





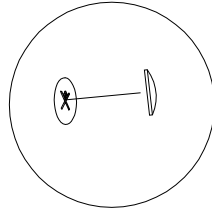
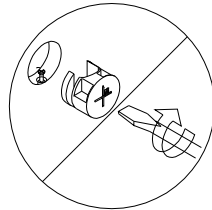
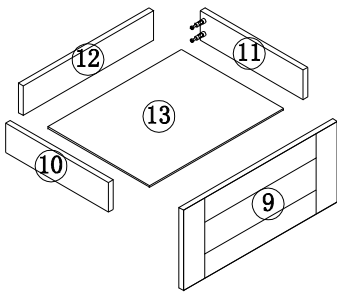
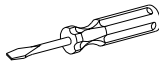
### STEP 9



### STEP 7





#### HARDWARE LIST

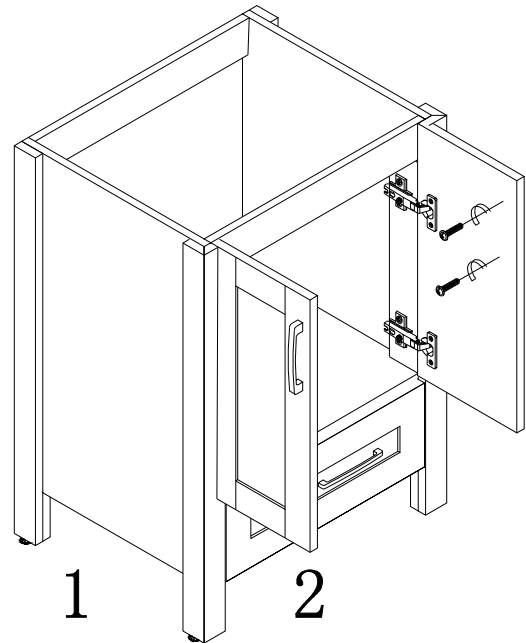
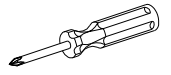
|   |   |      |
|---|---|------|
| A |  | 8PCS |
| C |  | 8PCS |



### STEP 10




#### HARDWARE LIST

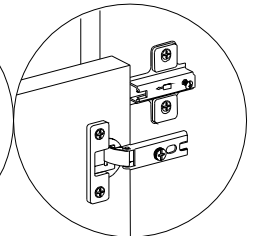
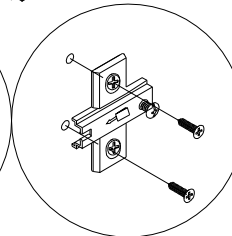
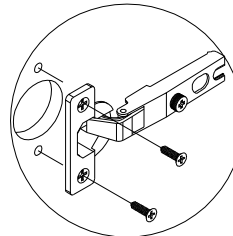
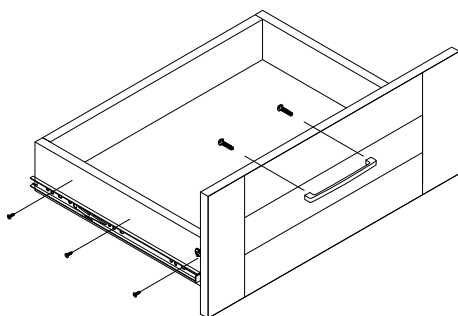
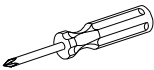
|   |   |       |
|---|---|-------|
| F |  | 24PCS |
| H |  | 2PCS  |
| G |  | 4PCS  |
| E |  | 4PCS  |



### STEP 8

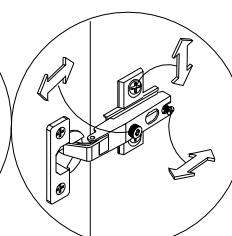
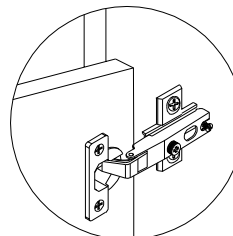
#### HARDWARE LIST

|   |   |      |
|---|---|------|
| F |  | 6PCS |
| G |  | 2PCS |
| H |  | 1PCS |

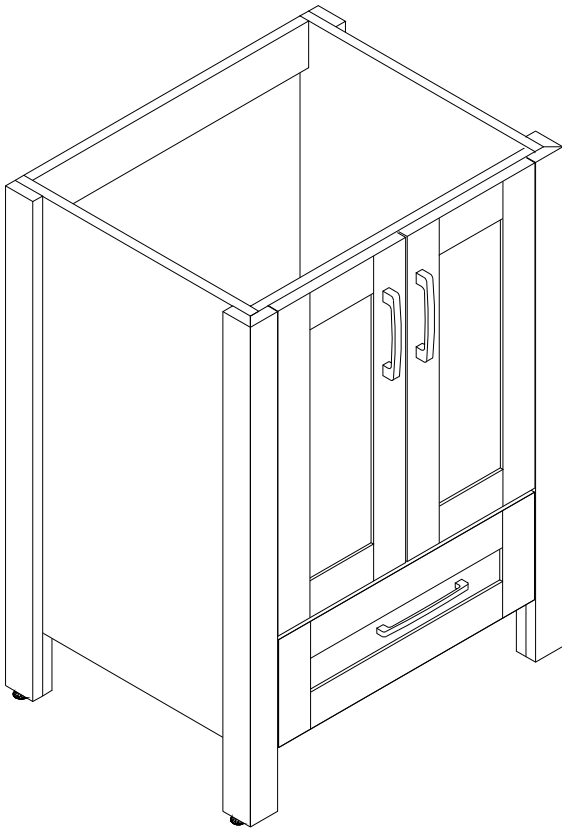


4

5



**STEP 11**



**Choking hazard-Small Parts :** This unit contains small parts, not for children under 3 years.

**Tip-over hazard :** Secure finished unit to wall stud using L-Bracket and wall screw (#10\*1.5"W/out provided). If a wall stud is

not neccessible ,Consault your local hardware store for appropriate mounting hardware . Failure to properly install will result in product collapse or tip-over. Serious injury can occur .