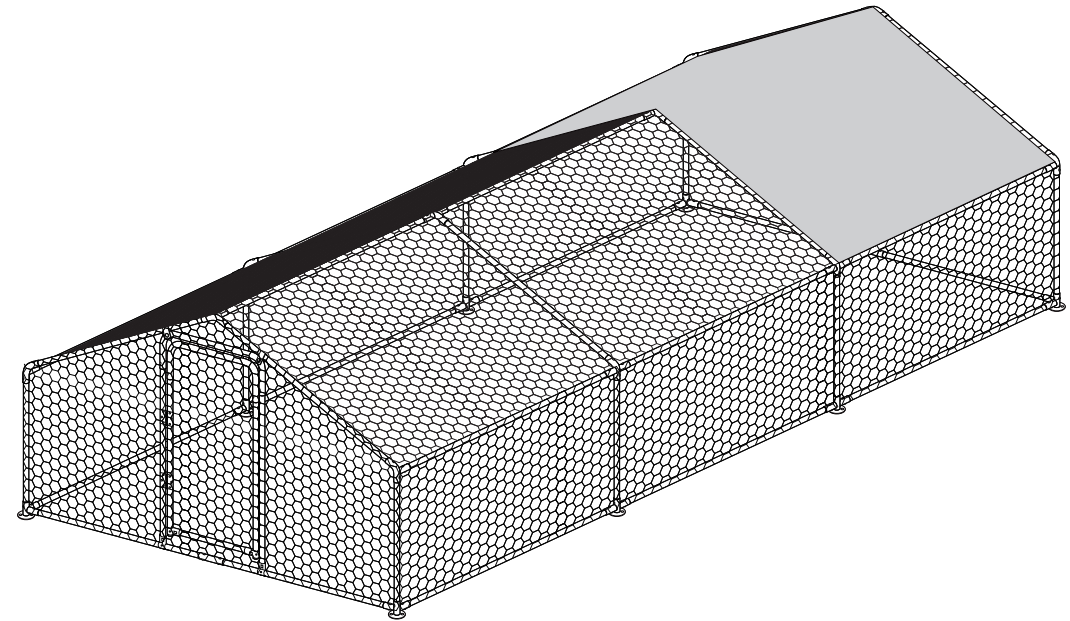
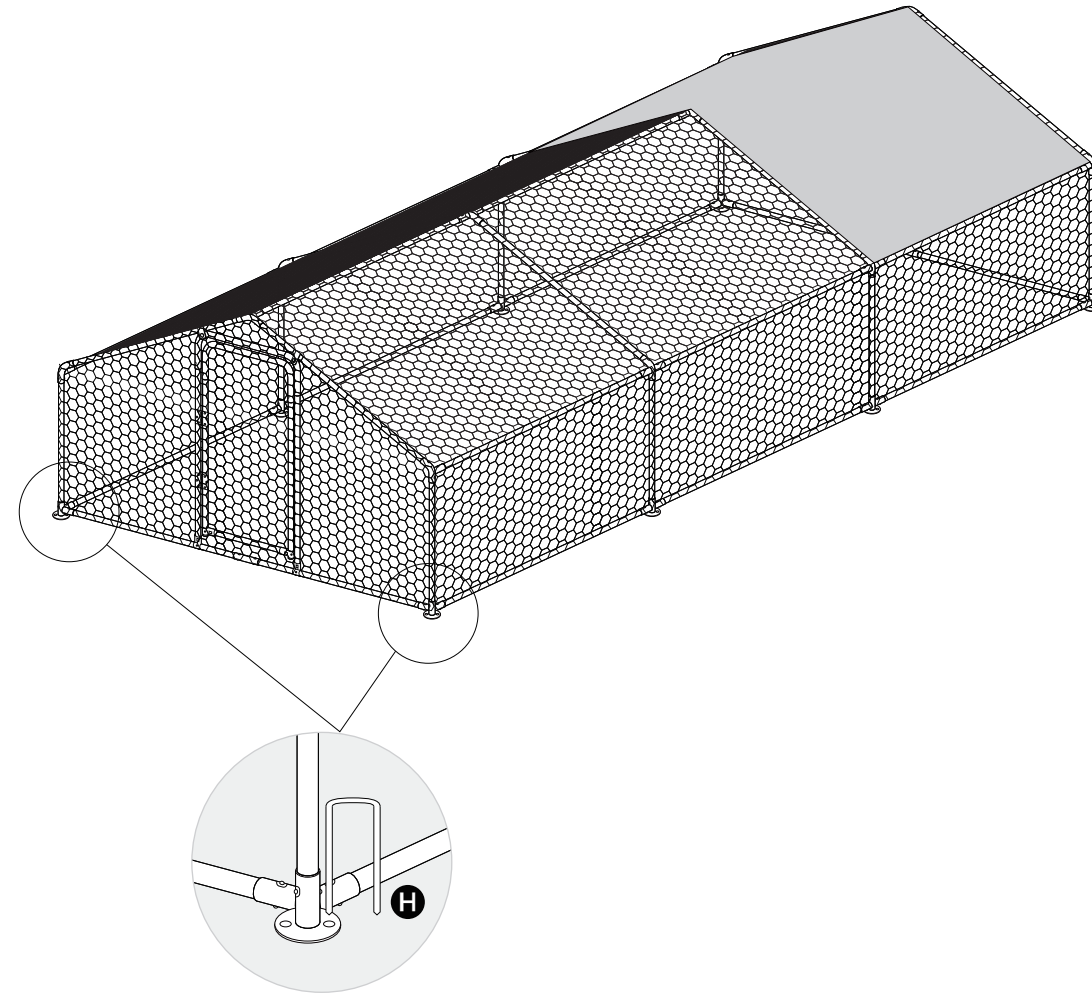


Step 11

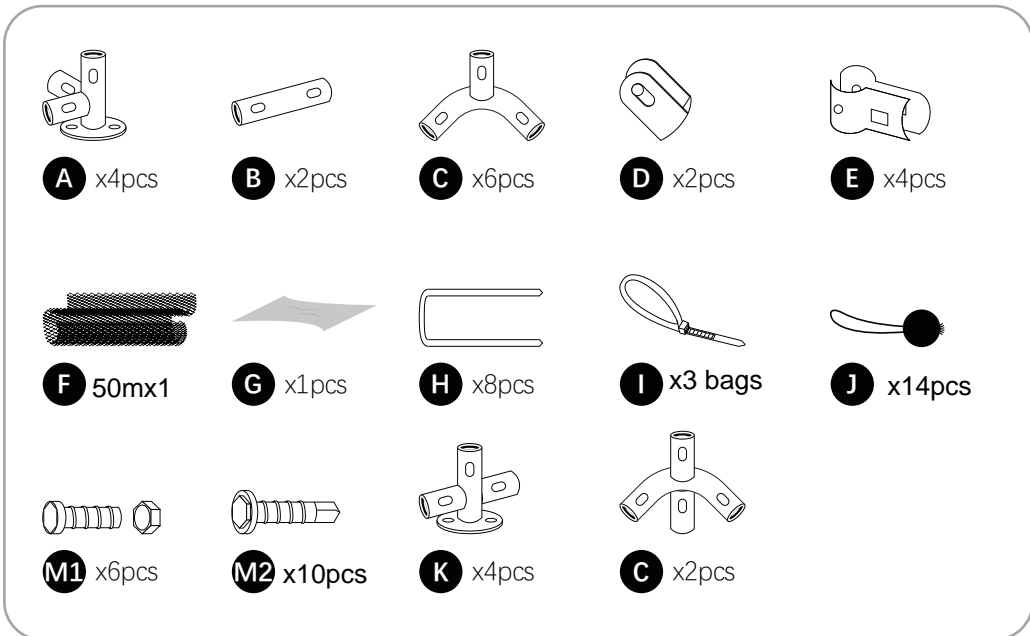
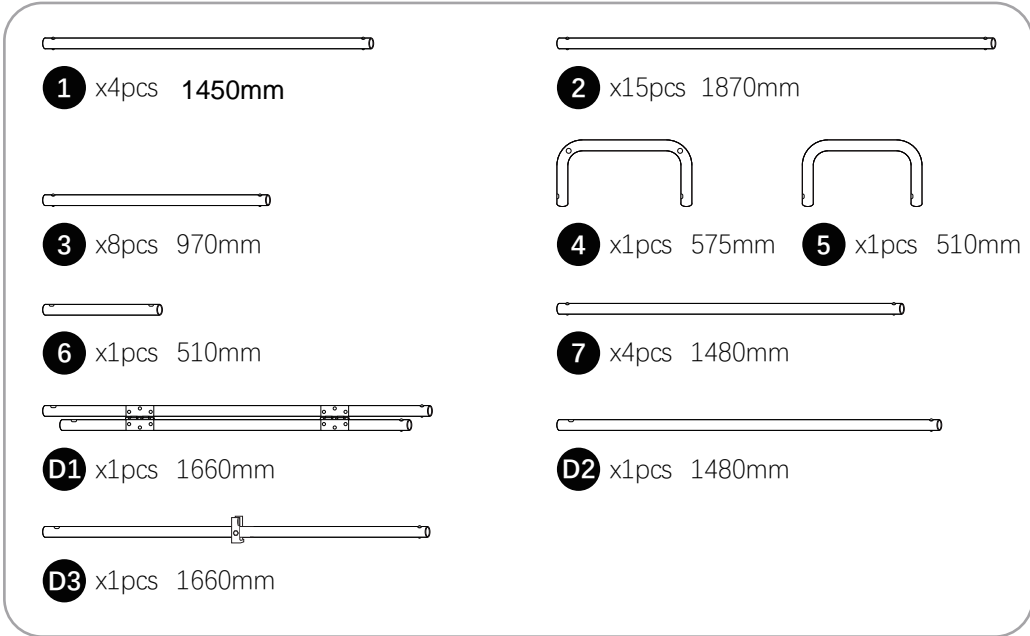
Metal Walk-in Chicken Coop Run

Instruction manual
For specification: 6m(L) x 3m(W) x 2m(H)

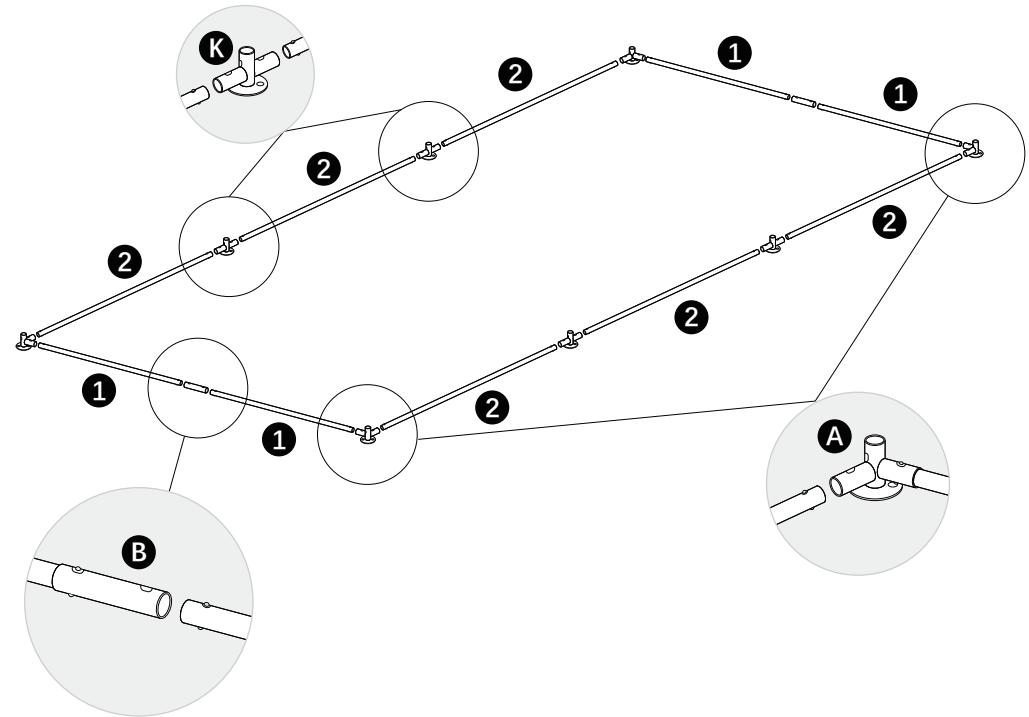


Please read this manual carefully before assembly

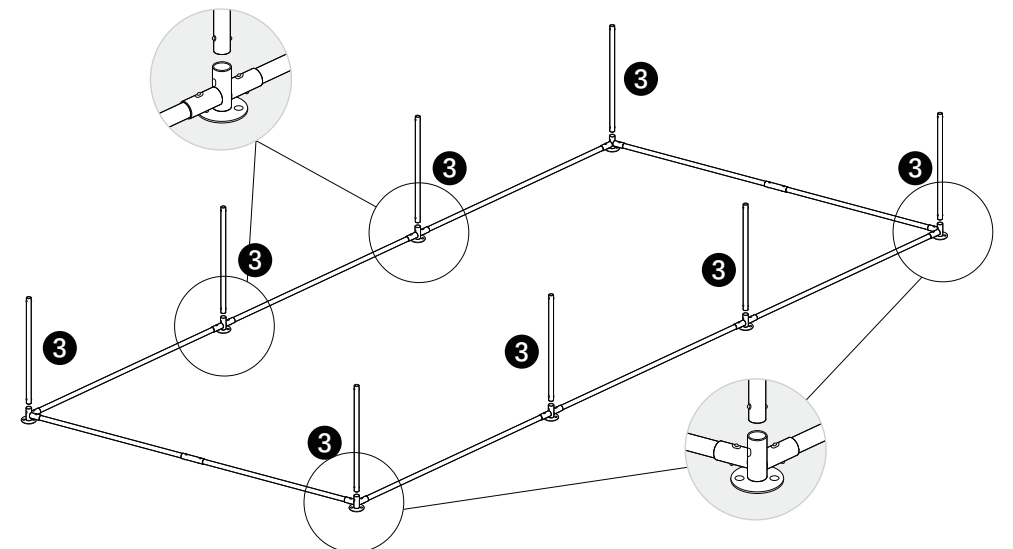
Part List



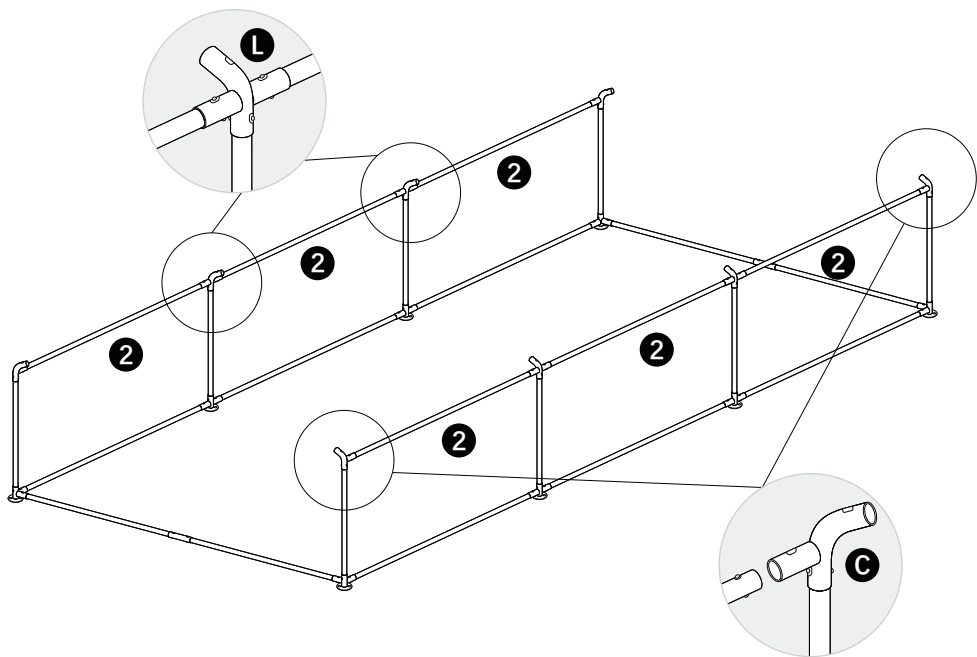
Step 1: building the bottom frame.



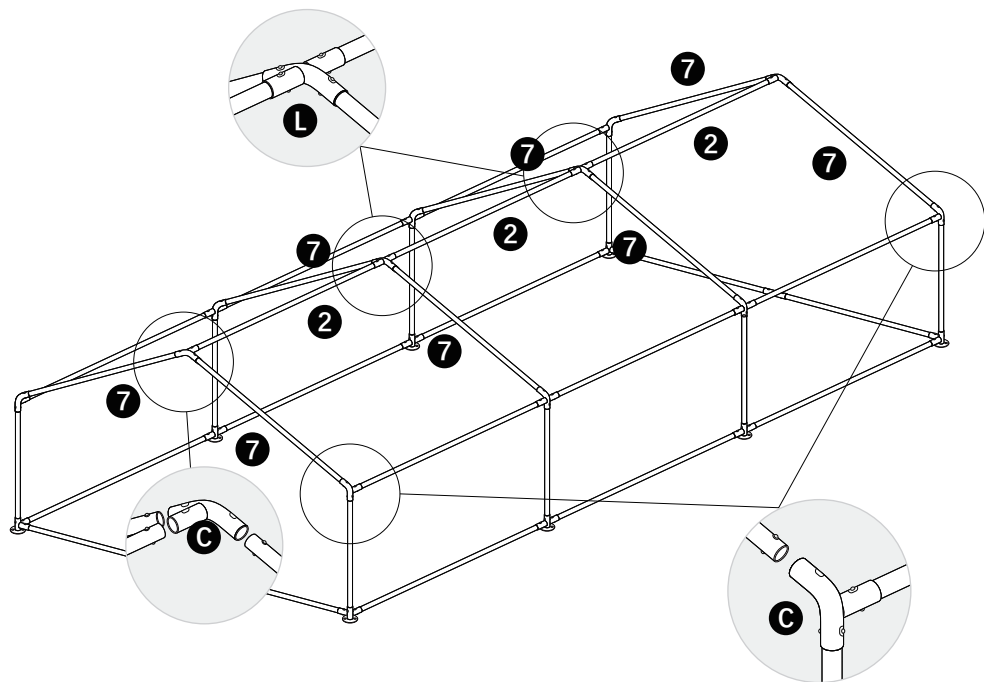
Step 2: connect the tube No.3 with the bottom frame.



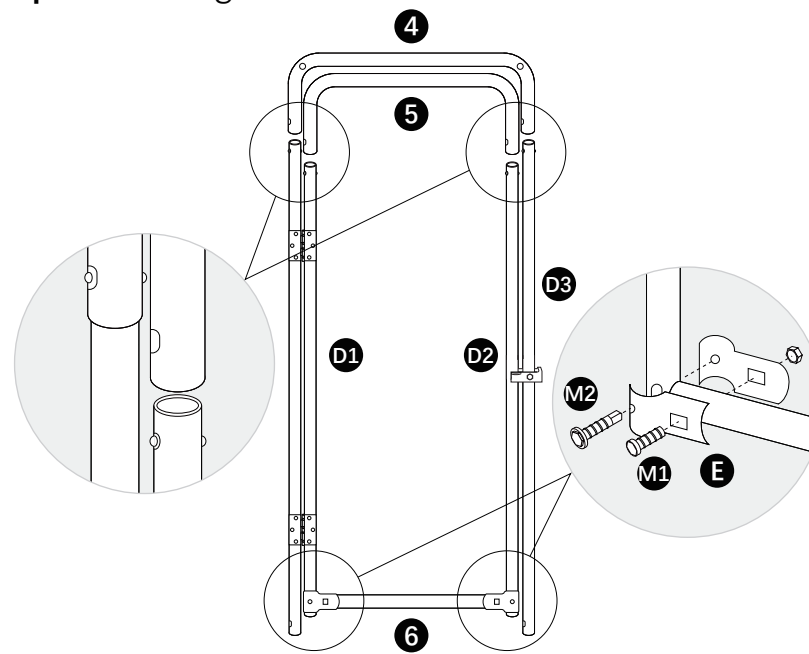
Step 3: building the middle frame.



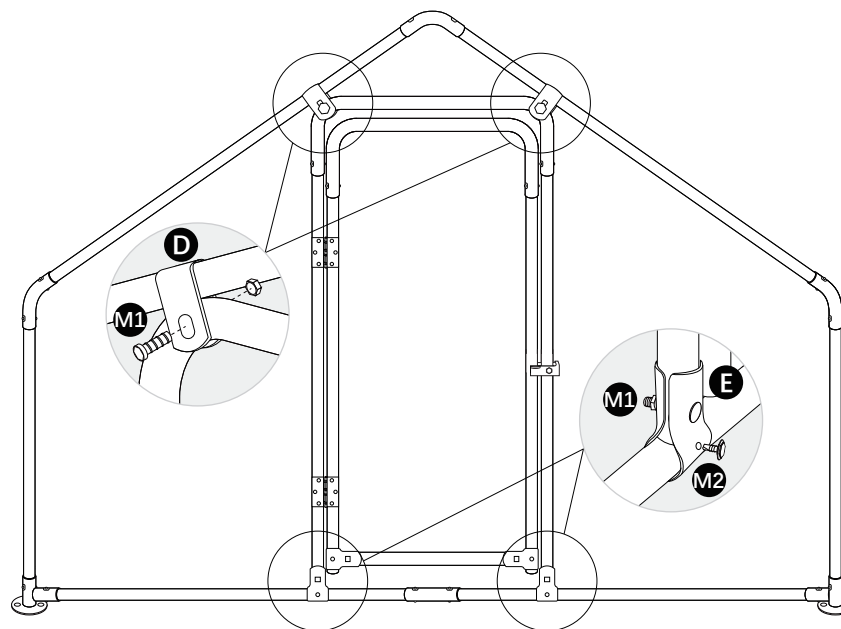
Step 4: building the top frame.



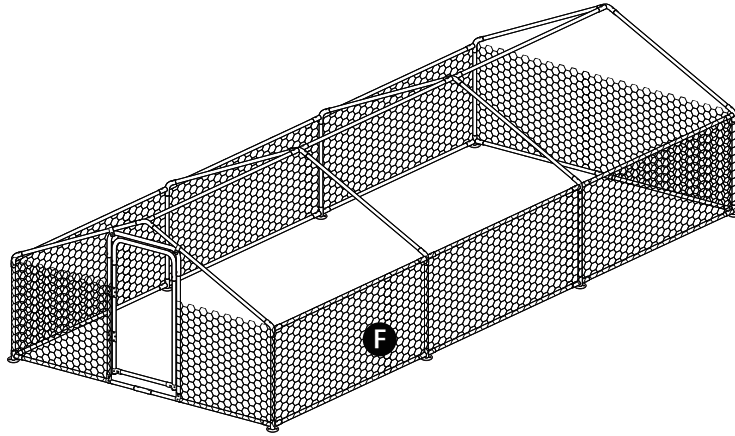
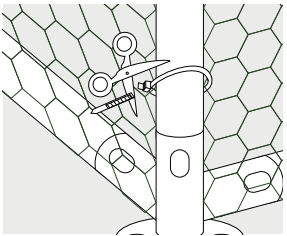
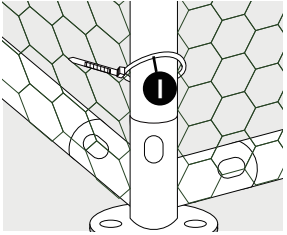
Step 5: building the door.



Step 6: contact the door with the frame.

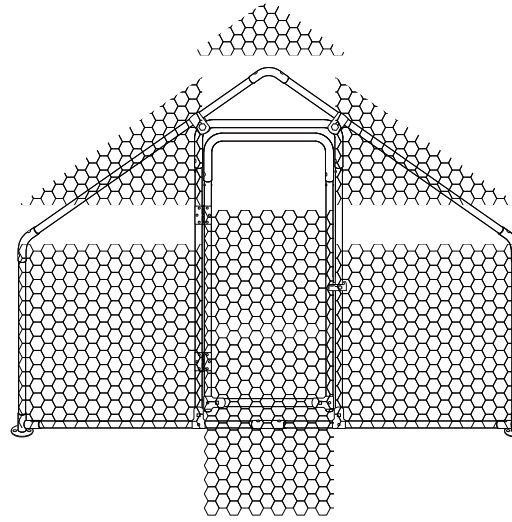


Step 7

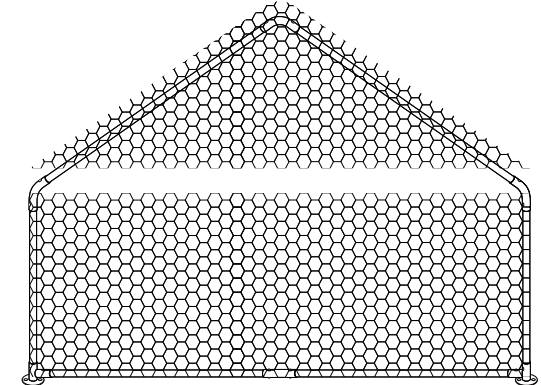


Step 9

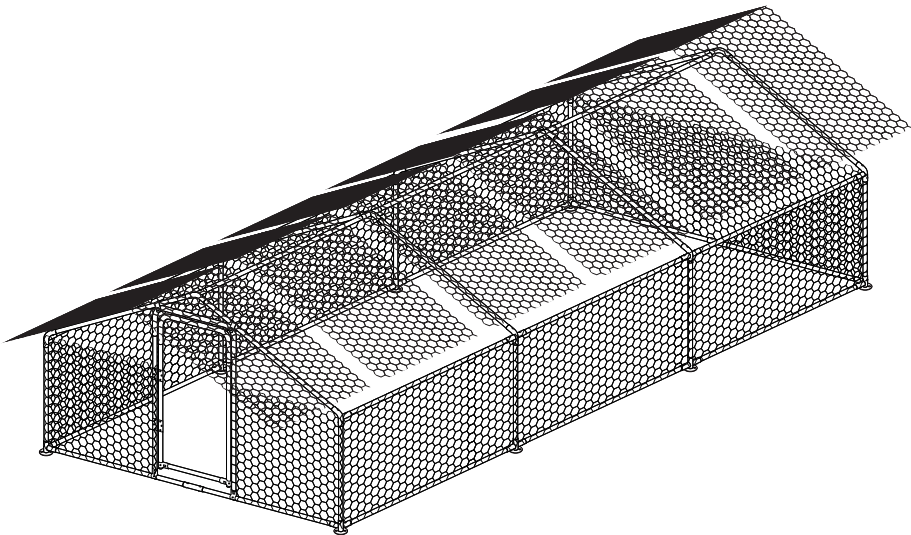
Front



Back



Step 8



Step 10

