

---

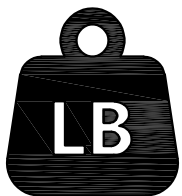
**NOTE:**

This brochure contains IMPORTANT safety info. Please read and keep for future reference.

---

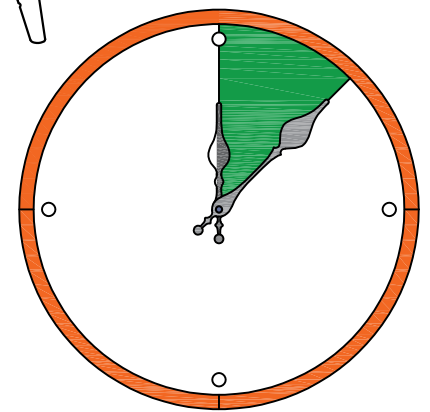
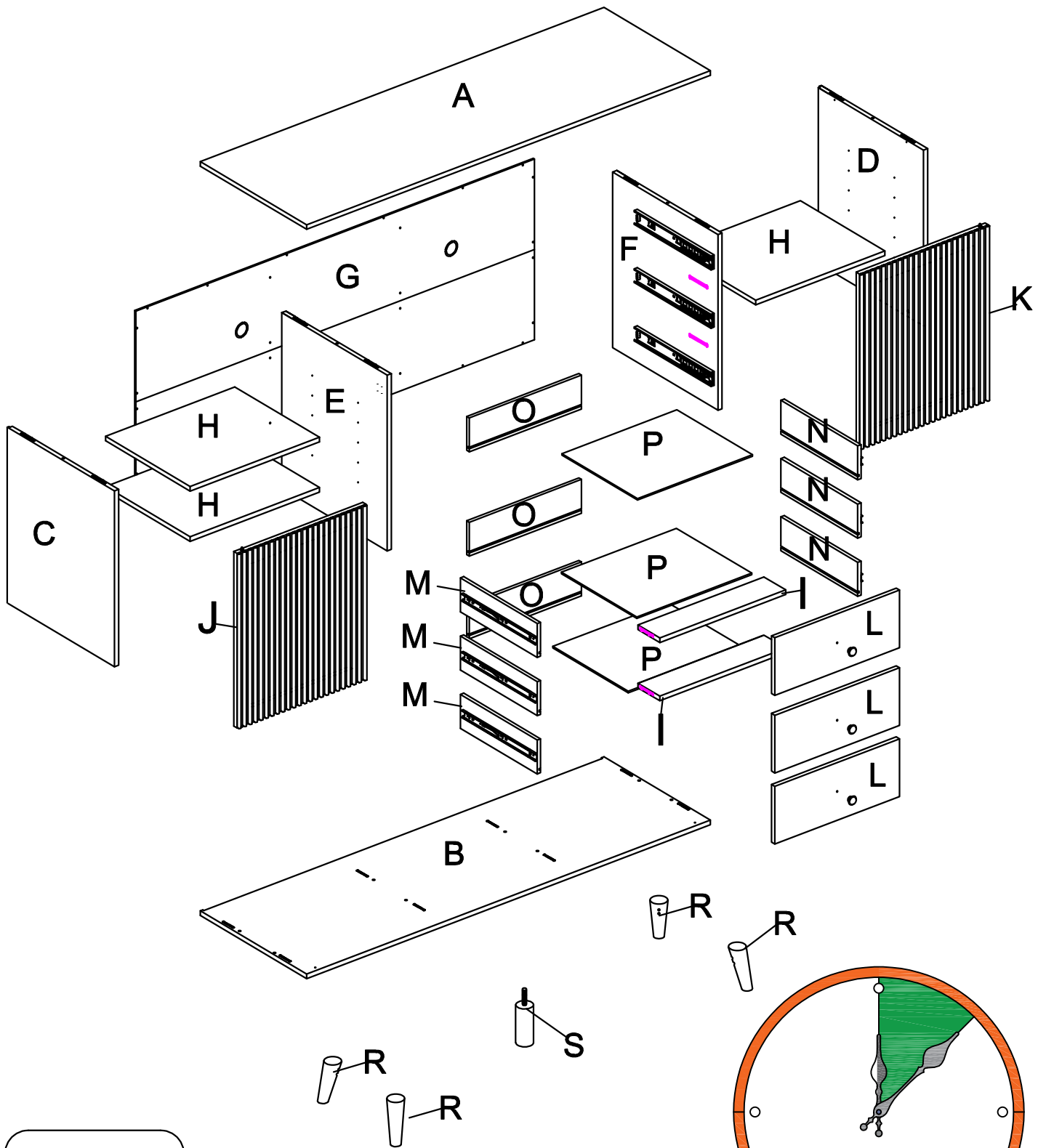
# MAINTAINANCE AND WARNING

- 1.Keep furniture away from heat sources.
- 2.Do not clean furniture with harsh cleaner or polishes.Do not use detergents,solvents,abrasives,spray packs or leather cleaner. Use non-color mild soap with warm water to clean spills(Mix 1:10 soap to water).
- 3.Do not place furniture under direct sunlight,material will possibly fade over time.
- 4.Do not use on site dry cleaning machine.Children should not climb or jump on the furniture.
- 5.Do not write on furniture that is not protectedby a padded barrier.
- 6.Not for commercial use,only for residential use.



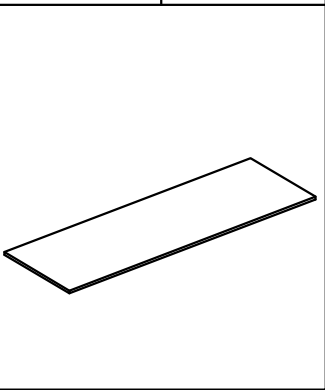
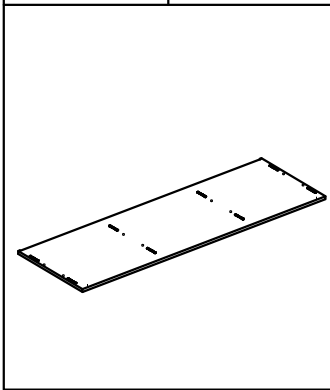
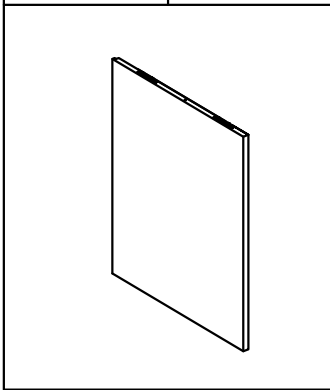
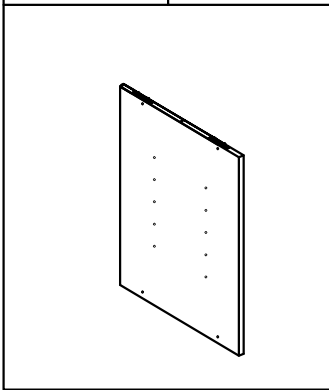
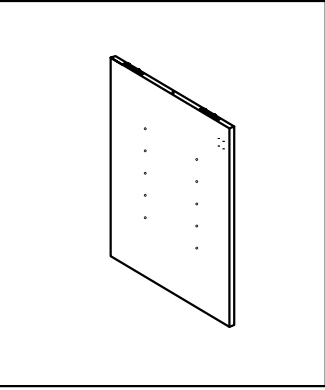
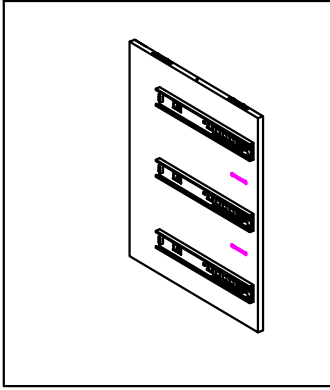
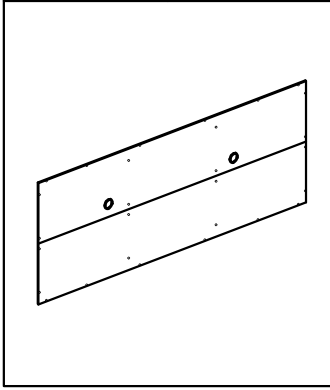
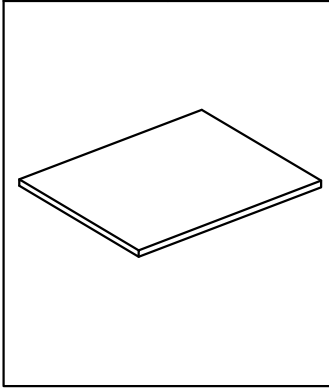
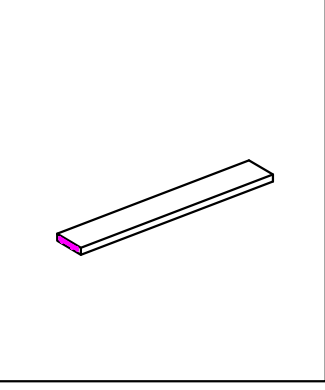
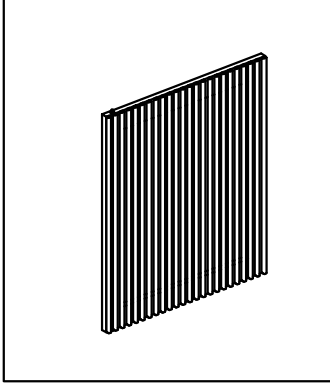
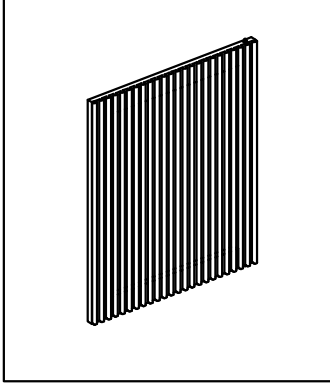
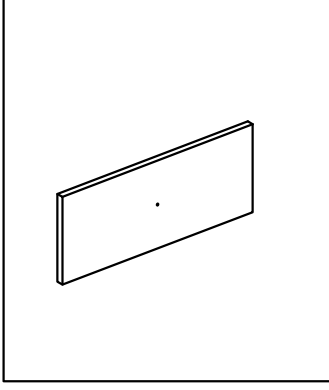
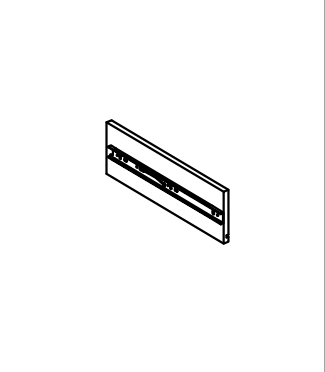
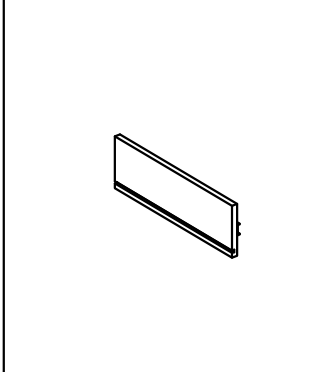
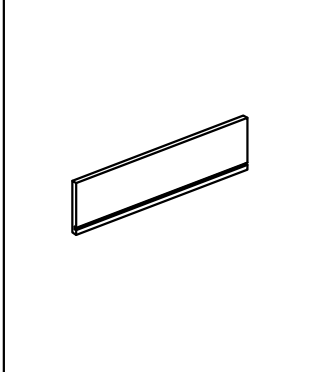
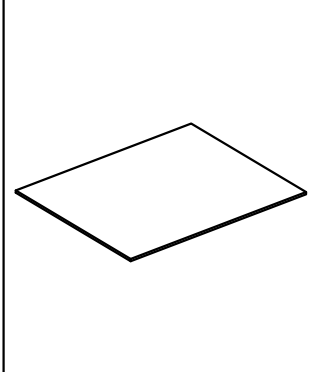
Weight Limitation

**150 LBS**




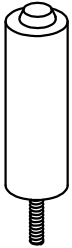
Around 75 min

# PARTS LIST


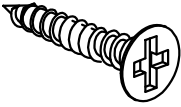

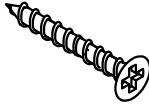

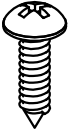
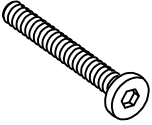



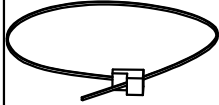

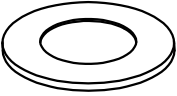

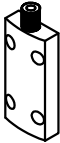
A	x1	B	x1	C	x1	D	x1
							
E	x1	F	x1	G	x1	H	x3
							
I	x2	J	x1	K	x1	L	x3
							
M	x3	N	x3	O	x3	P	x3
							

# PARTS LIST

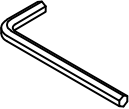

R	x4
	

S	x1
	

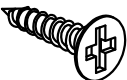



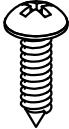
# HARDWARE LIST

#1	x24	#2	x8	#3	x3	#4	x4	#5	x4	#6	x28
											
Ø4*25mm		Ø3.5*20mm		Ø4*22mm		Ø4*39mm		Ø4*20mm		Ø3.5*16mm	
#7	x8	#8	x12	#10	x3	#11	x4	#12	x2	#13	x4
											
Ø6*45mm		Ø1/4									
#14	x8	#15	x8	#18	x2						
											
Ø1/4"*13mm		Ø1/4"									

# TOOL LIST

#16	x1	#17	x1
			
M6		M5	

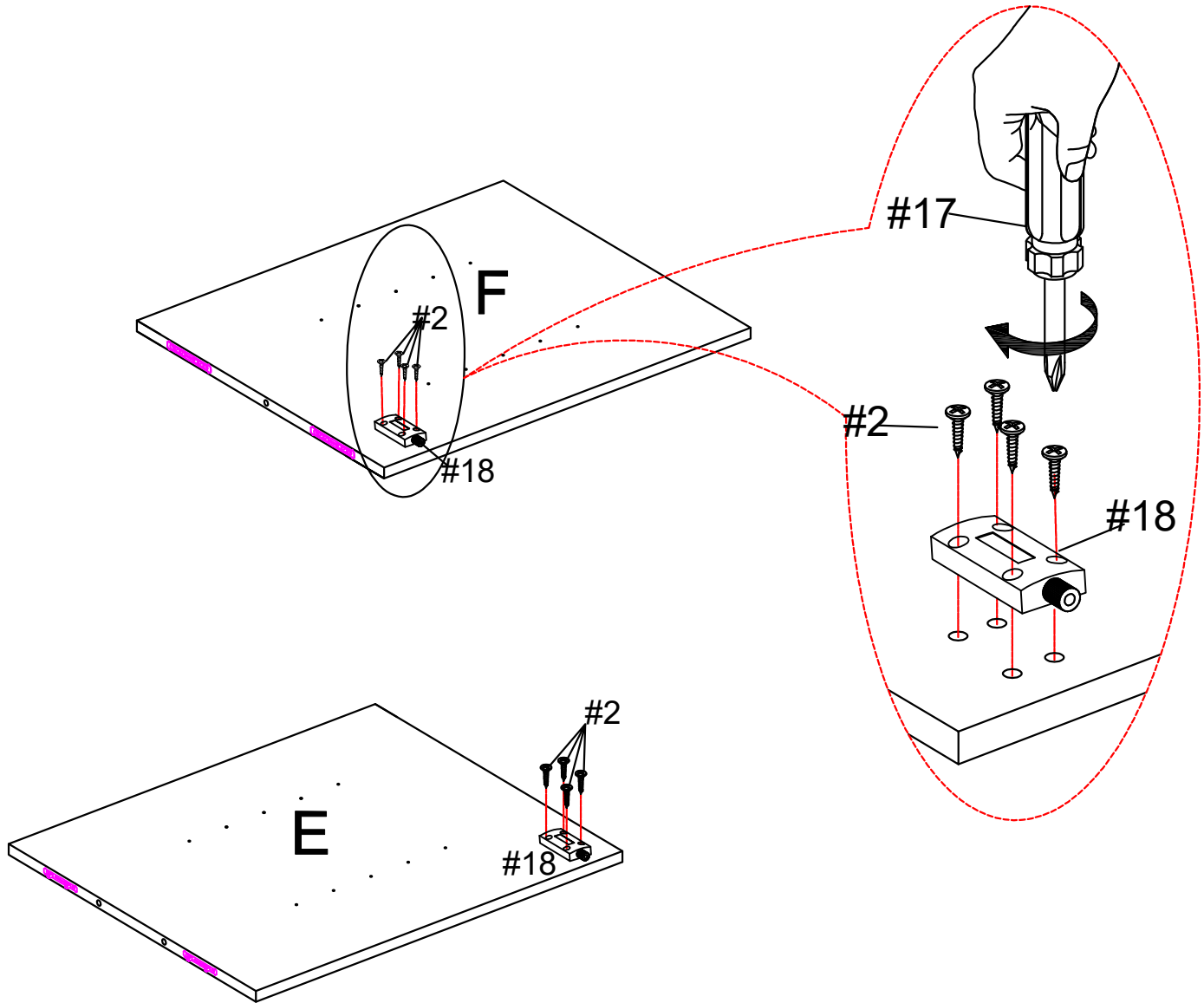
# HARDWARE SPARE LIST

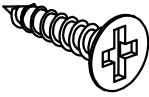
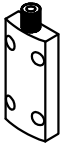
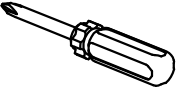
#1	x2	#8	x1	#14	x1	#15	x1	#6	x2
									
Ø4*25mm		Ø1/4		Ø1/4"*13mm		Ø1/4"		Ø3.5*16mm	

# ASSEMBLY INSTRUCTIONS

## STEP-1

1. picture shows. Use bolt #2 to attach rebound device #9 to panel (F/E), tighten bolts with screwdriver #17.

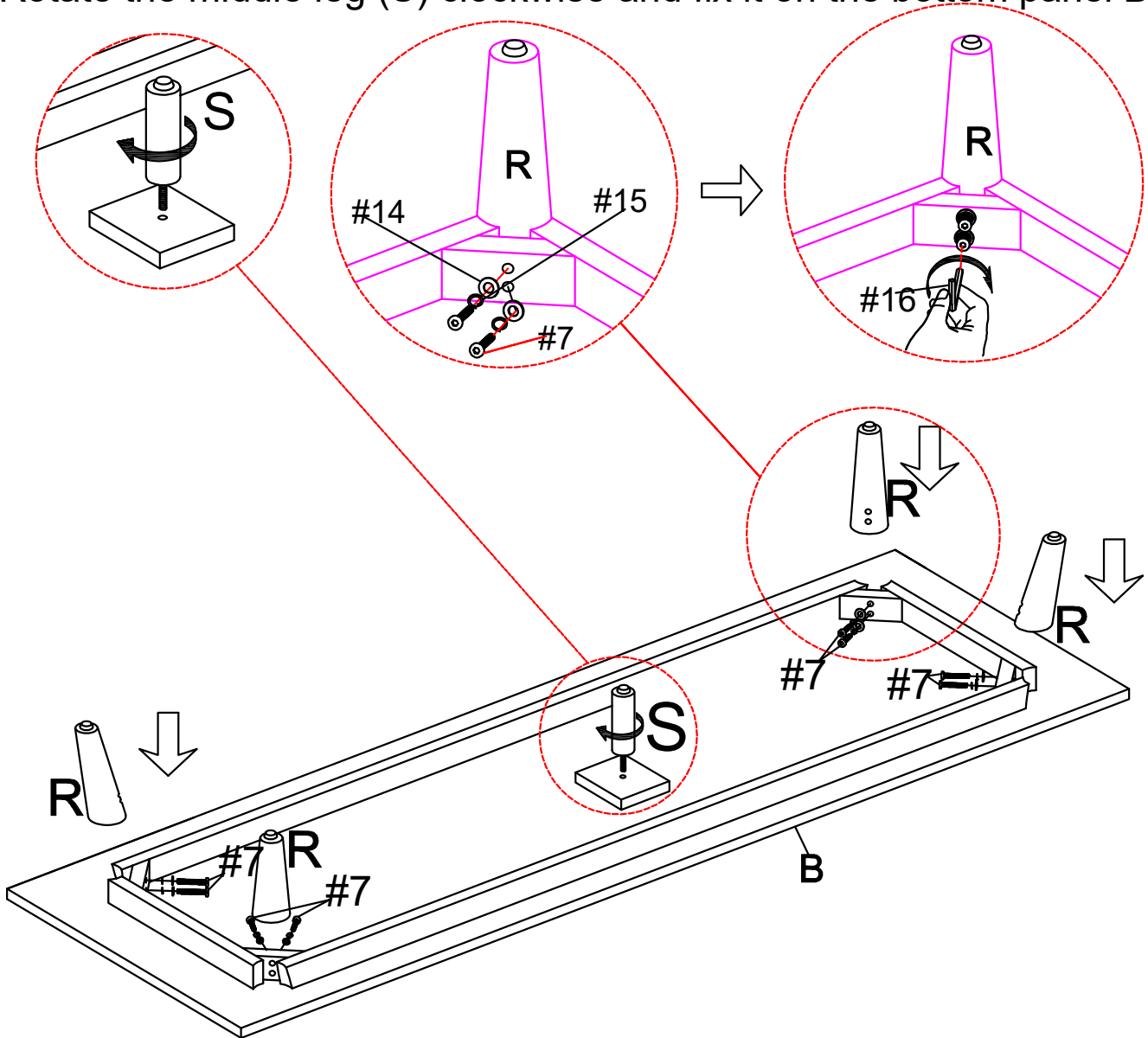





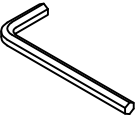
#2	x8	#18	x2	#17	x1
					
Ø3.5*20mm				M5	

# ASSEMBLY INSTRUCTIONS

## STEP-2

1. Insert gasket #15 and #14 in sequence into screw #7, install leg (R) on of bottom panel (B), ensure the corresponding holes are aligned and fix with screw #7, then tighten the screw with an Allen key #16.
2. Rotate the middle leg (S) clockwise and fix it on the bottom panel B.

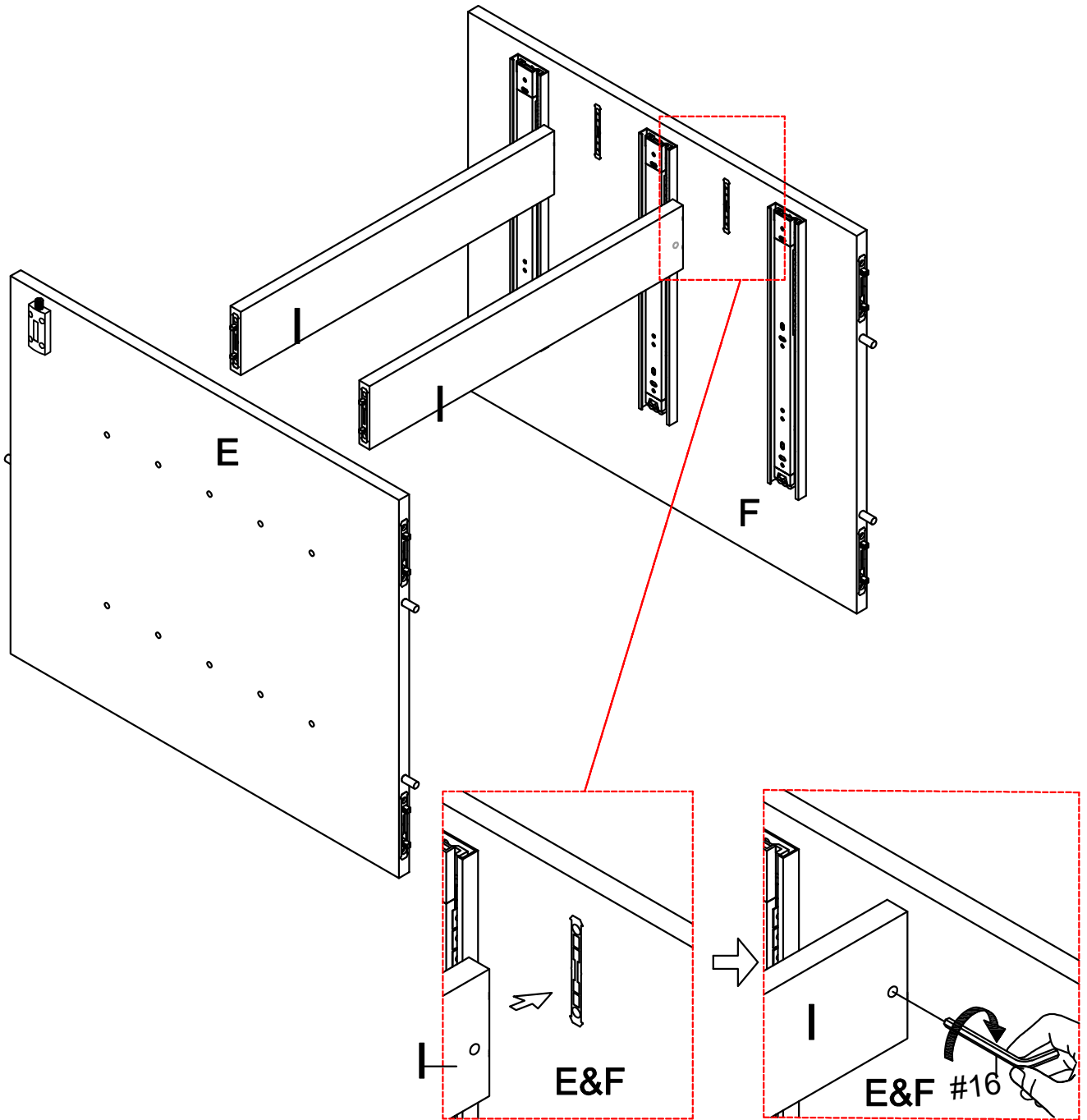


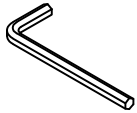
#15	x8	#14	x8	#7	x8	#16	x1
							
$\text{Ø}\frac{1}{4}$ "		$\text{Ø}\frac{1}{4}$ "*13mm		$\text{Ø}6*45\text{mm}$		M6	

# ASSEMBLY INSTRUCTIONS

## STEP-3

Insert panel (I) into panel (E&F), make sure all holes aligned and then tighten it with allen key #16 as picture show.

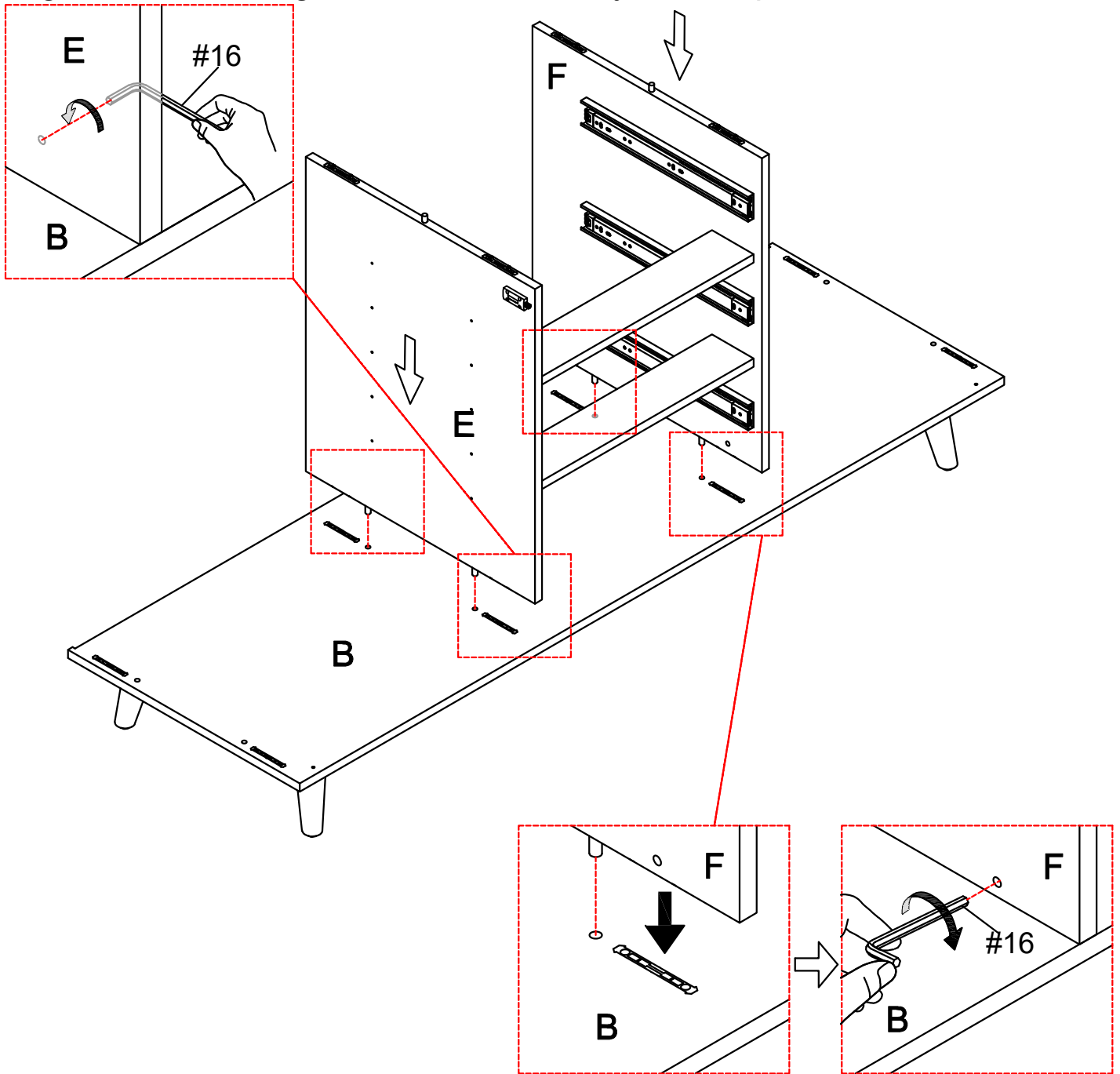


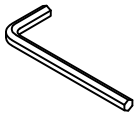
#16	x1
	
M6	

# ASSEMBLY INSTRUCTIONS

## STEP-4

1. Insert side panel (E&F) into bottom panel (B), make sure all holes aligned and then tighten it with allen key #16 as picture show.

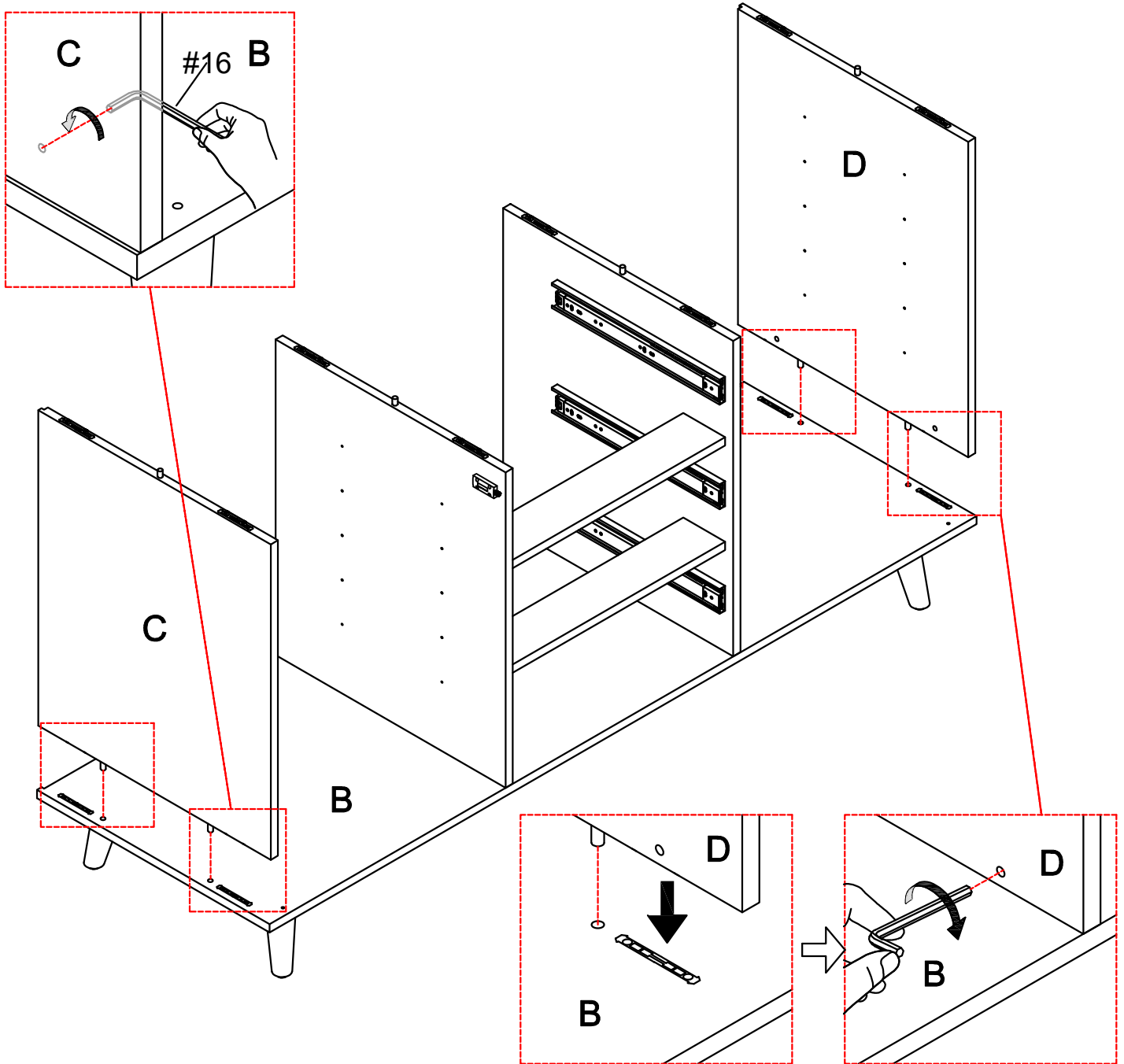


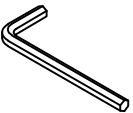
#16	x1
	
M6	

# ASSEMBLY INSTRUCTIONS

## STEP-5

1. Insert side panel (C&D) into bottom panel (B), make sure all holes aligned and then tighten it with allen key #16 as picture show.

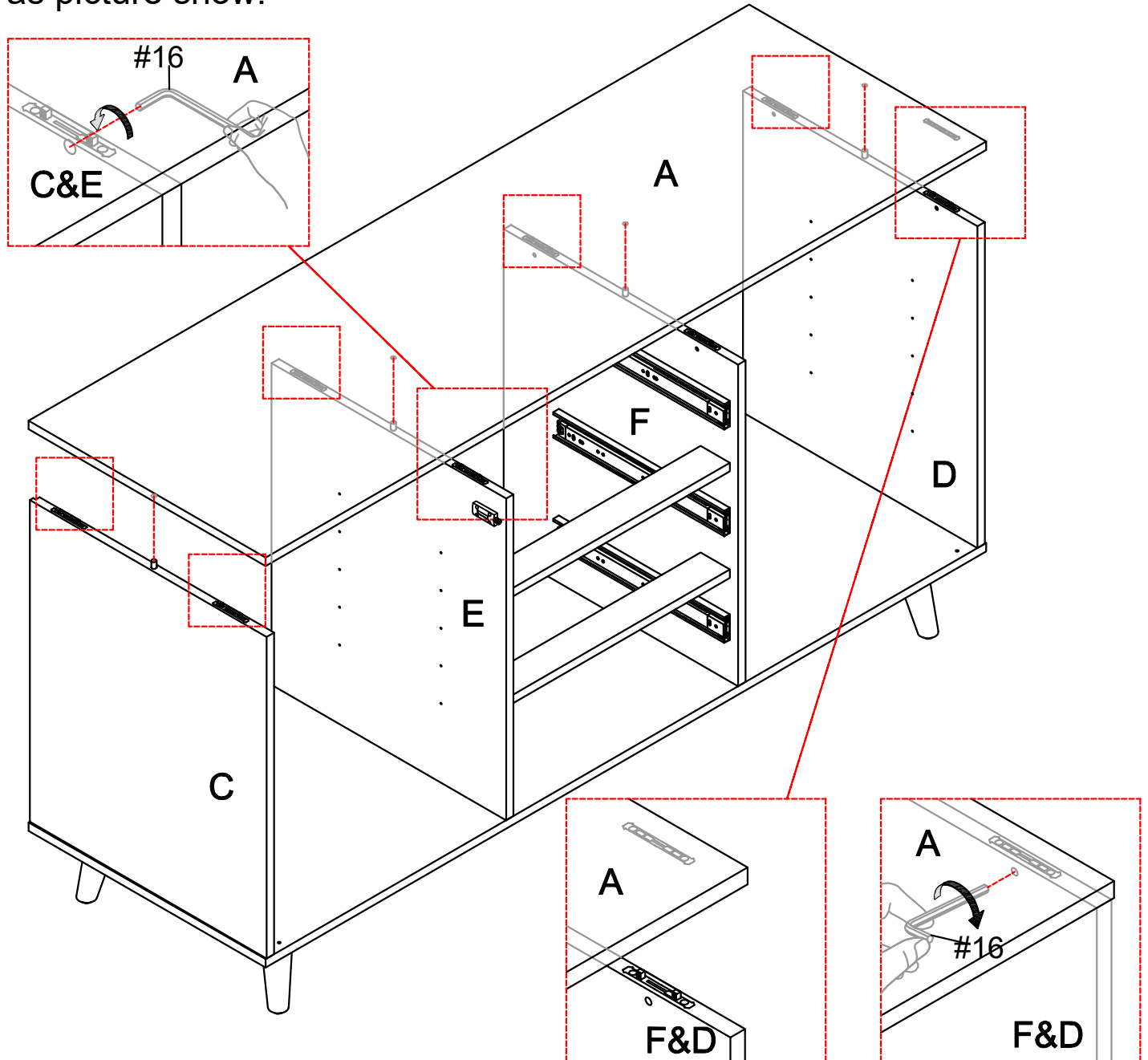


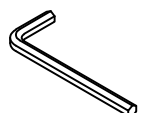
#16	x1
	
M6	

# ASSEMBLY INSTRUCTIONS

## STEP-6

1. Insert top panel (A) into the corresponding hole of preassembled step 5, make sure all holes aligned and use allen key #16 to tighten it as picture show.

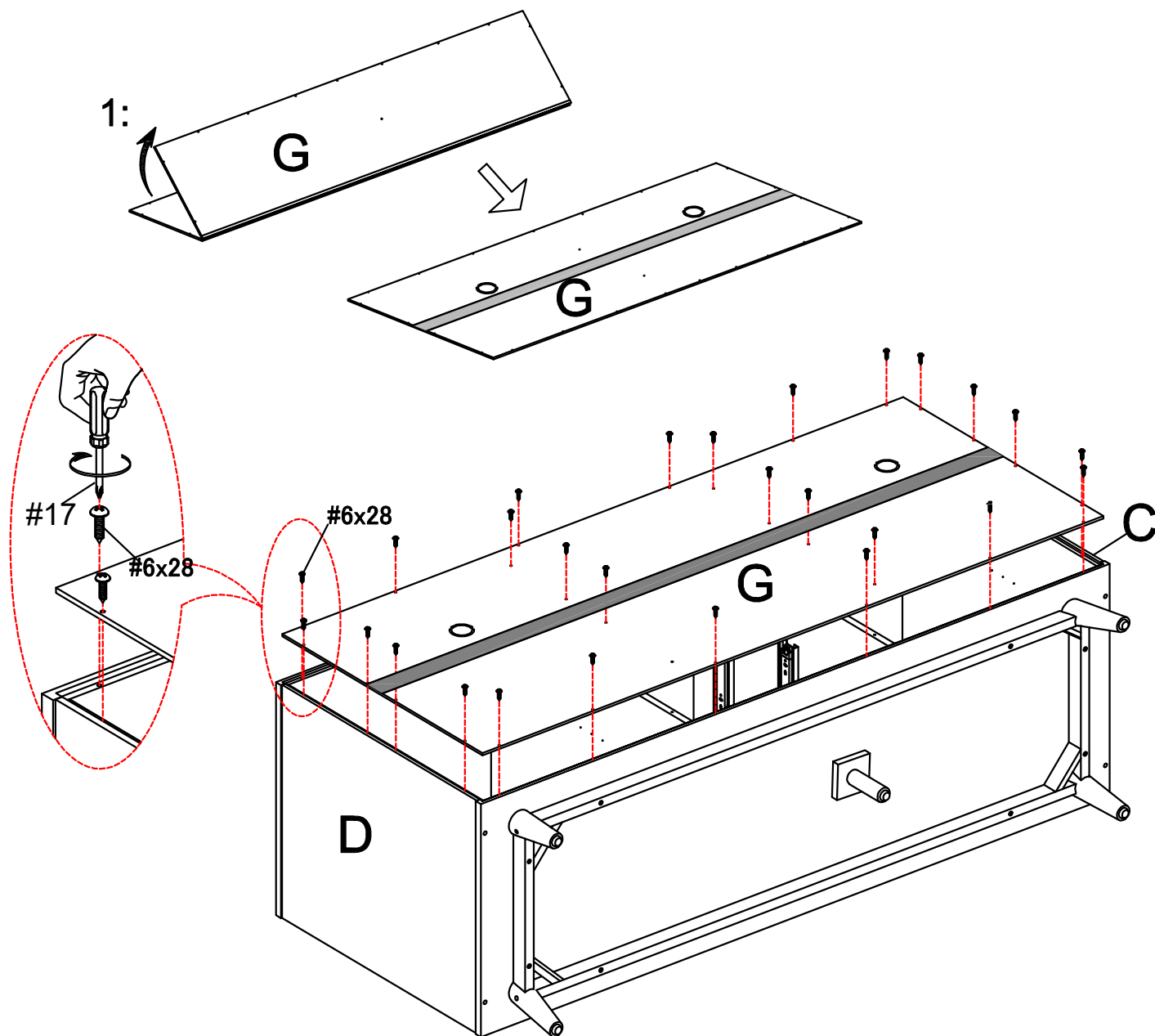



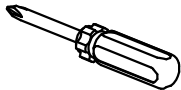
#16	x1
	
M6	

# ASSEMBLY INSTRUCTIONS

## STEP-7

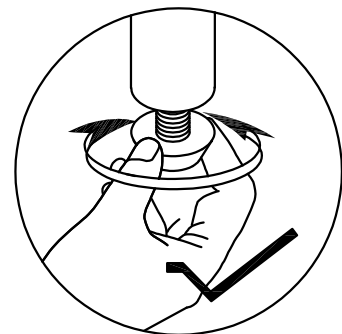
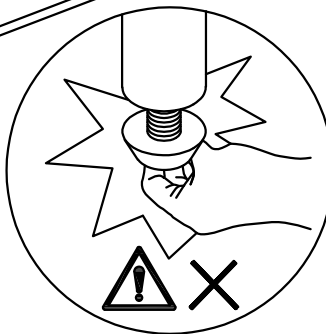
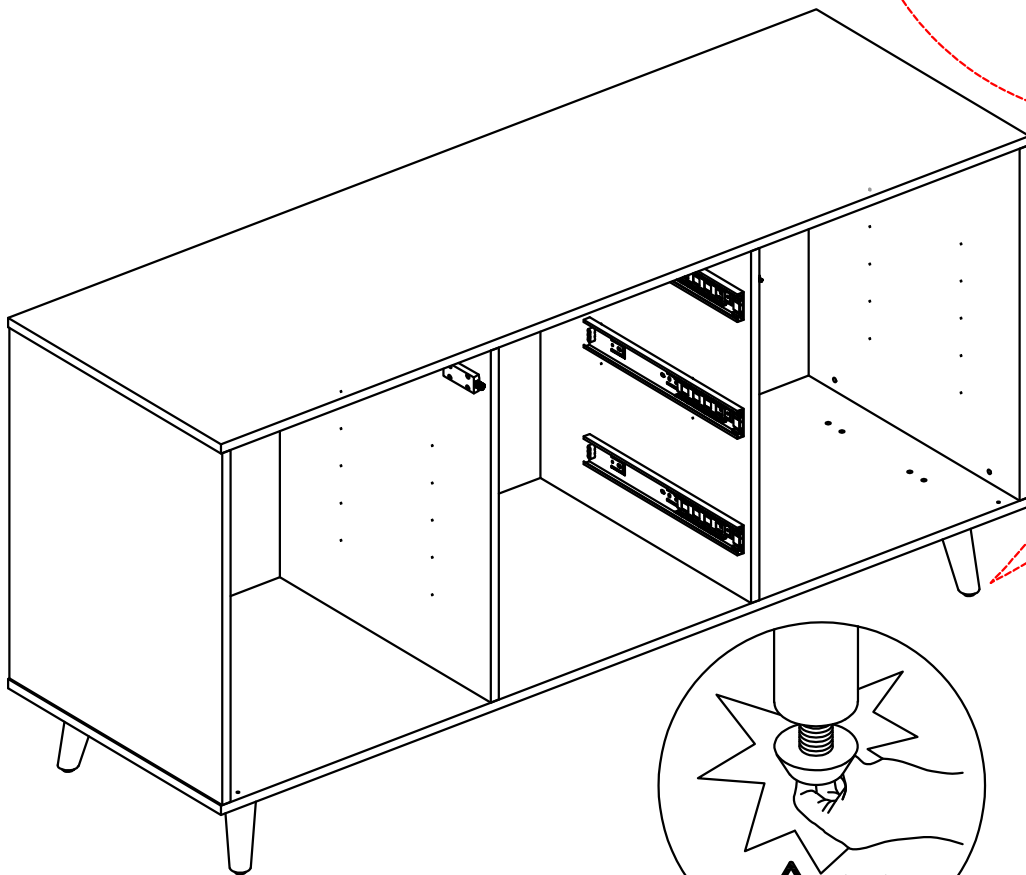
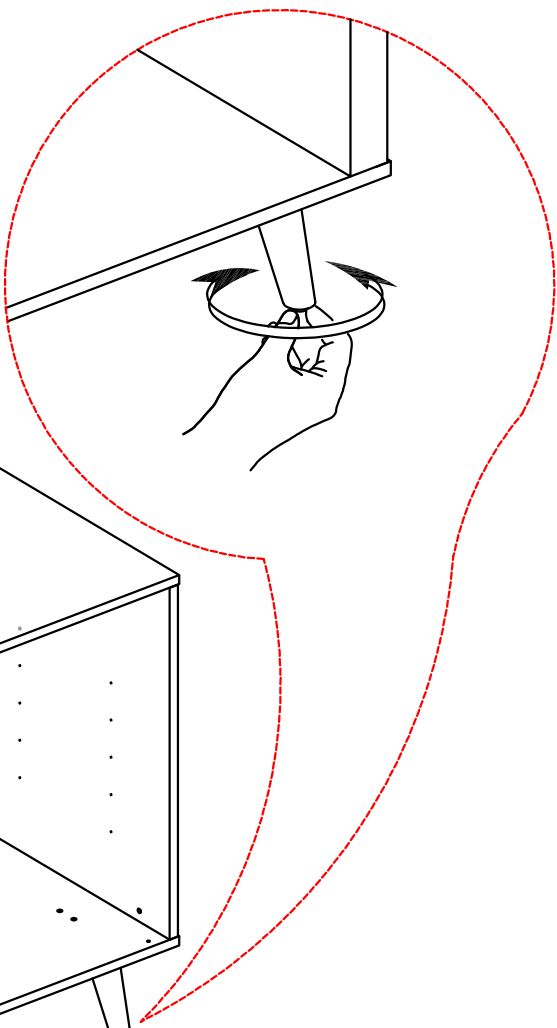
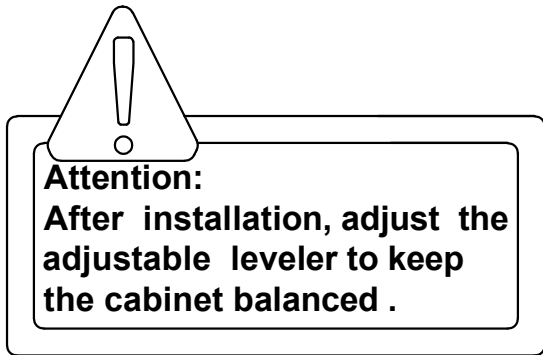
1. Open the back panel (G), insert back panel (G) into the groove of preassembled step 6, make sure all holes aligned and use screw #6 to attach them, tighten screw #6 with screwdriver #17.



#6	x28	#17	x1
			
Ø3.5*16mm			

# ASSEMBLY INSTRUCTIONS

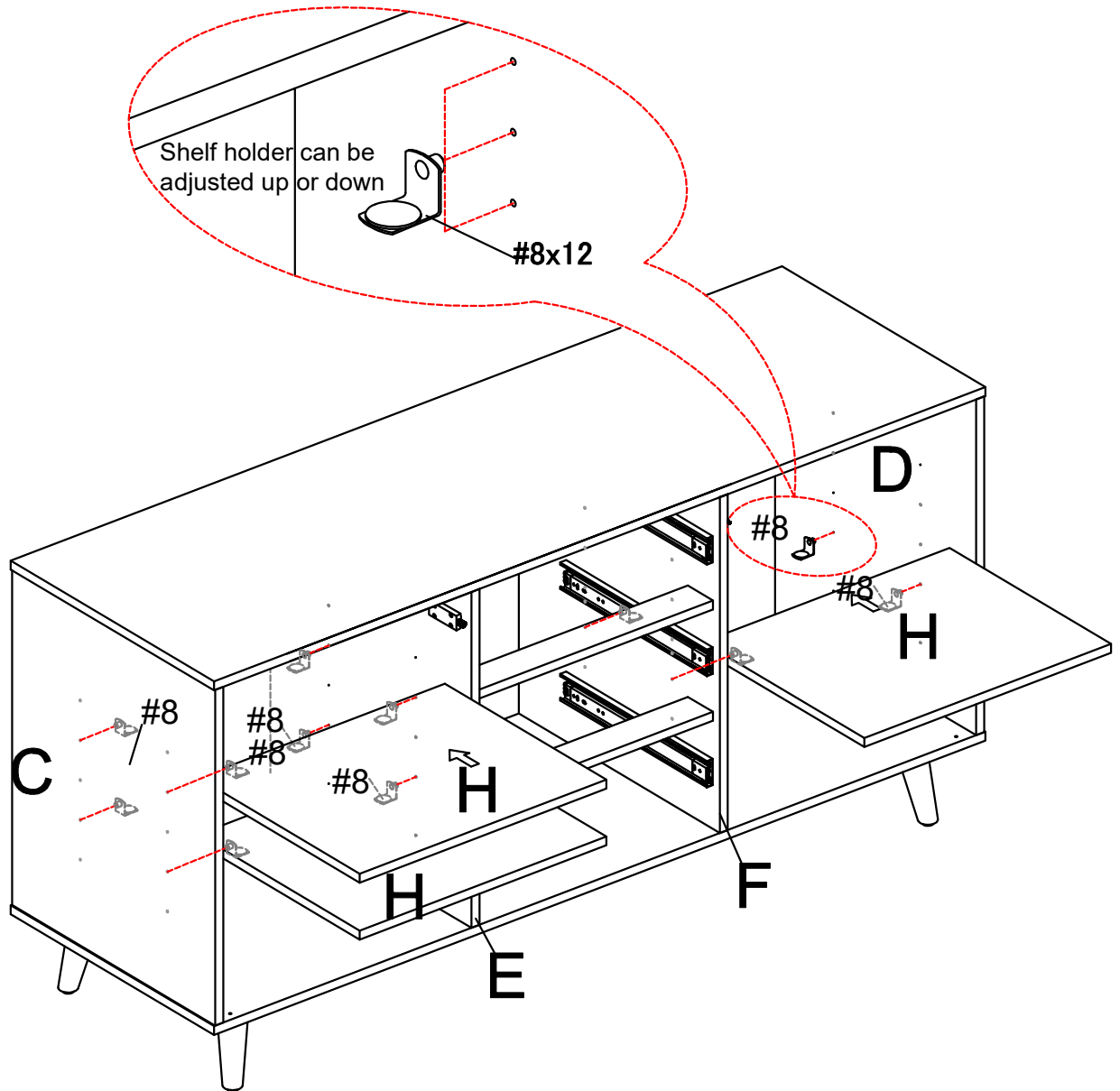
## STEP-8




# ASSEMBLY INSTRUCTIONS

## STEP-9

1. Insert shelf holder #8 into the corresponding hole of panel (C/D/E/F) and then attach panel (H) to it.

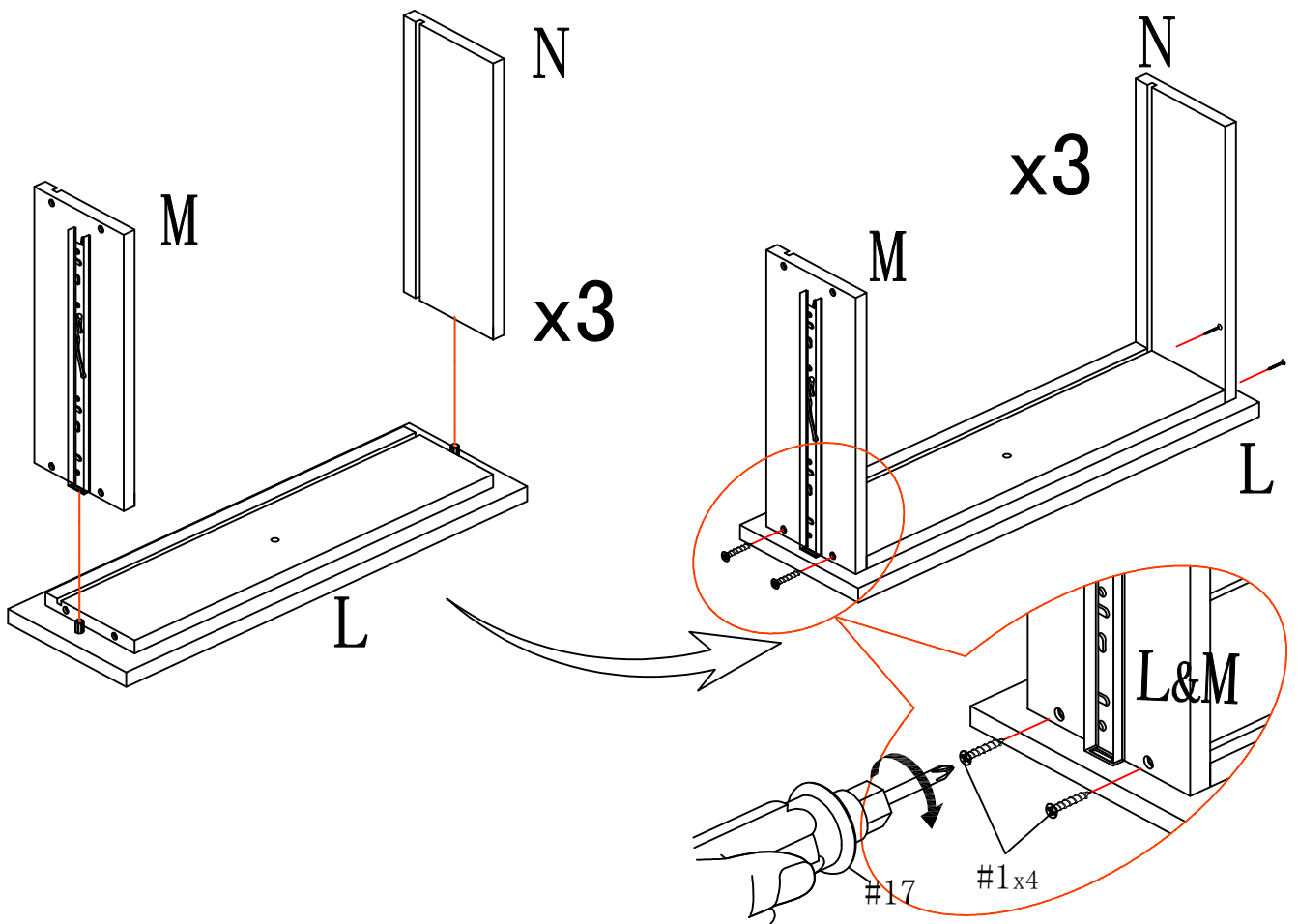



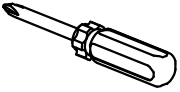
#8	x12
	
Ø1/4	

# ASSEMBLY INSTRUCTIONS

## STEP-10

1. Connect part (M/N) to part (L) using screw #1 and tighten it with screwdriver #17.



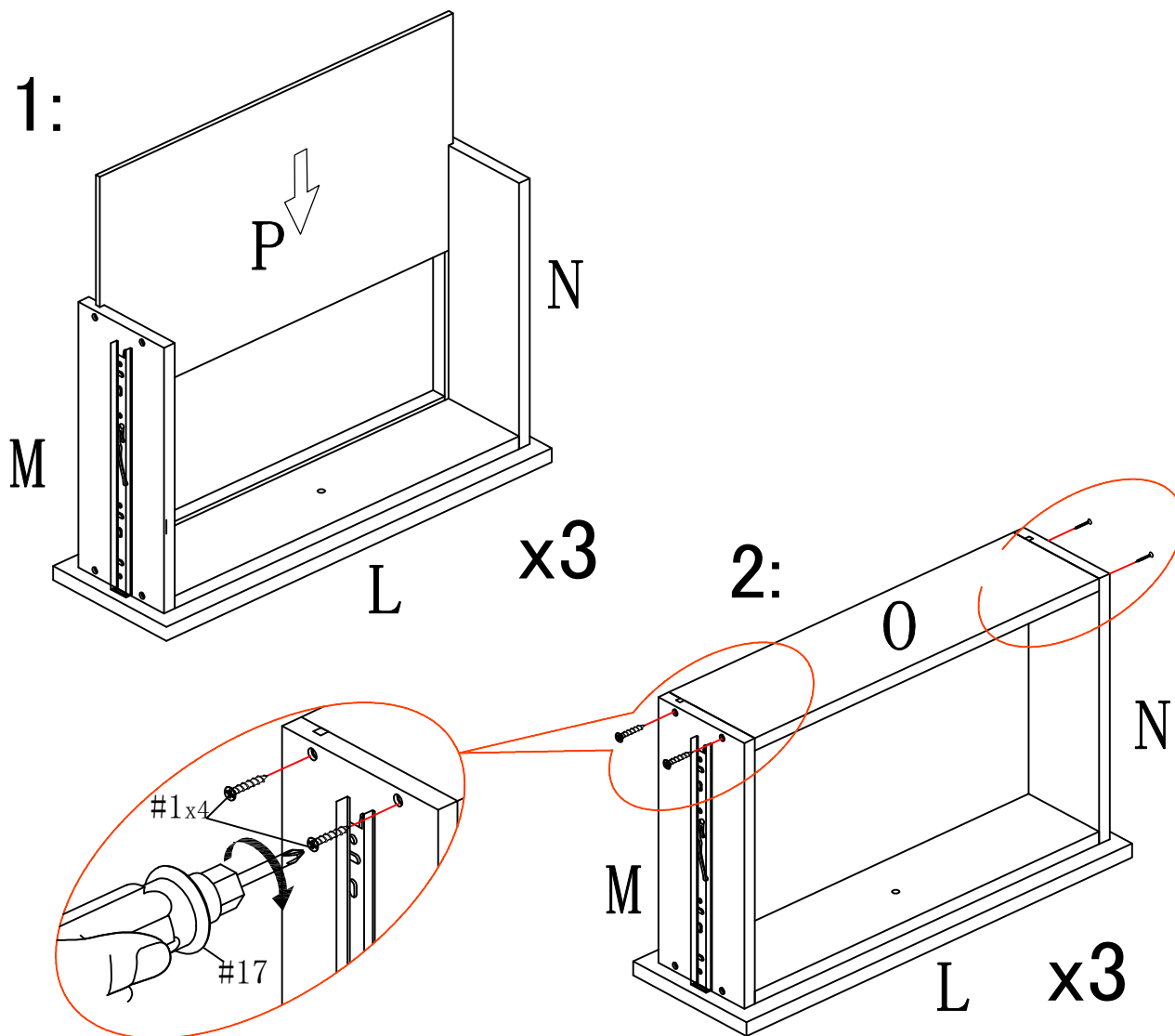
#1	x12	#17	x1
			
Ø4*25MM			


# ASSEMBLY INSTRUCTIONS

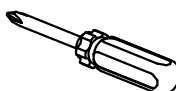
## STEP-11

1. slide in the part (P) into the groove in part (M/N). make sure they are also in groove in part (L).

2. Connect the (O) connection (N/M) using screw #1 , and tighten it with screwdriver #17.



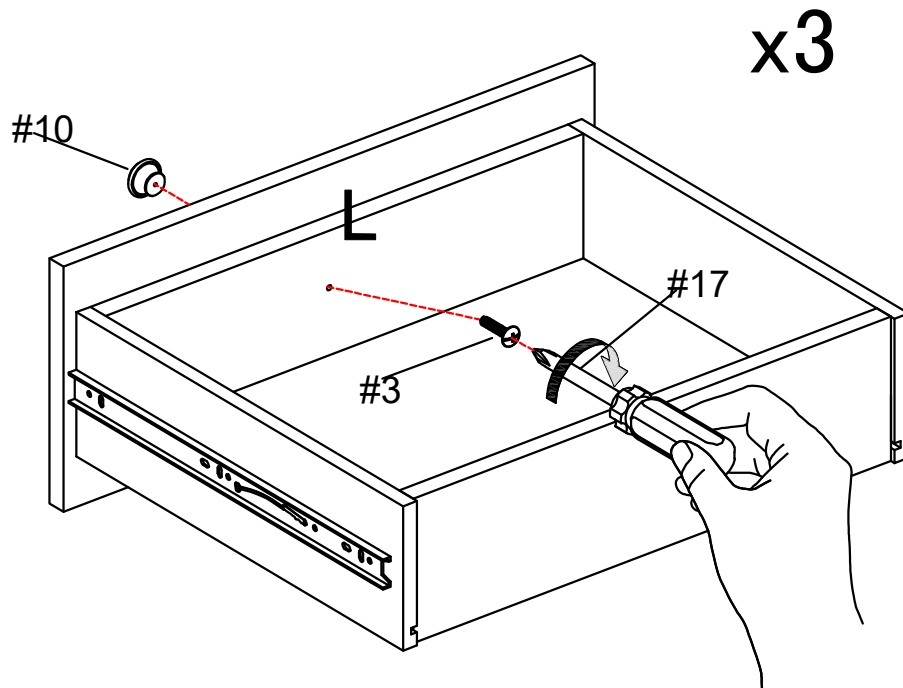
#1	x12
	
Ø4*25MM	



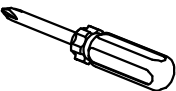
#17	x1
	

# ASSEMBLY INSTRUCTIONS

## STEP-12

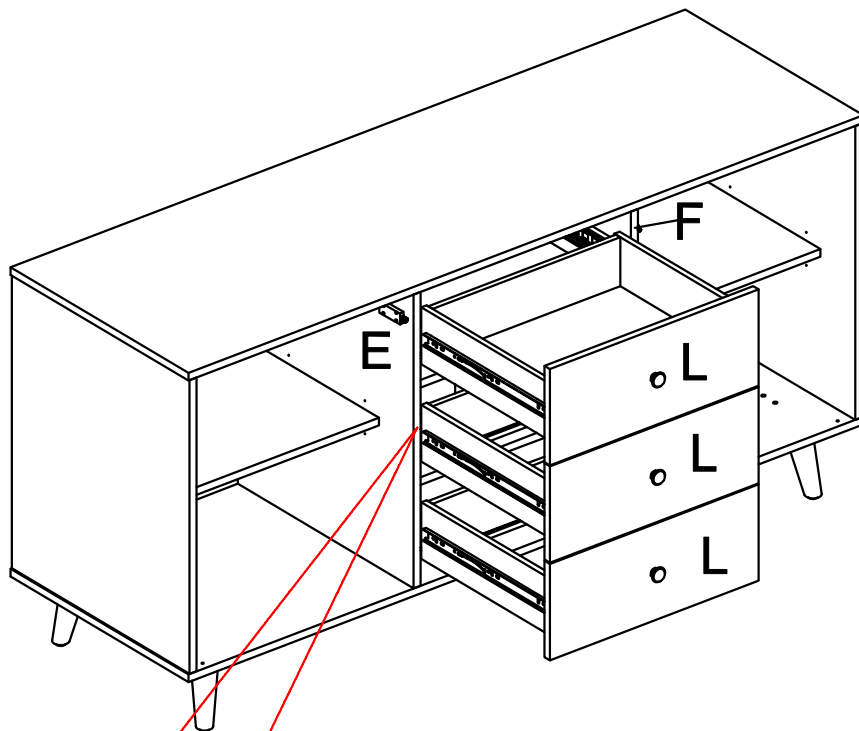
Use bolt #3 to attach handle #10 to panel (L), tighten bolts #3 with screwdriver #17.




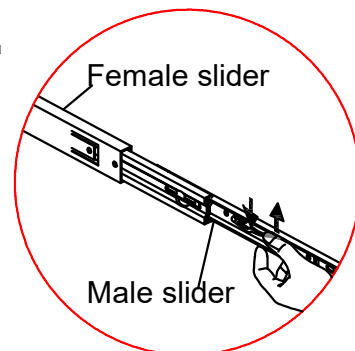
#3	x3	#10	x3	#17	x1
					
Ø4*22mm					

# ASSEMBLY INSTRUCTIONS

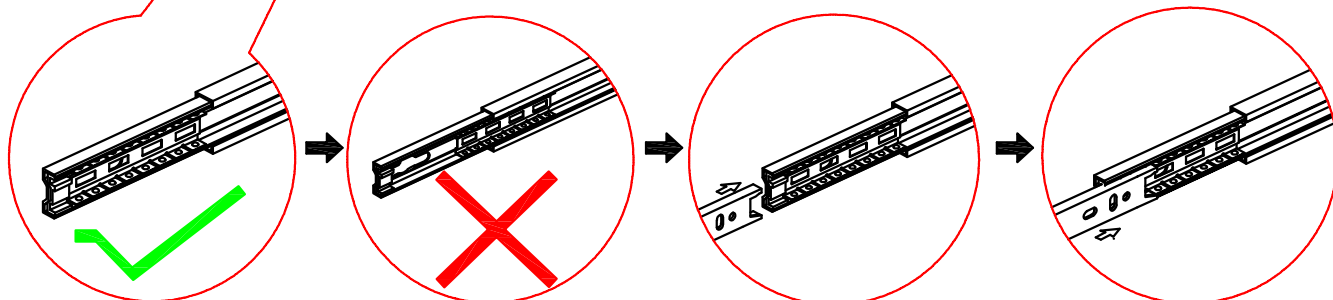
## STEP-13



  
Attention: When installing the drawer, slide the steel ball slide rail of side panel to the most front as picture show.



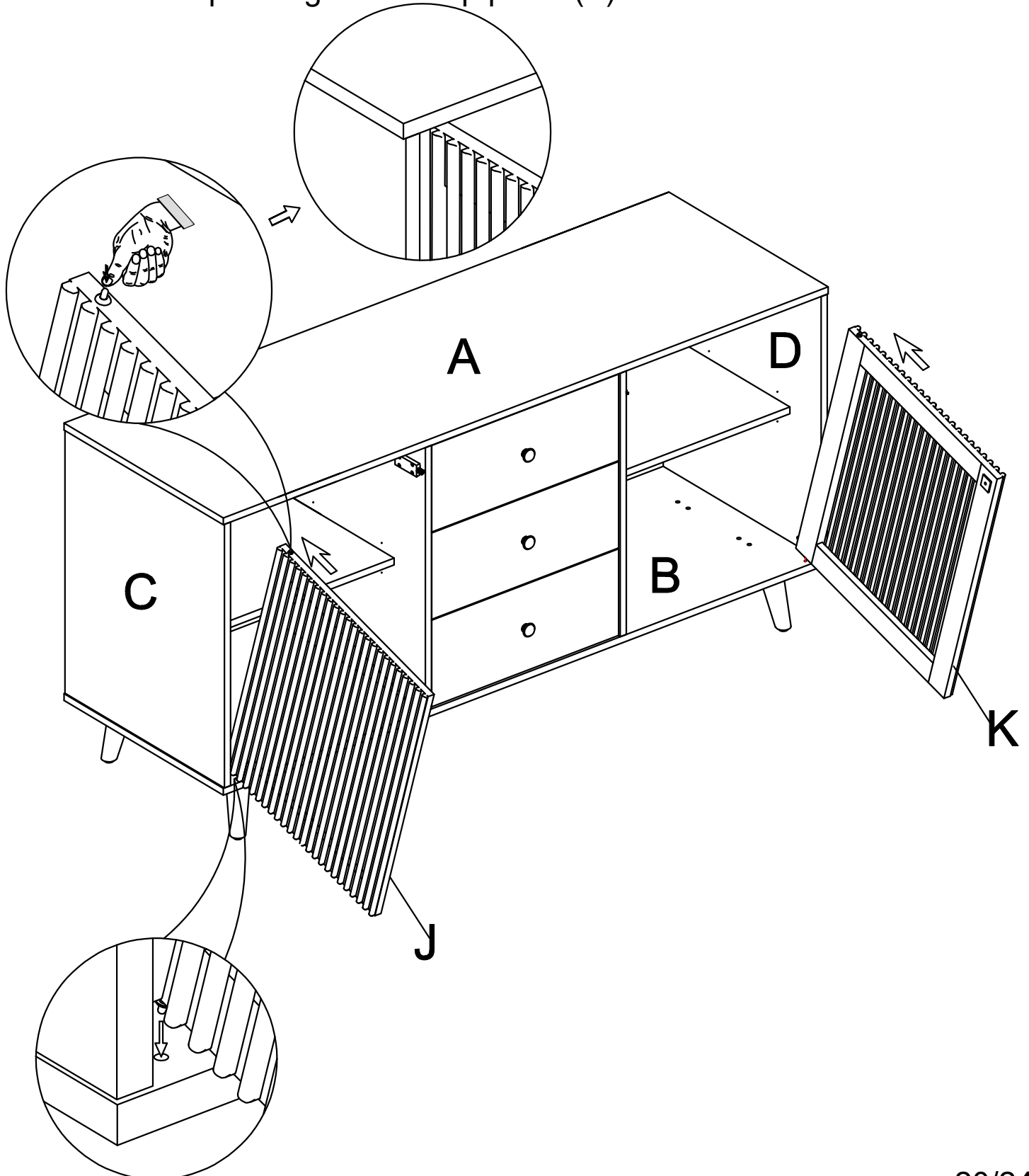
**Schematic diagram of slide rail disassembly**



# ASSEMBLY INSTRUCTIONS

## STEP-14

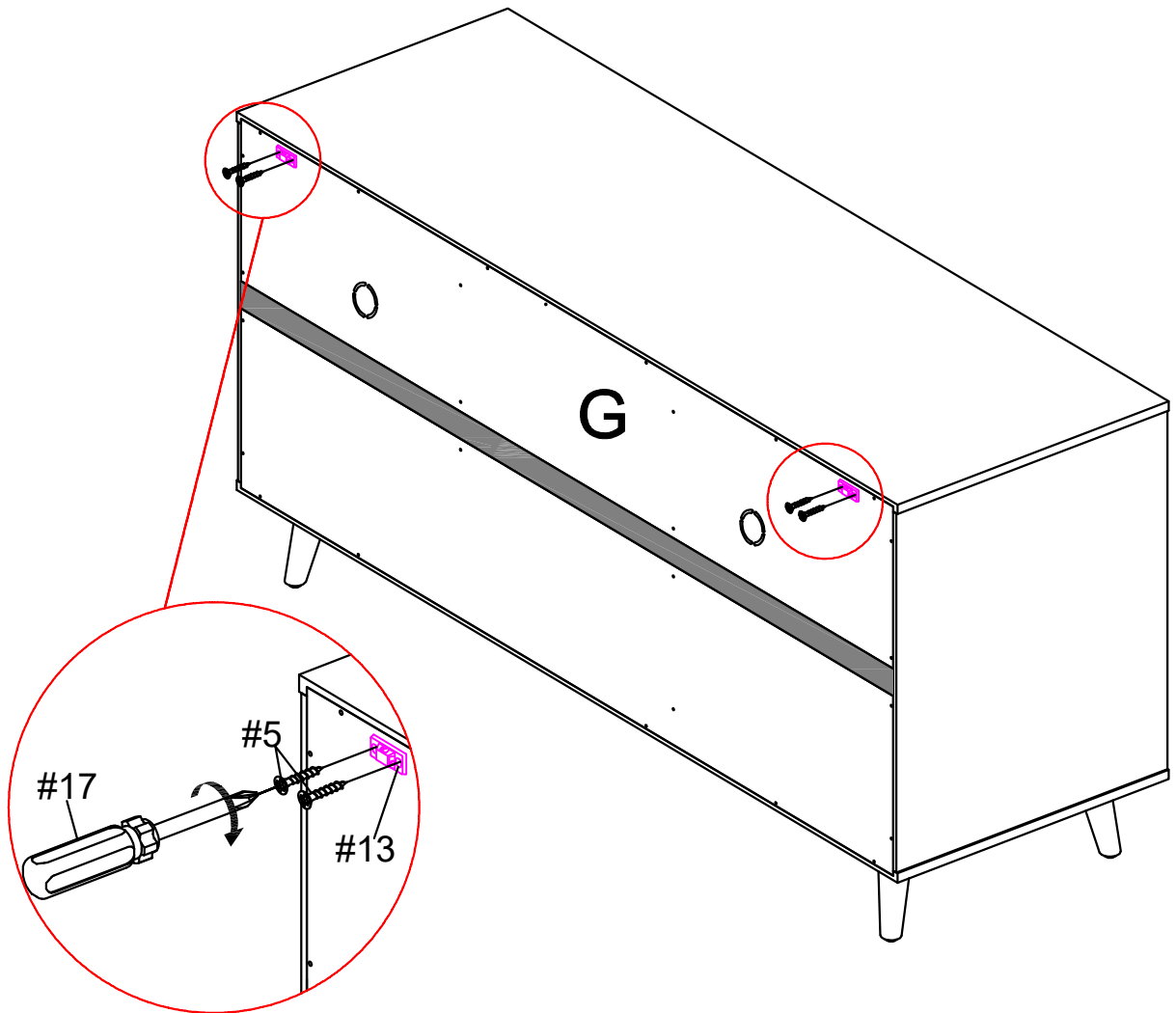
1. First, align the salient point of the lower end door spindle (J)&(K) with the corresponding hole of bottom panel(B), and then press the upper end salient point of door spindle (J/K) with hand, finally push it forward to the corresponding hole of top panel (A).


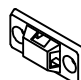
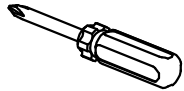


# ASSEMBLY INSTRUCTIONS

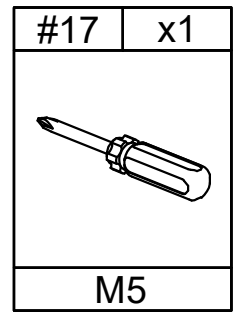
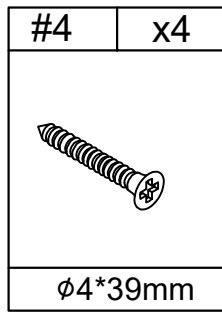
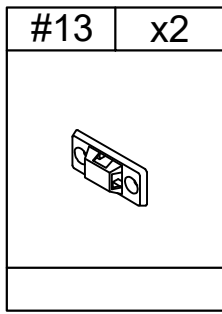
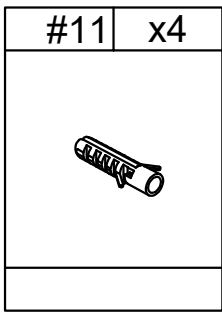
## STEP-15

1. Use screw #5 to attach part #13 to back panel (G), tighten screw #5 with screwdriver #17.



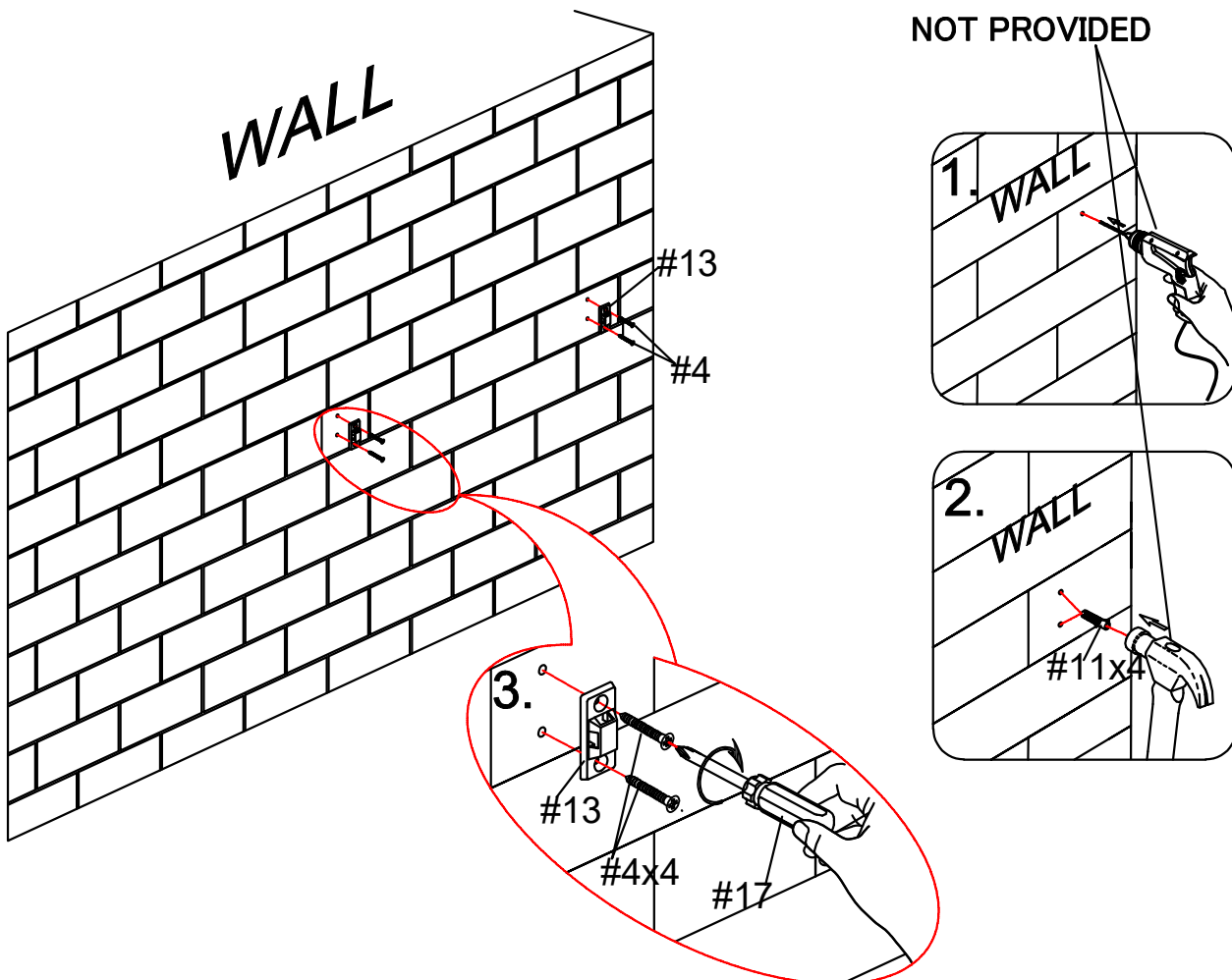
#5	x4	#13	x2	#17	x1
					
φ4*20mm				M5	

# ASSEMBLY INSTRUCTIONS

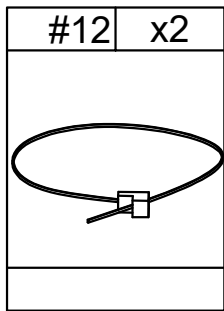


## STEP-16

1. Install the anti-collapse device.
2. Mark the position on the wall, that corresponds to the location of part #13 on the back of panel (G); Drill and insert the expandable screw #11 by hammer.
3. Assemble the part #13 to the wall. Align the hole in the part #13 with the expandable screw #11, use screw #4 to attach it and tighten by screwdriver #17.

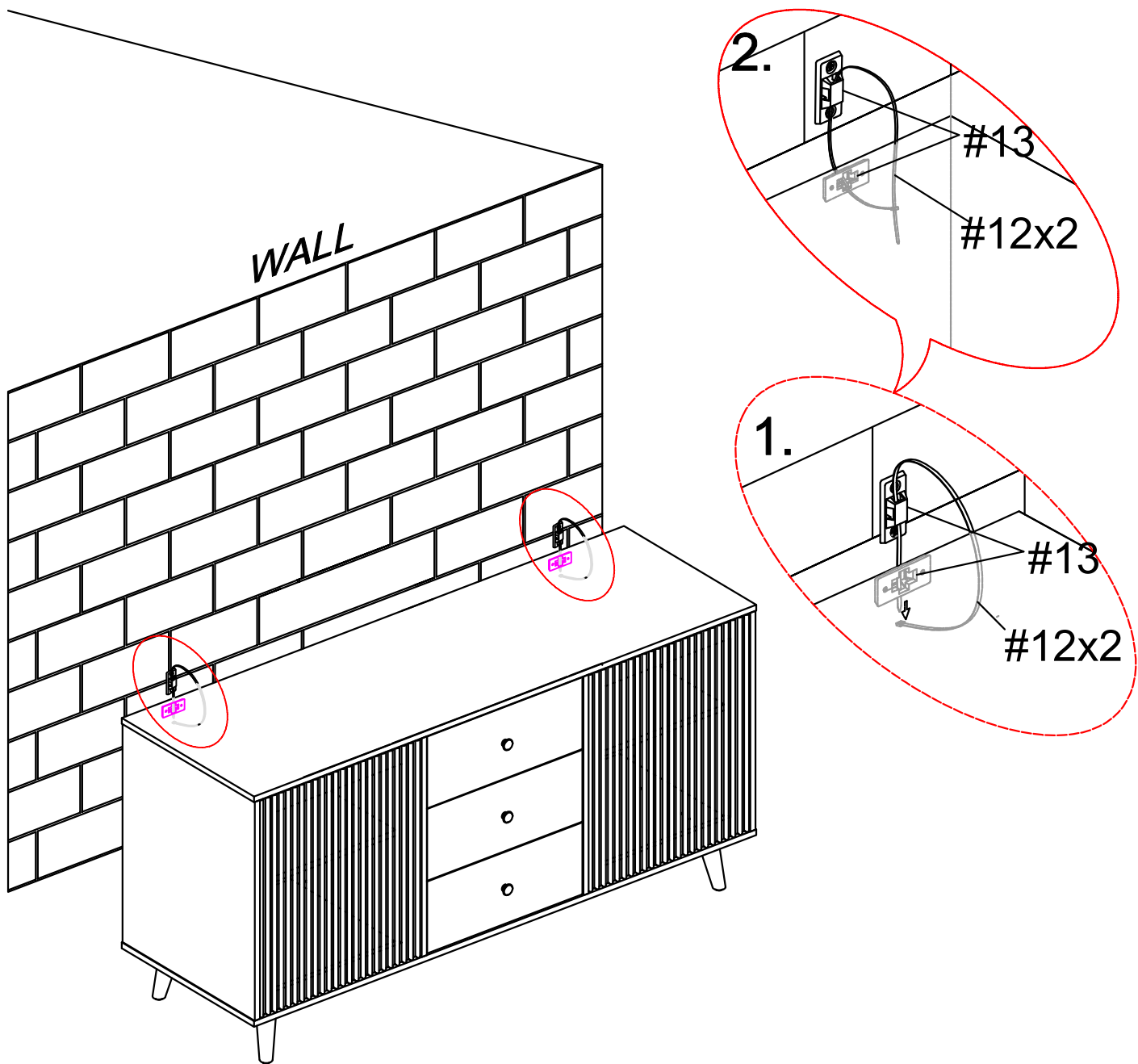


# ASSEMBLY INSTRUCTIONS



## STEP-17

Let the plastic belt #12 pass through the both part #13 and pull tightly.



# WARRANTY

1. We strive to offer high-quality products, and we also try our best to satisfy each and every customer that orders from us with product or service as needed.
2. We provide 30 days warranty starting from the time you receive the item. Each customer must provide a record of their order such as the order number, or item receipt for any items that are out of the warranty period you may also still receive.
3. Replacement parts by purchasing them with our company if they are available.