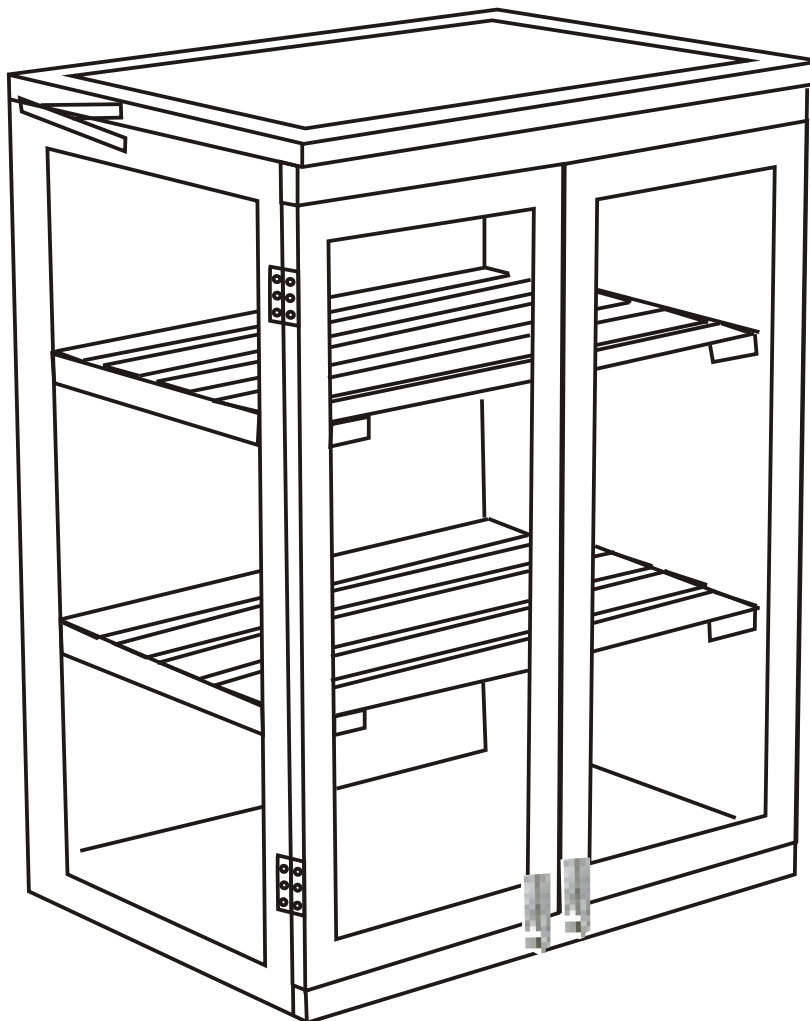


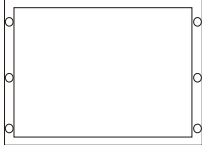
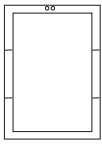
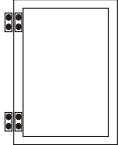
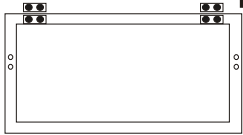
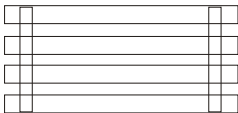







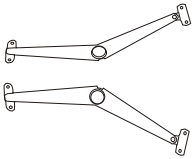



GL C000000

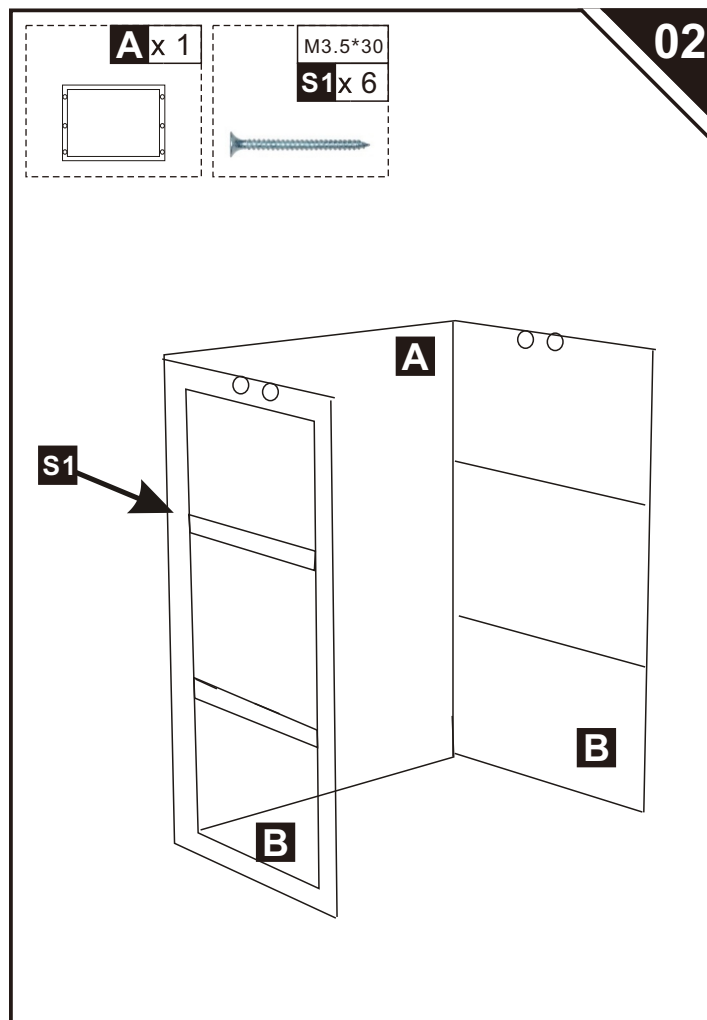
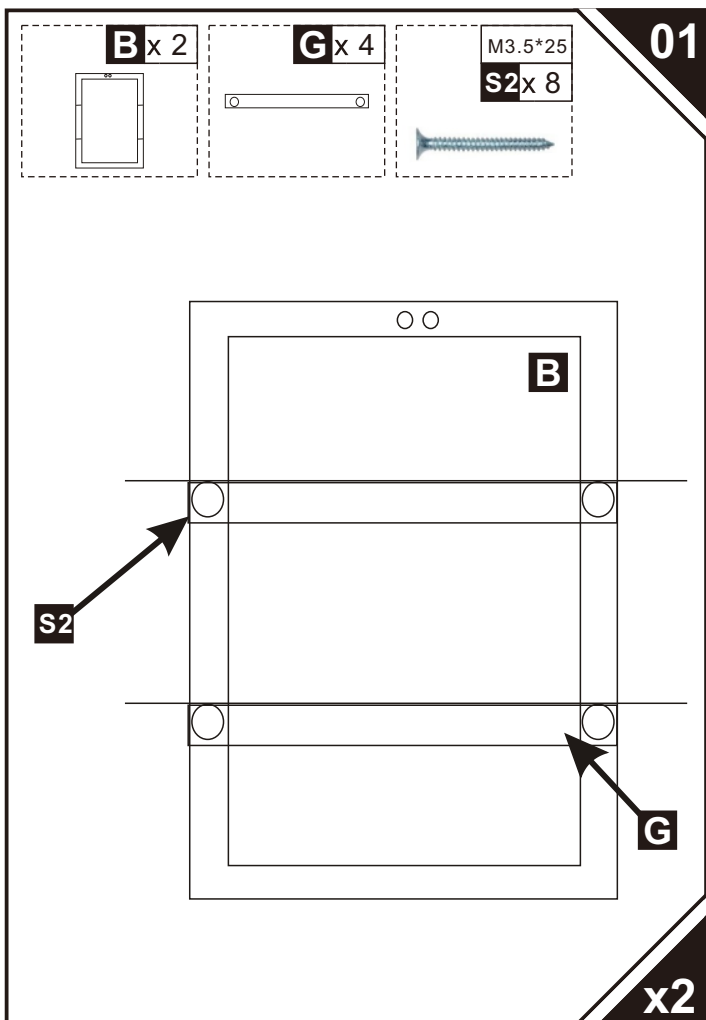
845-287

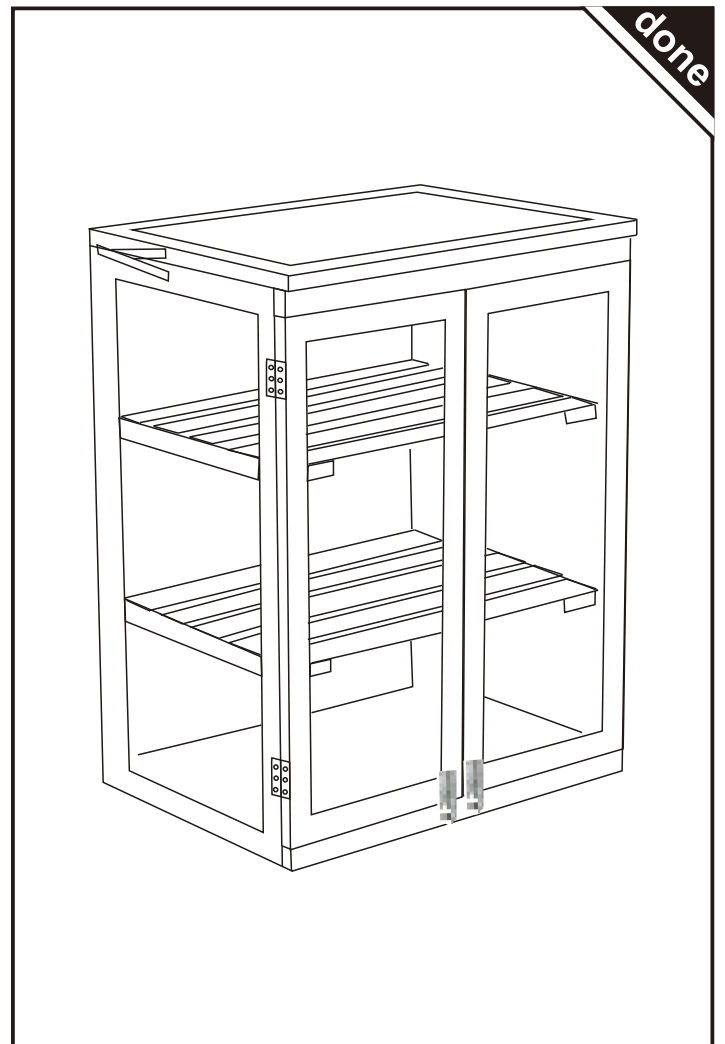
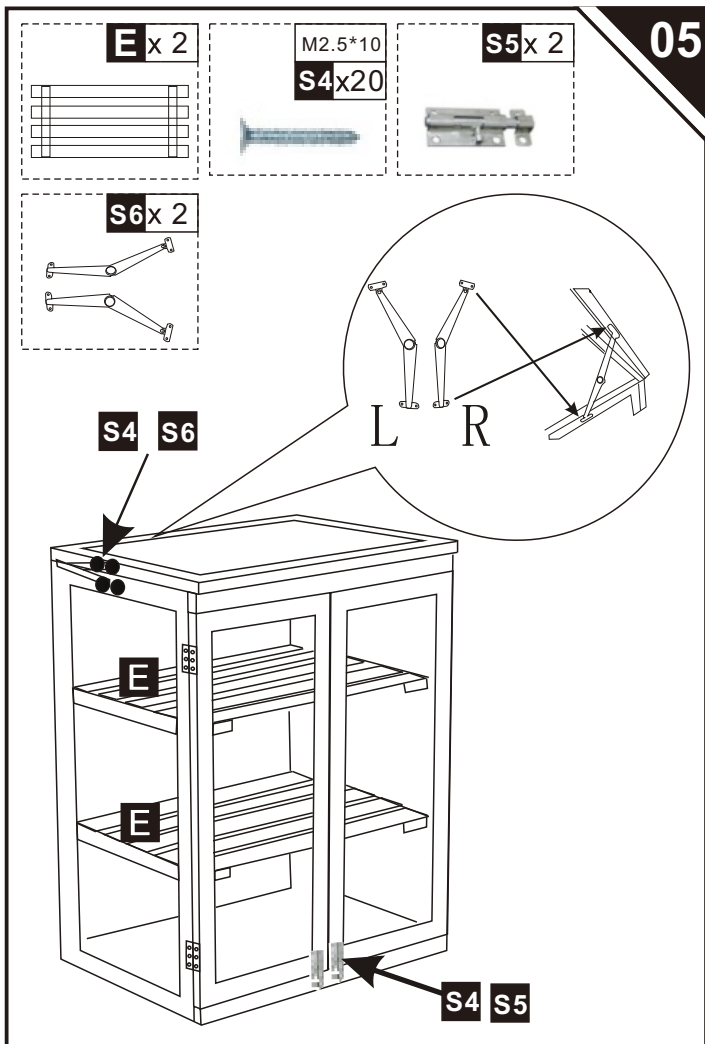
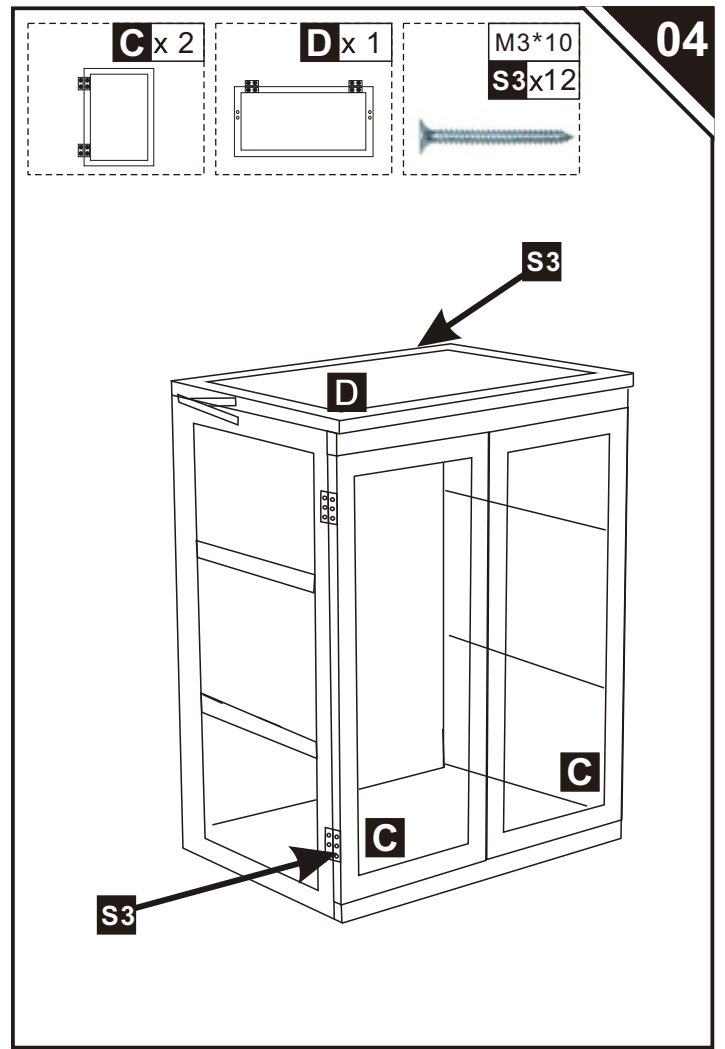
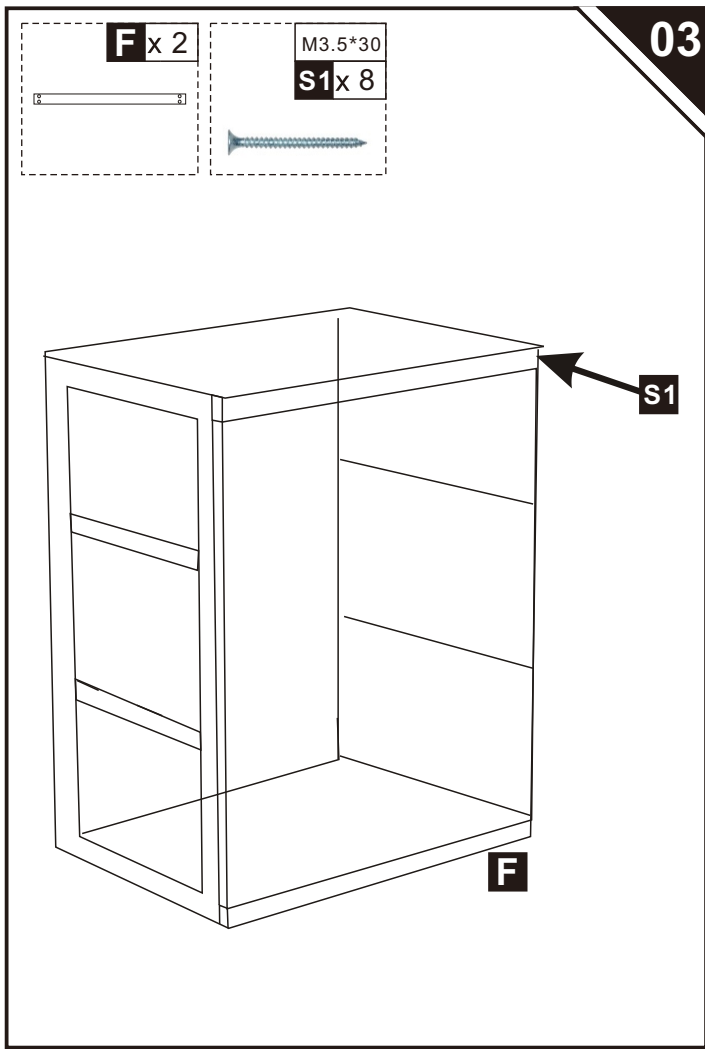


ASSEMBLY INSTRUCTION

 <b>A</b> x 1	 <b>B</b> x 2	 <b>C</b> x 2
 <b>D</b> x 1	 <b>E</b> x 2	 <b>F</b> x 2
 <b>G</b> x 4	 M3.5*30 <b>S1</b> x 14	 M3.5*25 <b>S2</b> x 8
 M3*10 <b>S3</b> x 12	 M2.5*10 <b>S4</b> x 20	 <b>S5</b> x 2
 <b>S6</b> x 2	 spare screw M3*14 <b>S7</b> x 10	

**NOT INCLUDED**





US



001-877-644-9366  
customerservice@aosom.com

CA



001-855-537-6088  
customerservice@aosom.ca

UK



0044-800-240-4004  
enquiries@mhstar.co.uk

DE



0049-(0)40-88307530  
service@aosom.de

FR



0033-1-84166106  
contact@aosom.fr

ES



0034-931294512  
atencioncliente@aosom.es

IT



0039-0249471447  
clienti@aosom.it