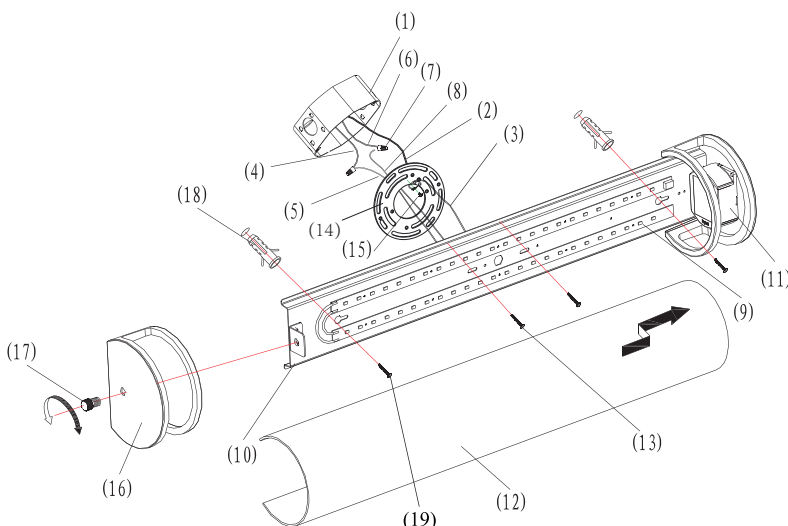


## ASSEMBLY AND INSTALLATION

1. Turn off the power.
2. Remove the ring(16) from the lamp by loosening the mount screw(17)  
Remove the cover lens (12) from the fixture housing (10) .  
Position your fixture over the junction box (1).Mark the location of the two keyhole slots located on the fixture housing (10).Be sure to mark only the narrow parts of keyhole slots. Remove the fixture housing (10) from the wall .Drill the two holes using the appropriately sized drill bit. Insert the provided anchors (18) into the holes.
3. Pull the supply wires (4) & (6) and ground wire (2) out from the junction box (1).
- 4.Connect the ground wire (2)  
to the fixture ground wire (3) by ground screw(15).  
Connect the white supply wire (4) to the white fixture wire (5) ,  
connect black supply wire (6) to the black fixture wire(8) by using  
wire connectors (7). Carefully tuck all wires back into the junction  
box (1).
5. Locate the Fixture Housing(10) over the junction box (1) ,  
put the fixture screw through the long hole slot on the Fixture  
housing (10) and thread into the junction box(1).Then secure the Fixture  
housing(10)to the junction box(1) by tightening the two Fixture Screws(13).  
Then secure the anchor screws (19) to the anchors (18).
6. Secure the cover lens (12) and the ring(16) to the fixture housing  
by tighten the the mount screw(17).

### **INSTALLATION IS NOW COMPLETED**



- 1.JUNCTION BOX
- 2.HOUSE GROUND WIRE
- 3.FIXTURE GROUND WIRE
- 4.WHITE SUPPLY WIRE
- 5.WHITE FIXTURE WIRE
- 6.BLACK SUPPLY WIRE
- 7.WIRE CONNECTOR
- 8.BLACK FIXTURE WIRE
- 9.LED BOARD
- 10.FIXTURE HOUSING
- 11.LED DRIVE
- 12.COVER LENS
- 13.FIXTURE SCREW
14. MOUNT BRACKET
- 15.GROUND SCREW
- 16.RING
17. MOUNT SCREW
- 18.ANCHOR
- 19.ANCHOR SCREW

### **Caution:**

- i) Please read and follow the Instruction carefully before installation.
- ii) For indoor use only.
- iii) Only installed by licensed electrician or technician that have electrical knowledge and fully understand the safety requirements.
- iv) Power must be turned off during installation and servicing
- v) Limited Warranty.
- vi) Only operate product with voltage and frequency stated on this instruction, to operate product at different voltage and frequency will affect the life of product.