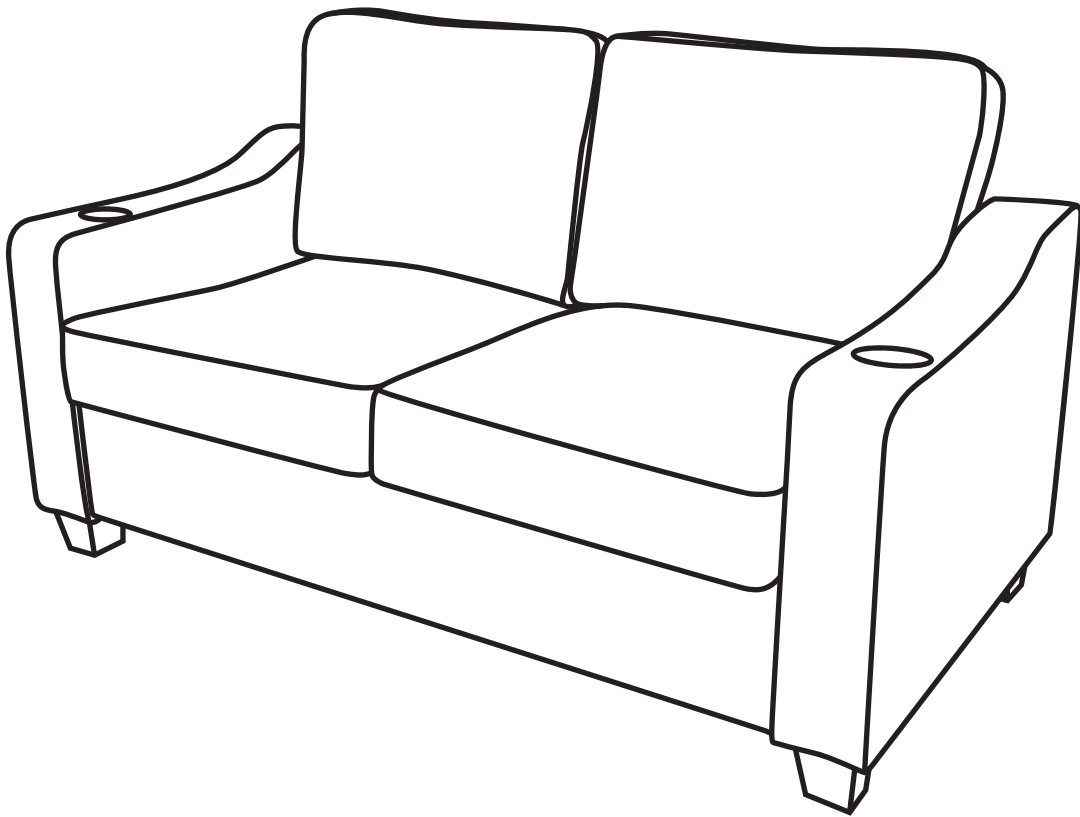


# CHIC HOUSE



## CURLIN

**ASSEMBLY INSTRUCTIONS** - please keep for future reference.

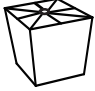

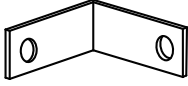









**IMPORTANT** - please read these instructions before assembly.

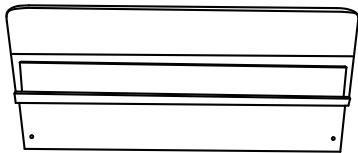
**CUSTOMER SUPPORT** - [support@chichouse.cn](mailto:support@chichouse.cn)



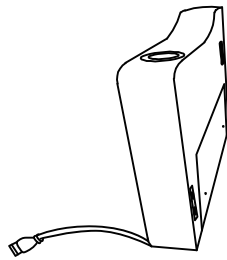
# Components

Please check if all the pieces listed below are received.

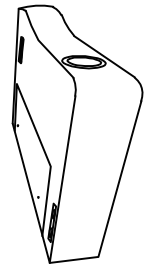
(A)*4  Sofa Foot	(B)*4  M8*100MM Hexagonal Screw	(C)*2  Corner Code	(D)*4  M6*25MM Hexagonal Screw	(L)*4  13MM Gasket	(E)*4  M6*35MM Hexagonal Screw
(F)*1  M5*100*45MM Screwdriver(1)	(G)*1  M5*100*45MM Screwdriver(1)	(H)*4  16MM Gasket	(I)*4  Slip Pad	(J)*1  Plug	(K)*1  Remote Control



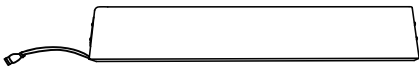
①\*1  
Backrest



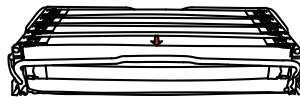
②\*1  
Left Armrest



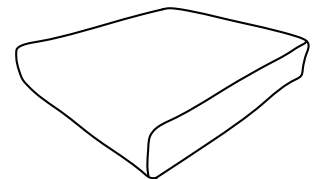
③\*1  
Right Armrest



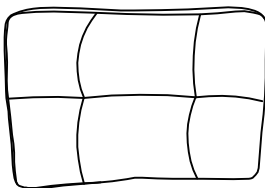
④\*1  
Seat front baffle



⑤\*1  
Iron Bed Frame



⑥\*2  
Seat Cushion



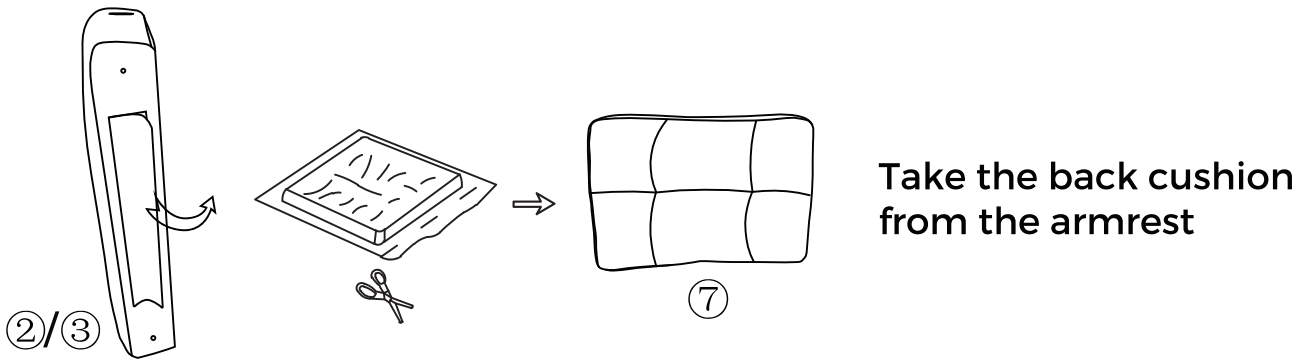
⑦\*2  
Back Cushion



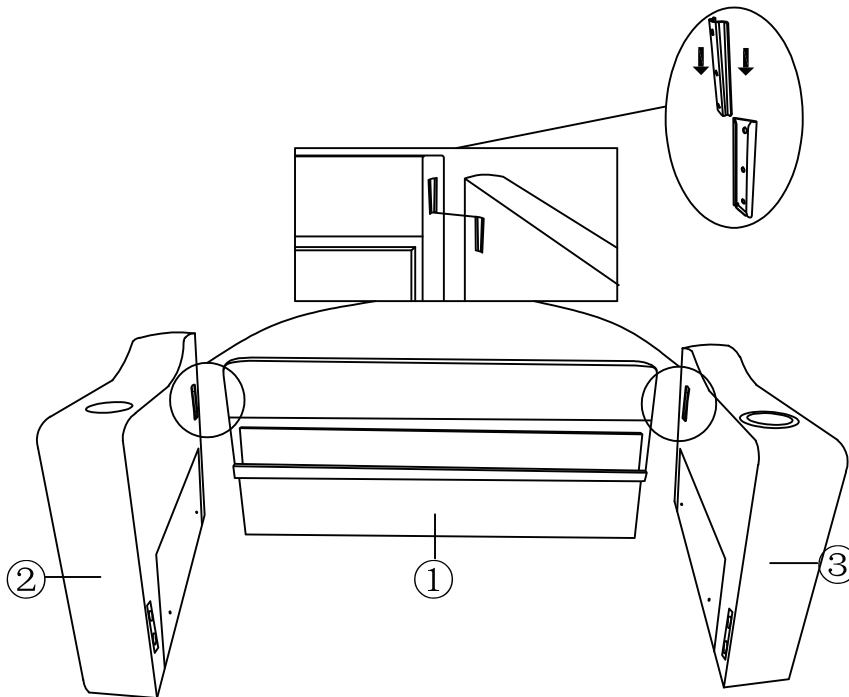
⑧\*2  
Throw Pillow

# Assembly Instructions

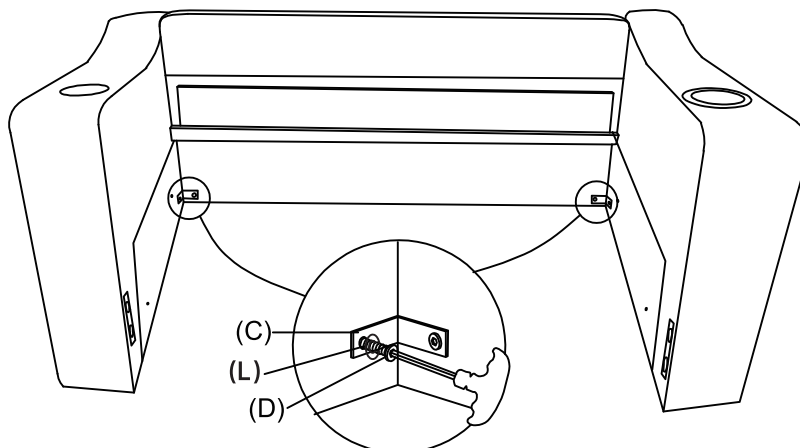
**CAUTION : Inappropriate installation of screws will cause damages to the product !**



## STEP 1

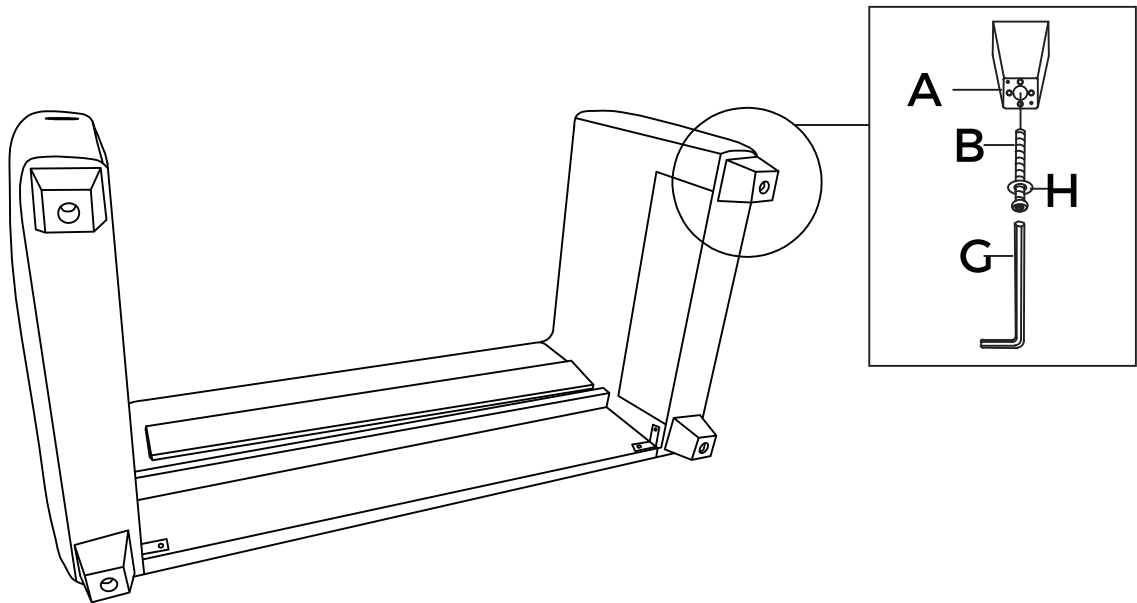


## STEP 2

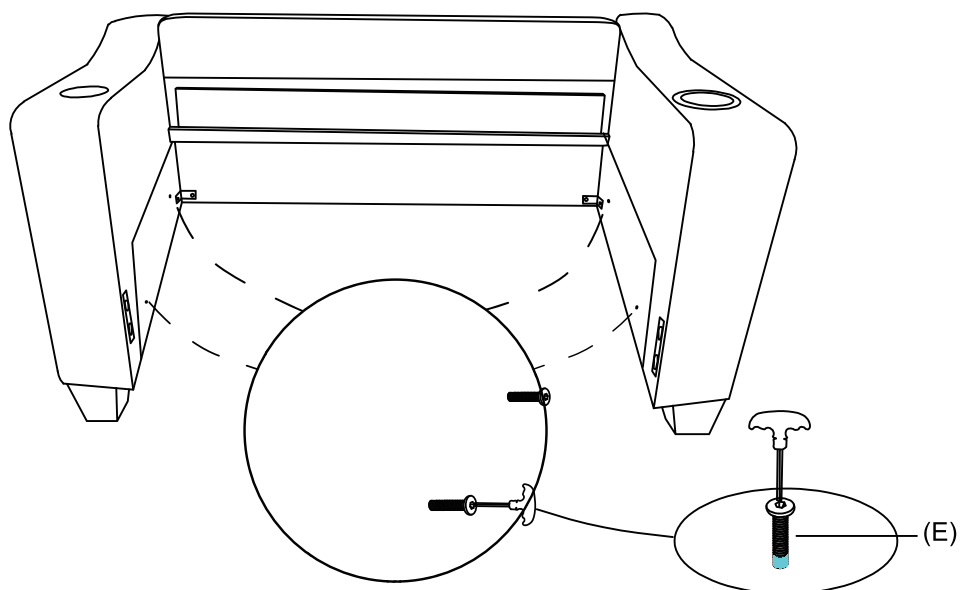


# Assembly Instructions

## STEP 3



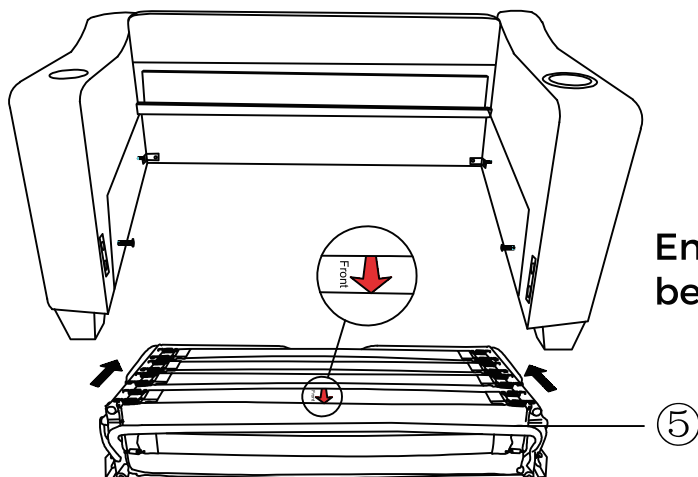
## STEP 4



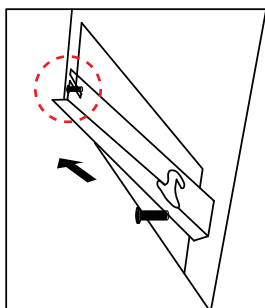
Insert screw (part number E) into the blue stop until half of the screw remains exposed.

# Assembly Instructions

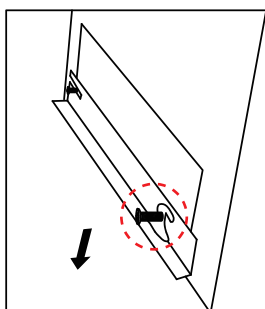
## STEP 5



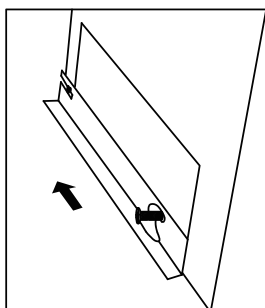
Ensure the red arrow affixed to the bed frame is facing towards you.



(1) Insert the two slots located at the end of the bed frame into screw 'E'.



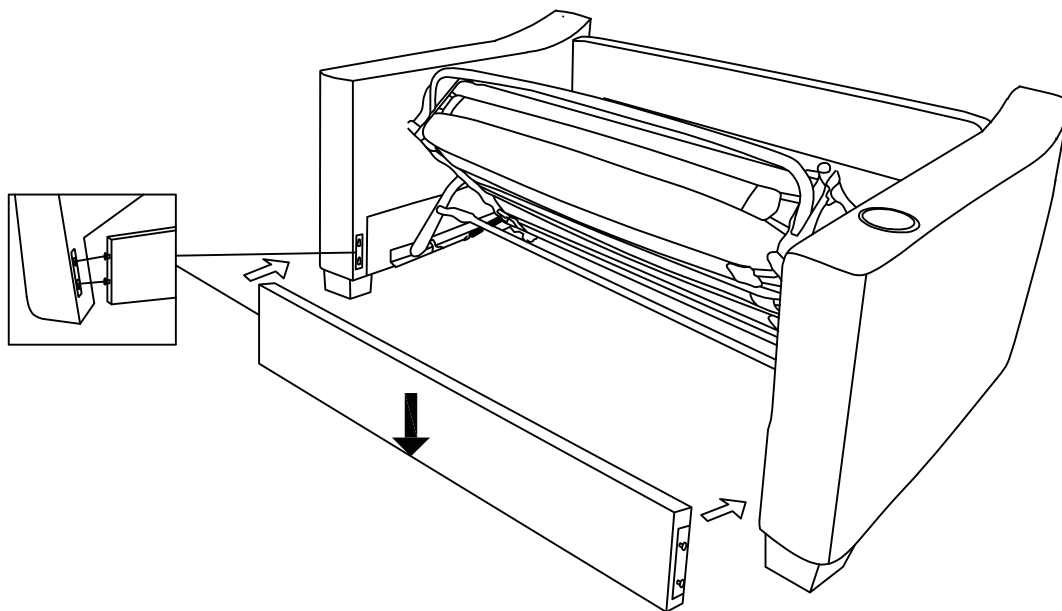
(2) Align the hooks on both sides of the bed frame and then hang them onto screw 'E'.



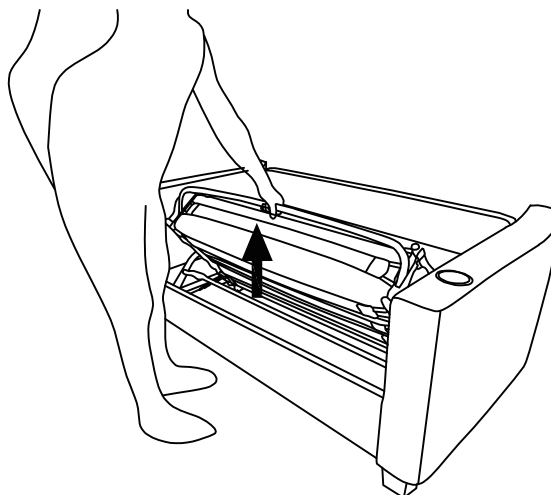
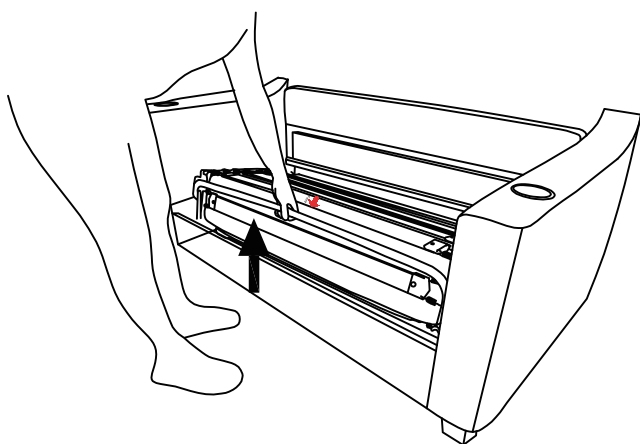
(3) Ensure that all four holes/hooks on the rods along the sides of the bed frame are securely engaged with the four half-inserted screws 'E' on the armrests. Then, push the bed frame forward.

# Assembly Instructions

## STEP 6



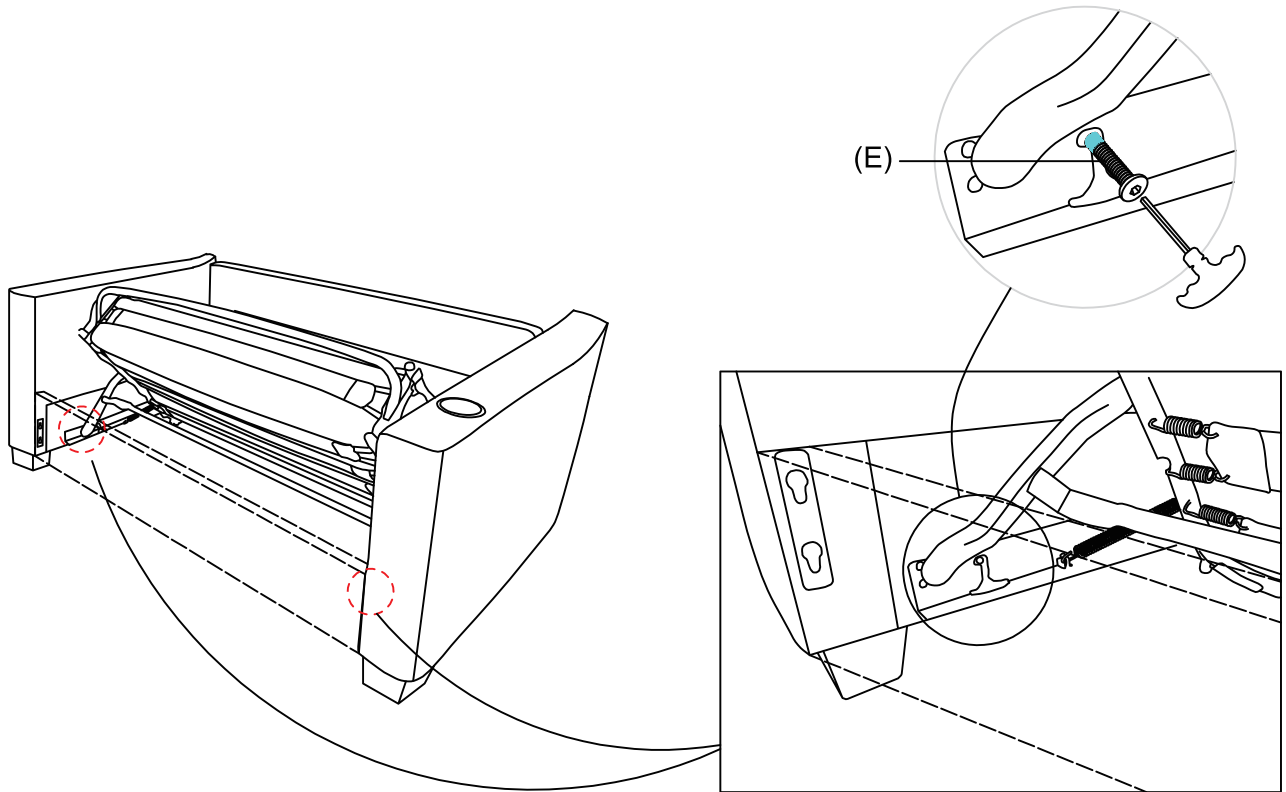
Cut the ties on the bed frame and attach the front panel of the sofa.



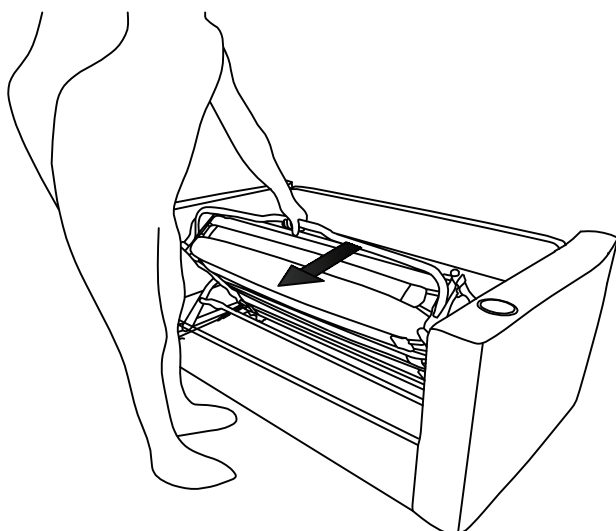
Grasp the bar of the bed frame and gently lift it upwards until there is sufficient space to fully tighten the screws 'E'.

# Assembly Instructions

## STEP 7



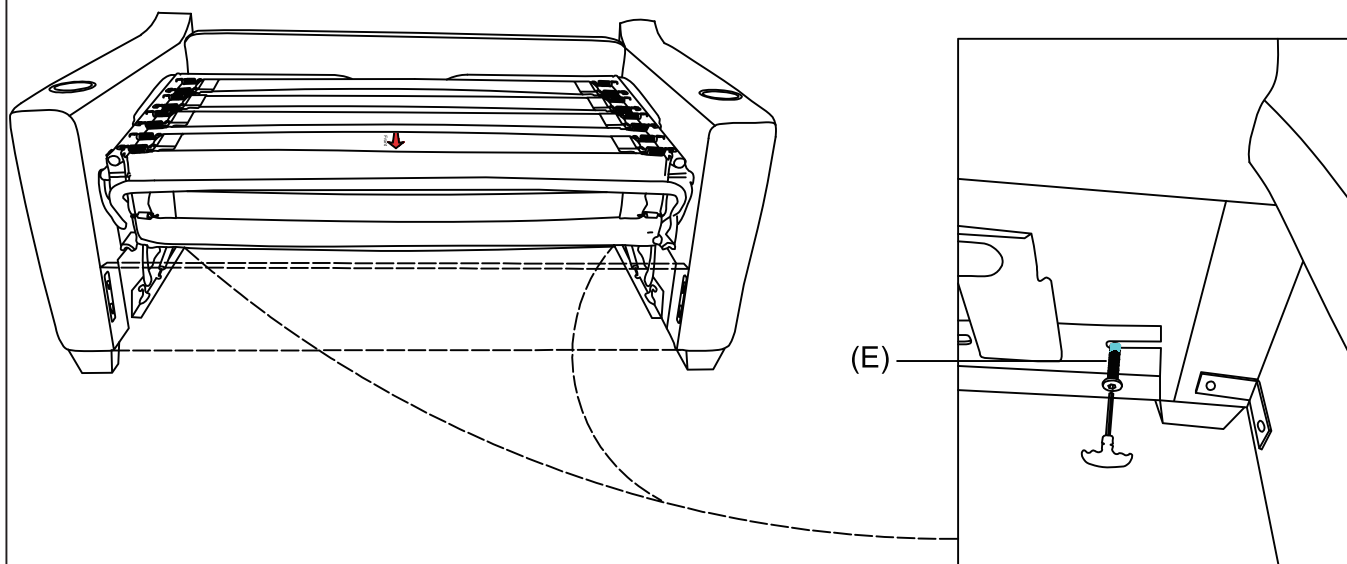
## STEP 8



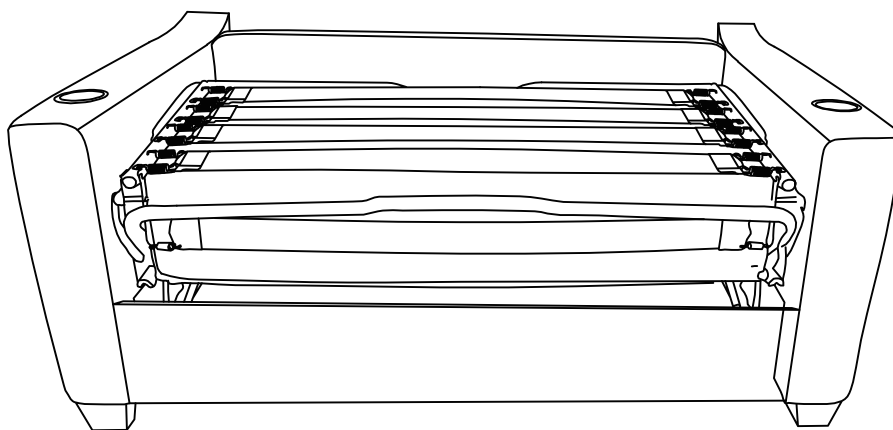
Grasp the bar, pull it forward, and then lay the bed frame flat.

# Assembly Instructions

## STEP 9

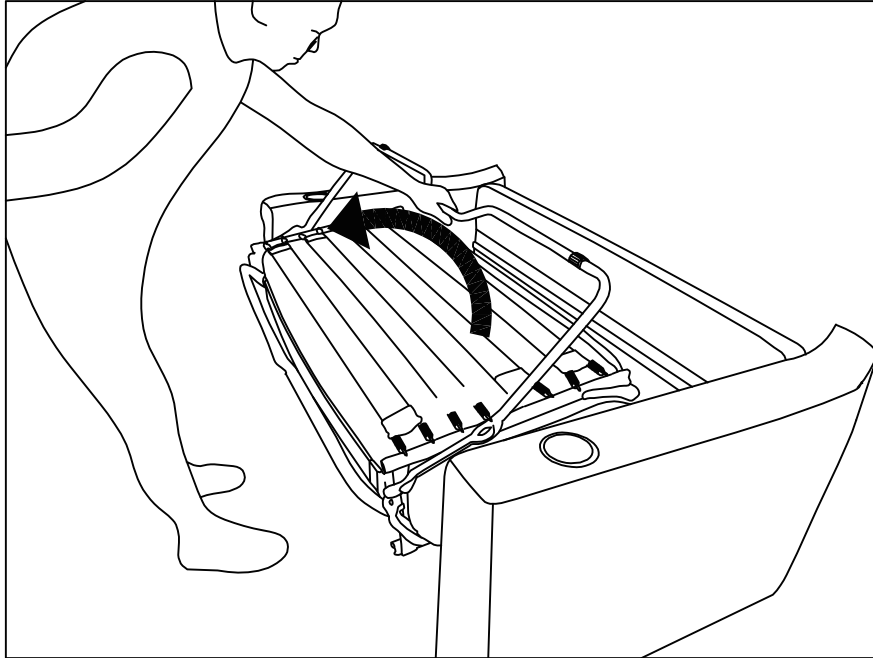


Tighten the remaining two half-exposed screws 'E' until fully secure. This completes the installation of all four screws 'E', ensuring they are fully tightened and fixed in place.

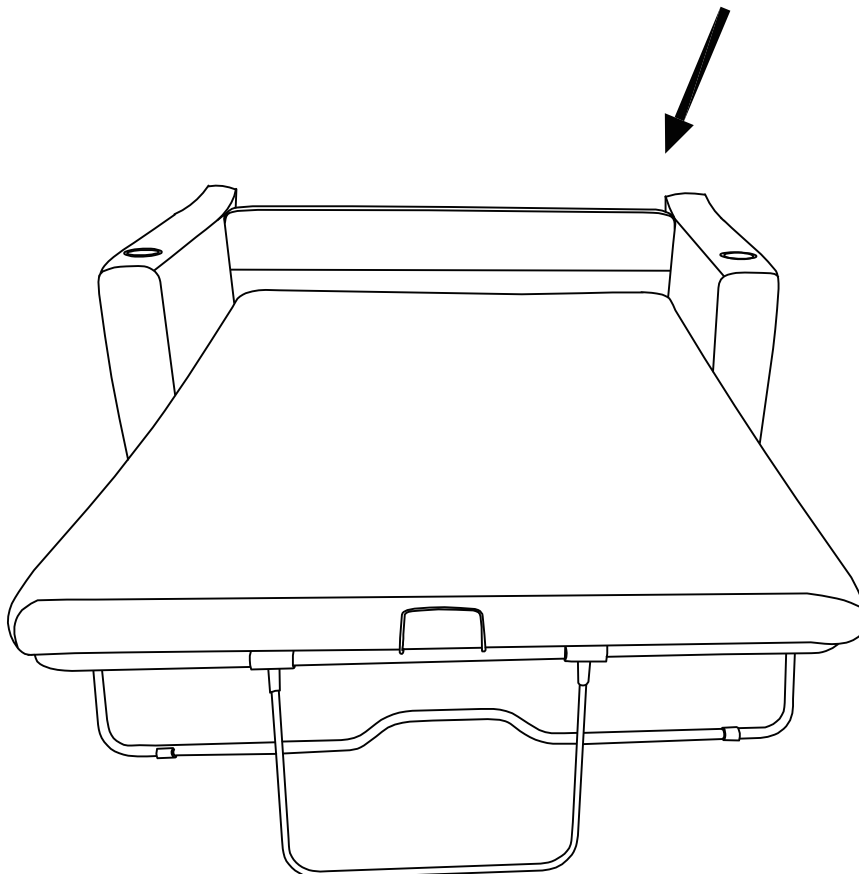


# Assembly Instructions

## STEP 10

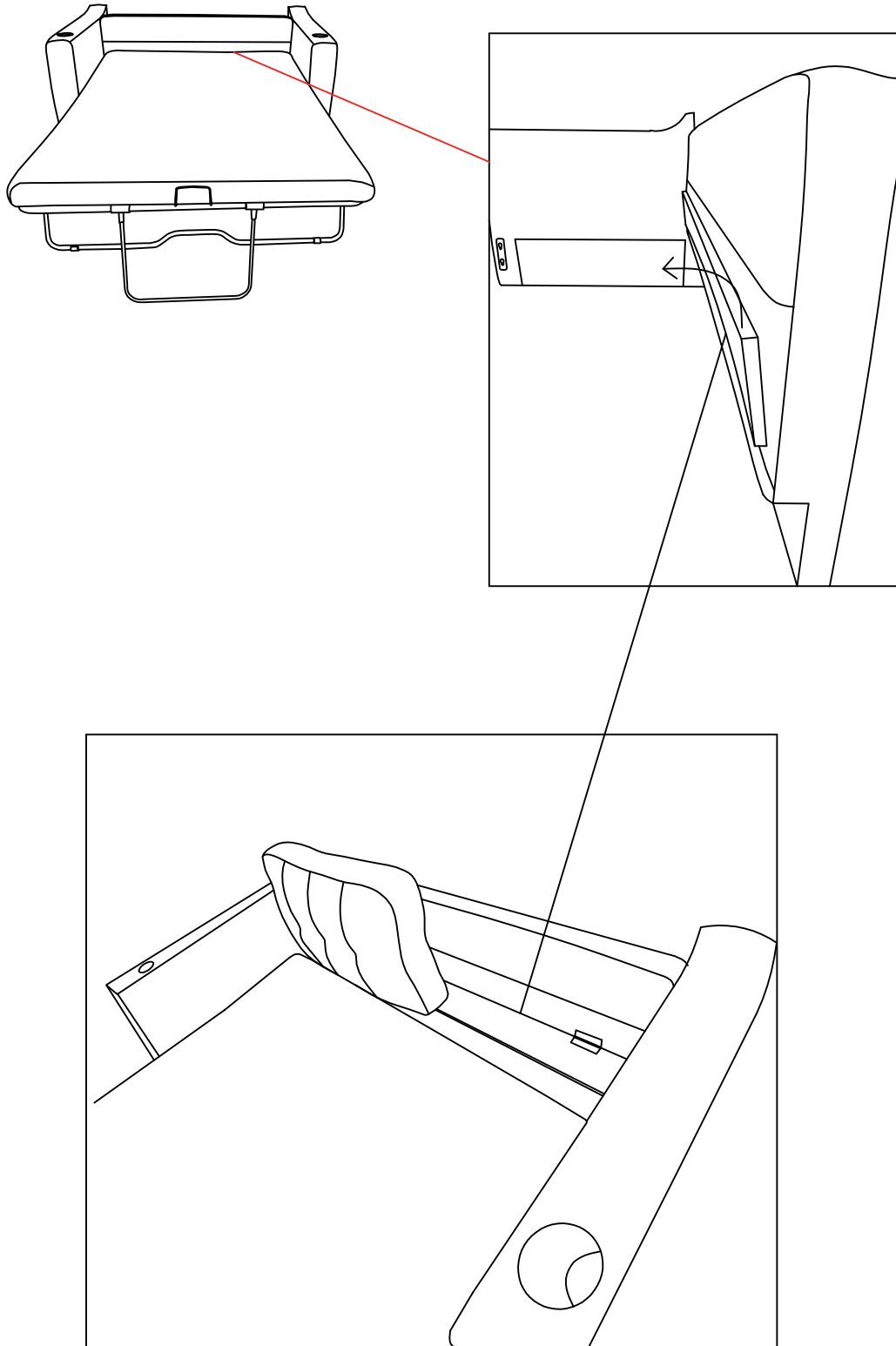


Open the foldable section of the iron frame.



# Assembly Instructions

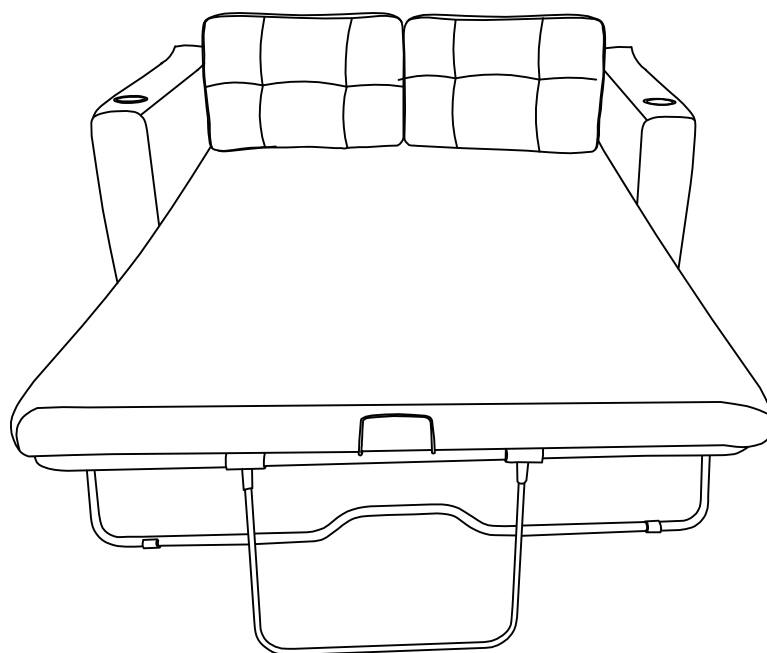
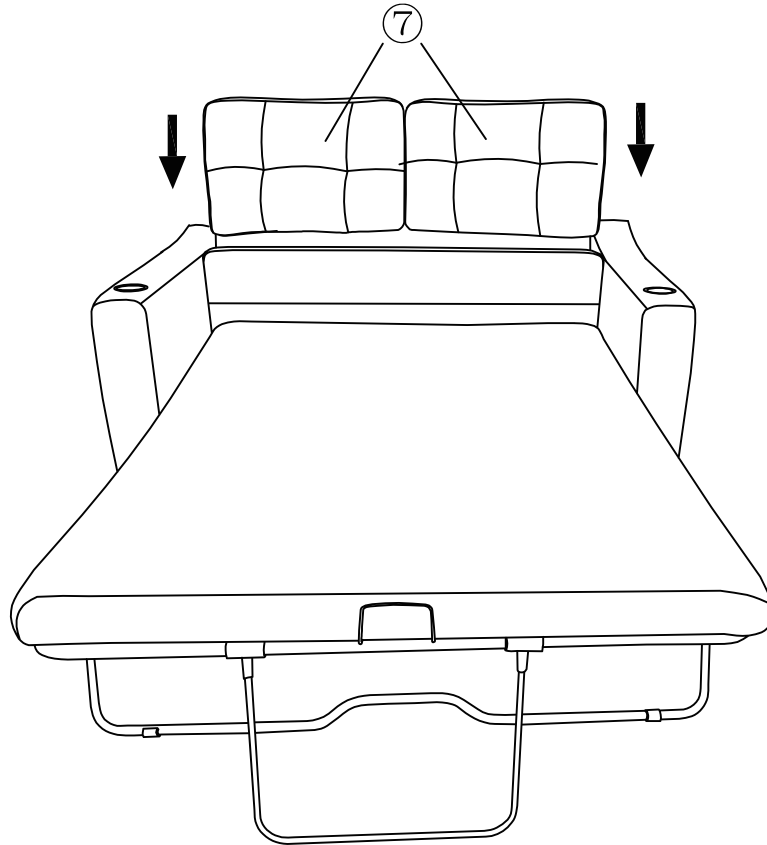
## STEP 11



Convert the sofa into a bed with a backrest by lowering the panel and positioning the backrest on top.

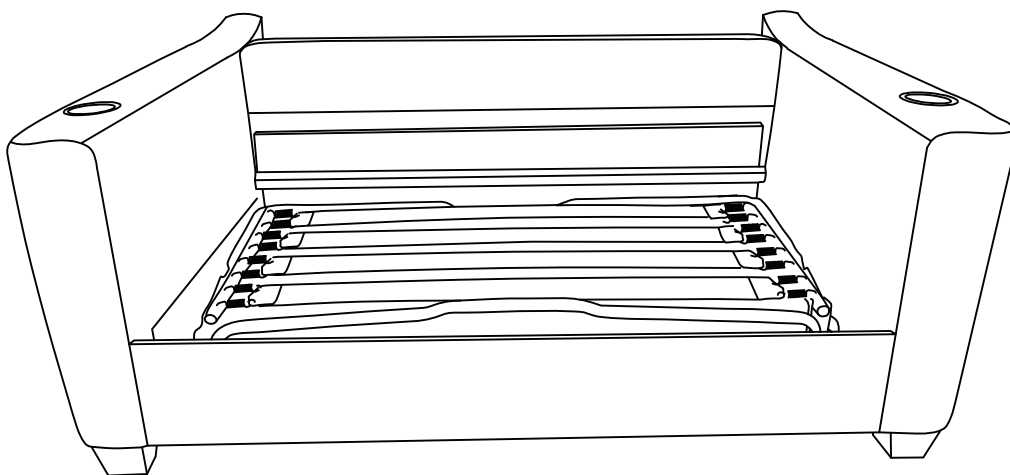
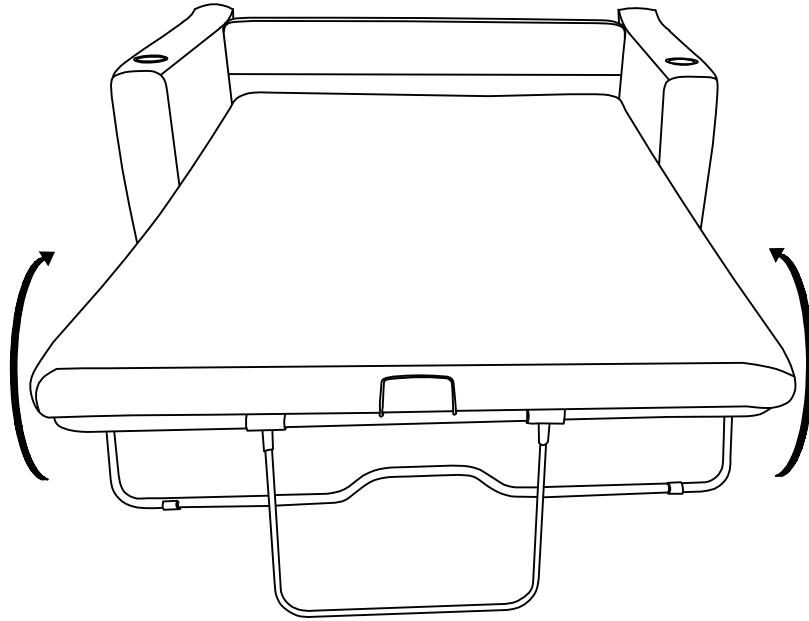
# Assembly Instructions

## STEP 12



# Assembly Instructions

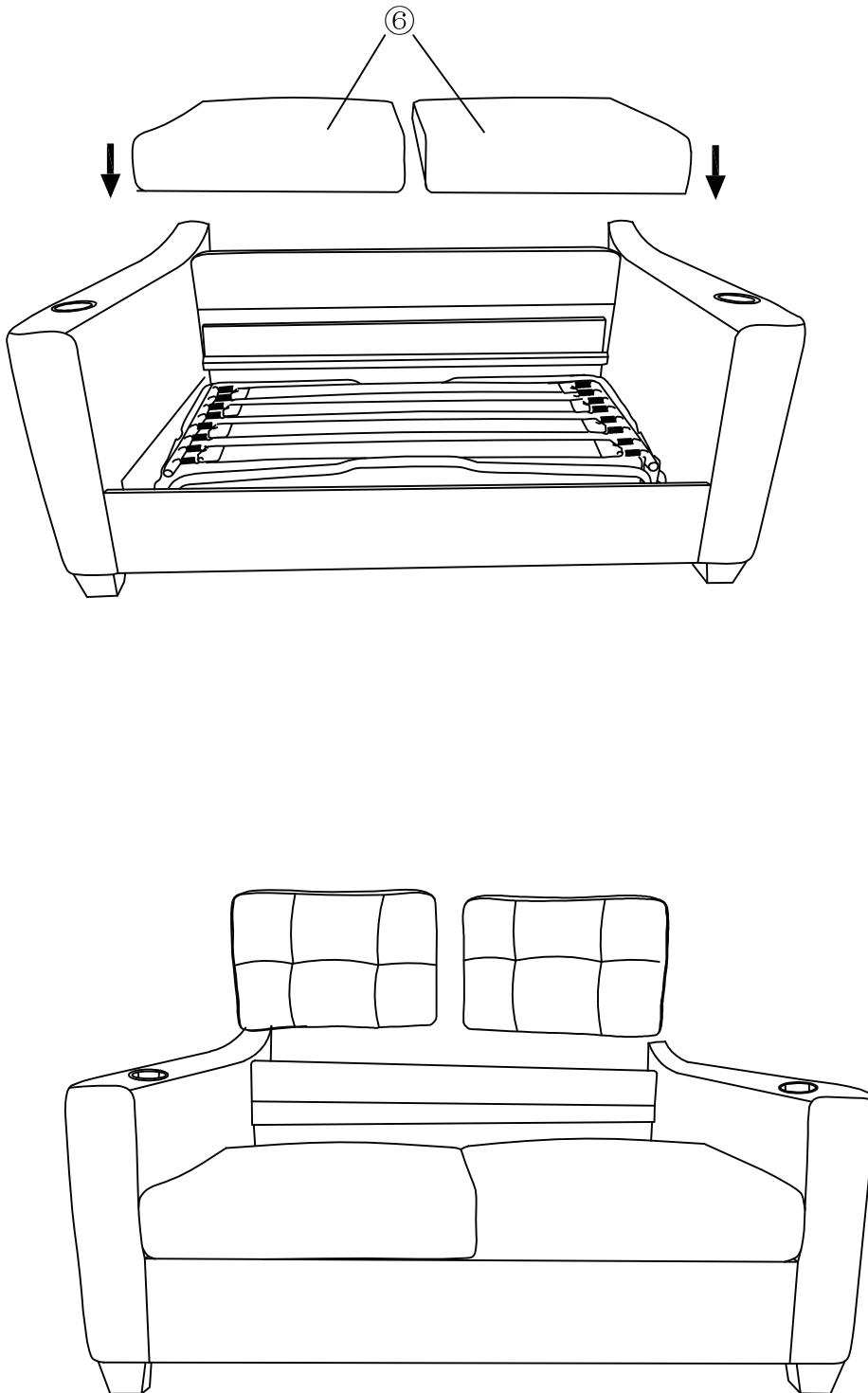
## STEP 13



Put the bed frame back

# Assembly Instructions

## STEP 14



# Assembly Instructions

## STEP 15

Assembly completed

