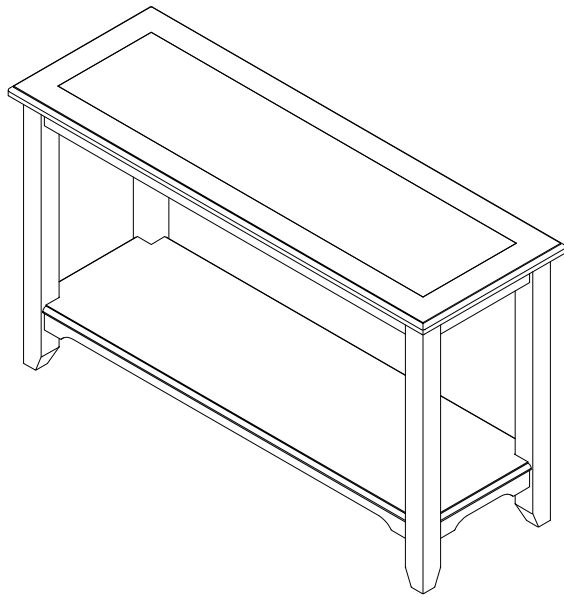


ASSEMBLY INSTRUCTIONS

DESCRIPTION: SOFA TABLE

Thank you for purchasing this quality product. Be sure to check all packing material carefully for small parts which may have come loose inside the carton during shipment. Identify and count all parts and compare with the parts list below:



PARTS LIST

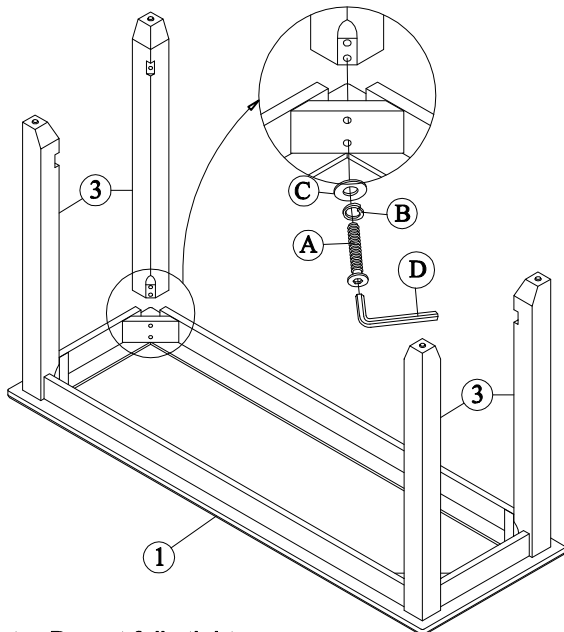
NO.	SKETCH	DESCRIPTION	Q'TY
1		TABLE TOP WITH APRON	1 PC
2		SHELF	1 PC
3		LEGS	4 PCS

4

ASSEMBLY HARDWARE PACK

NO.	SKETCH	HARDWARE	Q'TY
A		5/16" x 60mm BOLT	12 PCS
B		5/16" x 13mm LOCK WASHER	12 PCS
C		5/16" x 16mm FLAT WASHER	12 PCS
D		4mm ALLEN KEY	1 PC

STEP 1:



Note: Do not fully tighten

STEP 2:

Note: Once all Legs are in place, fully tighten bolts by using clockwise using provided Allen Key until secure

