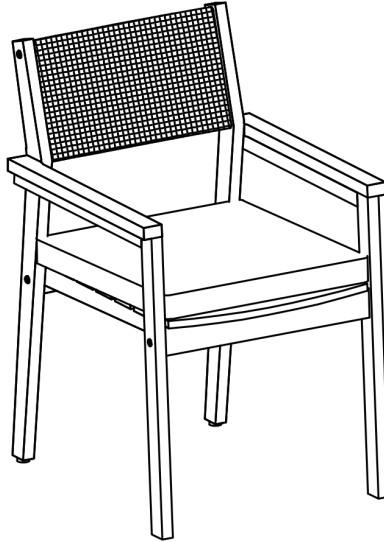


ASSEMBLY INSTRUCTIONS

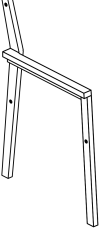
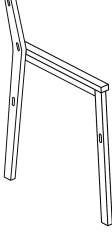
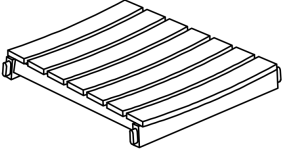
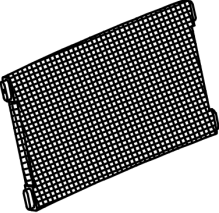
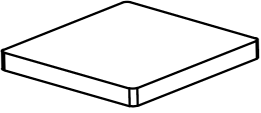




GENERAL ASSEMBLY INFORMATION GUIDE

Please read the following instructions prior to assembling this product:

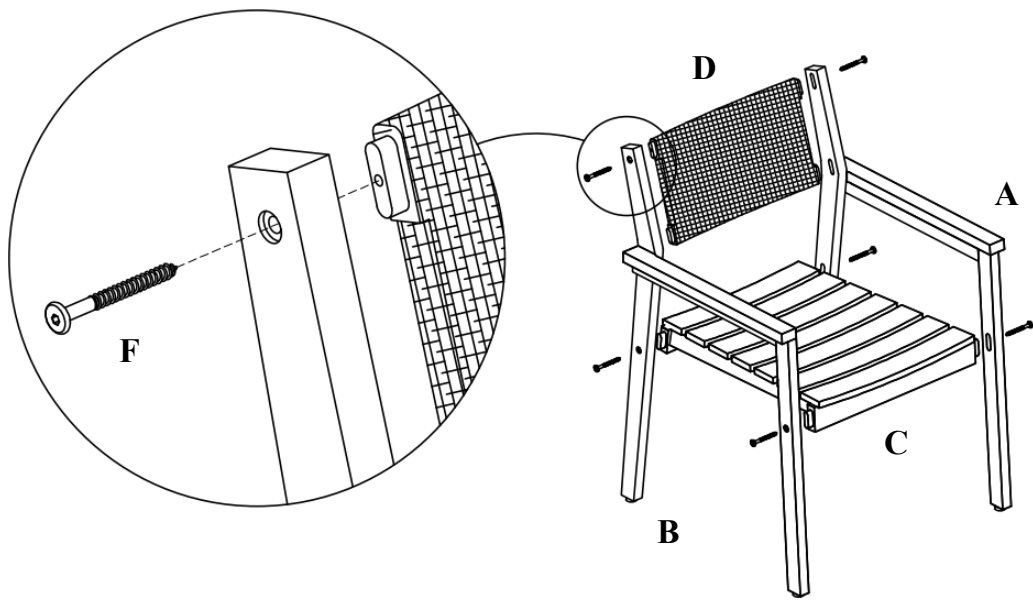
1. To avoid damage, assemble this product on a non-abrasive surface such as carpet.
2. Make sure all bolts are tightly fastened before use.
3. For home use or light commercial use only.
4. Please make sure you have all parts before assembly.

PARTS LIST

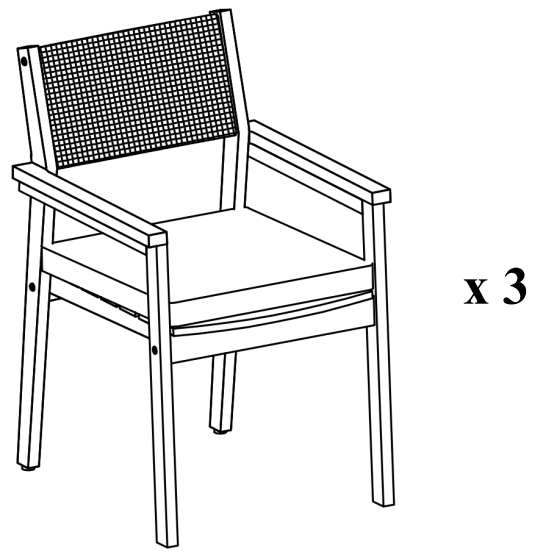
A	Left Arm	B	Right Arm	C	Seat
					
QTY 3 pcs		QTY 3 pcs		QTY 3 pcs	
D	Backrest	E	Cushion		
					
QTY 3 pcs		QTY 3 pcs			

F	Screw M7x70	G	Allen wrench
			
QTY 18 pcs		QTY 3 pcs	

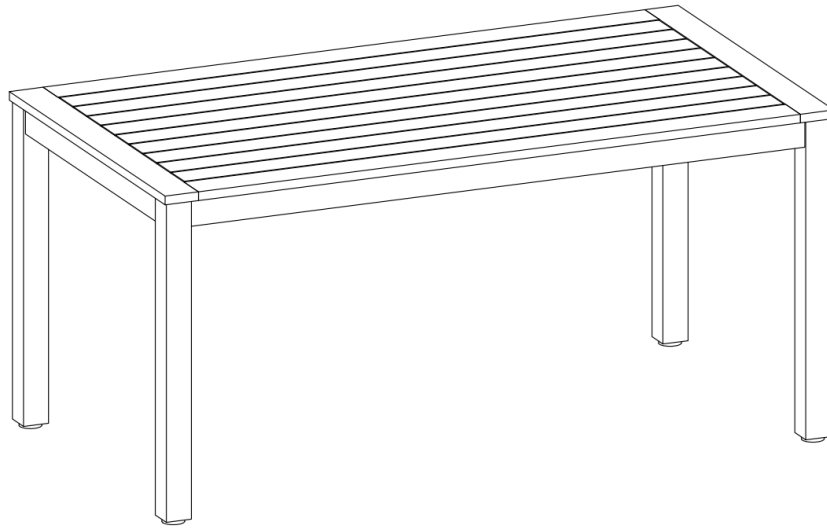
- ① Assemble the Armrest (A, B), seat (C), and backrest (D) with tenon joints
- ② Fix with screws (F)



- ③ Place the Cushion (E) on and tie the rope to secure the cushion



ASSEMBLY INSTRUCTIONS

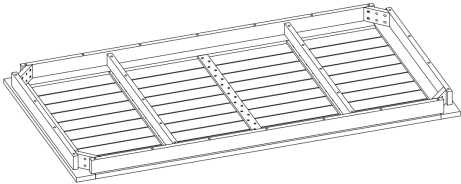



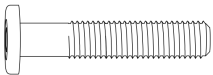


GENERAL ASSEMBLY INFORMATION GUIDE

Please read the following instructions prior to assembling this product:

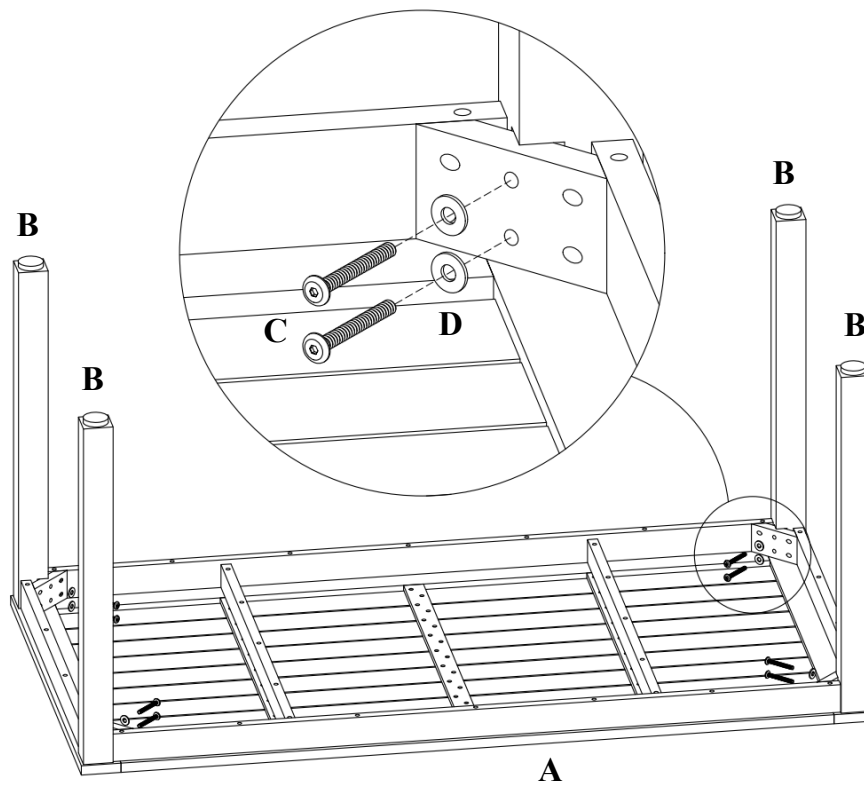
1. To avoid damage, assemble this product on a non-abrasive surface such as carpet.
2. Make sure all bolts are tightly fastened before use.
3. For home use or light commercial use only.
4. Please make sure you have all parts before assembly.

PARTS LIST

A Table Top	B Legs
	
QTY 1 pc	QTY 4 pcs

C Bolt M8x60	D Washer M8	E Allen wrench
		
QTY 8 pcs	QTY 8 pcs	QTY 1 pc

- ① Turn upside down the table top (A) onto a flat surface
- ② Use an Allen Key (E) to tighten the bolt (C) and the washer (D) to fix the table leg (B) as shown in the picture



- ③ Turn the table over.

