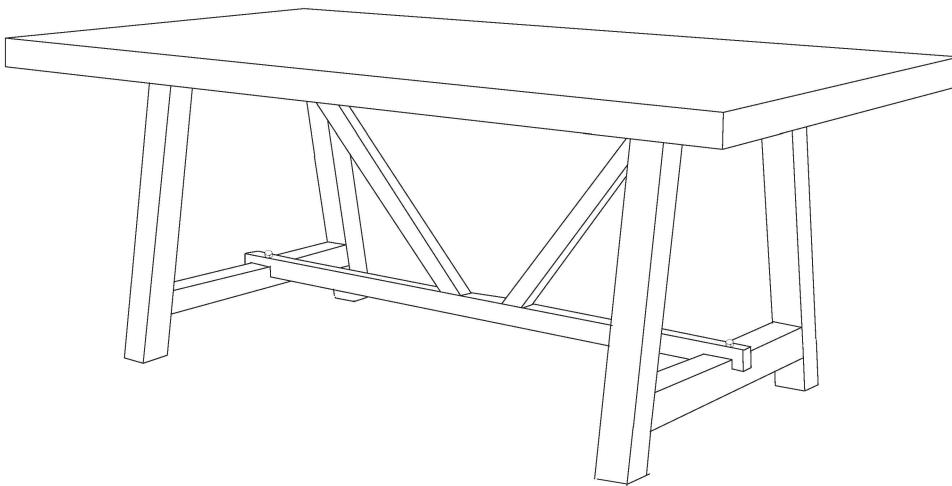


Installation & Assembly



TOOLS REQUIRED

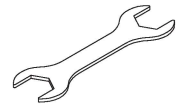
Screwdriver
(Not Included)



Allen Wrench
(Included)



Mallet
(Not Included)

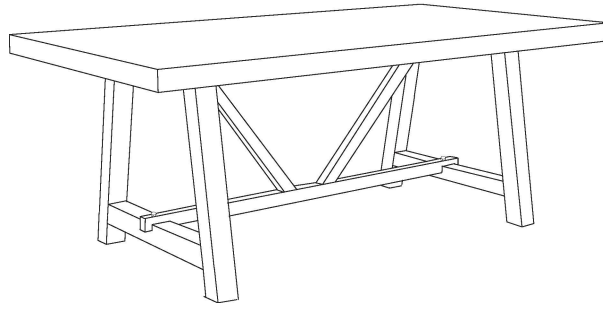


Household Wrench
(Not Included)



This item requires
two adult to assemble it

Enjoy this product? We'd love your 5-star review!
If you have any issues, our support team is happy to help.



CHECK BEFORE STARTING

Are you missing anything?

Please double check all hardware and parts match the assembly guide before putting the product together. If damaged, we suggest you put the item back in the box and start your claim or return.

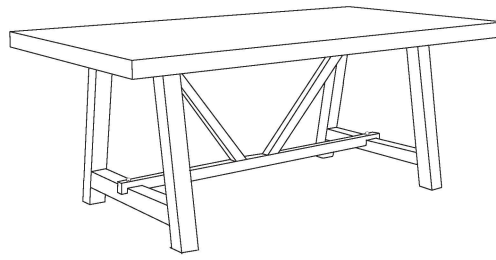
Should we send any replacements?

If there are any manufacturer defects or missing pieces, please contact us for replacements. If purchased online, please contact the website of where you purchase it from, DIRECTLY.

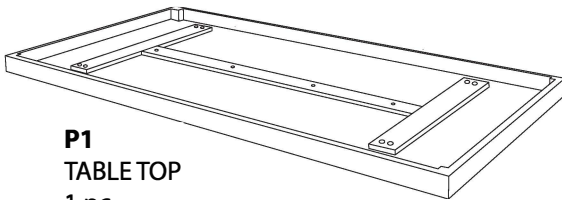
IMPORTANT INFO before assembly:

- If there's a problem with the parts do not attempt to assemble the product.
- Place all parts on a clean and smooth surface such as a rug / carpet to avoid parts from being scratched.
- When tightening screws to product do not overtighten until product is fully setup.
- If product is too heavy for a single person to carry do not attempt and ask for assistance.
- DO NOT DRAG or PUSH item to desired location. Must be carried when moving.
- If item is not working as intended, please review the assembly guide to see if any steps were missed or incorrectly built. If there's a problem with part, please contact seller for additional assistance.
- Please keep all hardware and small parts away from pets / infants.
- Please wear gloves or protective gear to protect from getting cuts.
- It is normal for new furniture to have an off gassing smell. Please air out furniture near a window for a few hours or a day before placing it in its desired location.
- All products may have a slight color and texture variation due to different shipments, natural materials, screen resolutions, or lighting in home. Images are rendered by different devices or websites.

- Please keep instructions for future reference.
- Check the quantity and irregularity of parts and hardware before you start.
- If assembly guide is misplaced, please visit our website for copy

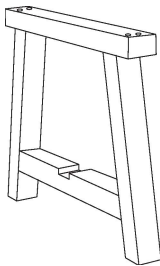


Part List

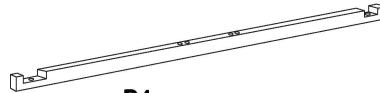


P1
TABLE TOP
1 pc

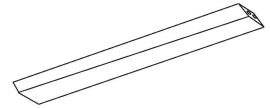
P3
TOP BAR
1 pc



P2
TRESTLE LEG
2 pcs



P4
LEG STRETCHER
1 pc



P5
DIAGONAL STRETCHER
2 pcs

Hardware List



H1
JCBC Bolt
M6 x 35mm
12 pcs



H2
JCBC Bolt
M6 x 60mm
8 pcs



H3
Spring Washer
M6 x 12mm
12 pcs



H4
Flat Washer
M7x 19mm
12 pcs



H5
Bolt & Nut
1/2" Ø x 4"
2 pcs



H6
Screw
M4 x 32mm
2 pcs



H7
Allen Wrench
1 pc

If any parts/hardware listed are damaged or missing,
Please contact the seller for additional assistance

IMPORTANT!

Please keep Allen wrench in a safe place as you may need to tighten up the Bolts in future.

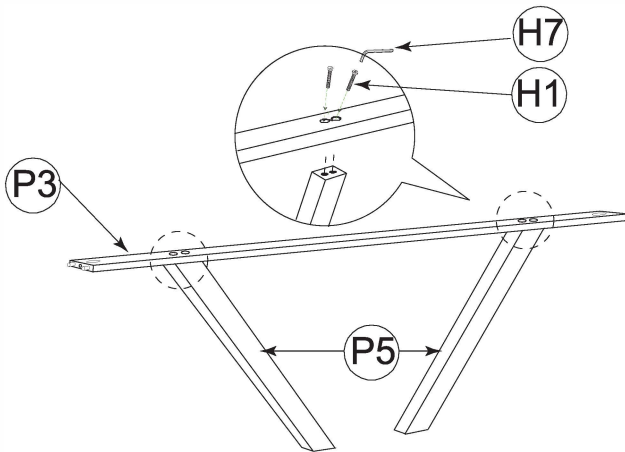
Use a soft cloth between these parts and the floor.
After assembly, item must be level to work properly.

ASSEMBLY STEPS

STEP 1

H1 x 4
M6 x 35mm

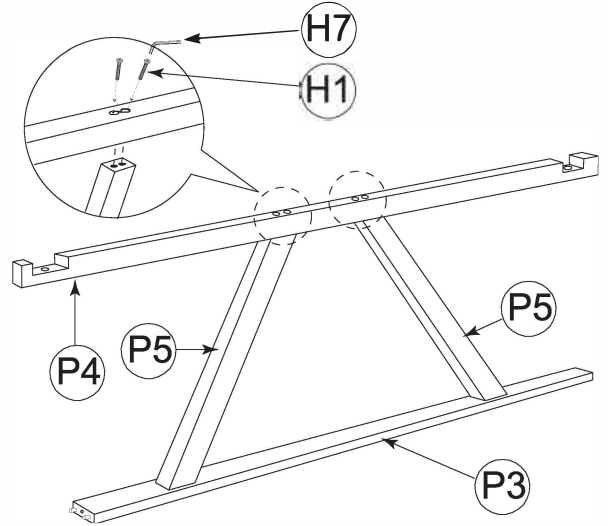
Assemble both diagonal Stretcher (P5) into the Top barr (P3) by aligning Bolts (H1). Use Allen Key (H7) to tighten the bolts .



STEP 2

H1 x 4
M6 x 35mm

Assemble both Diagonal Stretchers (P5) into the Leg Stretcher (P4) by aligning Bolts (H1). Use Allen Key (H7) to tighten the bolts

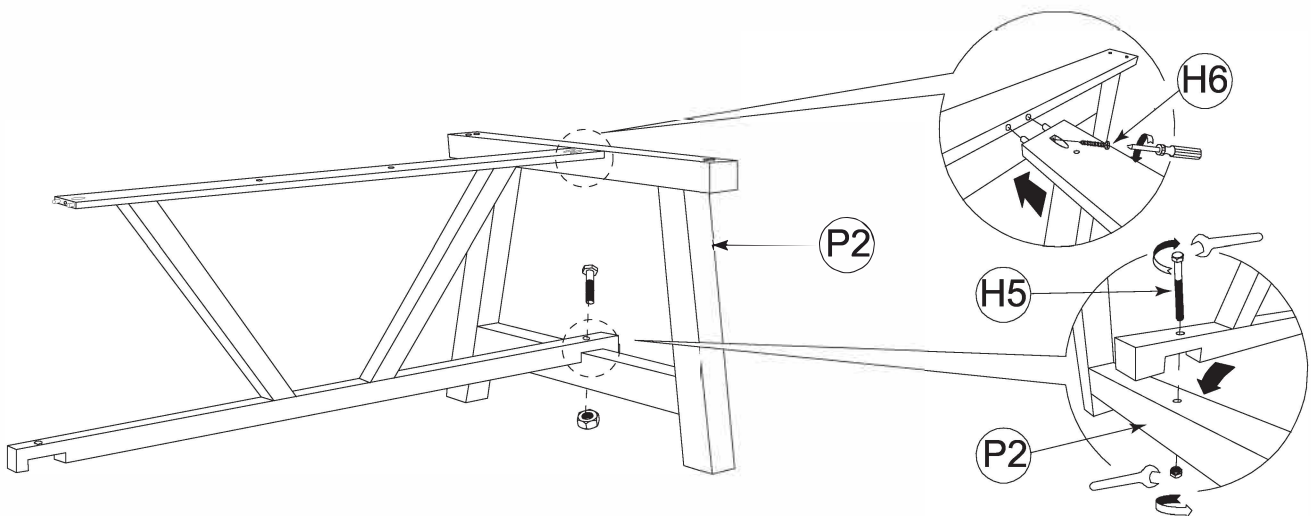


STEP 3

H6 x 1
M4 x 32mm

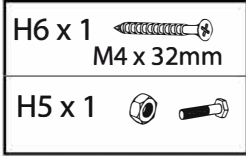
H5 x 1

Attach the Stretcher Frame (consist of P3, P4 & P5) into one Trestle Leg Frame (P2), align Screw (H6) through holes in (P3) . Tighten it using an household screwdriver. Then, align Bolt (H5) through a hole in (P4) into a hole in the Trestle Leg frame (P2) right to the Nut. Tighten it using a household Wrench.

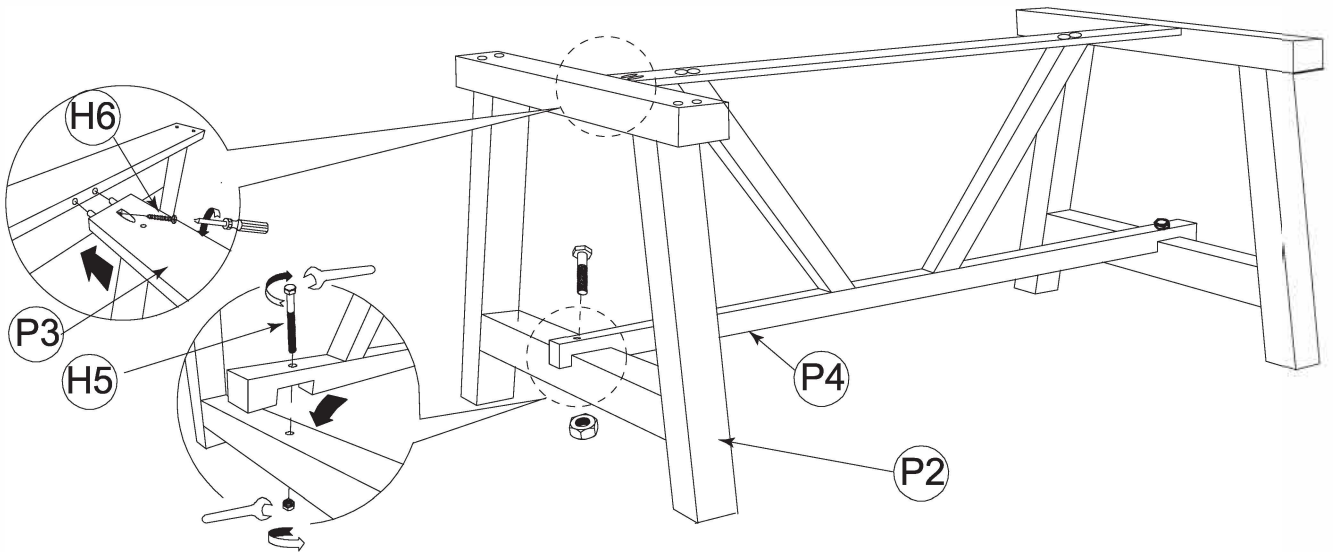


ASSEMBLY STEPS

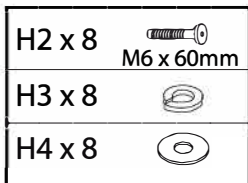
STEP 4



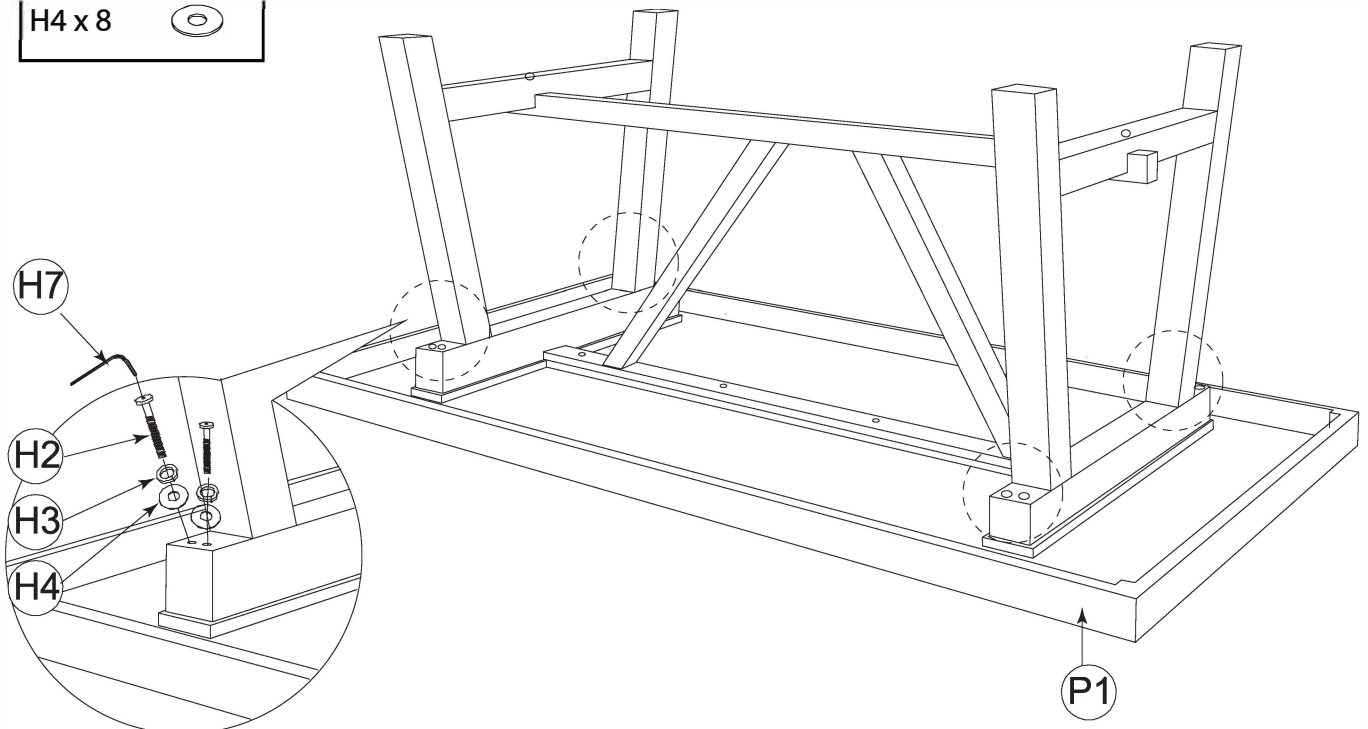
Attach the Stretcher Frame (consist of P3, P4 & P5) into another side of Trestle Leg Frame (P2). Repeat the same assembly processes by align Screw (H6) through holes in (P3). Tighten it using an household screwdriver. Then, align Bolt (H5) through a hole in (P4) into a hole in the Trestle Leg frame (P2) right to the Nut. Tighten it using a household Wrench.



STEP 5






Prepare the Table top (P1) by placing it upside down onto the soft, clean, flat surfaces (cardboard, blanket or carpet), to protect it from scratches. Turn the assemble leg upside down, then attach it onto the table top. Align Bolts (H2) together with Spring washer (H3) & Flat washer (H4) through the desired holes in the leg frame right into the holes in the Table top. Tighten the bolts using the Allen key (H7).

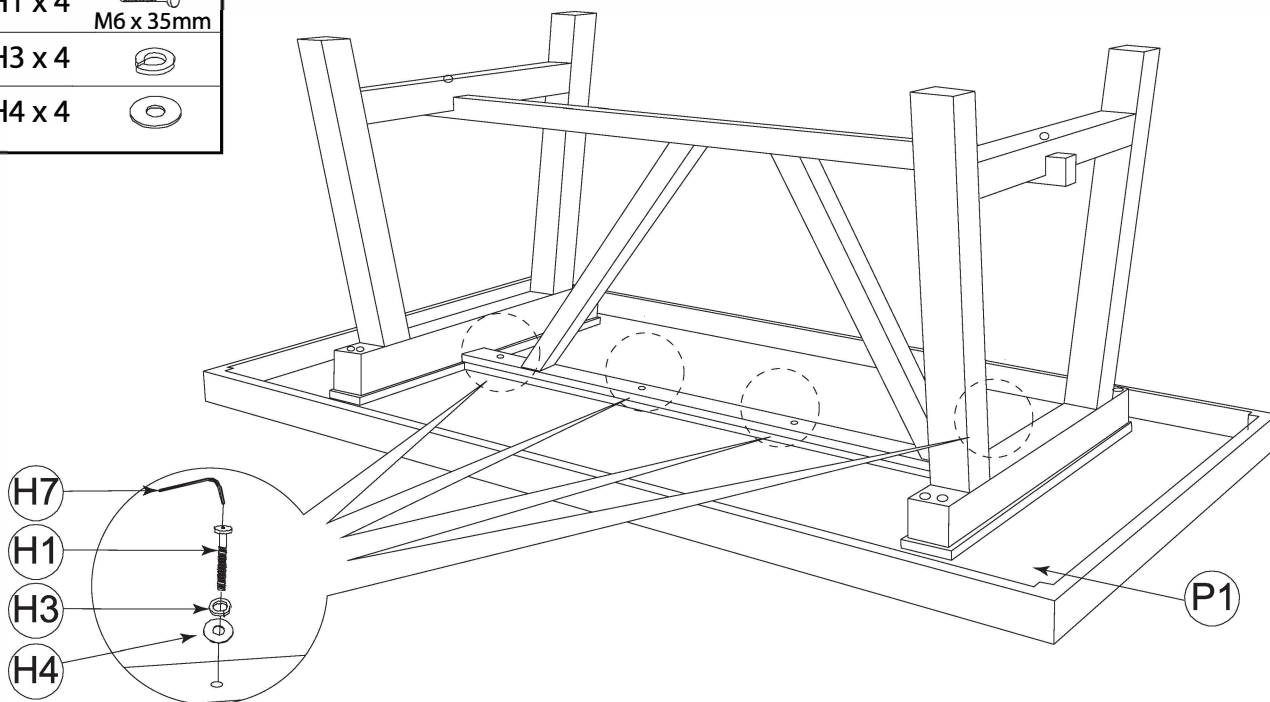


ASSEMBLY STEPS

STEP 6

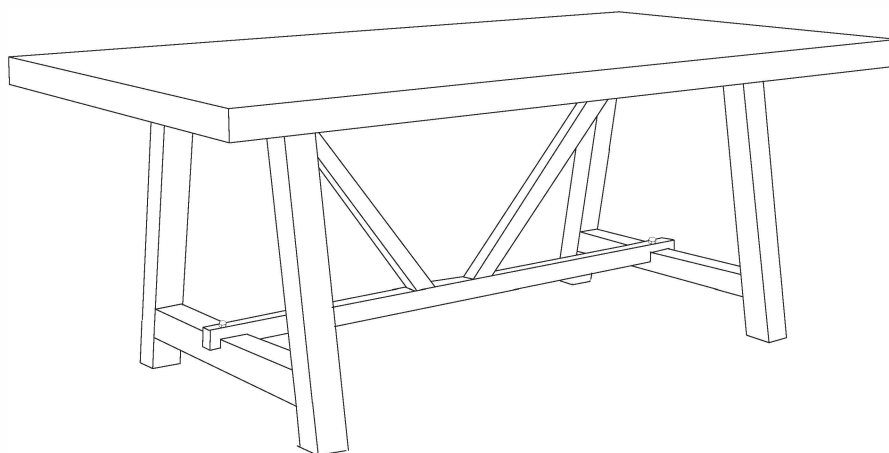
Then align Bolt (H1) fitted with Spring washer (H3) & Flat washer (H4) into holes in the top bar and tighten it using the Allen key (H7).

H1 x 4	
M6 x 35mm	
H3 x 4	
H4 x 4	



ASSEMBLY COMPLETED

-  Please ensure the furniture rests on an even and flat surface. If the product wobbles or feels loose, double-check all bolts and/or screws are properly tightened and secured.
-  **Keep this handy!** Please retain this instruction manual and any order-related information for future reference.
-  **Lift, don't drag!** To avoid damage to product, please always LIFT the product when transporting or adjusting the placement.



This product is intended for RESIDENTIAL USE ONLY and not for commercial use.