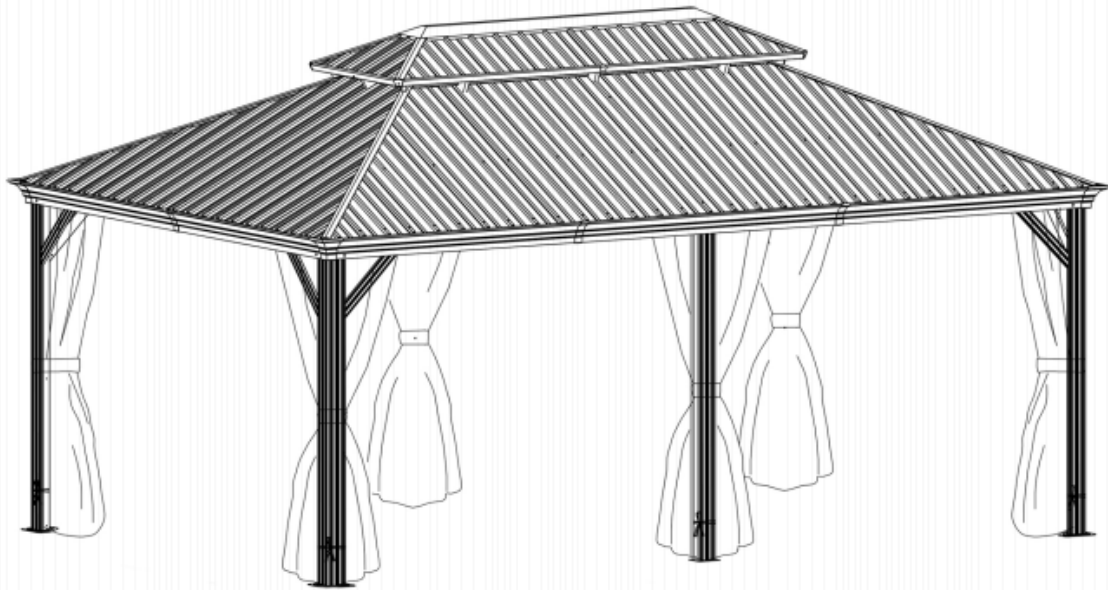


12'×18' HARDTOP GAZEBO
WITH DOUBLE ROOF

ASSEMBLY MANUAL



READ ALL INSTRUCTIONS BEFORE USE

Warning & Attention

-This gazebo is not a toy. Children are not allowed to assemble or disassemble. Please take care of children, do not let them play around when assemble or disassemble.

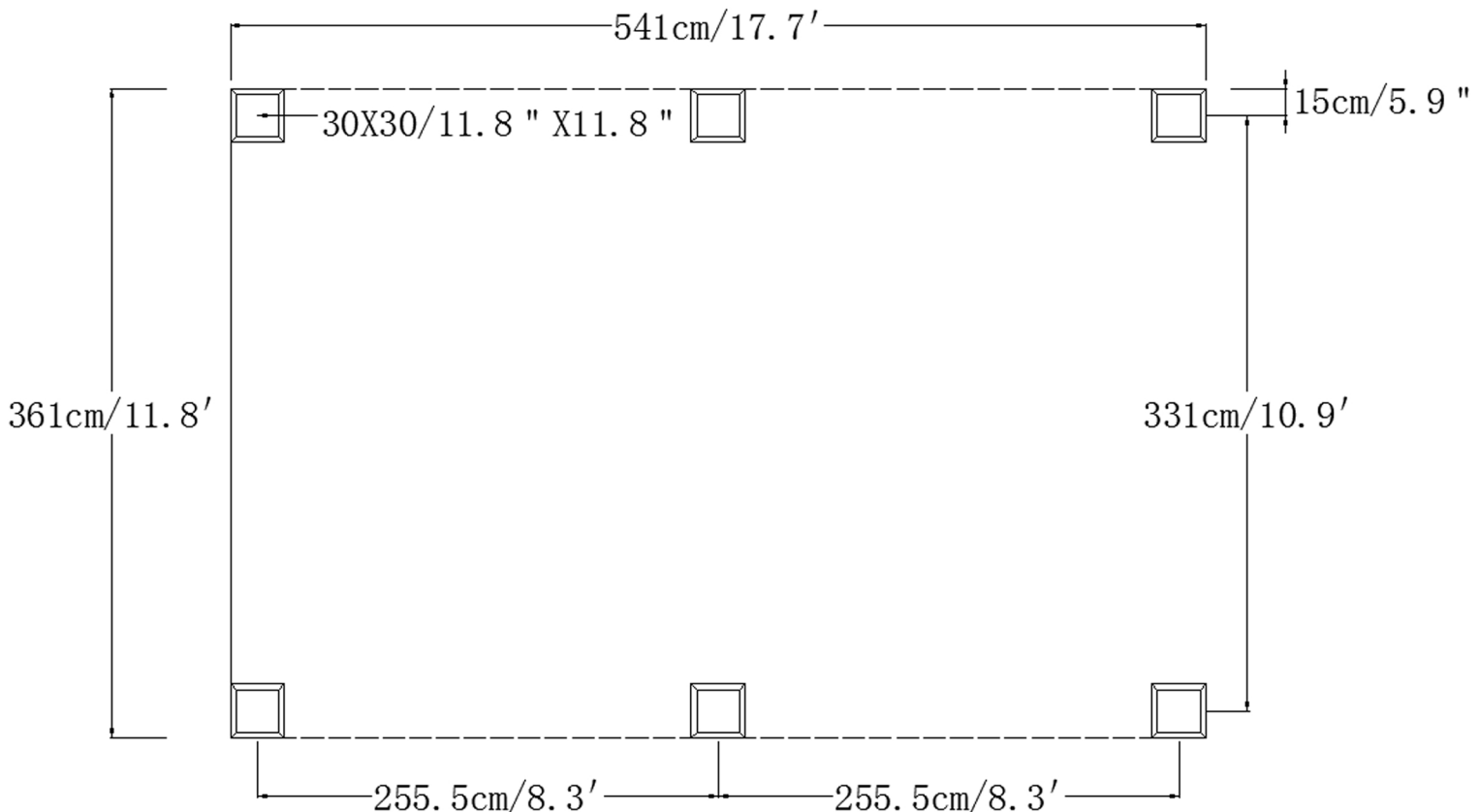
-Adults only for assemble or disassemble this product.



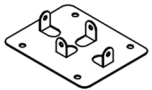







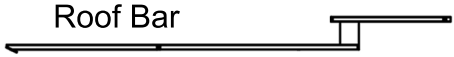



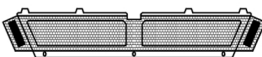

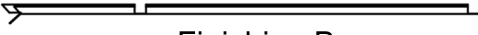












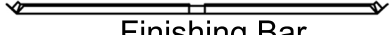

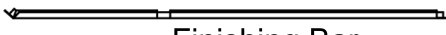
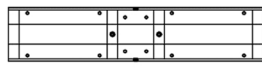
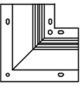





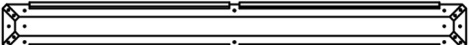

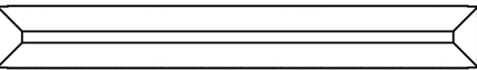

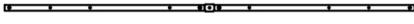
-This product is constructed with heavy duty frame, please do not lean or climb before it finish assembling.

-Even though our hardtop gazebo is sturdy, please do not stand under the gazebo during a lightning storm.

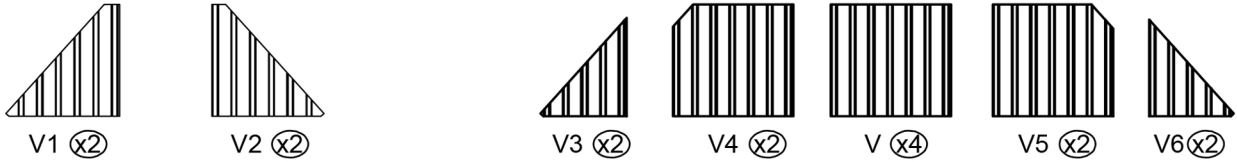
-DO NOT use this gazebo if any parts show signs of instability or damage.

12'x18' ANCHOR BLUEPRINT

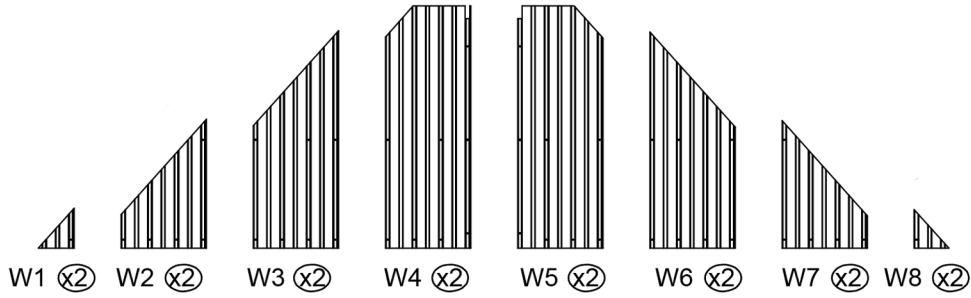


	Pole	A (x4)		Base L (x4)		Base L1 (x2)	
	Pole	B (x2)					M (x4)
	Beam	C (x4)					N (x2)
	Sidewall Track	C1 (x4)					N1 (x4)
	Jointer Bar	C2 (x2)					N2 (x2)
	Jointer Bar	C3 (x2)					P (x2)
	Beam	D (x4)					Net Frame P1 (x2)
	Sidewall Track	D1 (x4)					Q1 (x2)
	Jointer Bar	D2 (x2)					Q2 (x2)
	Jointer Bar	D3 (x2)					Q3 (x2)
	Beam	E (x2)					Q4 (x2)
	Sidewall Track E1a (x2)	E1a (x2)		Finishing End R (x8)		Finishing End R1 (x2)	
	Sidewall Track E1b (x2)	E1b (x2)					Spacer S (x148)
	Jointer Bar E2a (x2)	E2a (x2)					T (x2)
	Jointer Bar E2b (x2)	E2b (x2)					T1 (x2)
	Union Bar F (x6)	F (x6)		Corner Cover G (x4)			
	Joint Cover H (x6)	H (x6)		Joint Cover H1 (x6)		Joint Cover H2 (x1)	
	Corner Solidifying Bar J1 (x4)	J1 (x4)					J2 (x4)
							Solidifying Bar U5 (x4)
							Solidifying Bar U6 (x6)
							Solidifying Bar U7 (x2)

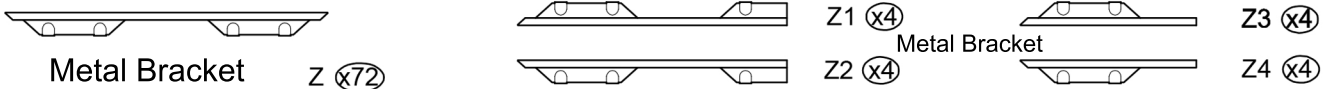
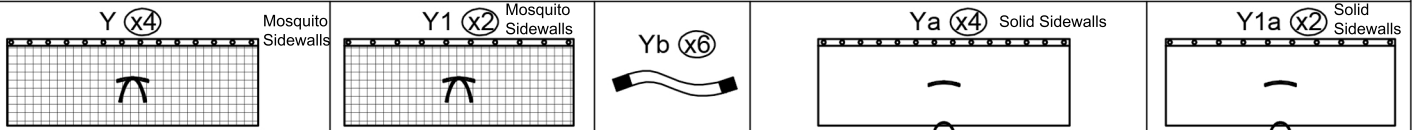
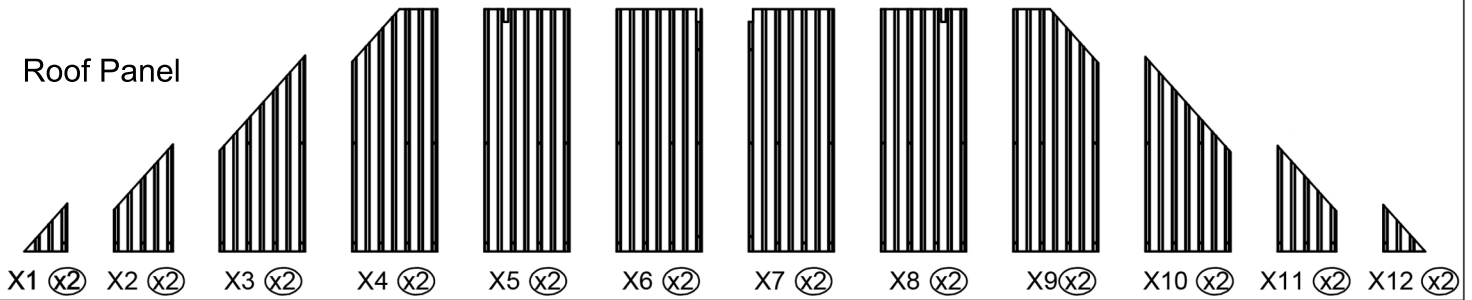
Roof Panel

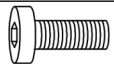
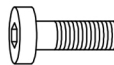




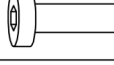
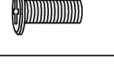


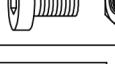


Roof Panel



Roof Panel



	M6x16	Screws	1# x287+3
	M6x20	Screws	2# x28+2
		Screws	3# x16+2
		Hook	4# x144
	M6x28	Screws	5# x92+3
	M6x45	Screws	6# x8+1
	M6x50	Screws	7# x44+2
	M5x16	Screws	8# x6+1
	ST4.8x13	Screws	9# x28+2
	M6x25	Screws	10# x4+1
	M6x10	Screws	11# x16+1



Step 1:
Connect Part A and Part L using
#1 screws.

A (x4)

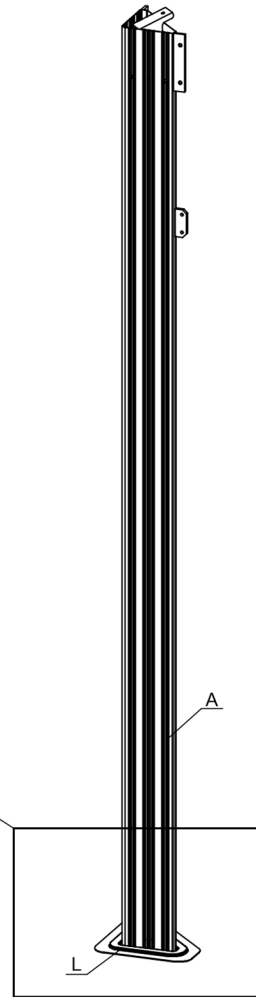
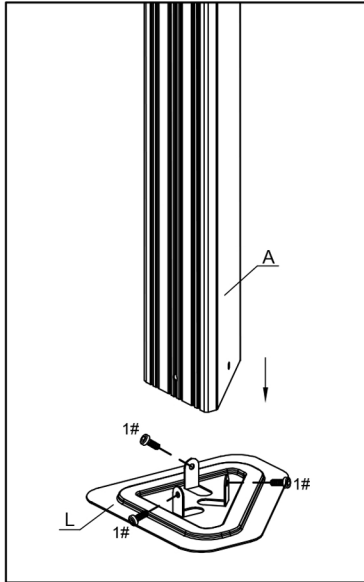
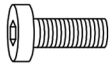


L (x4)



1#
x12

M6x16

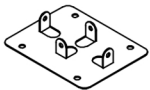


Connect Part B and Part L using #1
screws.

B (x2)

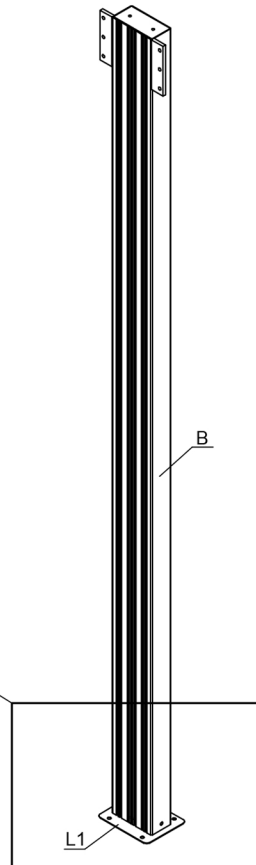
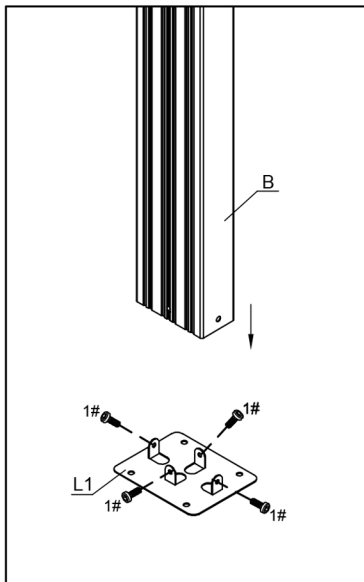
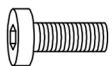


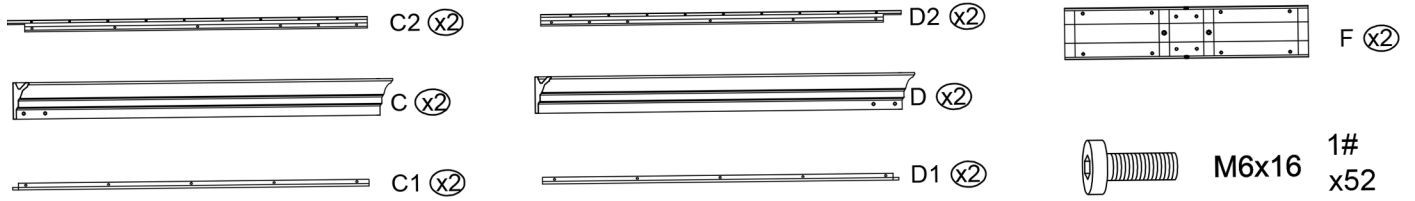
L1 (x2)



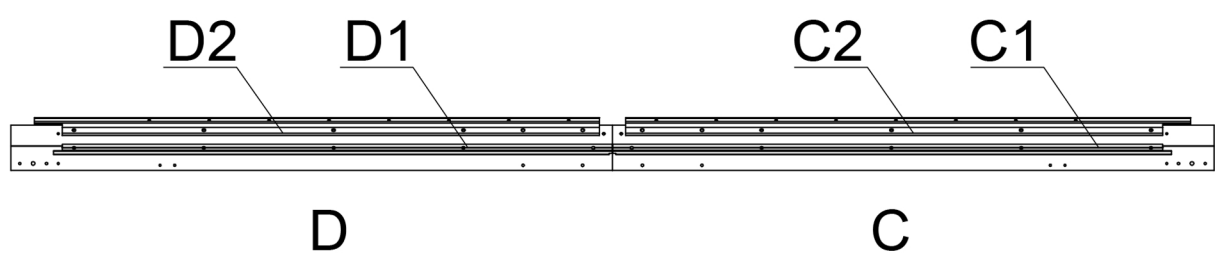
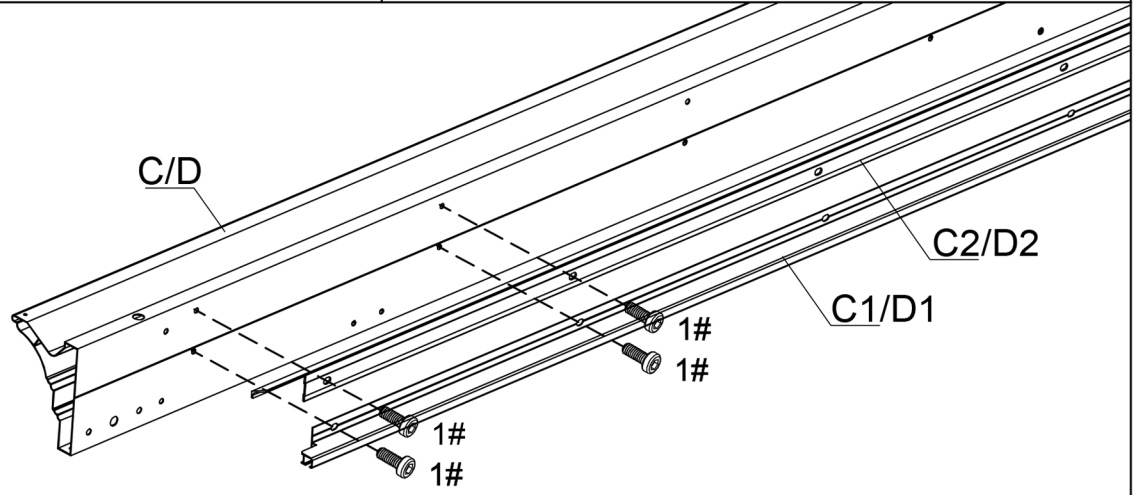
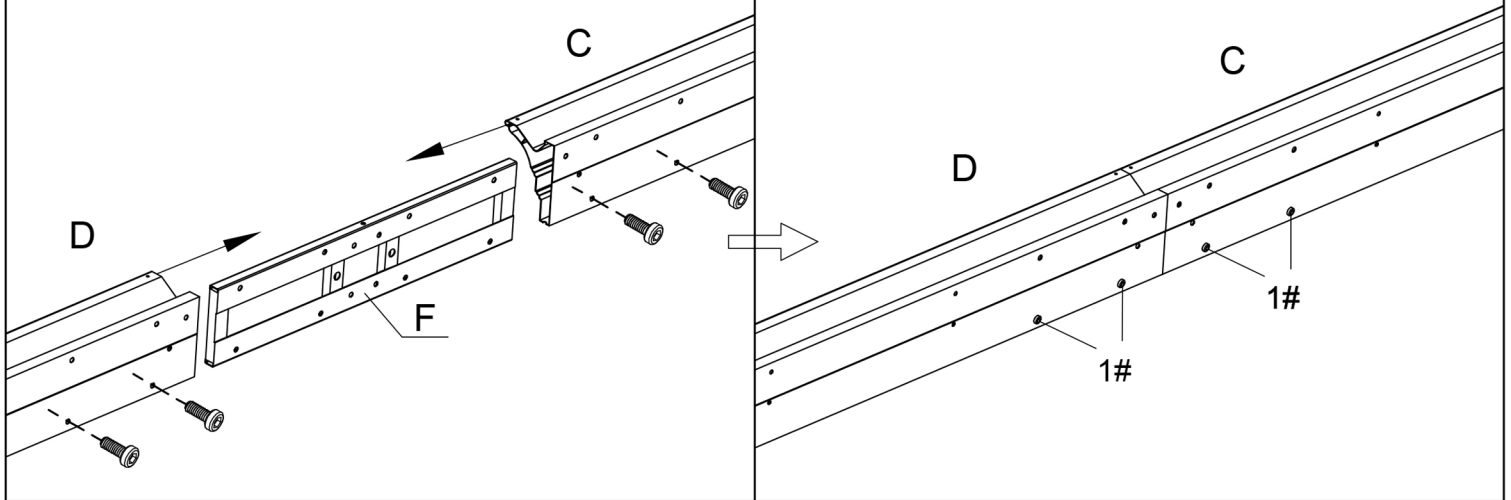
1#
x8

M6x16

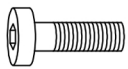




Step 2: Connect Part C(Beam) and Part D(Beam) with Part F(Union Bar) using Screws 1#.

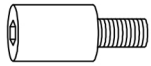


Assemble Part C1 and D1(Sidewall Track), Part C2 and D2(Jointer Bar) to the beam(C/D) using screws 1# as shown in the diagram.

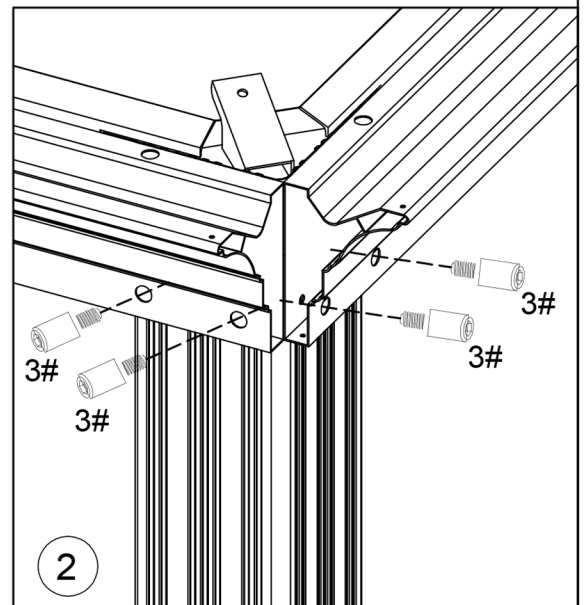
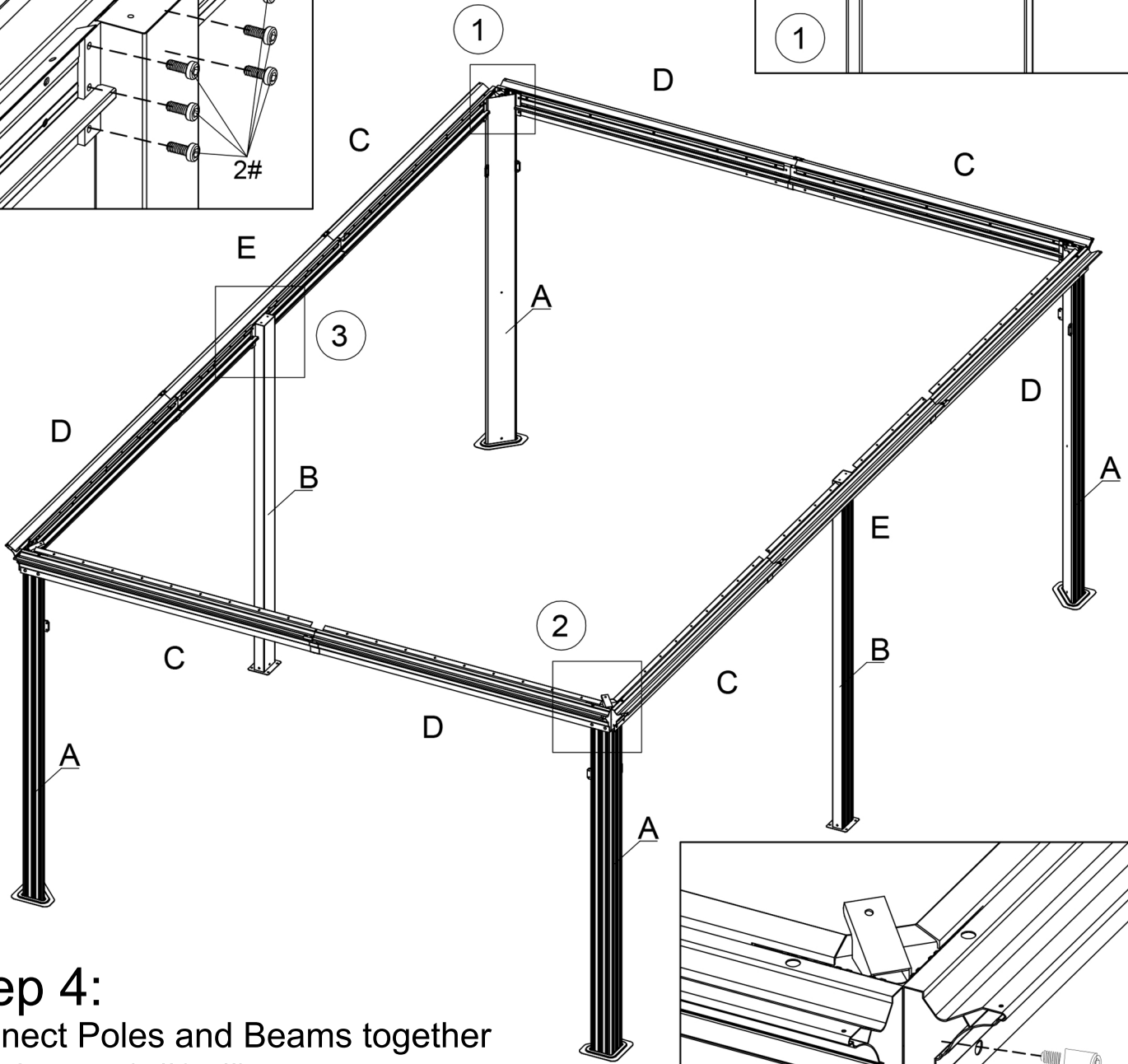
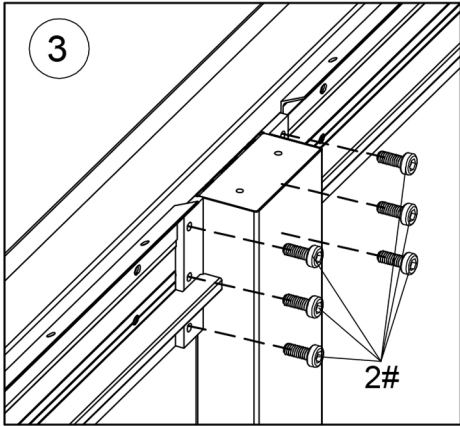
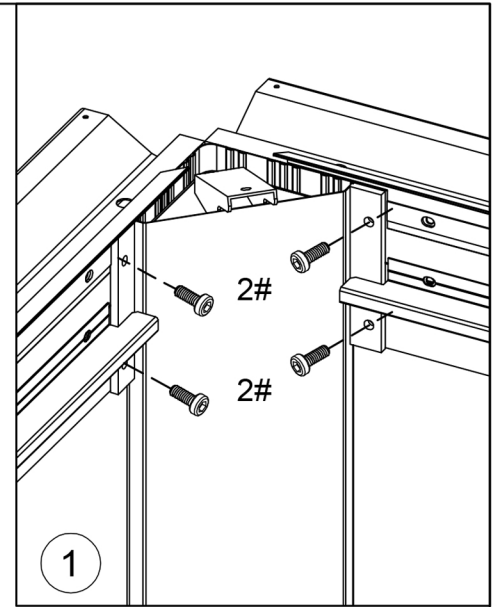


M6x20

2#
x28



3#
x16



Step 4:

Connect Poles and Beams together with Screws(2#&3#).

Screws #2 for Marked ① and ③.

Screws #3 for Marked ②.

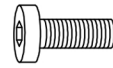
Replicate six times.



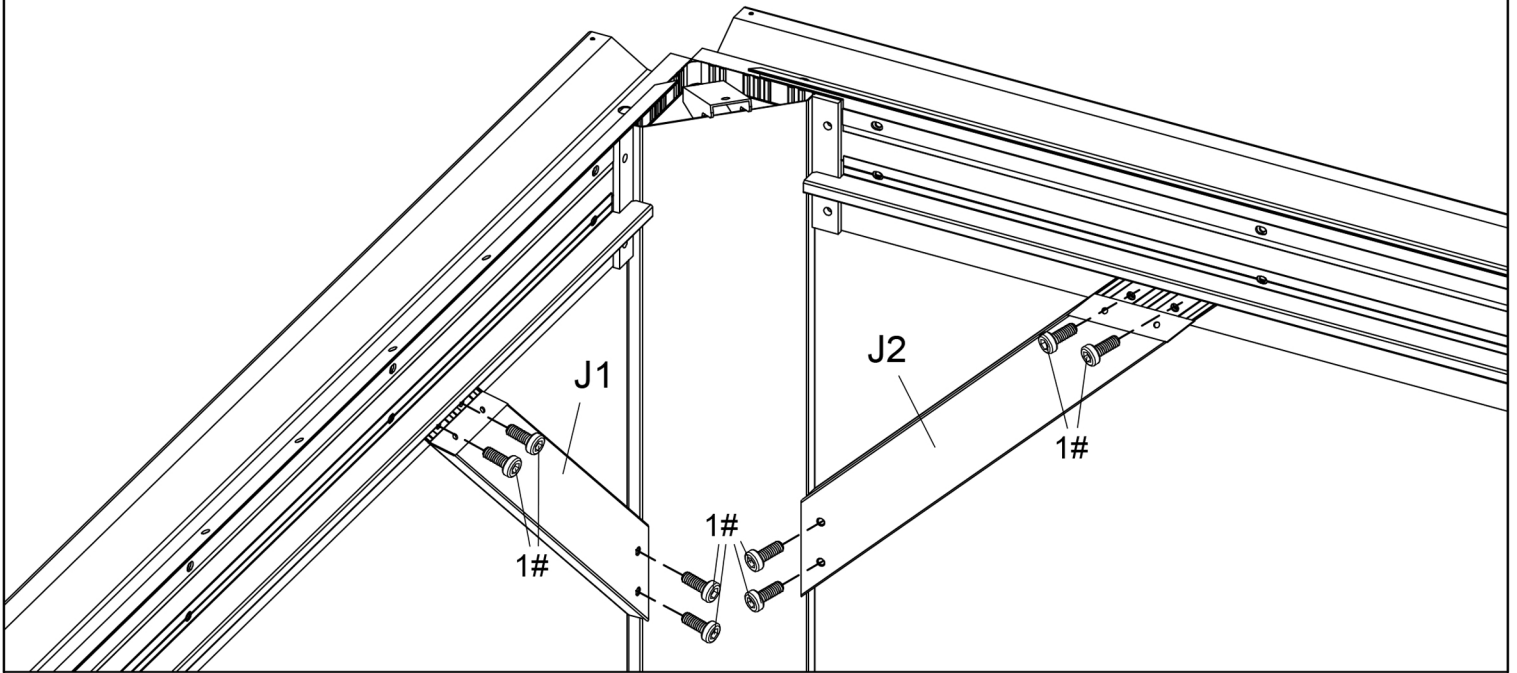
J1 (x4)



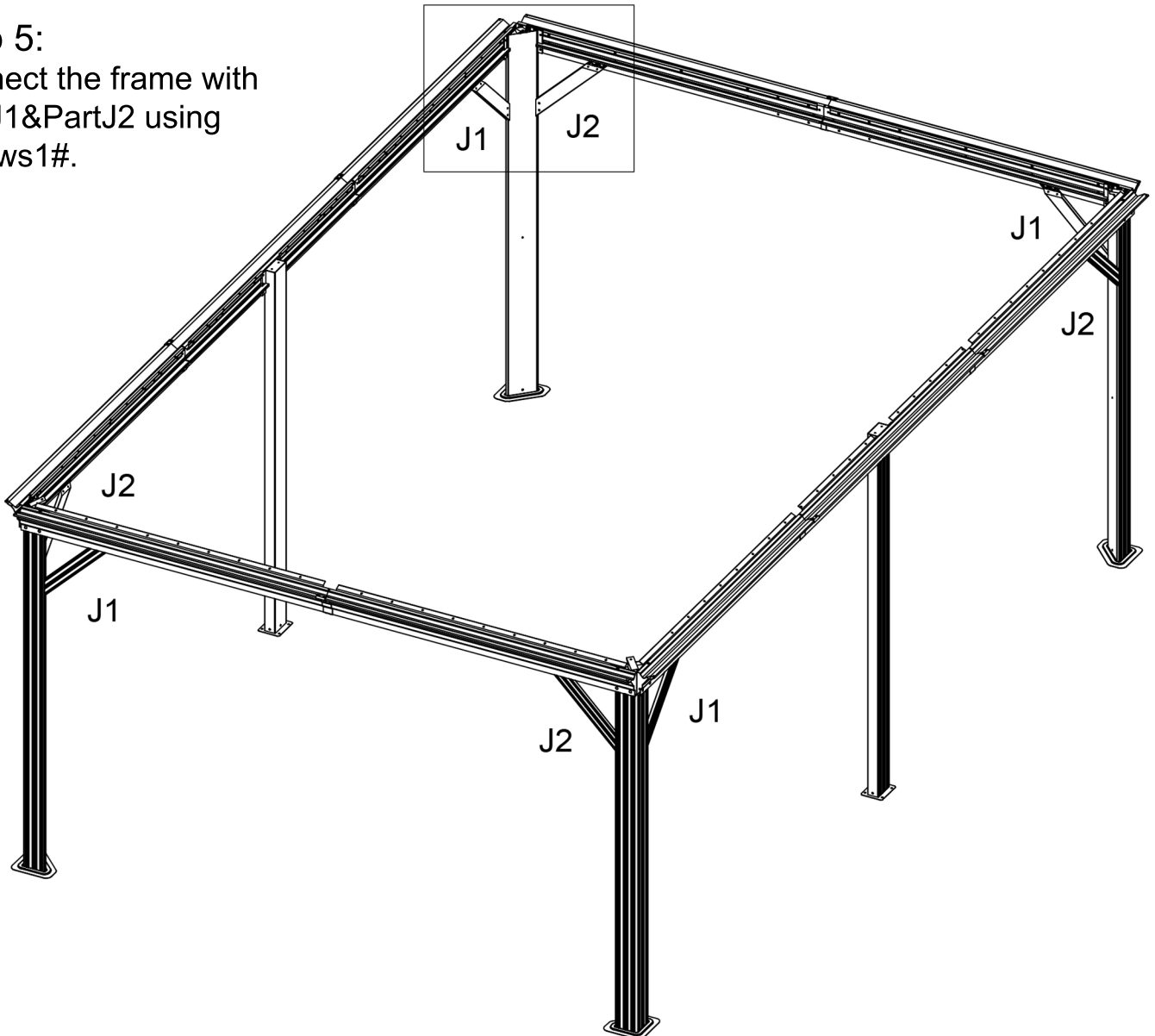
J2 (x4)



M6x16 1#
x32



Step 5:
Connect the frame with
Part J1 & Part J2 using
Screws 1#.





G (x4)



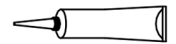
H (x6)



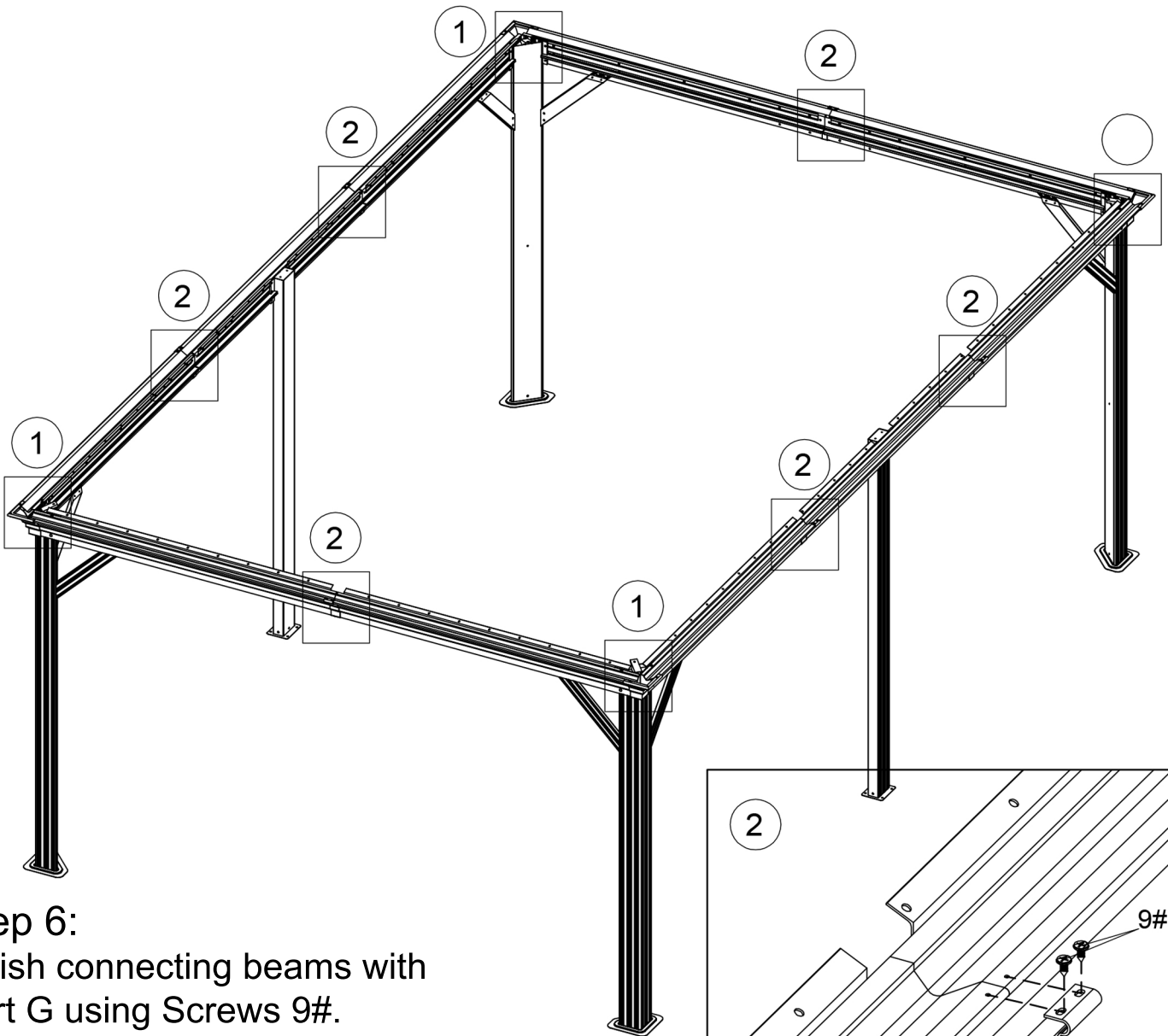
M5x16
8#
x6



ST4.8x13
9#
x28



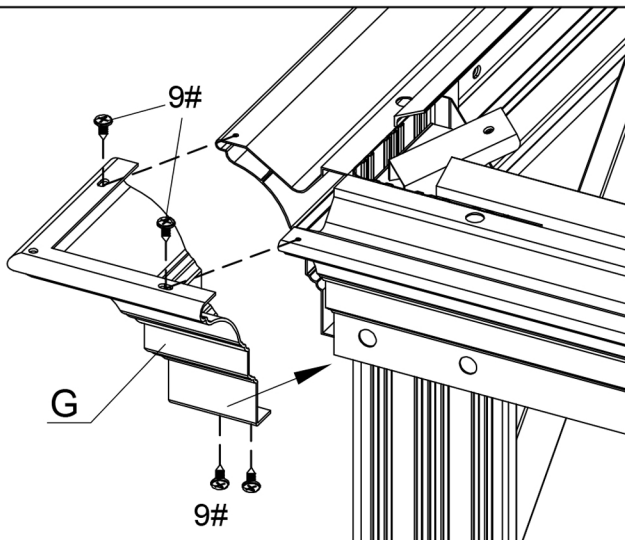
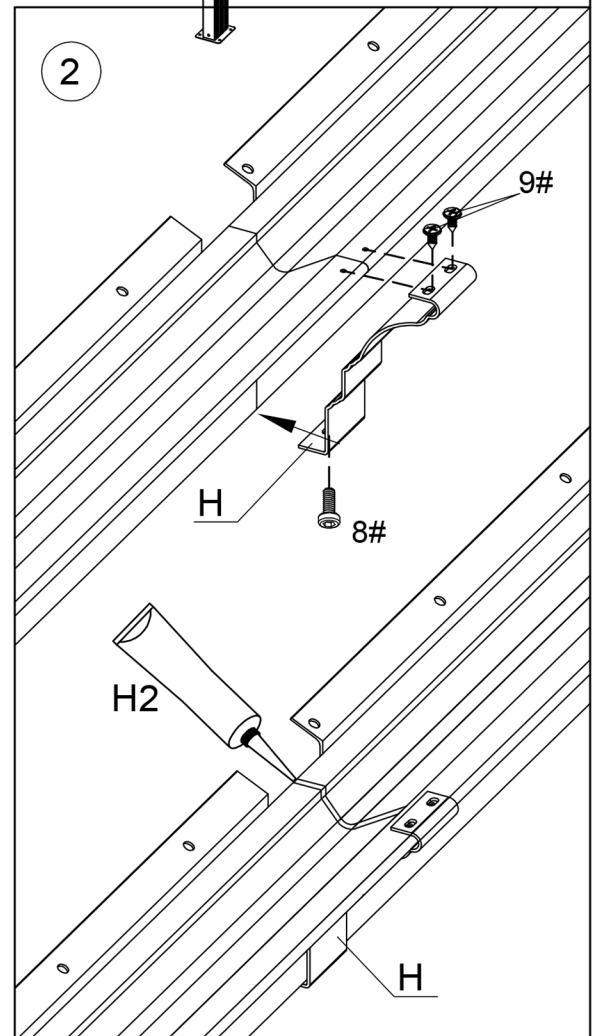
H2 (x1)



Step 6:

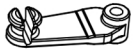
Finish connecting beams with Part G using Screws 9#.

Affix middle beams using Part H with Screws 9# and Screws 8#.

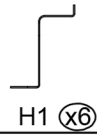


1

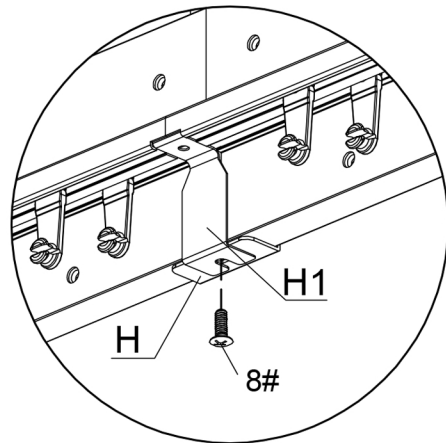
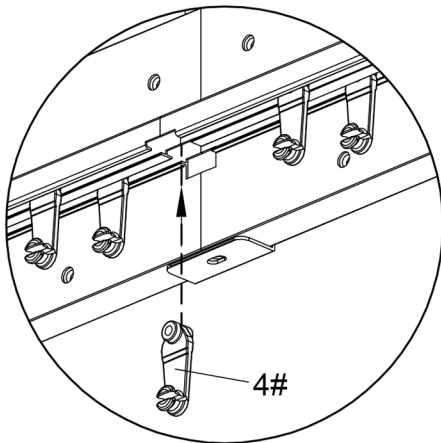
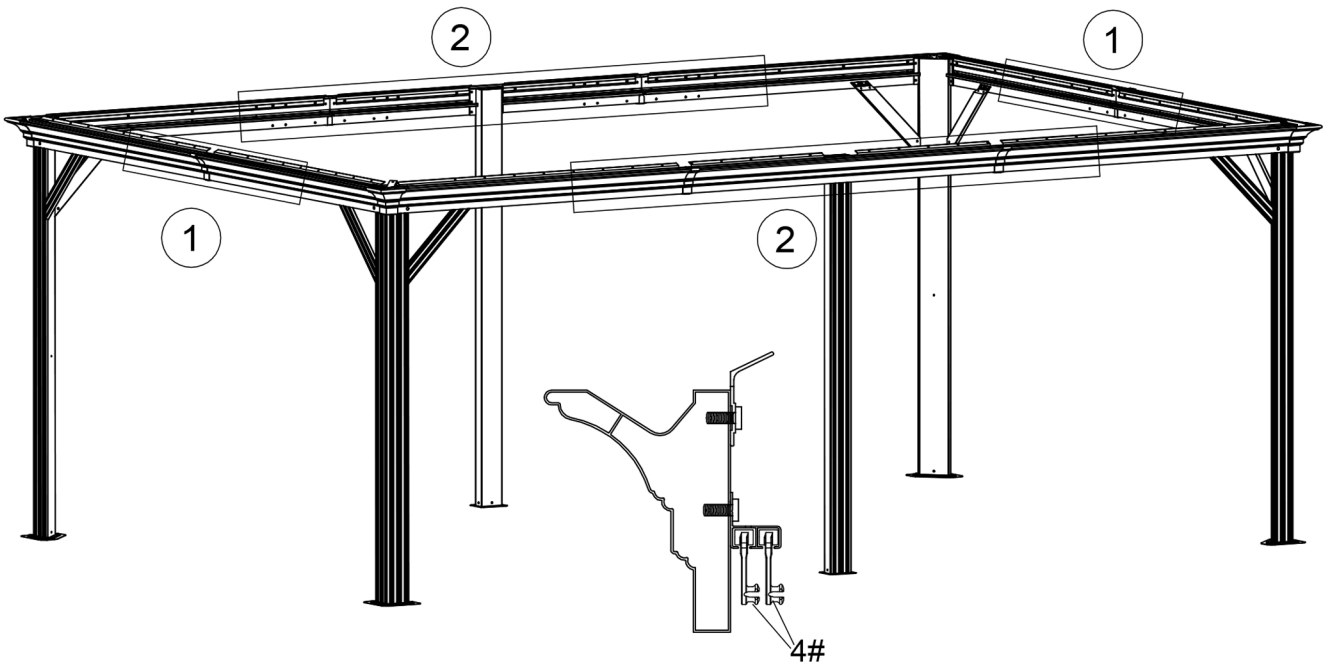
9#



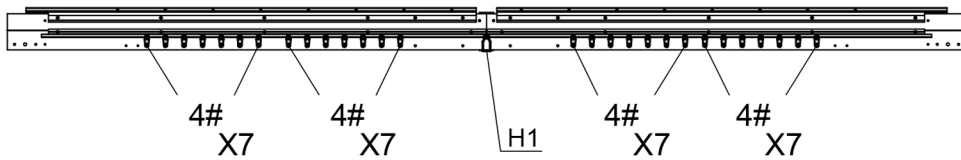
4#
x144



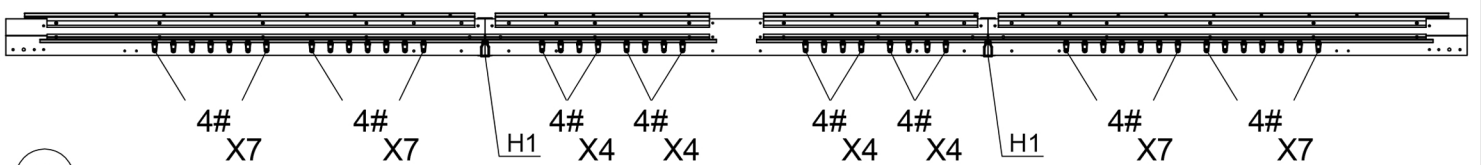
H1 (x6)



Step 7: Put Hooks on Sidewall Track as shown in the diagram.



1



2

After completing the hook track, lock them with H1 using screws 8#.