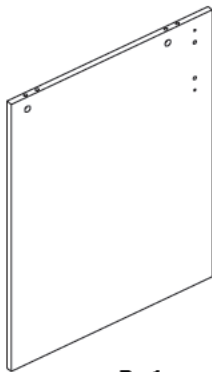
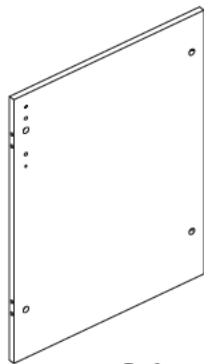




Ax1



Bx1



Cx1



Dx1



Ex1



Fx1



Gx2



Hx22



Ix22

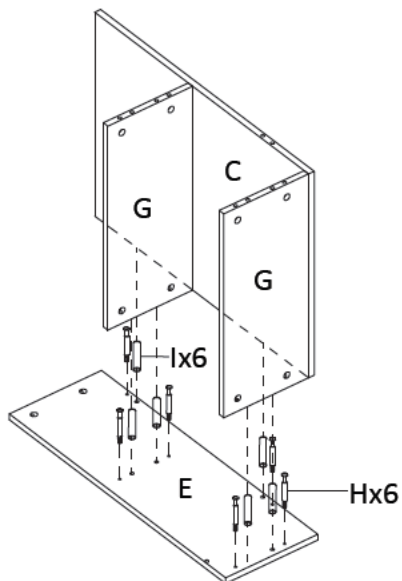


Jx22



x2

①



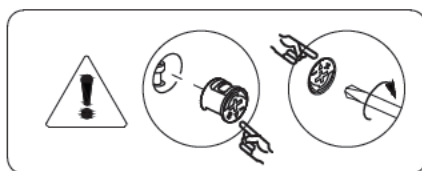
Ix6



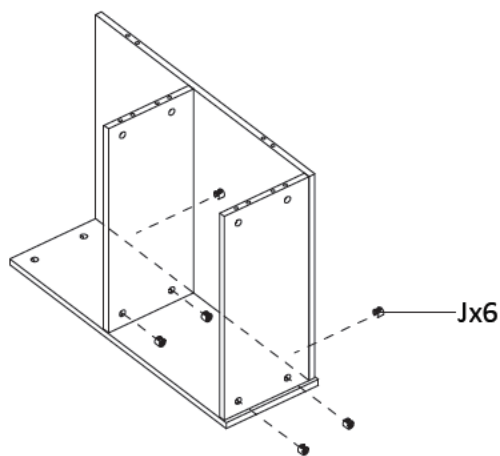
Hx6



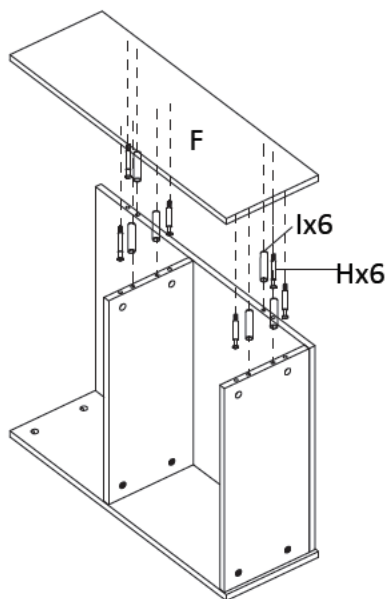
②



Jx6



3



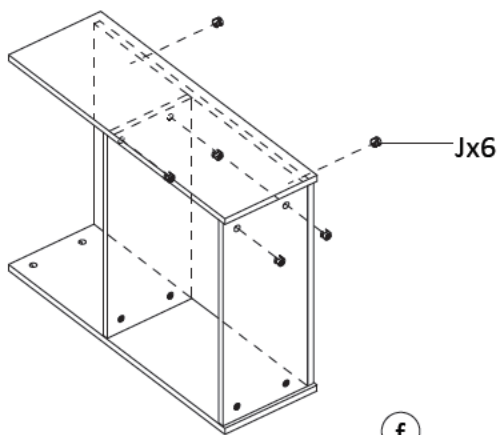
Ix6



Hx6



4

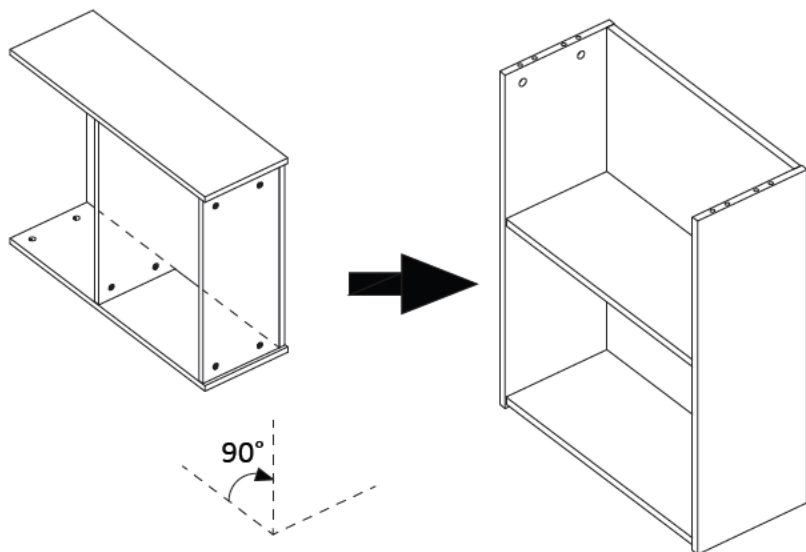


Jx6

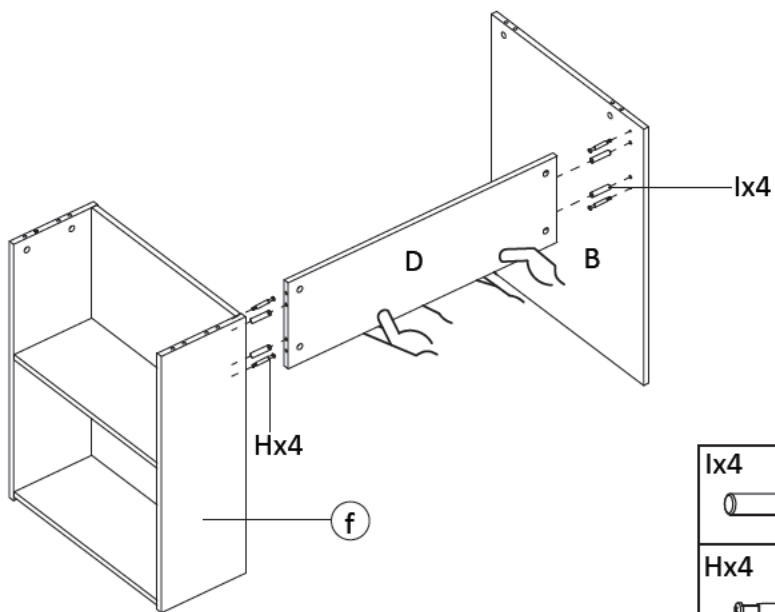


f

5



6



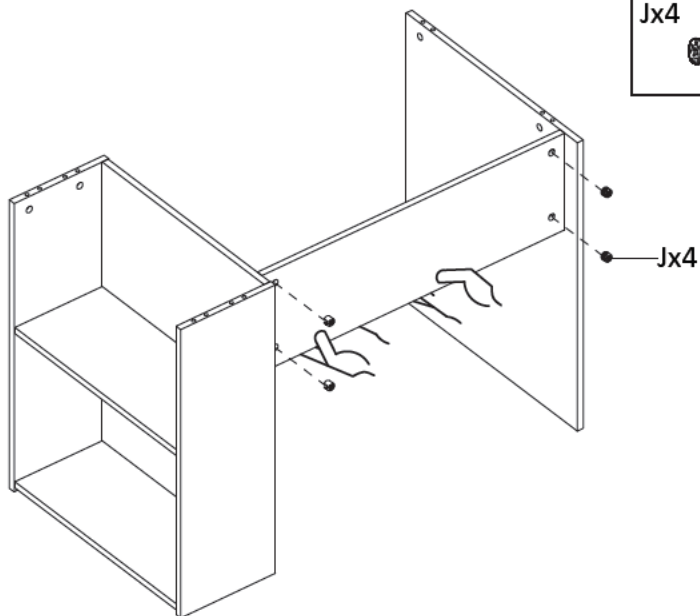
lx4



Hx4



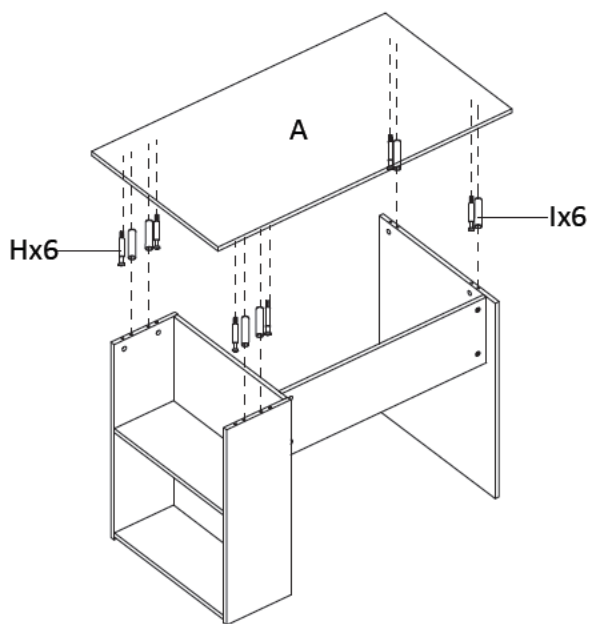
7



Jx4



8



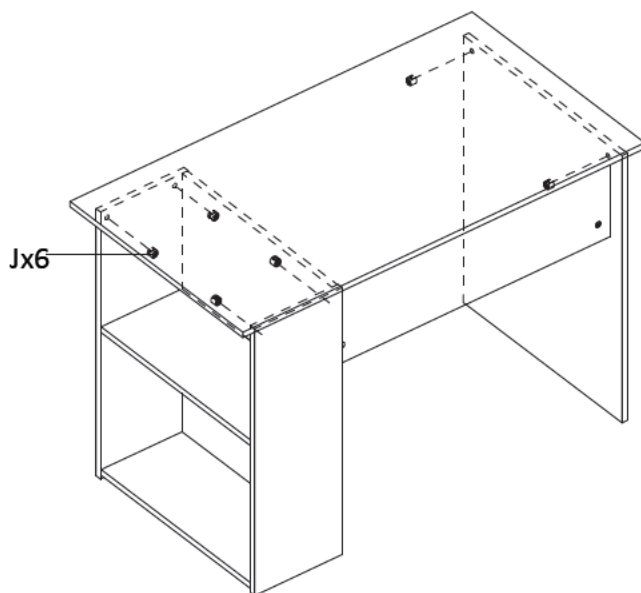
Ix6



Hx6



9



Jx6



10

